



ENERGY CAMPUS

Platinum Certified building in Europe by German Green building Council *, Holzminden ,Germany

About us – STIEBEL ELTRON is Full of Energy

The timeline features a central horizontal axis with red square markers at each year. Vertical lines connect these markers to text boxes and images above and below the axis. The top row of events includes the company's founding (1924), the launch of the DH 18 water heater (1949), the launch of the LWZ 303 appliance (1987), and the opening of the Energy Campus (2015). The bottom row includes the invention of the coil immersion heater (1924), the development of heat pumps (1976), the introduction of the LWZ 303 (1999), and the acquisition of Thermia (2018). Images include a portrait of Dr. Theodor Stibel, various water heaters, a person operating a heat pump, and the Energy Campus building.

1924 The "ELTRON" company is founded on 5 May 1924 in Berlin.

1949 STIEBEL ELTRON launches the DH 18, the first hydraulic instantaneous water heater.

1976 STIEBEL ELTRON is among the first manufacturers to develop and produce heat pumps.

1987 STIEBEL ELTRON launches the world's first fully electronic instantaneous water heater.

1999 The LWZ 303 is the first appliance to combine all building service systems, such as ventilation, central heating and domestic hot water in a single appliance.

2015 Opening of the STIEBEL ELTRON Energy Campus - training and communication centre in Holzminden.

2018 Thermia Heat Pumps' based in Arvika, Sweden, becomes part of the STIEBEL ELTRON Group.

STIEBEL ELTRON The Group

- We are a global market leader and technology pioneer in home comfort and renewable energies.
- What makes us stand out is our technical proficiency, premium quality, innovation, reliability and customer-oriented service.



Global Production Facilities



Holzminden

Germany

Global sales and administrative organisation

Production facility for heat pumps, instantaneous water heaters, domestic hot water cylinders etc.



Eschwege

Germany

Plastic Parts and
Small Water Heaters



Ayutthaya

Thailand

Small Instantaneous Water
Heaters and Shower Units



Poprad

Slovakia

DHW Cylinders
and Heat Pumps



Tianjin

China

Electric Room Heaters



Arvika

Sweden

Heat Pumps

STIEBEL ELTRON

Custom made building solutions from 3500 different products



Tankless Water Heater



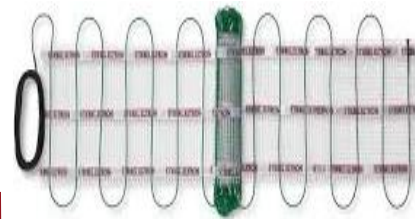
Heat Pumps



Water Filtration



Storage Water Heater



Electric Heating



Ventilation



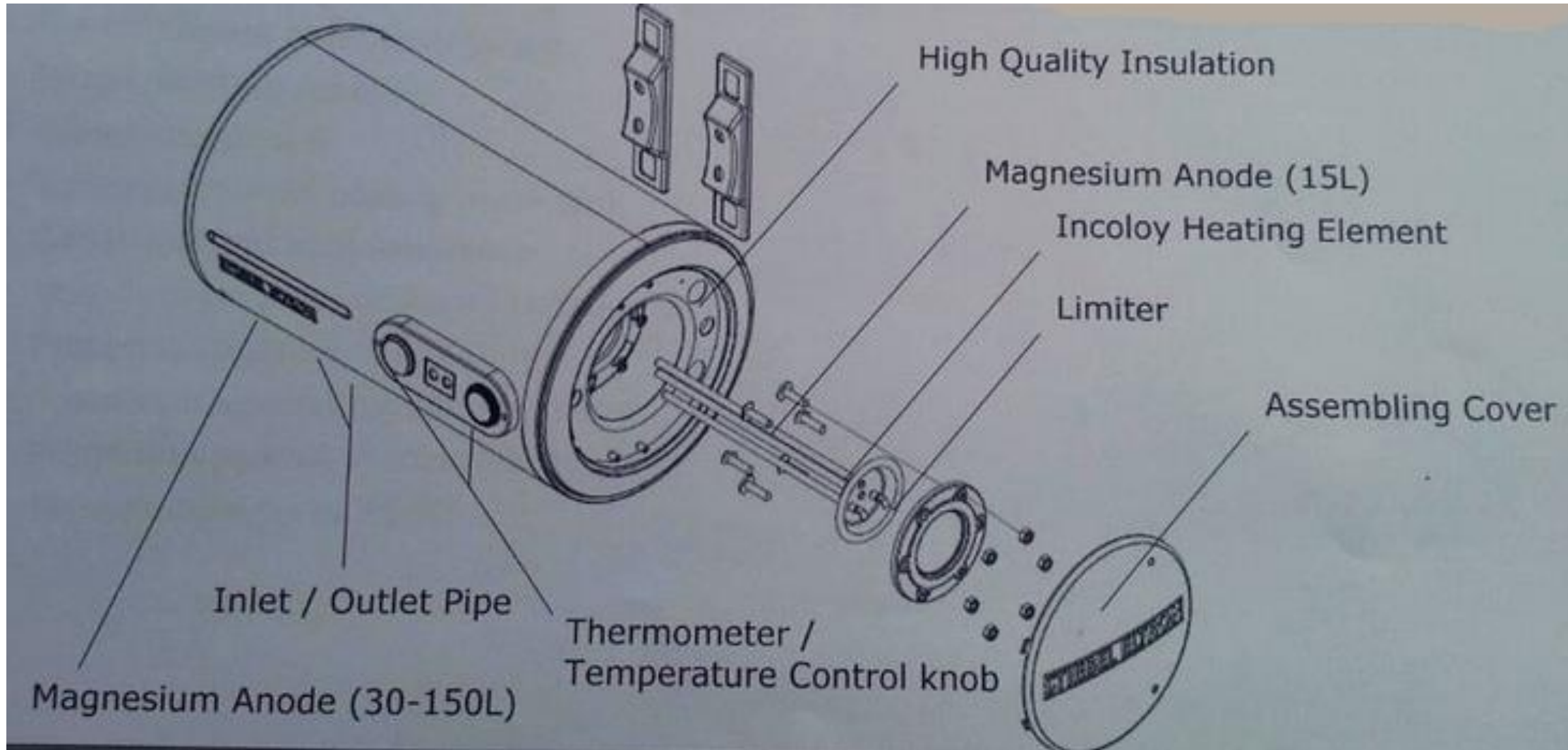
Hand Dryer

EHS – Storage water heater

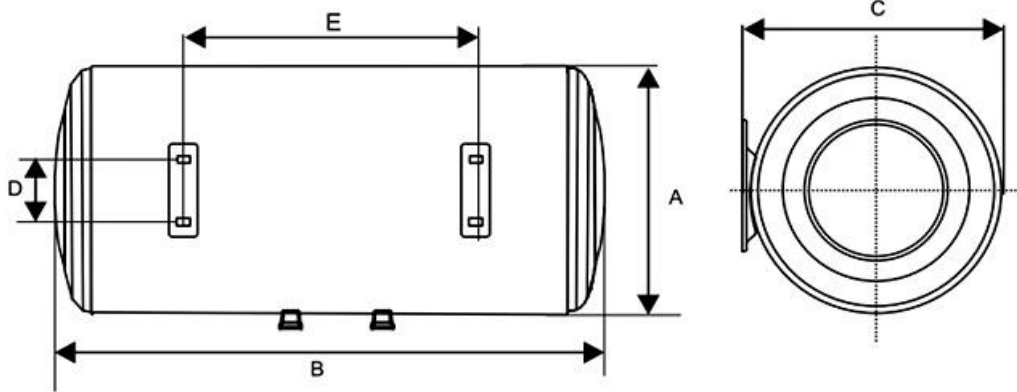


- Pressurized Enameled Steel Tank
- Non Fluoride Polyurethane Insulation
- Permissible operating pressure : 7 Bar
- Magnesium protective anode
- Temperature control knob
- Temperature range: Up to 75 °C cut off at 93 °C
- ELCB, Thermostat & Temperature cut out
- Safety valve included

15, 30, 50, 60, 80, 100, 150 Liter



Dimensions in mm - EHS



Type	EHS	15	30	50	80	100	150
A	mm	310	370	410	480	480	480
B	mm	526	649	749	826	974	1294
C	mm	330	385	425	495	495	495
D	mm	164	204	204	204	204	204
E	mm	116	177	334	297	447	767

EHS-15, 30, 50, 60, 80, 100, 150 Liter

Type	Unit	EHS 15	EHS 30	EHS 50	EHS 80	EHS 100	EHS 150
Capacity	Liter	15	30	50	80	100	150
Weight, empty	Kg	10.8	12.6	17.1	23.3	27.6	34.9
Power Rating	kW	1.5	2	2	2	2	2
Voltage	V	220	220	220	220	220	220
Permissible operating pressure	Bar	7	7	7	7	7	7
Protection level		IPX 4	IPX 4	IPX 4	IPX 4	IPX 4	IPX 4
Inner Cylinder enamel coated		Yes	Yes	Yes	Yes	Yes	Yes
Anode		Mg	Mg	Mg	Mg	Mg	Mg
Temperature range	Degree Celsius	Up to 75	Up to 75	Up to 75	Up to 75	Up to 75	Up to 75

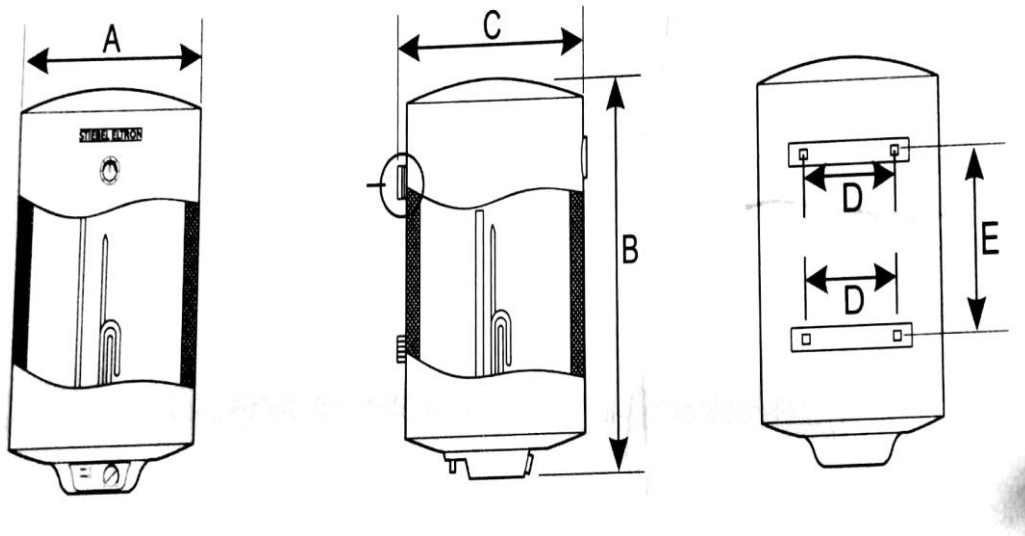
EVS – Storage water heater



15, 30, 50, 60, 80, 100, 150 Liter

- Pressurized Enameled Steel Tank
- Non Fluoride Polyurethane Insulation
- Permissible operating pressure : 7 Bar
Magnesium protective anode
- Temperature control knob
- Temperature range: Up to 75 °C cut off at 93 °C
- ELCB, Thermostat & Temperature cut out
- Safety valve included

Dimensions in mm - EVS



Type	EVS	15	30	50	80	100	150
A	mm	305	365	390	460	460	460
B	mm	543	615	745	740	880	1230
C	mm	337	390	415	485	485	485
D	mm	170	198	198	198	198	198
E	mm					417	767

EVS-15, 30, 50, 60, 80, 100, 150 Liter

Type	Unit	EVS 15	EVS 30	EVS 50	EVS 80	EVS 100	EVS 150
Capacity	Liter	15	30	50	80	100	150
Weight, empty	Kg	10.8	12.6	17.1	23.3	27.6	34.9
Power Rating	kW	1.5	2	2	2	2	2
Voltage	V	220	220	220	220	220	220
Permissible operating pressure	Bar	7	7	7	7	7	7
Protection level		IPX 4	IPX 4	IPX 4	IPX 4	IPX 4	IPX 4
Inner Cylinder enamel coated		Yes	Yes	Yes	Yes	Yes	Yes
Anode		Mg	Mg	Mg	Mg	Mg	Mg
Temperature range	Degree Celsius	Up to 75	Up to 75	Up to 75	Up to 75	Up to 75	Up to 75

Thank you very much!

STIEBEL ELTRON INDIA PVT LTD.

704. Phoenix East Court.

Viman Nagar.Pune 411014.

Maharashtra.India.

Tel : +91-20-67480909

Email : info@stiebel-eltron.in

www.stiebel-eltron.in