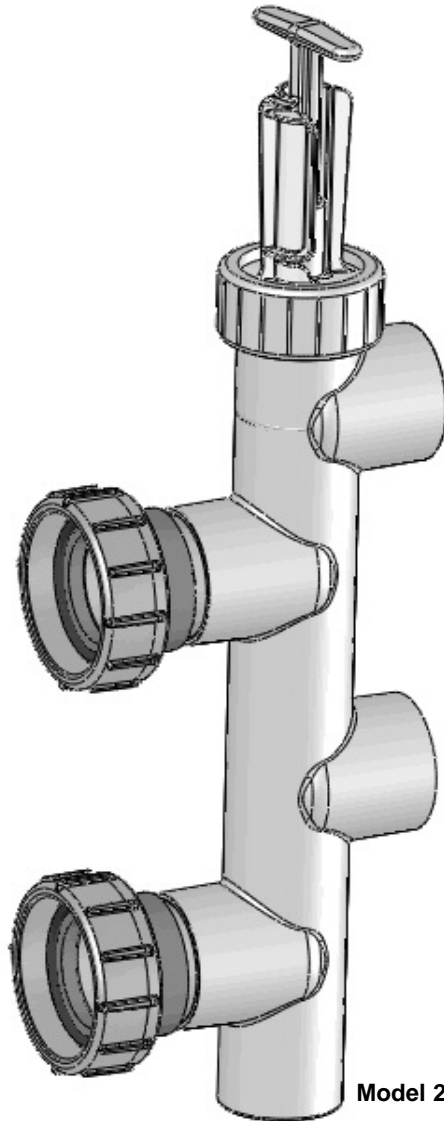


STA-RITE®

TWO POSITION SLIDE VALVE FOR POOL FILTERS

OWNER'S MANUAL



Model 263053 and 263078

This manual should be given to the user of this valve.

Technical Support (800) 831-7133

© 2012 Pentair Water Pool and Spa, Inc. All rights reserved.

1620 Hawkins Ave., Sanford, NC 27330 • (919) 566-8000

10951 West Los Angeles Ave., Moorpark, CA 93021 • (805) 553-5000

visit www.pentairwater.com - www.staritepool.com

Sta-Rite®, Pentair Water Pool and Spa® are registered trademarks of Pentair Water Pool and Spa, Inc. and/or its affiliated companies in the United States and/or other countries. Unless noted, names and brands of others that may be used in this document are not used to indicate an affiliation or endorsement between the proprietors of these names and brands and Pentair Water Pool and Spa, Inc. Those names and brands may be the trademarks or registered trademarks of those parties or others.

270163 Rev. C 5/31/12


TWO POSITION SLIDE VALVE


To avoid unneeded service calls, prevent possible injuries, and get the most out of your filter, READ THIS MANUAL CAREFULLY!


Table of Contents

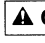
Safety Instructions	2
Outline Dimensions	3
General Information	3
Operation	4
Maintenance	4
Repair Parts List	5-6
Performance Curves	7
Warranty	8

READ AND FOLLOW ALL INSTRUCTIONS!

 This is the safety alert symbol. When you see this symbol on your system or in this manual, look for one of the following signal words and be alert to the potential for personal injury.


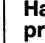
 **DANGER** warns about hazards that **will** cause death, serious personal injury, or major property damage if ignored.

 **WARNING** warns about hazards that **can** cause death, serious personal injury, or major property damage if ignored.

 **CAUTION** warns about hazards that **will** or **can** cause minor personal injury or property damage if ignored.

NOTICE indicates special instructions not related to hazards.

Carefully read and follow all safety instructions in this manual and on equipment. Keep safety labels in good condition; replace if missing or damaged.

 **WARNING** **Incorrectly installed or tested equipment may fail, causing severe injury or property damage.**
 **Hazardous pressure** Read and follow instructions in owner's manual when installing and operating equipment. Have a trained pool professional perform all pressure tests.

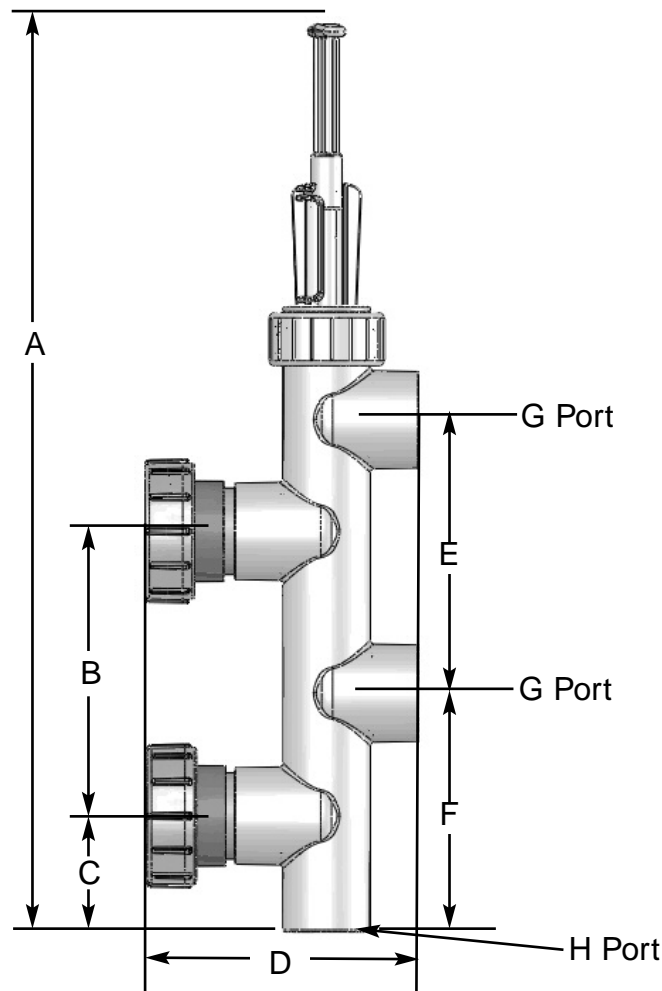
1. Do not connect system to a high pressure or city water system.
2. Use equipment only in a pool or spa installation.
3. Trapped air in system can cause explosion. BE SURE all air is out of system before operating or testing equipment.

Before pressure testing, make the following safety checks:

- Check all clamps, bolts, lids, and system accessories before testing.
- Release all air in system before testing.
- Tighten Sta-Rite trap lids to 30 ft. lbs. (4.1 kg-cm) torque for testing.
- Water pressure for test must be less than 25 PSI (172 kPa).
- Water Temperature for test must be less than 100° F. (38° C).
- Limit test to 24 hours. After test, visually check system to be sure it is ready for operation. Remove trap lid and retighten hand tight only.

NOTICE: These parameters apply to Sta-Rite® equipment only. For non-Sta-Rite equipment, consult manufacturer.

OUTLINE DIMENSIONS



Model No.	Size	A	B	C	D	E	F	G Port	H Port
263053	2	24.4	7.81	3.25	7.4	7.5	6.6	2 Slip Femle	2 Slip Male
263078	2	24.4	7.81	3.25	7.6	7.5	6.6	2 Slip Femle	2 Slip Male

GENERAL

Valve P/N 263053 may be used with Sta-Rite DE or sand filters. See Table I.

Mating half of unions are on filters shown on Table I.

Valve P/N 263078 may be used with Sta-Rite DE or sand filters. See Table 2.

Connecting Plastic Slide Valve To Filter System

For Filters listed in Table 2, select correct clamp connector kit from the chart. Use with valve P/N 263078, 14821-0000, 14826-0000 and 14936-0000 (purchase separatley).

TABLE 1

Sta-Rite Filters		
DE Filters		Sand Filters
DEP36-01	PLDE36	HRP20-01
DEP51-01	PLDE48	HRP24-01
DEP83-01	S7075	HRP30-01
	S80110	
DES25-01	S7MD60	HRS16-01
DES51-01	S7MD72	HRS20-01
DES60-01		HRS24-01
		S7S50
		S8S70

TABLE 2. Filter and Clamp to use with Valves

2" Valve No. 263078, 14826-0000, 14036-0000		1-1/2" Valve No. 14821-0000	
Filter	Kit	Filter	Kit
DEP36		DES25	
DEP51		DES36	
DEP83			24750-0331
DES51		HRS16	
DES60	24750-0341	HRS20	
HRP20		DEP36	
HRP24		DEP51	
HRP30		DES51	
		DES60	
			24750-0624
HRS24		DES60	
DES25		HRP20	
DES36		HRP24	
	24750-0341		
HRS16		HRS24	
HRS20		S8S70	

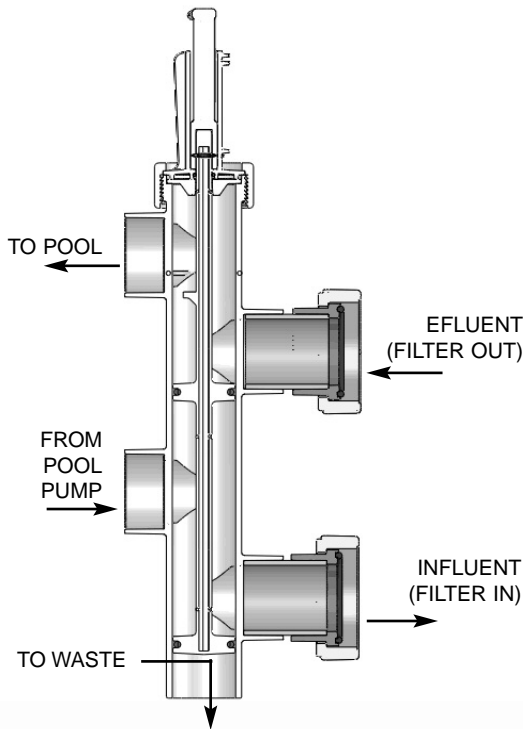


Figure 2 – “Filter” Position.
Water flow pattern shown with valve handle in fully depressed position.

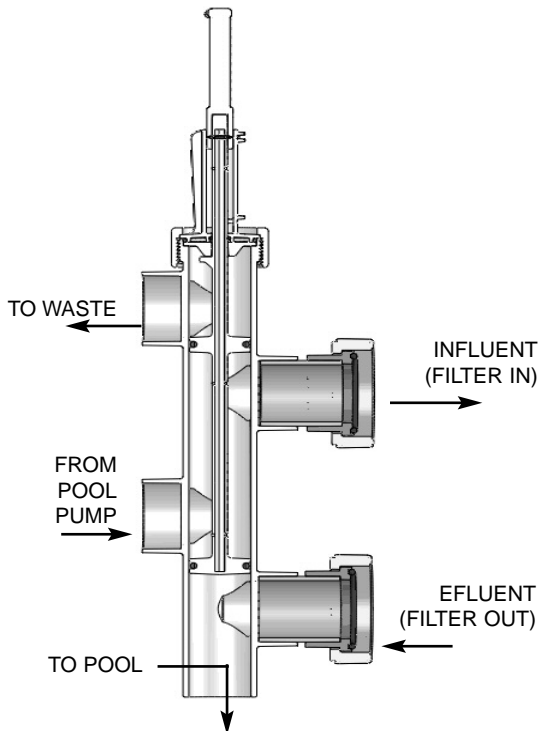


Figure 3 - “Filter” Position. Water flow pattern shown with valve handle in fully extended position.

OPERATION

Valves are two position valves. Valve handle must be fully extended or fully depressed. There is no in between, or throttling position. Connect center port to pump.

With valve stem depressed, (Figure 2), pump water is directed to bottom filter port. Top filter port is open to upper discharge. Lower discharge is idle.

With valve stem extended, (Figure 3), pump water is directed to top filter port. Bottom port is open to lower discharge.

MAINTENANCE

Filter Control Valve (Slide Valve):

Turn Pump OFF Before Proceeding.

1. Inspect bi-yearly. Check for ease of operation. If handle is difficult to move, follow steps 2 through 6 below.
2. Disassemble valve:
 - A. Remove three screws in index plate.
 - B. Remove piston assembly using a straight upward pull. Rotate assembly slightly for easy removal.
3. Inspect O-Ring for nicks, cuts, cracks, etc. Replace if necessary.
4. Inspect valve seating areas for grooves, nicks, etc. Remove any corrosion by sanding with No. 400 wet or dry emery cloth, using it wet.

NOTICE: Sand lightly so as not to destroy the seating area.
5. Lubricate O-Rings with waterproof lubricant or petroleum jelly, before reassembling valve.
6. Reassemble valve:
 - A. Insert piston assembly into valve body.
 - B. Replace three screws loosely.
 - C. Lift the valve handle into “BACKWASH” position. This will center the index plate with the piston shaft and valve bore.
 - D. Tighten three screws securely.
 - E. Place the piston assembly into the “FILTER” position. It should slide easily. If not, repeat above until piston moves freely.

Winterizing For Freezing Climates:

Place valve handle in an intermediate position, between “FILTER” and “BACKWASH” positions.

CONNECTING SLIDE VALVE TO FILTER SYSTEM

NOTICE: Filter ports and valve ports are furnished with union connections, matching the connections of the filter ports. DO NOT use pipe sealants on union collar (nut).

Use care before assembly not to damage union sealing surfaces or O-Ring. Install union O-Rings in groove; tighten union collar hand tight.

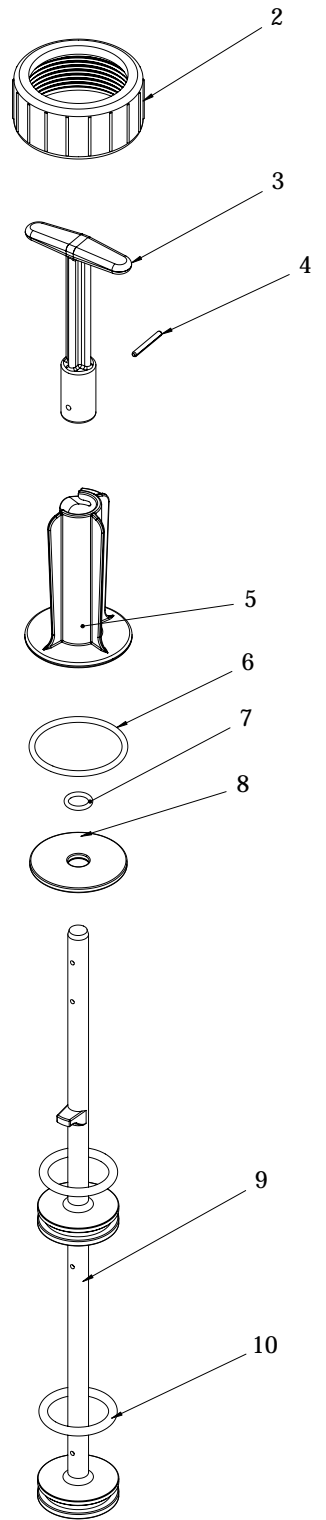
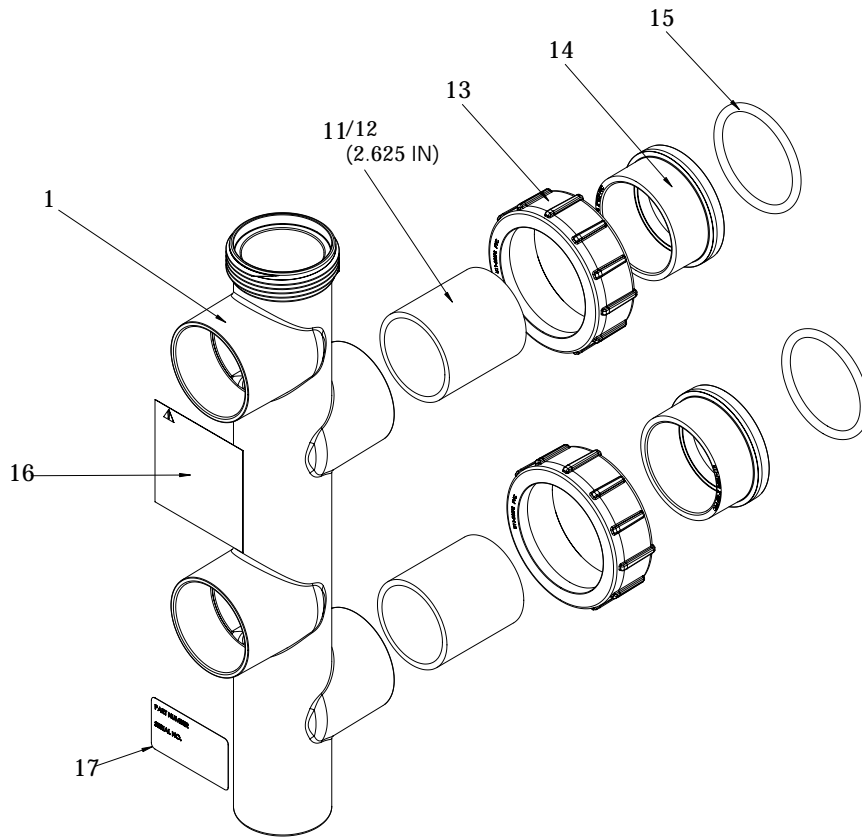
FOR SLIP FITTINGS: Use a suitable cement adhesive compatible with ABS and PVC when fitting piping or adapters to slide valve. Please test before installing. The valve body is ABS plastic. Use (purple) primer on PVC components only. Allow a minimum of four (4) hours to dry before pressure testing or operation. If ABS adapters are glued into valve ports instead of PVC fittings, use a suitable cement adhesive compatible with PVC.

WARNING! To avoid serious personal injury or property damage, follow cement manufacturer’s instructions exactly.

FOR THREADED FITTINGS: Use a suitable cement adhesive compatible with ABS and PVC. Other substances may degrade plastic and create poor joints and leaks. DO NOT OVERTIGHTEN!

PLASTICE VALVE REPAIR PARTS LIST

Model 263053 and 263078

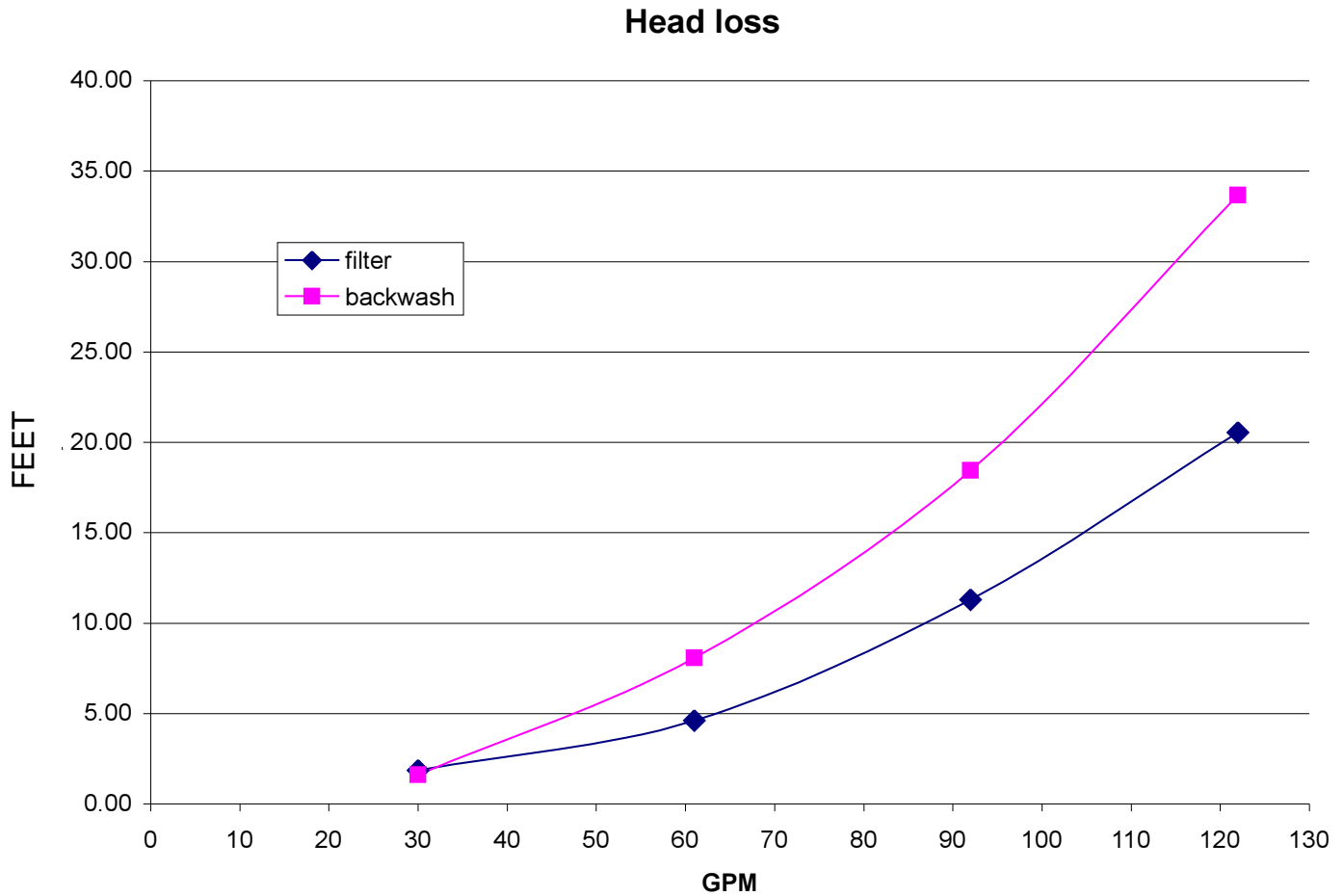


QTY. 263078	QTY. 263053	ITEM	PART No.	DESCRIPTION
1	1	1	270130	Body valve push pull 7.81 inch center
-	-	1	270171	Body Valve, Push Pull, 7.5 inch Center PVC, ALMOND
1	1	2	270141	Nut BLK SF PMP/VLV PSHPL
1	1	3	270134	Handle - Valve push pull
1	1	4	273063	Pin 1/8" locking
1	1	5	270131	Cap-valve push pull
1	1	6	273062	O-ring,-227,2.109x0.139, Buna N 70
1	1	7	6020006	O-ring,-112,0.487x1.103, Buna N 70
1	1	8	270132	Washer valve push pull
1	1	9	51012711	Piston shaft valve push pull
2	2	10	51005000	O-ring,-325,1.475x0.21, Buna N 70
2	-	11	270169	Adaptor, Hose Clamp
-	2	12	192393	Pipe PVC 10 3/8" SCH40
-	2	13	U11-200PS-B	Collar union 2"
-	2	14	U11-196PS-A	Adaptor union 2" SLIP
-	2	15	U9-362	O-ring #2-231 Buna N 70 Duro
-	1	16	270158	Label valve push pull
1	1	17	353007	Label, Serial
			263054	Kit, O-Rings, Items 4, 6, 7, 10 (includes two 10)
			263055	Kit, Piston Shaft ASY, Items 3, 4, 5, 6, 7, 8, 9, 10

Performance Curves

Five Port Two Position Valve

NOTE: Curves represent total loss of both halves of valve (double pass thru valve).



NOTES

STA-RITE®

