

SELF-PRIMING CENTRIFUGAL PUMPS

QUICK PRIME



The Quick Prime Self-Priming Centrifugal Pump delivers strong dependable performance for demanding jobs where a lot of water is required over a long period of time. The heavy duty 184JM motor, brass impeller, and large capacity rugged cast iron pump end deliver reliable and continuous high performance service. Not for use with corrosive chemicals or flammable liquids.

APPLICATIONS

Commercial and residential application that require large flow rates. These include sprinkler systems, irrigation systems, booster service, water transfer, dewatering, fire protection, car washing, and other large cleaning and maintenance jobs.

SPECIFICATIONS

- ◆ High tensile cast iron pump case and motor bracket.
- ◆ Brass impeller (optional engineered composite impeller available for certain models).
- ◆ Ceramic/glass thermoset diffuser, with stainless steel wear ring.
- ◆ Square rubber sealing rings.
- ◆ Carbon/ceramic shaft seal.

FEATURES

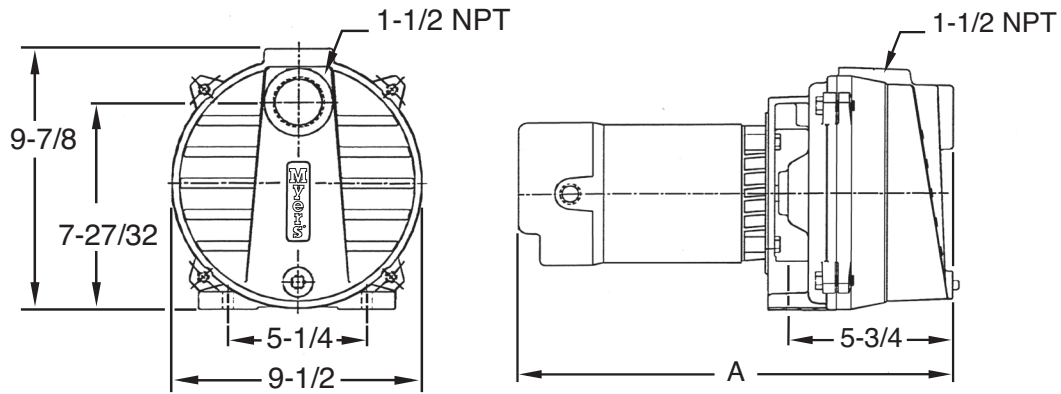
- ◆ **Powerful Performance:** Maximum head of 178 feet (77 psi) and flow capabilities to 135 GPM.
- ◆ **Ruggedly Built:** To meet the demands for long, hard continuous service without over-working or overloading the motor.
- ◆ **Simple Design:** Powerful, efficient operation and easy servicing. Convenient back pull-out design.
- ◆ **Heavy Duty Motor:** Full frame 184JM design, extra-large, double-ball bearings, non-overloading, continuous duty rating, strong capacitor start, single or three phase options.
- ◆ **Brass Impellers:** Precision machines and balanced for smooth, quiet operation. Corrosion resistant for long life.
- ◆ **Quick Priming:** Large case for maximum water retention to insure quick and easy priming, true self-priming design with top suction inlet retains water in case and maintains the prime, exclusive diffuser plate with stainless steel impeller wear ring for fast priming.
- ◆ **Mechanical Shaft Seal:** Precision lapped and polished carbon/ ceramic faces, Buna-N elastomers, and stainless steel metal components, top suction pump design prevents the seal from running dry.

| CATALOG NUMBER | | HP | PIPE SIZES | | MAXIMUM TOTAL SHUT-OFF HD. | | APPROX. WT. LBS. |
|----------------|---------|-------|------------|--------|----------------------------|------|------------------|
| 1 PHASE | 3 PHASE | | SUCT. | DISCH. | FEET | PSI | |
| QP7 | QP7-3 | 3/4 | 1-1/2" | 1-1/2" | 105 | 45.5 | 58 |
| QP10 | QP10-3 | 1 | 1-1/2" | 1-1/2" | 108 | 47 | 61 |
| QP15 | QP15-3 | 1-1/2 | 1-1/2" | 1-1/2" | 111 | 48 | 68 |
| QP20 | QP20-3 | 2 | 1-1/2" | 1-1/2" | 116 | 50 | 74 |
| QP30 | QP30-3 | 3 | 1-1/2" | 1-1/2" | 121 | 52 | 87 |
| QP50B | QP50B-3 | 5 | 2-1/2" | 2" | 178 | 77 | 58/61 |

CENTRIFUGAL PUMPS QUICK PRIME SELF-PRIMING

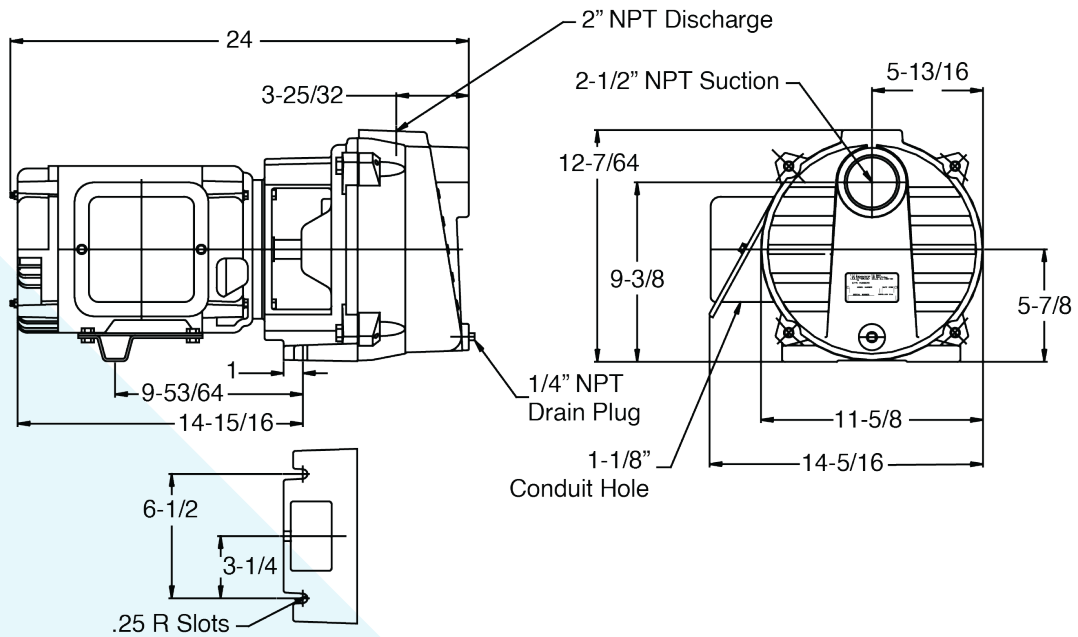
OUTLINE DIMENSIONS

QP7, QP10, QP15, QP20, & QP30 MODELS



| CAT. NO. | A |
|----------|--------|
| QP7 | 16.75 |
| QP10 | 16.75 |
| QP15 | 18.625 |
| QP20 | 18.625 |
| QP30 | 21.625 |

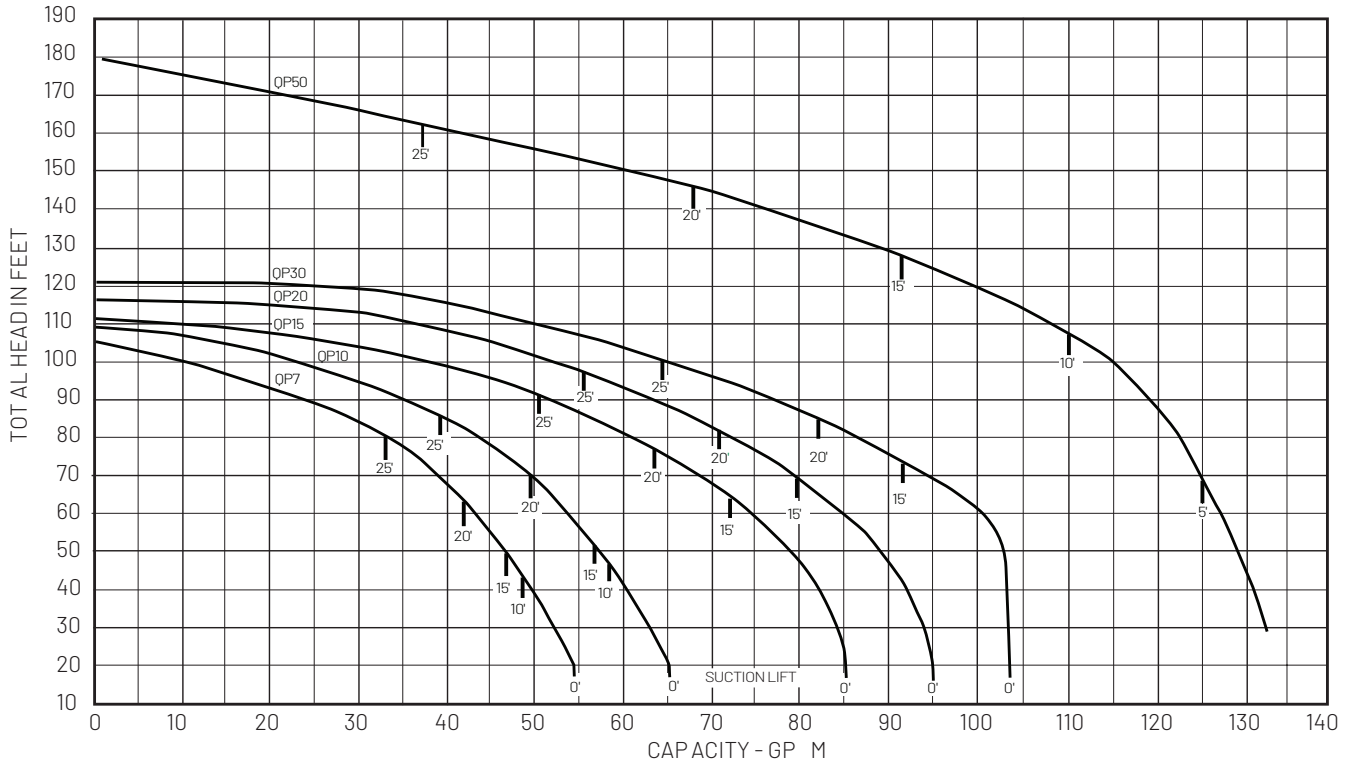
QP50B



Dimensions (in inches) are for estimating purposes only.

SPECIFICATIONS & PERFORMANCE

PUMP PERFORMANCE



CABLE SELECTION

| MOTOR RATING | | COPPER WIRE SIZE | | | | | | | |
|--------------|-------|------------------|-----|-----|------|------|------|------|------|
| VOLTAGE | PHASE | 14 | 12 | 10 | 8 | 6 | 4 | 2 | 0 |
| 230 | 1 | | | | 150 | 250 | | | |
| 208 | 3 | | | 160 | 250 | 400 | 640 | 1020 | 1630 |
| 230 | 3 | | 130 | 210 | 340 | 540 | 850 | 1360 | 2160 |
| 460 | 3 | 330 | 530 | 850 | 1350 | 2150 | 3422 | 5440 | 8650 |

This table is based on copper wire. If aluminum wire is used it must be two sizes larger. Example: When the table call for #12 copper wire you would use #10 aluminum wire.

CENTRIFUGAL PUMPS QUICK PRIME SELF-PRIMING

PUMP PERFORMANCE

| CATALOG NUMBER | | HP | DISCH. PRESSURE PSI | CAPACITY IN GPM FOR DISCHARGE PRESSURE AND TOTAL SUCTION LIFT INDICATED | | | |
|----------------|---------|-------|---------------------|---|--------|--------|--------|
| 1 PHASE | 3 PHASE | | | 10 FT. | 15 FT. | 20 FT. | 25 FT. |
| QP7 | QP7-3 | 3/4 | 20 | 40.75 | 38.1 | 36.1 | 33.2 |
| | | | 25 | 35.75 | 33.5 | 30.9 | 27.5 |
| | | | 30 | 30.75 | 27.25 | 23.1 | 18 |
| | | | 35 | 21.5 | 15.1 | 8.5 | - |
| | | | 40 | 6.5 | - | - | - |
| QP10 | QP10-3 | 1 | 20 | 51.2 | 48.9 | 46.4 | 39.25 |
| | | | 25 | 46.2 | 43.5 | 40.6 | 37.4 |
| | | | 30 | 40.5 | 37.5 | 33.6 | 29.2 |
| | | | 35 | 33 | 27.6 | 20.6 | 10 |
| | | | 40 | 19 | 5 | - | - |
| QP15 | QP15-3 | 1-1/2 | 20 | 71.6 | 69.4 | 63.4 | 50.25 |
| | | | 25 | 66.5 | 62.5 | 58.75 | 50.25 |
| | | | 30 | 59.5 | 55 | 50.5 | 45 |
| | | | 35 | 50.5 | 43.6 | 37 | 24.9 |
| | | | 40 | 36.8 | 25.9 | - | - |
| QP20 | QP20-3 | 2 | 20 | 78.9 | 76.6 | 70.5 | 55.5 |
| | | | 25 | 74.6 | 71.5 | 67 | 55.5 |
| | | | 30 | 68.5 | 63.5 | 58.4 | 53 |
| | | | 35 | 58.5 | 52.9 | 47 | 40 |
| | | | 40 | 47.5 | 40.5 | 32.5 | - |
| QP30 | QP30-3 | 3 | 20 | 93 | 91 | 82 | 64 |
| | | | 25 | 92.9 | 91 | 82 | 64 |
| | | | 30 | 89.8 | 85.5 | 78.6 | 64 |
| | | | 35 | 81 | 73.3 | 65.6 | 57 |
| | | | 40 | 67.9 | 59.1 | 48.5 | 37.5 |
| | | | 45 | 47.9 | 30 | - | - |
| QP50B | QP50B-3 | 5 | 10 | 110 | 91 | 67 | - |
| | | | 20 | 108 | 90 | 65 | - |
| | | | 30 | 107 | 88 | 63 | - |
| | | | 40 | 103 | 84 | 62 | - |
| | | | 50 | 88 | 80 | 40 | - |

NOTE: Single phase units are dual voltage (115/230 volt) 2 and 3 HP are 230 volt only.
 NOTE: All units are loaded within the motor service factor and are rated for continuous operation.



293 Wright Street
 Delavan, WI 53115
 Ph: 866.973.6835
 Fx: 800.426.9446

490 Pinebush Rd., Unit 4
 Cambridge, Ontario
 Canada N1T 0A5
 Ph: 800.363.7867
 Fx: 888.606.5484

pentair.com

All indicated Pentair trademarks and logos are property of Pentair. Third party registered and unregistered trademarks and logos are the property of their respective owners. Because we are continuously improving our products and services, Pentair reserves the right to change specifications without prior notice. Pentair is an equal opportunity employer.

©2022 Pentair. All Rights Reserved.

M9137WS (12-15-22)