

BERKELEY® PROJET™ SN Series

Cast iron, self-priming shallow well jet pumps



The ProJet SN Series Pumps provide excellent performance with good pressure for wells to 25' deep. Self-priming after the priming chamber has been filled with water.

APPLICATIONS

Water systems and sprinkling... for homes, farms and cottages.

SPECIFICATIONS

Max. Liquid Temperature: 140°F

Max. Inlet Pressure: 50 PSI

Average Priming Time (in minutes) at 15 Feet:

5SN = 2.3; 7SN = 1.7
10SN = 1.3; 15SN = 1.1

Average Priming Time (in minutes) at 25 Feet:

5SN = 6.4; 7SN = 4.4
10SN = 4.4; 15SN = 2.6

Body: Close-grained cast iron

Nozzle: High-strength Lexan®

Venturi: Lexan

Impeller: Noryl®

Diffuser: Reinforced polypropylene

Shaft: One-piece threaded, 416 grade stainless steel

Base: Steel, 12 gauge

FEATURES

Quality Construction: Close-grained cast iron body. Drain port provided for easy winterizing.

Built-in Jet: High-strength Lexan nozzle and venturi for maximum resistance to corrosion and abrasion. Cleanout plug provided for ease of service.

Noryl Impeller: Precision-molded for perfect balance...ultra-smooth for highest performance and efficiency.

Precision-Molded Diffuser: Pump primes faster, handles more air, with multi-port, precision-molded, reinforced polypropylene diffuser.

Mechanical Shaft Seal: Precision lapped and highly polished carbon-ceramic, stainless steel construction. Internal design guarantees continuous water lubrication.

Motor Windings: Superior insulation materials protect against excessive moisture and contaminants...assure prolonged motor life.

Balanced Rotor: Diecast under high pressures for uniform performance and greater efficiency, dynamically balanced.

Heavy-Duty Ball Bearings: Shielded, permanently lubricated bearings, extensively tested to ensure extended life and smooth, quiet operation.

Pump and Motor Shaft: Stainless steel for maximum corrosion resistance; one-piece threaded shaft for positive impeller drive and alignment.

Dustproof Cover: All electrical components are protected from dirt, dust and insects by a dustproof canopy; ventilating air cannot contaminate vital switching components.

Pressure Switch: Professional quality, allows cut-in adjustments.

ORDERING INFORMATION

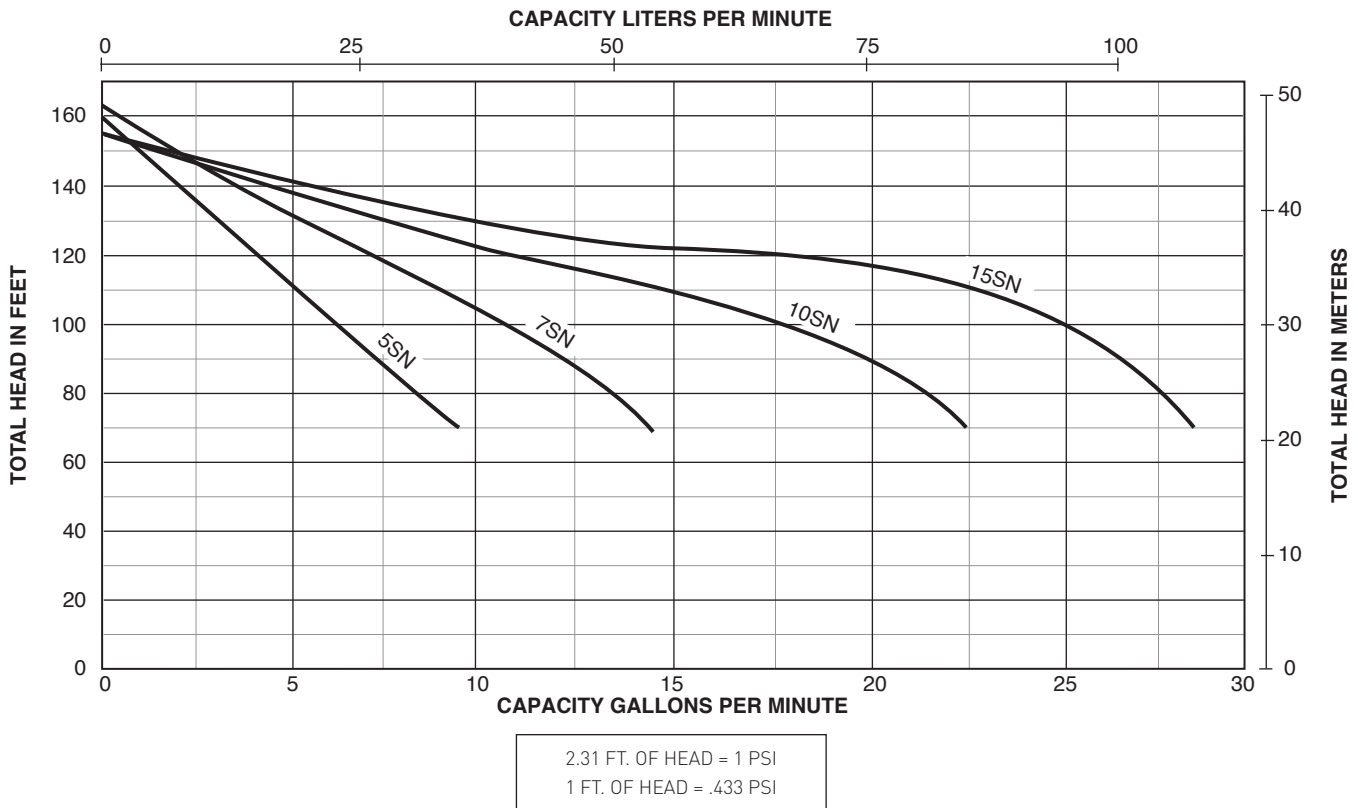
CATALOG NUMBER	HP	SWITCH SETTING	DESCRIPTION	PIPE TAPPING SIZES		MOTOR VOLTAGE	APPROX. WT. LBS.
				SUCTION	DISCHARGE		
5SN	1/2	30-50	Shallow Well Jet	1-1/4"	1"	115/230	45
7SN	3/4	30-50	Shallow Well Jet	1-1/4"	1"	115/230	47
10SN	1	30-50	Shallow Well Jet	1-1/4"	1"	115/230	55
15SN	1-1/2	30-50	Shallow Well Jet	1-1/4"	1"	115/230	60

Pentair trademarks and logos are owned by Pentair plc or its affiliates. All other third party registered and unregistered trademarks and logos are the property of their respective owners.

BERKELEY® PROJET™ SN Series

Cast iron, self-priming shallow well jet pumps

PUMP PERFORMANCE



PUMP PERFORMANCE (Capacity in gallons per minute)

CATALOG NUMBER	HP	DISCH. PRESSURE PSI	DYNAMIC SUCTION LIFT					SHUT-OFF PRESSURE PSI
			5'	10'	15'	20'	25'	
5SN	1/2	30	9.7	8.3	7.4	5.9	4.3	70
		40	7.9	7.2	6.4	5.6	4.1	
		50	4.5	3.8	3.1	2.7	1.8	
7SN	3/4	30	15.0	13.0	11.6	8.7	6.9	70
		40	12.5	11.4	10.1	8.2	6.8	
		50	8.0	6.8	6.1	4.8	3.5	
10SN	1	30	21.4	19.1	16.5	13.3	9.5	67
		40	20.8	18.7	15.8	13.2	9.3	
		50	13.5	11.6	10.1	7.4	2.4	
15SN	1-1/2	30	28.5	25.0	21.4	17.4	12.6	67
		40	28.3	24.4	21.0	17.2	12.3	
		50	21.5	18.3	10.9	3.1	1.6	

Pump will operate at all depths shown, with pressure switch set at 30-50 PSI.

Tested and rated in accordance with Water Systems Council Standards.

NOTE: Pumps installed with a Pro-Source® tank require a 100 PSI relief valve.

Pumps installed with a conventional tank require a 75 PSI relief valve.

Relief valve must be capable of relieving entire flow of pump at relief pressure.

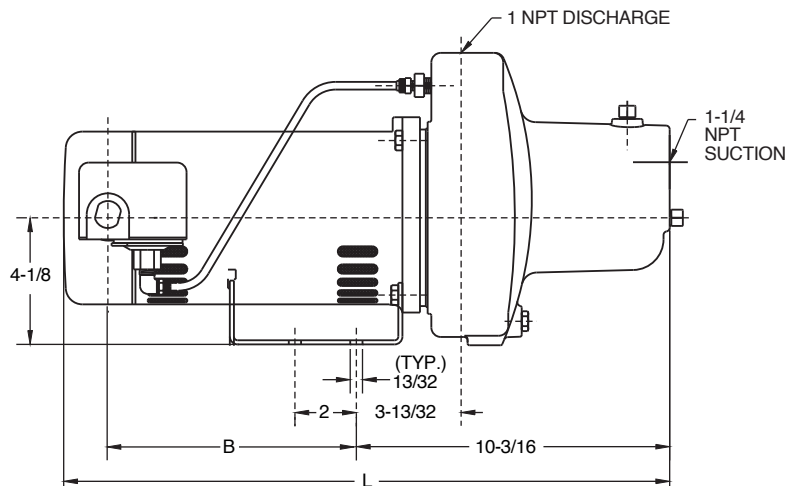
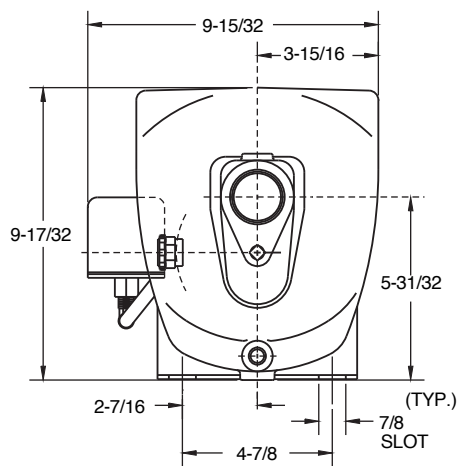
BERKELEY® PROJET™ SN Series

Cast iron, self-priming shallow well jet pumps

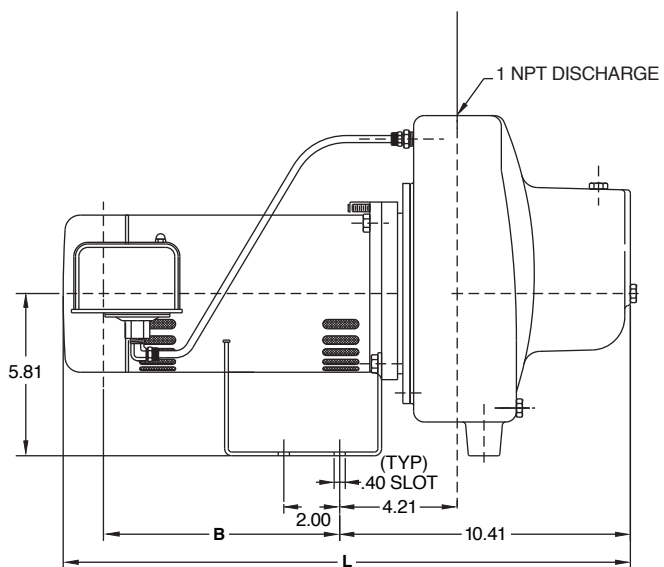
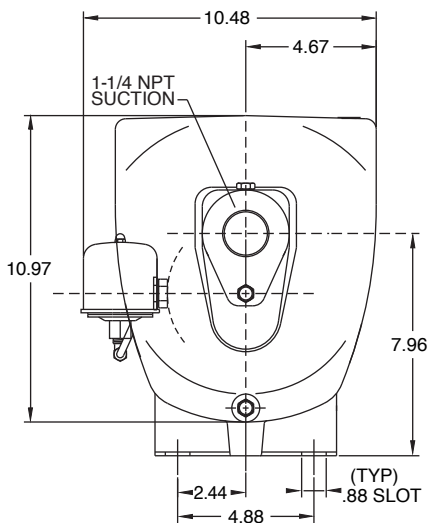
OUTLINE DIMENSIONS

CATALOG NUMBER	L	B
5SN	18.7	7.1
7SN	18.7	7.1
10SN	21.3	7.0
15SN	22.4	8.0

5SN and 7SN



10SN and 15SN



Dimensions (in inches) are for estimating purposes only.



US: 293 WRIGHT STREET, DELAVAN, WI 53115 WWW.BERKELEYPUMPS.COM PH: 888-782-7483 ORDERS FAX: 800-426-9446
CANADA: 490 PINEBUSH ROAD, UNIT 4, CAMBRIDGE, ONTARIO N1T 0A5 PH: 800-363-7867 ORDERS FAX: 888-606-5484
Because we are continuously improving our products and services, Pentair reserves the right to change specifications without prior notice.