

### Pentair Water

1101 Myers Parkway  
Ashland, OH 44805  
Phone: 1-419-289-6898  
Fax: 1-419-289-6658  
Web Site: <http://www.myerspump.com>

# Basin Pro with E-Z Switch

## INSTALLATION, OPERATION, & PARTS MANUAL

### SAFETY INFORMATION

Carefully read and follow all safety instructions in this manual or on pump.

**⚠** This is the safety alert symbol. When you see this symbol on your pump or in this manual, look for one of the following signal words and be alert to the potential for personal injury!

**⚠ DANGER** warns about hazards that **will** cause serious personal injury, death or major property damage if ignored.

**⚠ WARNING** warns about hazards that **can** cause serious personal injury, death or major property damage if ignored.

**⚠ CAUTION** warns about hazards that **will** or **can** cause minor personal injury or property damage if ignored.

The word **NOTICE** indicates special instructions which are important but not related to hazards.

1. **Read these rules and instructions carefully.** Failure to follow them could cause serious bodily injury and/or property damage.
2. Check your local codes before installing. You must comply with their rules.

**⚠ WARNING** Hazardous voltage. Can shock, burn, or kill. During operation the pump is in water. To avoid fatal shocks, proceed as follows if pump needs servicing:

- 3A. Disconnect power to outlet box before unplugging pump.
- 3B. Take extreme care when changing fuses. Do not stand in water or put your finger in the fuse socket.
- 3C. Do not modify the cord and plug. When using the cord and plug, plug into a grounded outlet only. When wiring to a system control, connect the pump ground lead to the system ground.
4. Do not run the pump dry. Dry running can overheat the pump, (causing burns to anyone handling it) and will void the warranty.
5. The pump normally runs hot. To avoid burns when servicing pump, allow it to cool for 20 minutes after shut-down before handling it.

6. The pump is permanently lubricated. No oiling or greasing is required in normal operation. For overhaul, see instructions under "Service".
7. Vent sewage or septic tank according to local codes.
8. Do not install the basin or pump in any location classified as hazardous by the United States National Electrical Code (NEC), or by the Canadian Electrical Code (CEC), where applicable.

### PUMP SPECIFICATIONS

Power Supply Required .....115V  
Individual Branch Circuit Required: .....15 Amps  
Maximum Liquid Temperature: .....140°F(60°C)  
Discharge Adapter..... 2" NPT

### DESCRIPTION

The Myers Basin Pro with E-Z Switch is ideal for basement installations, pumping below-grade toilets, and laundry facilities. It includes a submersible sewage pump and a premium heavy duty structural foam, corrosion resistant sump/sewage basin and lid for easy installation.

This submersible pump is designed for effluent and wastewater removal, sump drainage, dewatering and flood control. The pump has built in thermal overload protection and an automatic reset. The mechanical seal and bearings on the motor shaft are permanently lubricated. Stainless steel hardware and a heavy duty lift out handle allow for easy disassembly after extended use.

The basin is used for residential, commercial, and industrial collection of sewage, effluent drainage and seepage water. The basin cover kit includes an inlet hub, a gas tight cover, cord seals, gaskets, and hardware. No special tools or sealants are required.

**NOTICE:** This unit is not designed for applications involving salt water or brine! Use with salt water or brine will void warranty.

### PUMP, MOTOR, SWITCH, & CORD SPECIFICATIONS

Model Number	Motor HP	Motor Full Load Amps	Individual Branch Circuit Required (Amps)	Cord Length in ft. (m)	Switch Setting in inches (mm)		Discharge Adapter Size
					On	Off	
SRM-BP	4/10	12.0	15	20 (6.1)	11-3/4" (298)	5-3/4" (145)	2" NPT
CMV-BP	1/2	12.0	15	20 (6.1)	11-3/4" (298)	5-3/4" (145)	2" NPT

## PERFORMANCE

Model	GPM AT TOTAL FEET		No flow at height shown below
	10'	15'	
CAPACITY GALLONS/MINUTE			
SRM-BP	60	29	19'
CMV-BP	60	30	19'

\*For performance at maximum temperature see Catalog.

## INSTALLATION

**▲WARNING** Hazardous voltage. Can shock, burn or kill.

Do not lift pump by the power cord. See "Cord Lift Warning" on Page 3.

**NOTICE:** Install the pump on a hard, level surface (cement, asphalt, or inside a sump basin, etc.). Never place the pump directly on earth, clay or gravel surfaces.

### Piping

Piping must not be smaller than pump discharge.

When installed in a **sewage** system, the pipe must be capable of handling semi-solids of at least 2" (51mm) in diameter.

The rate of flow in the discharge pipe must keep any solids present in suspension in the fluid. To meet minimum flow requirements (2 feet per second in the discharge line), size the pipe as follows:

A Pipe Size Of:	Will Handle a Flow Rate Of:
1-1/2" (38mm)	12 GPM
2" (51mm)	21 GPM
2-1/2"(64mm)	30 GPM
3"(76mm)	48 GPM

In a **sewage** system use a 2" (51mm) check valve (purchase separately) in the discharge pipe to prevent backflow of liquid into sump basin. The check valve should be a free flow valve that will easily pass solids. Be sure check valve installation complies with local codes.

**NOTICE:** For best performance of check valve when handling solids, do not install it with the discharge more than 45° above the horizontal. Do not install the check valve in a vertical position as solids may settle in the valve and prevent it from opening on startup.

### Electrical

**▲WARNING** Hazardous voltage. Can shock, burn, or kill.

When installing, operating, or servicing this pump, follow the safety instructions listed below.

1. **DO NOT** splice the electrical power cord.
2. **DO NOT** allow the electrical cord plug to be submerged.
3. **DO NOT** use extension cords. They are a fire hazard and can reduce voltage sufficiently to prevent pumping and/or damage motor.
4. **DO NOT** handle or service the pump while it is connected to the power supply.
5. **DO NOT** remove the grounding prong from the plug or modify the plug. To protect against electrical shock, the power cord is a three-wire conductor and includes a 3-prong grounded plug. Plug the pump into a 3-wire, grounded, grounding-type receptacle. Connect the pump according to the NEC or CEC and local codes.

For automatic operation, plug or wire the pump into an automatic float switch or duplex controller. The pump will run continuously when plugged directly into an electrical outlet.

Connect or wire pump to its own individual branch circuit with no other outlets or equipment in the circuit. Size fuses or circuit breakers according to the "Motor, Switch and Cord Specifications" chart.

**▲WARNING** Risk of electrical shock and fire. Be sure that power supply information (Voltage/ Hertz/Phase) on pump motor nameplate matches incoming power supply exactly. Install pump according to all electrical codes that apply.

**▲WARNING** Explosion hazard. Improper ventilation of sewer gases can result in leakage of methane sewer gas, and a possible explosion of fumes, resulting in severe injury or death. Vent basin according to all local codes.

**NOTICE:** Proper ventilation is needed to prevent negative basin pressure and to provide air for proper aerobic activity within the basin.

The sewage basin should be located at the lowest place in the basement or area to be drained. Floor drains from other areas in the basement may be tiled into the basin. Drain tile around a house foundation may also be tiled into the basin, effectively removing water and relieving pressure from this area.

Basin covers are used to exclude refuse from the basin.

**NOTICE:** Read and understand this instruction manual before your concrete floor is poured.

### Installation Instructions. See Figure 1.

1. Dig the hole for the sewage basin and the sub-base. The hole must be deep enough so the finished floor is flush with the top of the basin. Refer to Figure 1, Page 3.  
**NOTICE:** The sub-base should include 4" of sand or gravel. The maximum diameter of crushed rock should be 1/2". The recommended maximum diameter of pea gravel is 3/4".
2. Level the sub-base out, until it is smooth. Sharp rock can damage the basin.
3. Install the basin on top of the sub-base.
4. Backfill around the basin with crushed rock, with a maximum diameter of 1/2", or use pea gravel.
5. Slide the inlet coupling (purchase separately) up the inlet pipe enough to allow positioning of the pipe against the open end of the spud on the basin. Lubricate the coupling with dish soap if necessary. With the pipe in position, slide the coupling into place on the spud and tighten both clamps securely.  
**NOTICE:** The pipe should pitch down to the basin inlet at 1/4" per foot. This will cause the water to run into the basin.
6. Install the discharge pipe into the 2" FNPT discharge grommet.
7. Remove the hatch from the basin cover and pull the power cords up through the hatch opening on the cover. Reinstall the hatch, capturing the cords in the notches in the basin cover and hatch cover.
8. Install the 2" vent pipe into the 2" FNPT threaded vent grommet. The vent pipe must go through the roof of the building or it can be connected to an existing vent pipe. The sewage basin must be vented.

**▲WARNING** Explosion hazard. Improper ventilation of sewer gases can result in leakage of methane sewer gas, and a possible explosion of fumes, resulting in severe injury or death. Vent basin according to all local codes.

**NOTICE:** Proper ventilation is also needed to prevent negative basin pressure and to provide the necessary air for proper aerobic activity within the basin.

9. Install the 2" check valve in the horizontal portion of the discharge pipe. See Figure 1. Make certain the flow indicating arrow points away from the pump. This check valve will keep the water from running back into the basin when the pump is not running.
10. Double check the connection between the discharge pipe and the septic or sewage tank. They must be connected before the pump is plugged in.
11. Insert the float switch piggy-back plug into a properly grounded outlet.
12. Plug the pump into the piggy-back plug.

13. Check the operation by filling the basin with water and observing pump operation through one complete cycle. Make sure that no parts of the assembly interfere with the float.

**⚠ WARNING** Failure to make this operational check may lead to improper operation, premature failure, and flooding.

## OPERATION

**NOTICE:** The shaft seal depends on water for lubrication and cooling. Do not operate the pump unless it is submerged in water as the seal may be damaged if allowed to run dry. Allowing the pump to run dry will void the warranty.

An automatic overload protector in the motor will protect the motor from burning out due to overheating/overloading. When the motor cools down, the overload protector will automatically reset and start the motor.

If the overload trips frequently, check for the cause. It could be a stuck impeller, wrong/low voltage, or an electrical failure in the motor. If an electrical failure in the motor is suspected, have it serviced by a competent repairman.

The pump is permanently lubricated. No oiling or greasing is required.

## MAINTENANCE

**⚠ WARNING** Hazardous voltage. Can shock, burn, or kill. Before removing the pump from the basin for service, always disconnect electrical power to the pump and the control switch. Do not lift the pump by the power cord. See the "Cord Lift Warning" below.

**NOTICE:** Always wear gloves when handling the pump for service or maintenance.

**NOTICE:** The pump should only be serviced by trained personnel. There are no consumer serviceable parts inside the pump.

After removing the basin cover and the necessary discharge piping, lift the pump out of the basin.

### Disinfect the Pump

Place the pump in an area where it can be cleaned thoroughly. Remove all scale and deposits on the pump.

Submerge the complete pump in a disinfectant solution (chlorox or chlorine bleach) for at least one hour before disassembling the pump.

The pump motor housing contains a special lubricating oil which should be kept clean and free of water at all times.

The sump basin and cover, pump, and piping should be protected from freezing temperatures. If there is any danger of freezing temperatures, the unit should be drained. Consult your pump manual for instructions on how to drain the pump to protect it from freezing.

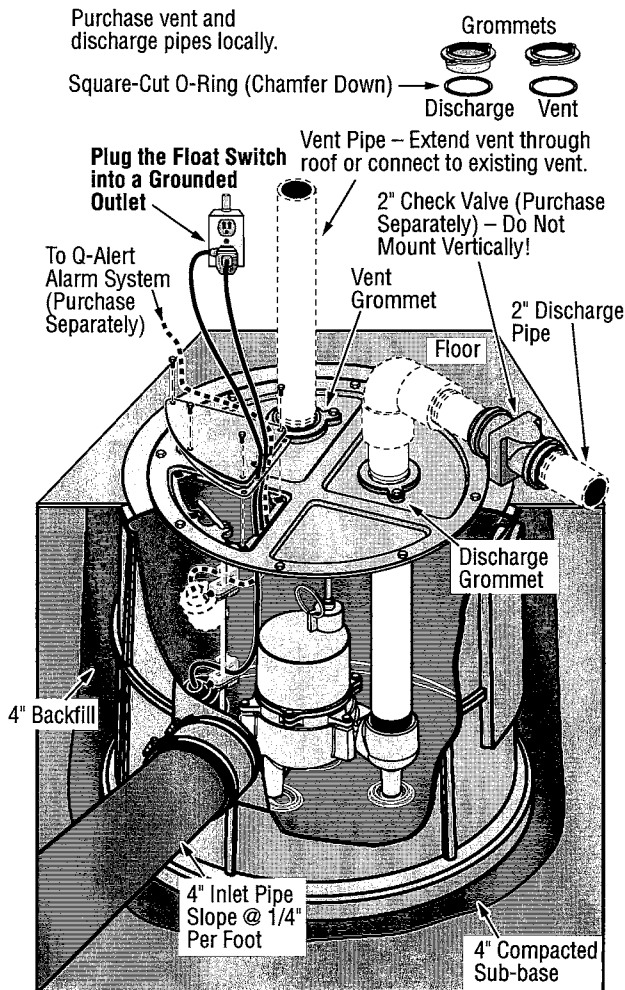

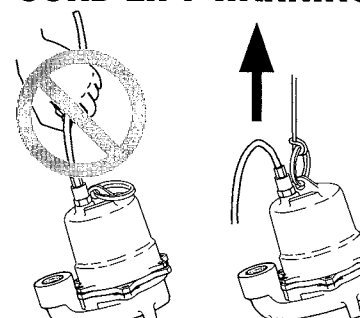
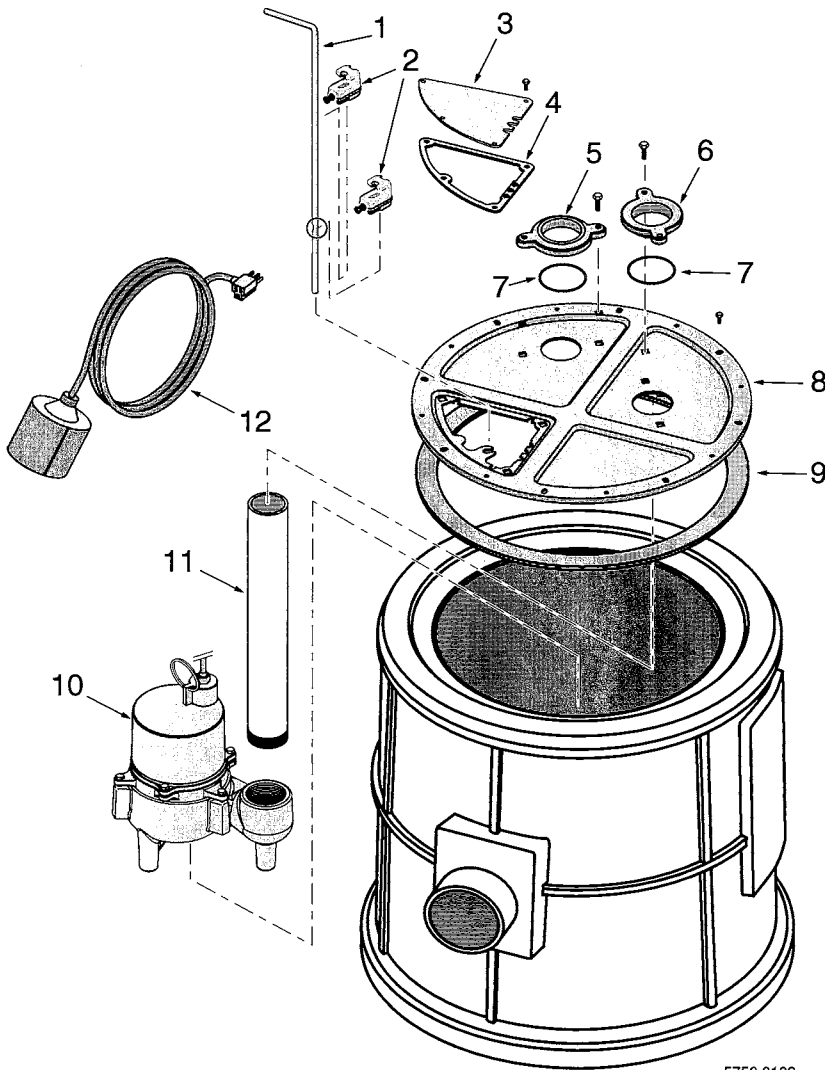


Figure 1 – Typical Installation

<p><b>⚠ WARNING</b></p>  <p>Risk of electrical shock. Can burn or kill. Do not lift pump by power cord.</p>	<p><b>CORD LIFT WARNING</b></p> 	<ol style="list-style-type: none"> <li>1. Attempting to lift or support pump by power cord can damage cord and cord connections.</li> <li>2. Cord may pull apart, exposing bare wires with possibility of fire or electrical shock.</li> <li>3. Lifting or supporting pump by power cord will void warranty.</li> <li>4. Use lifting ring or handle on top of pump for all lifting/lowering of pump. Disconnect power to pump before doing any work on pump or attempting to remove pump from sump.</li> </ol>
--	---	--



5756 0108



### REPAIR PARTS – PRE-PLUMBED SYSTEMS

Key No.	Part Description	Qty.	Part No.
1	Float Tree	1	27627B040
2	Cord Clamp	2	27627B041
3	Hatch	1	*
4	Hatch Gasket	1	*
5	Vent Grommet	1	*
6	Discharge Grommet	1	*
7	Square-Cut O-Ring	2	*
8	Cover Assembly (Incl. Key Nos. 3,4,5,6,7,9)	1	27627B020
9	Cover Gasket	1	*
10	Sewage Pump, 4/10 HP (SRM-BP)	1	SRM4MIC
10	Sewage Pump, 1/2 HP (CMV-BP)	1	CMV5M-11
11	Discharge Pipe - 2" x 18-3/8" TOE Schedule 80	1	**
12	Wide Angle Float Switch	1	21813B131

\* Included in cover assembly, Key No. 8.

\*\* Purchase locally.

## TROUBLES-REMEDIES

**⚠ WARNING** Sudden Starts. If the power is on to the pump when thermal overload resets, the pump may start without warning. If you are working on the pump, you may get an electrical shock or the impeller may catch fingers or tools. Disconnect the power before servicing the pump.

<p><b>A. Pump fails to operate:</b></p>	<ol style="list-style-type: none"> <li>1. Check to be sure that power cord is securely plugged into outlet or securely wired into controller or switch box. Disconnect power to outlet before handling pump or motor.</li> <li>2. Check to be sure you have electrical power.</li> <li>3. Check that liquid fluid level is high enough to activate switch or controller.</li> <li>4. Check to be sure that the anti-airlock vent hole in the pump discharge is not plugged.</li> <li>5. Check for blockage in pump inlet, impeller, check valve or discharge pipe.</li> <li>6. Disconnect the pump from the power source for a minimum of 30 minutes to allow the motor to cool and to protect yourself from sudden starts. See Warning above. Check for the cause of overheating. Pump is running dry because the float switch is caught up on something. Inlet pipe is plugged. Outlet pipe is plugged.</li> </ol>
<p><b>B. Pump fails to empty sump:</b></p>	<ol style="list-style-type: none"> <li>1. Be sure all valves in discharge pipe are fully open.</li> <li>2. Clean out discharge pipe and check valve.</li> <li>3. Check for blockage in pump inlet or impeller.</li> <li>4. Pump not sized properly. A higher capacity pump may be required.</li> </ol>
<p><b>C. Pump will not shut off:</b></p>	<ol style="list-style-type: none"> <li>1. Check switch or controller automatic floats for proper operation and location. See installation instructions for switch/controller.</li> <li>2. If pump is completely inoperative or continues to malfunction, consult your local serviceman.</li> </ol>

## LIMITED WARRANTY

F.E. MYERS warrants to the original consumer purchaser ("Purchaser" or "You") of the products listed below, that they will be free from defects in material and workmanship for the Warranty Period shown below.

<u>Product</u>	<u>Warranty Period</u>
Jet pumps, small centrifugal pumps, submersible pumps and related accessories	<i>whichever occurs first:</i> 12 months from date of original installation, or 18 months from date of manufacture
Fibrewound Tanks	5 years from date of original installation
Steel Pressure Tanks	5 years from date of original installation
Sump/Sewage/Effluent Products	12 months from date of original installation, or 18 months from date of manufacture

Our warranty will not apply to any product that, in our sole judgement, has been subject to negligence, misapplication, improper installation, or improper maintenance. Without limiting the foregoing, operating a three phase motor with single phase power through a phase converter will void the warranty. Note also that three phase motors must be protected by three-leg, ambient compensated, extra-quick trip overload relays of the recommended size or the warranty is void.

Your only remedy, and F.E. MYERS's only duty, is that F.E. MYERS repair or replace defective products (at F.E. MYERS's choice). You must pay all labor and shipping charges associated with this warranty and must request warranty service through the installing dealer as soon as a problem is discovered. No request for service will be accepted if received after the Warranty Period has expired. This warranty is not transferable.

F.E. MYERS SHALL NOT BE LIABLE FOR ANY CONSEQUENTIAL, INCIDENTAL, OR CONTINGENT DAMAGES WHATSOEVER.

THE FOREGOING WARRANTIES ARE EXCLUSIVE AND IN LIEU OF ALL OTHER EXPRESS AND IMPLIED WARRANTIES, INCLUDING BUT NOT LIMITED TO THE IMPLIED WARRANTIES OF MERCHANTABILITY AND FITNESS FOR A PARTICULAR PURPOSE. THE FOREGOING WARRANTIES SHALL NOT EXTEND BEYOND THE DURATION EXPRESSLY PROVIDED HEREIN.

Some states do not allow the exclusion or limitation of incidental or consequential damages or limitations on the duration of an implied warranty, so the above limitations or exclusions may not apply to You. This warranty gives You specific legal rights and You may also have other rights which vary from state to state.

This warranty supersedes and replaces all previous warranty publications.

**F.E. MYERS**  
**1101 Myers Parkway, Ashland, OH 44805-1989**  
**Phone: 419-289-6898 • Fax: 419-289-6658 • [www.femyers.com](http://www.femyers.com)**

### Pentair Water

1101 Myers Parkway

Ashland, OH 44805

Phone: 1-419-289-6898

Fax: 1-419-289-6658

Web Site: <http://www.myerspump.com>

# Basin Pro avec E-Z Switch

## NOTICE D'INSTALLATION, DE FONCTIONNEMENT ET DES PIÈCES DÉTACHÉES

### RENSEIGNEMENTS GÉNÉRAUX CONCERNANT LA SÉCURITÉ

Lire attentivement et suivre exactement toutes les consignes de sécurité figurant dans cette notice ou sur la pompe.

**⚠** Ce symbole indique qu'il faut être prudent. Lorsque ce symbole apparaît sur la pompe ou dans cette Notice, rechercher une des mises en garde qui suivent, car elles indiquent un potentiel de blessures corporelles!

**⚠ DANGER** Avertit d'un danger qui causera des blessures corporelles, la mort ou des dommages matériels importants si on l'ignore.

**⚠ AVERTISSEMENT** Avertit d'un danger qui risque de causer des blessures corporelles, la mort ou des dommages matériels importants si on l'ignore.

**⚠ ATTENTION** Avertit d'un danger qui causera ou qui risquera de causer des blessures corporelles, la mort ou des dommages matériels importants si on l'ignore.

**NOTA** : Indique des instructions spéciales et importantes n'ayant aucun rapport avec les dangers.

1. Lire attentivement et suivre exactement toutes les instructions et toutes les consignes de sécurité figurant dans cette notice. Si on ne respecte pas ces recommandations, on risque de subir de graves blessures corporelles et/ou causer des dommages matériels.

2. Avant de procéder à l'installation, consulter les codes de la municipalité. Il est impératif de s'y conformer.

**⚠ AVERTISSEMENT** Tension dangereuse. Risque de secousses, de brûlures, voire de mort. Pendant son fonctionnement, la pompe est immergée dans l'eau. Si la pompe doit être réparée, et pour éviter toute l'électrocution mortelle, procéder comme il est indiqué ci-dessous :

- 3A. Avant de débrancher la pompe, couper le courant alimentant la boîte de sortie.
- 3B. Il faut être extrêmement prudent lorsque l'on remplace un fusible. Ne pas se tenir dans l'eau et/ou ne pas mettre ses doigts dans les douilles d'un fusible.
- 3C. Ne jamais modifier le cordon électrique de la pompe ni sa fiche. Si on utilise le cordon électrique et sa fiche, ne brancher la fiche du cordon électrique que dans une prise de courant mise à la terre. Si on câble le système sur une boîte de commande, brancher le fil de mise à la terre de la pompe sur la mise à la terre de la boîte de commande du système.
4. Ne pas faire fonctionner la pompe à sec, car elle risque de chauffer (et de causer des blessures à toute personne qui la manipulerait); de plus, cette pratique annule la garantie.

5. Normalement, la pompe est extrêmement chaude lorsqu'elle fonctionne. Pour ne pas se brûler si on doit intervenir sur la pompe, la laisser refroidir pendant au moins 20 minutes après l'avoir arrêtée.
6. La pompe est lubrifiée en permanence. En fonctionnement normal, il n'est pas nécessaire de la huiler ni de la graisser. Si la pompe doit être révisée, se reporter aux instructions figurant sous la rubrique « Entretien ».
7. Prévoir une mise à l'air libre adéquate du réservoir des eaux d'égout ou de la fosse septique, conformément aux codes de la municipalité.
8. Ne pas installer le bassin ni la pompe dans un endroit classé comme étant dangereux par le United States National Electrical Code (NEC) ou par le Code canadien de l'électricité (CCE), selon le cas.

### SPÉCIFICATIONS

Courant d'alimentation requis.....115 volts  
Circuit de dérivation individuel requis:.....15 ampères  
Température maximum du liquide:.....140°F(60°C)  
Adaptateur pour le refoulement.....2 po NPT

### DESCRIPTION

Le système Basin Pro avec E-Z Switch de Myers est idéal pour les installations, les toilettes et les salles de lavage en sous-sol. Il est livré avec une pompe d'eaux d'égout submersible et un bassin pour eaux d'égout/de puisard et un couvercle de bassin en robuste mousse structurée résistant à la corrosion pour une installation facile.

La pompe submersible est conçue pour pomper les eaux usées, les effluents, les eaux des sous-sols et d'inondations et des puisards. Une protection contre les surcharges thermiques de même qu'un armement automatique sont incorporés dans la pompe. Le joint mécanique ainsi que tous les roulements du moteur sont lubrifiés en permanence. Des fixations en acier inoxydable et un anneau de levage solide assurent un démontage facile après un usage prolongé.

Le bassin peut être utilisé pour recueillir les eaux d'égout, les effluents et les infiltrations d'eau dans les résidences, les commerces et les industries. Son couvercle hermétique aux gaz est livré avec un raccord d'arrivée des eaux, des bagues d'étanchéité pour les cordons électriques, des joints plats et les fixations. Aucun outil ni matériau d'étanchéité spécial est nécessaire.

**NOTA** : Cette pompe n'est pas conçue pour pomper de l'eau salée ni de la saumure! La garantie sera annulée si cette pompe est utilisée pour pomper de l'eau salée ou de la saumure.

### CARACTÉRISTIQUES DU MOTEUR, DE L'INTERRUPTEUR ET DU CORDON ÉLECTRIQUE

Numéros de modèle	Puissance du moteur en ch	Ampères à pleine intensité du moteur	Circuit de dérivation individuel requis (en ampères)	Longueur du cordon électrique en pi (m)	Réglage de l'interrupteur en pouces (mm)		Dia. de l'adaptateur de refoulement
					Marche	Arrêt	
SRM-BP	4/10	12,0	15	20 (6,1)	11-3/4" (298)	5-3/4 po (145)	2 po NPT
CMV-BP	1/2	12,0	15	20 (6,1)	11-3/4" (298)	5-3/4 po (145)	2 po NPT

# RENDEMENTS

L/min (Gal/min) à la hauteur totale de refoulement metres (pi)			
Modèles	3	4,5	Aucun débit à la hauteur indiquée ci-dessous
	(10)	(15)	
Débits en litres (gallons) par min.			
SRM-BP	227 (60)	110 (29)	5,8 (19)
CMV-BP	227 (60)	114 (30)	5,8 (19)

\*Pour connaître les rendements à une température maximum, se reporter au Catalogue.

# INSTALLATION

**⚠ AVERTISSEMENT** Tension dangereuse. Risque de secousses, de brûlures, voire de mort. Ne pas lever la pompe par son cordon électrique. Se reporter à « Avertissement concernant le levage par le cordon électrique » à la page 3.

**NOTA** : Installer la pompe sur une surface dure et de niveau (en ciment, en asphalte ou à l'intérieur d'un bassin de puisard, etc.). Ne jamais installer la pompe sur une surface en terre, en glaise ou recouverte de gravier.

## Tuyauterie

Le diamètre de la tuyauterie ne doit pas être plus petit que le diamètre du refoulement de la pompe.

Lorsque l'on installe la pompe dans un réseau d'évacuation des eaux d'égout, le diamètre de la tuyauterie doit être suffisamment grand pour pouvoir laisser passer des matières semi-solides ayant un diamètre d'au moins 51 mm (2 pouces).

Le débit dans le tuyau de refoulement doit pouvoir permettre de garder toutes les matières solides présentes en suspension dans le liquide. Pour se conformer au débit minimum (2 pieds par seconde dans le tuyau de refoulement), le diamètre de la tuyauterie doit être le suivant :

Un tuyau d'un diamètre de :	Doit pouvoir débiter :
38 mm (1 1/2 po)	45 L/min (12 gal/min)
51 mm (2 po)	79 L/min (21 gal/min)
64 mm (2 1/2 po)	113 L/min (30 gal/min)
76 mm (3 po)	182 L/min (48 gal/min)

Dans un réseau d'évacuation des eaux d'égout, poser un clapet antiretour (à acheter séparément) d'au moins 51 mm (2 pouces) sur le tuyau de refoulement pour empêcher le liquide de retourner dans le bassin de puisard. Le clapet antiretour doit être un clapet antiretour à débit libre pouvant laisser facilement circuler toutes les matières solides présentes. S'assurer que l'installation du clapet antiretour est conforme aux codes de la municipalité.

**NOTA** : Pour obtenir le meilleur rendement possible du clapet antiretour lorsque l'on pompe des matières solides, ne pas l'installer sur un tuyau de refoulement dont l'angle d'inclinaison est supérieur à 45 ° par rapport à l'horizontale. Ne pas installer non plus le clapet antiretour en position verticale étant donné que les matières solides se déposeront sur son battant et l'empêcheront de s'ouvrir au démarrage de la pompe.

## Électricité

**⚠ AVERTISSEMENT** Tension dangereuse. Risque de secousses électriques, de brûlures, voire de mort. Lorsqu'on fait fonctionner une pompe, ou si on doit intervenir sur une pompe, respecter les consignes de sécurité suivantes.

1. **NE PAS** épisser le cordon électrique.
2. **NE PAS** permettre au cordon électrique d'être immergé.
3. **NE PAS** utiliser de cordons prolongateurs. Ces derniers présentent un danger d'incendie et ils risquent de considérablement réduire la tension au point où ils peuvent empêcher le pompage et/ou endommager le moteur.
4. **NE PAS** manipuler la pompe et ne pas intervenir sur la pompe pendant qu'elle est branchée sur le courant électrique.
5. **NE PAS** couper la broche de mise à la terre de la fiche du cordon électrique ni modifier cette fiche. Afin de protéger contre les secousses électriques, le cordon électrique se compose de trois conducteurs et d'une fiche à 3 broches, dont une de mise à la terre. Brancher le cordon électrique de la pompe dans une prise de courant à 3 trous adéquatement mise à la terre. Brancher la pompe conformément au code NEC ou au code CEC, selon le cas, et aux codes de la municipalité en vigueur.

Pour le fonctionnement en automatique de la pompe, la brancher dans un interrupteur à flotteur à fonctionnement automatique ou bien la câbler sur un tel interrupteur; on peut aussi la brancher sur un contrôleur duplex. La pompe fonctionnera en permanence si elle est directement branchée dans une prise de courant électrique.

Brancher ou câbler la pompe directement sur son propre circuit électrique sur lequel aucune autre prise de courant ou aucun autre équipement ne sera branché. Protéger le circuit de la pompe par un fusible ou un disjoncteur de calibre approprié conformément au tableau « Caractéristiques de la pompe, du moteur, de l'interrupteur et du cordon électrique ».

**⚠ AVERTISSEMENT** Risque de secousses électriques et d'incendies. S'assurer que les renseignements concernant l'alimentation électrique (tension/hertz/phase) indiquées sur la plaque signalétique du moteur de la pompe correspondent exactement au courant d'alimentation. Installer la pompe conformément aux codes de l'électricité en vigueur.

**⚠ AVERTISSEMENT** Risque d'explosions. Une mauvaise mise à l'air libre des gaz des eaux d'égout risque de causer une fuite de gaz méthane produits par les eaux d'égout et une explosion possible des vapeurs, pouvant entraîner de graves blessures, voire la mort. Le bassin doit être mis à l'air libre conformément aux codes de la municipalité.

**NOTA** : Une mise à l'air libre adéquate est requise pour empêcher qu'une pression négative se forme dans le bassin et pour assurer une arrivée d'air suffisante dans le bassin afin d'obtenir une activité aérobie adéquate.

Le bassin des eaux d'égout doit être installé dans l'endroit le plus bas du sous-sol ou de la zone à drainer. Les drains de plancher des autres parties du sous-sol peuvent être raccordés dans le bassin. Les drains posés tout autour des fondations d'une habitation peuvent également être raccordés dans le bassin, ce qui permettra d'éliminer efficacement l'eau et de dissiper la pression dans cette zone.

Les couvercles empêchent les débris de tomber dans le bassin.

**NOTA** : Lire et bien comprendre cette Notice avant de couler le plancher en béton.

## Instructions d'installation. Se reporter à la Figure 1.

1. Creuser un trou pour recevoir le bassin des eaux d'égout et la couche de fondation. Le trou doit être suffisamment profond de façon que le haut du bassin affleure le plancher lorsqu'il sera fini. Se reporter à la Figure 1 de la page 3.  
**NOTA** : La couche de fondation doit se composer de 101 mm (4 pouces) de sable ou de gravier. Les pierres concassées doivent avoir un diamètre maximum de 13 mm (1/2 pouce). Le diamètre maximum du gravillon doit être de 19 mm (3/4 de pouce).
2. Nivelier la couche de fondation jusqu'à ce qu'elle soit bien lisse. Les pierres pointues risquent d'endommager le bassin.
3. Poser le bassin sur la couche de fondation.
4. Remblayer tout autour du bassin avec de la pierre concassée. Le diamètre maximum de cette pierre ne doit pas être supérieur à 1/2 pouce, sinon utiliser du gravillon.
5. Glisser le raccord d'arrivée (à acheter séparément) dans le haut du tuyau d'arrivée suffisamment afin de permettre de positionner le tuyau contre l'extrémité ouverte de la tubulure de raccordement sur le bassin. Lubrifier le raccord à l'aide de détergent à vaisselle au besoin. Lorsque le tuyau est en position, glisser le raccord en place sur la tubulure et bien serrer les deux colliers.  
**NOTA** : Le tuyau doit être incliné vers l'arrivée du bassin à raison de 1/4 de pouce par pied pour assurer l'écoulement de l'eau dans le bassin.
6. Installer le tuyau de refoulement dans la bague d'étanchéité en caoutchouc à collerette de refoulement de 2 pouces FNPT.
7. Enlever la trappe du couvercle du bassin et faire passer les cordons électriques dans l'ouverture de la trappe sur le couvercle. Reposer la trappe, en saisissant les cordons dans les fentes du couvercle du bassin et du couvercle de la trappe.
8. Faire passer le tuyau de mise à l'air libre de 2 pouces dans la bague d'étanchéité en caoutchouc de mise à l'air libre fileté de 2 pouces FNPT. Le tuyau de mise à l'air libre doit dépasser le toit du bâtiment, sinon il devra être raccordé à un tuyau de mise à l'air libre existant. Le bassin des eaux d'égout doit obligatoirement être mis à l'air libre.

**⚠ AVERTISSEMENT** Risque d'explosions. Une mauvaise mise à l'air libre des gaz des eaux d'égout risque de causer une fuite de gaz méthane produits par les eaux d'égout et une explosion possible des vapeurs, pouvant entraîner de graves blessures, voire la mort. Le bassin doit être mis à l'air libre conformément aux codes de la municipalité.

**NOTA** : Une mise à l'air libre adéquate est requise pour empêcher qu'une pression négative se forme dans le bassin et pour assurer une arrivée d'air suffisante dans le bassin afin d'obtenir une activité aérobie adéquate.



- Poser un clapet antiretour de 2 pouces sur la partie horizontale du tuyau de refoulement. Se reporter à la Figure 1. S'assurer que la flèche indiquant le sens du débit est orientée à l'opposé de la pompe. Ce clapet antiretour empêchera l'eau de retomber dans le bassin pendant que la pompe ne fonctionnera pas.
- Vérifier une autre fois tous les raccords entre le tuyau de refoulement et la fosse septique ou le réservoir d'évacuation des eaux d'égout pour s'assurer qu'ils sont bien faits. Effectuer tous les raccords avant de brancher la pompe sur le courant.
- Brancher la fiche à prise multiple de l'interrupteur à flotteur dans une prise de courant adéquatement mise à la terre.
- Brancher la pompe dans la fiche à prise multiple de l'interrupteur à flotteur.

- Vérifier le fonctionnement du système en remplissant le bassin d'eau et observer le fonctionnement de la pompe sur un cycle complet. S'assurer qu'aucune pièce de l'ensemble ne gêne le fonctionnement du flotteur.

**AVERTISSEMENT** Ne pas procéder à cette vérification de fonctionnement risque de causer un mauvais fonctionnement, une panne prématurée et une inondation.

## FONCTIONNEMENT

**NOTA :** Le joint de l'arbre dépend de l'eau pour sa lubrification et son refroidissement. Ne pas faire fonctionner la pompe si elle n'est pas immergée dans l'eau. Son joint sera endommagé s'il fonctionne à sec. La garantie sera annulée si on laisse la pompe fonctionner à sec.

Logé dans le moteur, un dispositif de protection contre les surcharges à fonctionnement automatique empêchera le moteur de « brûler » en cas de surchauffe ou de surcharge. Dès que le moteur refroidi, le dispositif de protection contre les surcharges se réenclenche automatiquement et le moteur redémarre.

Si on remarque des déclenchements fréquents causés par une surcharge, en déterminer la cause qui peut être un impulseur grippé, une mauvaise tension ou une tension trop basse ou bien une panne électrique du moteur. Si on soupçonne une panne électrique du moteur, le faire réparer par un technicien compétent.

La pompe est lubrifiée en permanence. Il n'est donc pas nécessaire de la huiler ni de la graisser.

## ENTRETIEN

**AVERTISSEMENT** Tension dangereuse. Risque de secousses électriques, de brûlures, voire de mort.

Avant d'intervenir sur la pompe, toujours la sortir du bassin et toujours couper le courant électrique qui alimente la pompe et l'interrupteur de commande. Ne pas lever la pompe par son cordon électrique. Se reporter à « Avertissement concernant le levage par le cordon électrique » ci-dessous.

**REMARQUE :** Toujours porter des gants lorsqu'on manipule la pompe pour l'entretenir ou la réparer.

**REMARQUE :** La pompe ne doit être réparée que par du personnel qualifié. Aucune pièce de cette pompe n'est réparable par une personne non qualifiée.

Après avoir enlevé le couvercle du bassin et débranché toute la tuyauterie de refoulement nécessaire, sortir la pompe du bassin.

### Désinfecter la pompe

Mettre la pompe dans un endroit où elle pourra être complètement nettoyée. Enlever tous les dépôts de tartre, etc., de la pompe.

Immerger complètement la pompe dans une solution désinfectante (du chlorox ou un produit à blanchir au chlore) pendant au moins une heure avant de la démonter.

Le carter de la pompe contient une huile lubrifiante spéciale. Cette huile doit toujours être gardée propre et ne jamais être contaminée par l'eau.

Le bassin de puisard, ainsi que son couvercle, la pompe et toute la tuyauterie doivent être protégées contre le gel. S'il y a danger de gel, tout l'ensemble doit être vidé. Consulter la Notice de la pompe pour connaître les instructions sur la façon de vider la pompe afin de la protéger contre le gel.

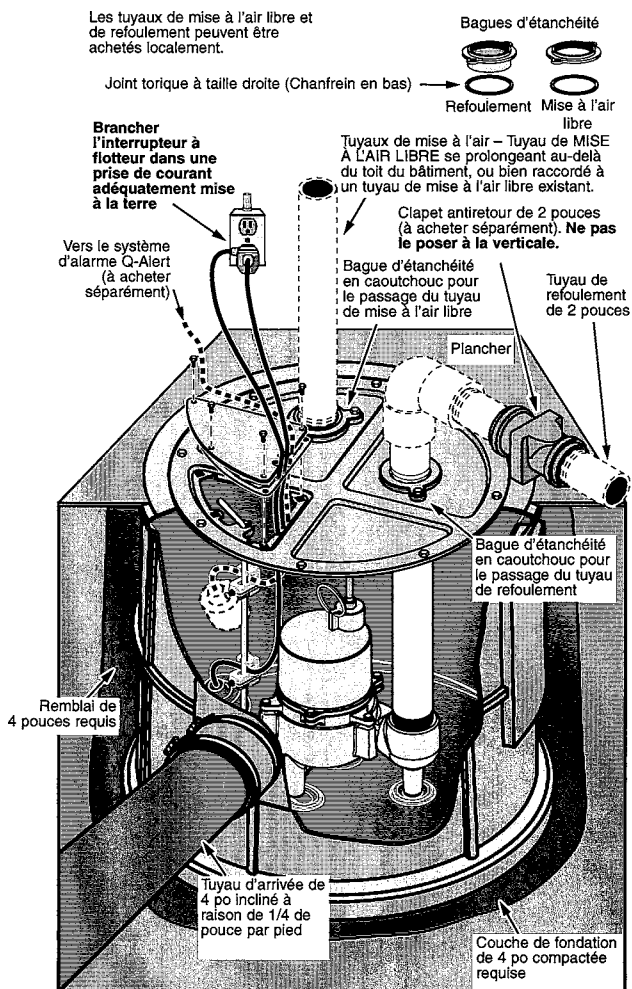

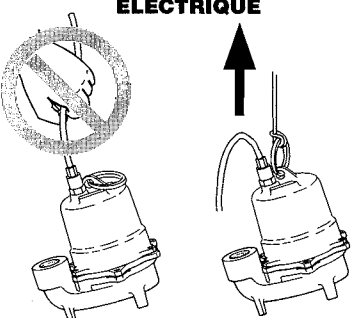
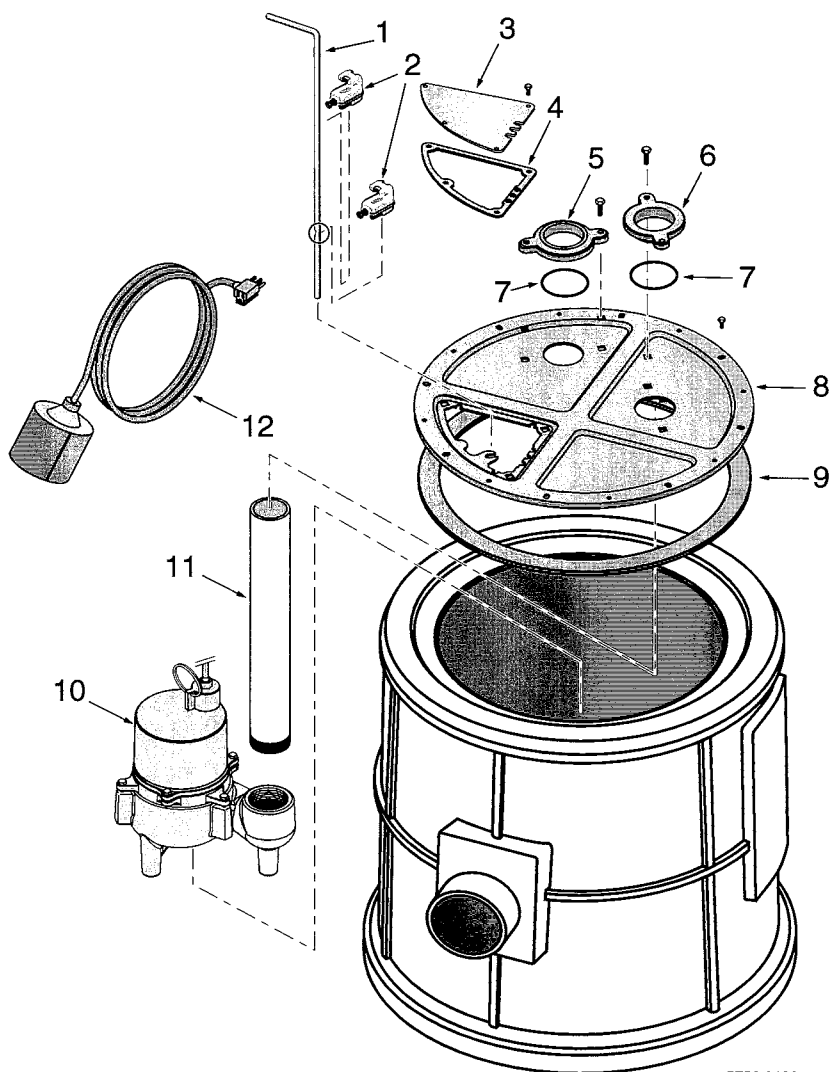
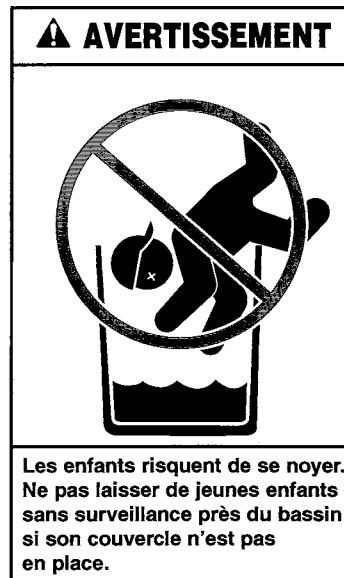


Figure 1 - Installation type

<p><b>AVERTISSEMENT</b></p>  <p>Risque de secousses électriques. Risque de brûlures, voire de mort. Ne pas lever la pompe par son cordon électrique.</p>	<p><b>AVERTISSEMENT CONCERNANT LE LEVAGE PAR LE CORDON ÉLECTRIQUE</b></p> 	<ol style="list-style-type: none"> <li>Essayer de lever ou de supporter la pompe par son cordon électrique endommagera le cordon et les connexions du cordon.</li> <li>Le cordon peut se détacher, exposer des fils nus, ce qui risque de présenter un danger d'incendies ou de secousses électriques.</li> <li>Lever ou supporter la pompe par son cordon électrique annulera la garantie.</li> <li>Toujours utiliser la poignée ou l'anneau de levage de la pompe pour lever ou abaisser la pompe. Couper le courant alimentant la pompe avant d'intervenir sur la pompe ou avant de la sortir du puisard.</li> </ol>
---	---	---



5756 0108



### LISTE DES PIÈCES DE RECHANGE DES SYSTÈMES À TUYAUTERIE DÉJÀ INSTALLÉE

Réf.	Désignation des pièces	Qté.	N° de pièce
1	Arbre flotteur	1	27627B040
2	Collier du cordon électrique	2	27627B041
3	Trappe	1	*
4	Joint de la trappe	1	*
5	Bague d'étanchéité en caoutchouc de mise à l'air libre	1	*
6	Bague d'étanchéité en caoutchouc du refoulement	1	*
7	Joint torique à taille droite	2	*
8	Couvercle (comprend les Réf. 3,4,5,6,7,9)	1	27627B020
9	Joint de couvercle	1	*
10	Pompe des eaux d'égouts, 4/10 ch (SRM-BP)	1	SRM4MIC
10	Pompe des eaux d'égouts, 1/2 ch (CMV-BP)	1	CMV5M-11
11	Tuyau de refoulement de 5,1 cm x 46,7 cm (2 po x 18 3/8 po) de catégorie 80	1	**
12	Interrupteur à flotteur à grand angle	1	21813B131

\* Pièces livrées avec le couvercle, N° de réf. 8.

\*\* À acheter localement.

# PANNES ET REMÈDES

**⚠ AVERTISSEMENT** Démarrages soudains. Si la pompe est alimentée en courant électrique lorsque le dispositif de protection contre les surcharges se réenclenche, elle risque de démarrer sans qu'on s'y attende. Si, à ce moment-là, on intervient sur la pompe, on risque de subir une secousse électrique, de se coincer les doigts dans l'impulseur ou bien les outils risquent de se coincer dans l'impulseur. Avant d'intervenir sur une pompe, toujours débrancher le courant électrique qui l'alimente.

<b>A. La pompe ne fonctionne pas :</b>	<ol style="list-style-type: none"><li>1. S'assurer que le cordon électrique est bien branché dans la prise de courant ou bien que la pompe est bien câblée dans le contrôleur ou la boîte de commande. Toujours couper le courant alimentant la prise de courant avant de manipuler la pompe ou le moteur.</li><li>2. S'assurer que le courant électrique parvient bien à la pompe.</li><li>3. S'assurer que le niveau du liquide est suffisamment haut pour actionner l'interrupteur à flotteur ou le contrôleur.</li><li>4. S'assurer que le trou de mise à l'air libre antibouchon d'air du refoulement de la pompe n'est pas bouché.</li><li>5. S'assurer que l'admission de la pompe, l'impulseur, le clapet antiretour ou le tuyau de refoulement ne sont pas bouchés.</li><li>6. Débrancher la pompe de sa source de courant pendant au moins 30 minutes de façon à permettre au moteur de refroidir et pour se protéger contre un démarrage brusque. Se reporter à l'avertissement ci-dessus. Rechercher la cause de la surchauffe. La pompe fonctionne à sec parce que l'interrupteur à flotteur est coincé. Le tuyau d'admission est bouché. Le tuyau de refoulement est bouché.</li></ol>
<b>B. La pompe ne vide pas le puisard :</b>	<ol style="list-style-type: none"><li>1. S'assurer que tous les robinets du tuyau de refoulement sont complètement ouverts.</li><li>2. Nettoyer le tuyau de refoulement et le clapet antiretour.</li><li>3. S'assurer que l'admission de la pompe ou que l'impulseur ne sont pas bouchés.</li><li>4. La pompe n'est pas suffisamment puissante. Une pompe à débit supérieur est requise.</li></ol>
<b>C. La pompe ne s'arrête pas :</b>	<ol style="list-style-type: none"><li>1. Vérifier l'interrupteur à flotteur à fonctionnement automatique ou le contrôleur pour s'assurer qu'ils fonctionnent bien et qu'ils sont bien positionnés. Se reporter aux instructions d'installation de l'interrupteur et du contrôleur.</li><li>2. Si la pompe ne fonctionne pas du tout ou continue de mal fonctionner, s'adresser à un atelier de réparation local.</li></ol>

## GARANTIE LIMITÉE

F.E. MYERS garantit au consommateur initial (ci-après appelé l'« Acheteur ») que les produits énumérés dans les présentes sont exempts de défaut de matériau et de fabrication pendant la durée de la garantie à compter de la durée des garanties indiquées ci-dessous.

<b>Produits</b>	<b>Durée des garanties</b>
Pompes à éjecteur, petites pompes centrifuges, pompes submersibles et tous les accessoires connexes	<i>Selon le premier terme atteint :</i> 12 mois à compter de la date de la première installation ou 18 mois à compter de la date de fabrication
Réservoirs en fibre de verre	5 ans à compter de la date de la première installation
Réservoirs sous pression en acier	5 ans à compter de la date de la première installation
Produits de puisard/d'égout/d'effluents	12 mois à compter de la date de la première installation ou 18 mois à compter de la date de fabrication

Nos garanties ne s'appliquent pas aux produits ayant fait l'objet de négligence, d'une mauvaise utilisation, d'une mauvaise installation ou d'un manque d'entretien adéquat. Sans aucune limitation des présentes, la garantie des moteurs triphasés submersibles sera nulle et non avenue si ces moteurs sont branchés et fonctionnent sur le courant monophasé par l'intermédiaire d'un déphaseur. Il faut également noter que les moteurs triphasés doivent être protégés par un relais de surcharge tripolaire thermocompensé à déclenchement extrêmement rapide du calibre recommandé, sinon la garantie sera nulle et non avenue.

Le seul recours de l'Acheteur et la seule responsabilité de F.E. MYERS consistent à réparer ou à remplacer (au choix de F.E. MYERS) les produits qui se révéleraient défectueux. L'Acheteur s'engage à payer tous les frais de main-d'œuvre et d'expédition du produit couvert par sa garantie et de s'adresser au concessionnaire-installateur ayant procédé à l'installation dès qu'un problème est découvert pour obtenir un service sous garantie. Aucune demande de service en vertu de sa garantie ne sera acceptée après expiration de la durée de sa garantie. Ces garanties ne sont pas transférables.

F.E. MYERS DÉCLINE TOUTE RESPONSABILITÉ POUR TOUT DOMMAGE INDIRECT OU FORTUIT QUEL QU'IL SOIT.

LES PRÉSENTES GARANTIES SONT EXCLUSIVES ET TIENNENT LIEU DE TOUTE AUTRE GARANTIE FORMELLE ET TACITE, Y COMPRIS, MAIS SANS S'Y LIMITER, TOUTE GARANTIE TACITE DE QUALITÉ MARCHANDE OU DE CONVENANCE DU PRODUIT À UNE FIN PARTICULIÈRE. LA DURÉE DES PRÉSENTES GARANTIES NE DEVRA PAS DÉPASSER LA DURÉE DES GARANTIES FORMELLES STIPULÉES DANS LES PRÉSENTES.

Certains états, territoires et certaines provinces ne permettent pas l'exclusion ou la limitation des dommages indirects ou fortuits, ni les limitations relatives à la durée des garanties tacites. Par conséquent, il se peut que les limitations ou les exclusions stipulées dans les présentes ne s'appliquent pas dans ce cas. Ces garanties accordent des droits juridiques précis, bien que l'on puisse bénéficier d'autres droits, selon la province, le territoire ou l'état dans lequel on réside.

Ces garanties remplacent et annulent toutes les garanties précédemment publiées.

**F.E. MYERS**  
**1101 Myers Parkway, Ashland, OH 44805-1989**  
**Tél. : 419-289-6898 • Téléc. : 419-289-6658 • [www.femyers.com](http://www.femyers.com)**

### Pentair Water

1101 Myers Parkway

Ashland, OH 44805

Phone: 1-419-289-6898

Fax: 1-419-289-6658

Web Site: <http://www.myerspump.com>

# Basin Pro con E-Z Switch

## MANUAL DE INSTALACIÓN, OPERACIÓN Y PARTES

### INFORMACIÓN SOBRE LA SEGURIDAD

Es importante leer y seguir las instrucciones de seguridad en este manual o en la bomba.

**⚠ Este es un símbolo de alerta de seguridad.** Cuando vea este símbolo en su bomba o en este manual, busque una de las siguientes palabras de señal y manténgase alerta a la posibilidad de lesiones personales.

**⚠ PELIGRO** advierte sobre peligros que causarán lesiones personales graves, muerte o daños materiales considerables si se ignoran.

**⚠ ADVERTENCIA** advierte sobre peligros que pueden causar lesiones personales graves, muerte o daños materiales considerables si se ignoran.

**⚠ PRECAUCIÓN** advierte sobre peligros que causarán o pueden causar lesiones personales o daños materiales de menor importancia si se ignoran.

La palabra AVISO indica instrucciones especiales que son importantes pero no están relacionadas con peligros.

1. Lea estas reglas e instrucciones con atención. Si se ignoran, existe el riesgo de que ocurran lesiones personales graves y/o daños materiales.
2. Consulte sus códigos locales antes de la instalación. Usted deberá cumplir con sus reglas.

**⚠ ADVERTENCIA Tensión peligrosa.** Puede causar choque, quemadura o muerte. La bomba debe estar en el agua durante la operación. Para evitar choques fatales, proceda de la siguiente manera si la bomba requiere reparación:

- 3A. Desconecte la corriente a la caja de salida antes de desenchufar la bomba.
- 3B. Tenga mucho cuidado cuando cambie los fusibles. Asegúrese de no estar parado en el agua ni de poner el dedo en el portafusible.
- 3C. No modifique el cordón ni el enchufe. Cuando use el cordón y el enchufe, enchúfelo solamente en un tomacorriente con conexión a tierra. Cuando la conexión sea a un dispositivo de control del sistema, conecte el conductor a tierra de la bomba a la tierra del sistema.
4. No deje que la bomba marche en seco. Un funcionamiento en seco podrá hacer que la bomba se recaliente (causando quemaduras a cualquier persona que la toque) y anulará la garantía.
5. La bomba está generalmente caliente durante la operación. Para evitar quemaduras cuando se repare o mantenga la bomba,

permita que se enfríe durante 20 minutos después de apagarla y antes de tocarla.

6. La bomba viene lubricada en forma permanente. No requiere aceite ni grasa bajo una operación normal. Consulte las instrucciones en la sección de "Servicio" para la puesta a punto.
7. Ventile el tanque séptico o de aguas residuales conforme con los códigos locales.
8. No instale el depósito ni la bomba en ningún lugar clasificado como peligroso por el Código Nacional Eléctrico de los Estados Unidos (NEC) o por el Código Eléctrico de Canadá (CEC), según corresponda.

### ESPECIFICACIONES DE LA BOMBA

Suministro de corriente requerido ..... 115V  
 Requiere un ramal individual: ..... 15 Amperios  
 Temperatura máxima del líquido: ..... 140°F (60°C)  
 Adaptador de descarga ..... 2" NPT

### DESCRIPCIÓN

El sistema Basin Pro con E-Z Switch de Myers es ideal para instalaciones en sótanos, para bombear inodoros debajo del nivel del suelo, y para salas de lavandería. Incluye una bomba cloacal sumergible et un sumidero/depósito cloacal de primera calidad para trabajos pesados en espuma estructural y resistente a la corrosión, con tapa para facilitar la instalación.

Esta bomba sumergible ha sido diseñada para la remoción de efluente y aguas servidas, desagüe de sumideros, extracción de agua y control de inundaciones. La bomba cuenta con un dispositivo de protección contra sobrecarga térmica y reposición automática. La junta mecánica y los cojinetes en el eje del motor tienen lubricación permanente. Los accesorios de acero inoxidable y el mango resistente de extracción facilitan su desensamblaje después de un uso prolongado.

El depósito se usa para la recolección de aguas servidas, efluente y aguas filtradas de tipo residencial, comercial e industrial. El juego de cubierta del depósito incluye una campana de admisión, una cubierta a prueba de gas, juntas de cordón, empaquetaduras y herrajes. No se requieren herramientas especiales ni selladores.

**AVISO:** Esta unidad no ha sido diseñada para uso con agua salada o salubre. El uso con agua salada o salubre anulará la garantía.

### ESPECIFICACIONES DE LA BOMBA, EL MOTOR, EL INTERRUPTOR Y EL CORDÓN

Modelo No.	Motor - HP	Amperaje total del motor	Requiere un ramal individual (amperios)	Largo del cordón en pies (m)	Configuración del interruptor en pulgadas (mm)		Tamaño del adaptador de descarga
					Encendido (ON)	Apagado (OFF)	
SRM-BP	4/10	12,0	15	20 (6,1)	11-3/4" (298)	5-3/4" (145)	2" NPT
CMV-BP	1/2	12,0	15	20 (6,1)	11-3/4" (298)	5-3/4" (145)	2" NPT

# DESEMPEÑO

GPM A ALTURA TOTAL EN PIES			
Modelo	10	15	No hay flujo a la altura indicada abajo
CAPACIDAD EN GALONES/MINUTO			
SRM-BP	60	29	19'
CMV-BP	60	30	19'

\* Para el desempeño a temperatura máxima, consulte el Catálogo.

## INSTALACIÓN

**⚠ ADVERTENCIA** **Tensión peligrosa. Puede provocar choque, quemaduras o muerte.** No levante la bomba por medio del cordón de corriente. Consulte la "Advertencia sobre sujeción por medio del cordón" en la página 3.

**AVISO:** Instale la bomba sobre una superficie dura y nivelada (cemento, asfalto o dentro de un depósito de recogida, etc.). Nunca coloque la bomba directamente sobre la tierra, o sobre superficies de arcilla o de grava.

### Tubería

La tubería no debe ser menor que la descarga de la bomba.

Cuando se instale en un sistema de aguas residuales, la tubería deberá ser capaz de manejar partículas semi-sólidas de por lo menos 2" (51 mm) de diámetro.

El caudal en la tubería de descarga debe mantener las partículas sólidas presentes en suspensión en el líquido. Para cumplir con el requerimiento mínimo de flujo (2 pies por segundo en la línea de descarga), el tamaño de la tubería debe ser el siguiente:

Una tubería de:	Manejará un caudal de:
1-1/2" (38mm)	12 GPM
2" (51mm)	21 GPM
2-1/2" (64mm)	30 GPM
3" (76mm)	48 GPM

En un **sistema cloacal** use una válvula de retención de 2" (51 mm) (adquirir por separado) en la tubería de descarga para impedir el retroflujo del líquido hacia el depósito de recogida. La válvula de retención deberá ser una válvula de derrame libre que pueda pasar partículas sólidas con facilidad. Verifique que la instalación de la válvula de retención cumpla con los códigos locales.

**AVISO:** Para obtener el mejor desempeño de la válvula de retención en el manejo de partículas sólidas, no la instale con la descarga a una altura mayor de 45° por encima del nivel horizontal. No instale la válvula de retención en posición vertical, ya que las partículas sólidas pueden asentarse en la válvula evitando que se abra al arranque.

### Información eléctrica

**⚠ ADVERTENCIA** **Tensión peligrosa. Puede provocar choque, quemaduras o muerte.** Cuando instale, opere, repare o mantenga esta bomba, siga las instrucciones de seguridad que se indican a continuación.

- NO** empalme el cordón de corriente eléctrica.
- NO** deje que se sumerja el enchufe del cordón eléctrico.
- NO** use cordones de alargue. Ellos representan un peligro de incendio y pueden reducir la tensión lo suficiente como para impedir el bombeo y/o dañar el motor.
- NO** manipule ni repare la bomba mientras esté conectada a la fuente de corriente eléctrica.
- NO** saque la punta de conexión a tierra del enchufe ni lo modifique de ninguna forma. Para protegerse contra choques eléctricos, el cordón de corriente es un conductor trifilar e incluye un enchufe de 3 puntas con puesta a tierra. Enchufe la bomba en un receptáculo trifilar con conexión a tierra y debidamente puesto a tierra. Conecte la bomba conforme con las normas de NEC o CEC y los códigos locales.

Para una operación automática, enchufe o conecte la bomba a un interruptor automático de flotador o a un controlador dúplex. La bomba marchará continuamente cuando esté enchufada directamente en una toma de corriente eléctrica.

Es importante conectar o cablear la bomba a su propio ramal individual sin otro tomacorriente ni aparato conectado al circuito. Determine el tamaño de los fusibles o disyuntores según la tabla de "Especificaciones para el Motor, el Interruptor y el Cordón Eléctrico".

**⚠ ADVERTENCIA** **Riesgo de choque eléctrico o de incendio.**

**Asegúrese de que la información sobre el suministro de corriente (tensión/hertz/fase) en la placa de fábrica del motor de la bomba corresponda exactamente con el suministro de corriente de entrada. Instale la bomba conforme con todos los códigos eléctricos que correspondan.**

**⚠ ADVERTENCIA** **Peligro de explosión.** Una ventilación inadecuada de los gases del sumidero puede resultar en fugas de gas metano del sumidero y en una posible explosión de esos gases que resultará en lesiones graves o muerte. Es importante ventilar el depósito según todos los códigos locales.

**AVISO:** Es necesario suministrar ventilación adecuada para impedir una presión negativa en el depósito y proporcionar aire para la actividad aeróbica apropiada dentro del depósito.

El depósito de aguas residuales debe estar ubicado en el lugar más bajo del sótano o del área que se desagua. Los desagües de piso de otras áreas en el sótano se pueden conectar con tubos de avenamiento hacia el depósito. El tubo de avenamiento alrededor de los cimientos de la casa también se puede conectar hacia el depósito, para eliminar el agua y aliviar la presión desde esa zona.

Las cubiertas de sumidero se usan para excluir los residuos del depósito.

**AVISO:** Es importante leer y comprender este manual de instrucciones antes de verter el piso de hormigón.

### Instrucciones para la instalación. Consulte la figura 1.

- Cave el pozo para el depósito de aguas residuales y la subbase. El pozo debe ser lo suficientemente profundo para que el piso terminado quede al ras con la parte superior del depósito. Consulte la Figura 1, página 3.

**AVISO:** La subbase debe incluir 4" de arena o de gravilla. La roca triturada debe ser de un diámetro máximo de 1/2". Se recomienda un diámetro máximo de 3/4" para la gravilla.

- Nivele la subbase hasta que quede uniforme. Rocas angulosas pueden dañar el depósito.
- Instale el depósito sobre la subbase.
- Rellene la zona alrededor del depósito con roca triturada de un diámetro máximo de 1/2" o use gravilla.
- Deslice el manguito de admisión (adquirir por separado) hacia arriba por el tubo de admisión lo suficiente como para permitir colocarlo en el tubo contra el extremo abierto de la copa en el lavabo. De ser necesario, lubrique el manguito con jabón para platos. Con el tubo en posición, deslice el manguito a la posición correcta sobre la copa y apriete ambas abrazaderas firmemente.

**AVISO:** El tubo debe inclinarse hacia adentro de la admisión del depósito a 1/4" por pie. Esto hará que el agua corra hacia el depósito.

- Instale la tubería de descarga en el aro de refuerzo de descarga hembra de 2" NPT.
- Saque la escotilla de la cubierta del lavabo y empuje los cordones de corriente hacia arriba por la abertura de la escotilla en la cubierta. Vuelva a colocar la escotilla, capturando los cordones en las muescas de la cubierta del lavabo y la escotilla.
- Instale la tubería de ventilación de 2" en el aro de refuerzo roscado hembra de ventilación de 2". El tubo de ventilación debe pasar por el techo del edificio o se puede conectar a una tubería de ventilación existente. El depósito de aguas residuales debe estar ventilado.

**⚠ ADVERTENCIA** **Peligro de explosión** – Una ventilación inadecuada de los gases del sumidero puede resultar en fugas de gas metano del sumidero y en una posible explosión de esos gases que resultará en lesiones graves o muerte. Es importante ventilar el depósito según todos los códigos locales.

**AVISO:** Es necesario suministrar ventilación adecuada para impedir una presión negativa en el depósito y proporcionar aire para la actividad aeróbica apropiada dentro del depósito.

9. Instale la válvula de retención de 2" en la porción horizontal de la tubería de descarga. Consulte la Figura 1. Asegúrese de que la flecha que indica el flujo señale en dirección opuesta a la bomba. Esta válvula de retención evitará que el agua corra de regreso hacia el depósito cuando la bomba no esté funcionando.
10. Verifique la conexión entre la tubería de descarga y el tanque séptico o de aguas residuales. Estos deben estar conectados antes de enchufar la bomba.
11. Introduzca el enchufe del interruptor de flotador superpuesto en un tomacorriente debidamente puesto a tierra.
12. Enchufe la bomba en el enchufe superpuesto.

13. Verifique el funcionamiento llenando el depósito con agua y observando el funcionamiento de la bomba por un ciclo completo. Asegúrese de que ninguna parte de la unidad interfiera con el flotador.

**ADVERTENCIA** Si se ignora esta verificación de la operación, existe el riesgo de que la bomba funcione en forma incorrecta, falle prematuramente y cause inundaciones.

## OPERACIÓN

**AVISO:** La junta del eje depende del agua para su lubricación y enfriamiento. No opere la bomba a menos que esté sumergida en agua ya que la junta se puede dañar si se permite que la bomba marche en seco. Si se permite que la bomba marche en seco, la garantía quedará anulada.

Un protector automático contra sobrecarga en el motor, lo protegerá para que no se queme debido a una sobrecarga o recalentamiento. Cuando el motor se enfría, el protector contra sobrecarga reposiciona y arranca el motor automáticamente.

Si el protector contra sobrecarga se dispara con frecuencia, verifique cuál es la causa. Puede ser un impulsor atascado, tensión baja o incorrecta o una falla eléctrica en el motor. Si sospecha que hay una falla eléctrica en el motor, haga que un experto en reparaciones lo revise.

La bomba tiene lubricación permanente. No requiere aceite ni grasa.

## MANTENIMIENTO

**ADVERTENCIA** Tensión peligrosa. Puede provocar choque, quemadura o muerte. Antes de sacar la bomba del depósito para reparaciones o mantenimiento, siempre desconecte la corriente eléctrica a la bomba y el interruptor de control. No levante la bomba por medio del cordón de corriente. Consulte la "Advertencia sobre sujeción por medio del cordón" que aparece a continuación.

**AVISO:** Siempre use guantes cuando manipule la bomba para reparaciones o trabajos de mantenimiento.

**AVISO:** Las reparaciones o mantenimiento de la bomba deben ser realizadas sólo por un personal capacitado. La bomba no contiene piezas de consumo que se puedan reparar.

Después de sacar la cubierta del depósito y la tubería de descarga necesaria, levante y saque la bomba del depósito.

### Desinfecte la bomba

Coloque la bomba en una zona en donde se pueda limpiar bien. Saque toda la oxidación y los depósitos acumulados en la bomba.

Sumerja toda la bomba en una solución desinfectante ("chlorox" o blanqueador con cloro) por lo menos durante una hora antes de desarmarla.

La caja del motor de la bomba contiene un aceite lubricante especial que se debe mantener limpio y sin agua en todo momento.

El depósito de recogida y la cubierta, la bomba y la tubería deben estar protegidos contra temperaturas heladas. Si hay riesgo de que ocurran temperaturas heladas, se deberá drenar la unidad. Consulte el manual de su bomba para obtener las instrucciones sobre cómo drenar la bomba y protegerla contra heladas.

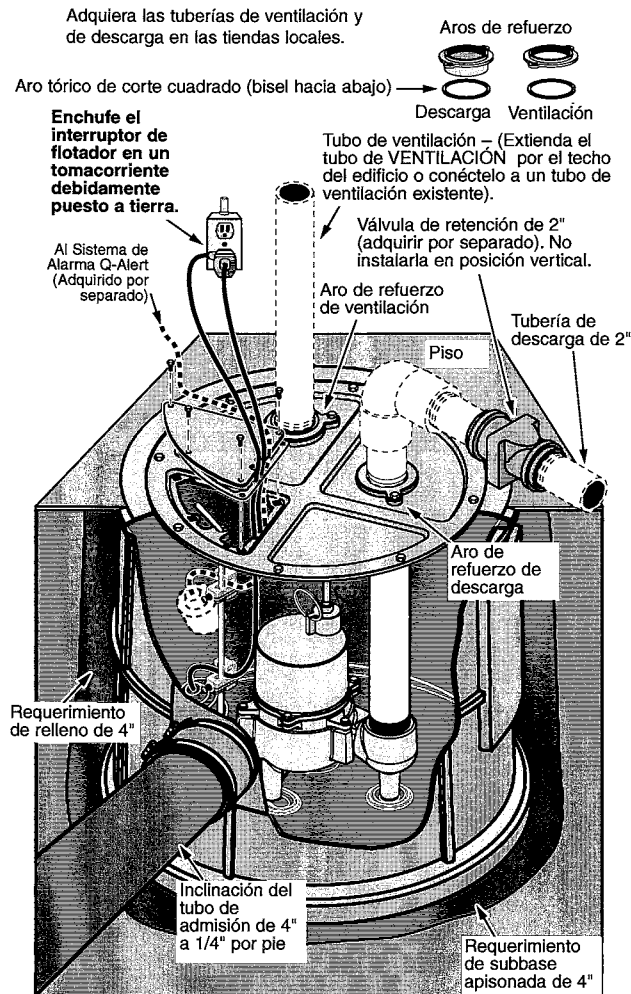
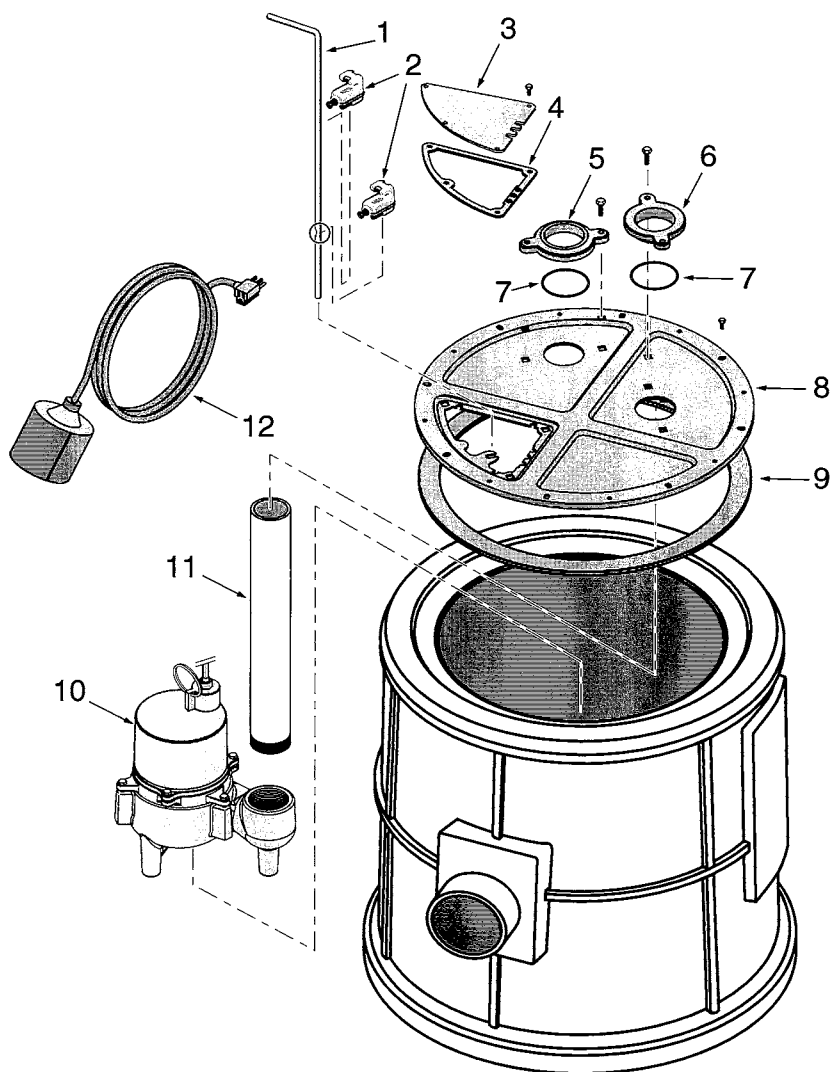


Figura 1 – Instalación típica

<p><b>ADVERTENCIA</b></p> <p><b>Riesgo de choque eléctrico. Puede quemar o matar. No levante la bomba por medio del cordón eléctrico.</b></p>	<p><b>ADVERTENCIA SOBRE SUJECCIÓN POR MEDIO DEL CORDÓN ELÉCTRICO</b></p>	<ol style="list-style-type: none"> <li>1. Si trata de levantar o sostener la bomba por medio del cordón eléctrico, podrá dañar el cordón y sus conexiones.</li> <li>2. El cordón se puede separar dejando los hilos expuestos, con la posibilidad de incendio o choque eléctrico.</li> <li>3. Si la bomba se levanta o se sostiene por medio del cordón eléctrico, se anulará la garantía.</li> <li>4. Use el aro o mango de sujeción en la parte superior de la bomba para levantarla y bajarla. Desconecte la corriente a la bomba antes de realizar algún trabajo en la bomba o de tratar de sacarla del sumidero.</li> </ol>
---	--	--



5756 0108

**⚠ ADVERTENCIA**

Peligro de ahogo para niños pequeños. No deje niños pequeños sin supervisión cerca del depósito si se ha retirado la tapa.

### PIEZAS DE REPARACIÓN – SISTEMAS CON INSTALACIÓN SANITARIA

Clave No.	Descripción de la pieza	Cant.	Pieza No.
1	Barra de flotador	1	27627B040
2	Abrazadera del cordón	2	27627B041
3	Escotilla	1	*
4	Empaquetadura de la escotilla	1	*
5	Aro de refuerzo de la ventilación	1	*
6	Aro de refuerzo de la descarga	1	*
7	Aro tórico de corte cuadrado	2	*
8	Unidad de la cubierta (incluye claves Nos. 3, 4, 5, 6, 7 y 9)	1	27627B020
9	Empaquetadura de la cubierta	1	*
10	Bomba de aguas residuales, 4/10 HP (SRM-BP)	1	SRM4MIC
10	Bomba de aguas residuales, 1/2 HP (CMV-BP)	1	CMV5M-11
11	Tubería de descarga - 2" x 18-3/8" TOE, Categoría 80	1	**
12	Interruptor de flotador de ángulo grande	1	21813B131

\* Incluido en la unidad de la cubierta, Clave No. 8

\*\* Adquirir a nivel local.



## PROBLEMAS – SOLUCIONES

**▲ ADVERTENCIA** Arranques repentinos – Si la corriente a la bomba está activada cuando se reposiciona el protector de sobrecarga térmica, la bomba puede comenzar a funcionar sin previo aviso. Si usted está trabajando en la bomba, puede recibir un choque eléctrico o el impulsor puede atrapar los dedos o las herramientas. Desconecte la corriente antes de realizar servicios de reparación o mantenimiento en la bomba.

<p><b>A. La bomba no funciona:</b></p>	<ol style="list-style-type: none"> <li>1. Asegúrese de que el cordón de corriente esté enchufado firmemente en el tomacorriente o conectado firmemente en el controlador o en la caja del interruptor. Desconecte la corriente al tomacorriente antes de manipular la bomba o el motor.</li> <li>2. Asegúrese de que haya corriente eléctrica.</li> <li>3. Verifique que el nivel del fluido líquido esté lo suficientemente alto como para activar el interruptor o el controlador.</li> <li>4. Verifique que el orificio de ventilación contra bolsas de aire en la descarga de la bomba no esté obturado.</li> <li>5. Verifique que la admisión de la bomba, el impulsor, la válvula de retención o la tubería de descarga no estén bloqueados.</li> <li>6. Desconecte la bomba de la fuente de corriente por un mínimo de 30 minutos para permitir que el motor se enfríe y protegerse contra arranques repentinos. Consulte la Advertencia que precede. Verifique cuál es la causa del recalentamiento. La bomba está marchando en seco debido a que el interruptor de flotador está atascado en algo. La tubería de admisión está tapada. La tubería de salida está tapada.</li> </ol>
<p><b>B. La bomba no vacía el sumidero:</b></p>	<ol style="list-style-type: none"> <li>1. Asegúrese de que las válvulas en la tubería de descarga estén completamente abiertas.</li> <li>2. Limpie la tubería de descarga y la válvula de retención.</li> <li>3. Verifique que no hayan bloqueos en la admisión de la bomba o en el impulsor.</li> <li>4. El tamaño de la bomba es inadecuado. Es posible que se requiera una bomba de mayor capacidad.</li> </ol>
<p><b>C. La bomba no se apaga:</b></p>	<ol style="list-style-type: none"> <li>1. Verifique la operación y la ubicación de los flotadores automáticos del interruptor o del controlador. Consulte las instrucciones de instalación del interruptor/controlador.</li> <li>2. Si la bomba no funciona en absoluto o continúa funcionando mal, consulte a su experto local de servicio.</li> </ol>

## GARANTÍA LIMITADA

F.E. MYERS le garantiza al comprador/consumidor original ("Comprador" o "Usted") de los productos enumerados abajo, que estos estarán libres de defectos en material y mano de obra durante el Período de Garantía indicado a continuación.

<u>Producto</u>	<u>Período de Garantía</u>
Bombas de chorro, pequeñas bombas centrífugas, bombas sumergibles y accesorios asociados	<i>lo que ocurra primero:</i> 12 meses desde la fecha de la instalación inicial, o 18 meses desde la fecha de fabricación
Tanques de devanado de fibra de vidrio	5 años desde la fecha de la instalación inicial
Tanques a presión de acero	5 años desde la fecha de la instalación inicial
Productos para sumideros/aguas residuales/efluente	12 meses desde la fecha de la instalación inicial, o 18 meses desde la fecha de fabricación

Nuestra garantía no se aplicará a ningún producto que, a nuestro sólo juicio, haya sido sometido a negligencia, mal uso, instalación inadecuada o mal mantenimiento. Sin perjuicio a lo que antecede, la garantía quedará anulada en el caso en que un motor trifásico se haya usado con una fuente de alimentación monofásica, a través de un convertidor de fase. Es importante indicar que los motores trifásicos deben estar protegidos por relés de sobrecarga de disparo extra-rápido, con compensación ambiental de tres etapas, del tamaño recomendado, de lo contrario, la garantía quedará anulada.

Su único recurso, y la única obligación de F.E. MYERS es que F.E. MYERS repare o reemplace los productos defectuosos (a juicio de F.E. MYERS). Usted deberá pagar todos los cargos de mano de obra y de envío asociados con esta garantía y deberá solicitar el servicio bajo garantía a través del concesionario instalador tan pronto como se descubra un problema. No se aceptará ninguna solicitud de servicio bajo garantía que se reciba después del vencimiento del Período de Garantía. Esta garantía no se puede transferir.

F.E. MYERS NO SE HARÁ RESPONSABLE DE NINGÚN DAÑO CONSECUENTE, INCIDENTAL O CONTINGENTE.

LAS GARANTÍAS QUE ANTECEDEN SON EXCLUSIVAS Y EN LUGAR DE TODA OTRA GARANTÍA EXPLÍCITA O IMPLÍCITA, INCLUYENDO PERO SIN LIMITARSE A LAS GARANTÍAS IMPLÍCITAS DE COMERCIABILIDAD E IDONEIDAD PARA UN FIN ESPECÍFICO. LAS GARANTÍAS QUE ANTECEDEN NO SE EXTENDERÁN MÁS ALLÁ DE LA DURACIÓN EXPRESAMENTE SUMINISTRADA EN LA PRESENTE.

Algunos estados no permiten la exclusión o limitación de daños incidentales o consecuentes o de limitaciones de tiempo sobre garantías implícitas, de modo que es posible que las limitaciones o exclusiones que preceden no correspondan en su caso. Esta garantía le otorga derechos legales específicos y es posible que usted también tenga otros derechos que pueden variar de un estado al otro.

Esta garantía reemplaza toda garantía publicada anteriormente.

**F.E. MYERS**  
**1101 Myers Parkway, Ashland, OH 44805-1989**  
**Teléfono: 419-289-6898 • Fax: 419-289-6658 • [www.femyers.com](http://www.femyers.com)**



**F.E. MYERS**  
**1101 Myers Parkway, Ashland, OH 44805-1989**  
**Phone: 419-289-6898 • Fax: 419-289-6658 • [www.femyers.com](http://www.femyers.com)**