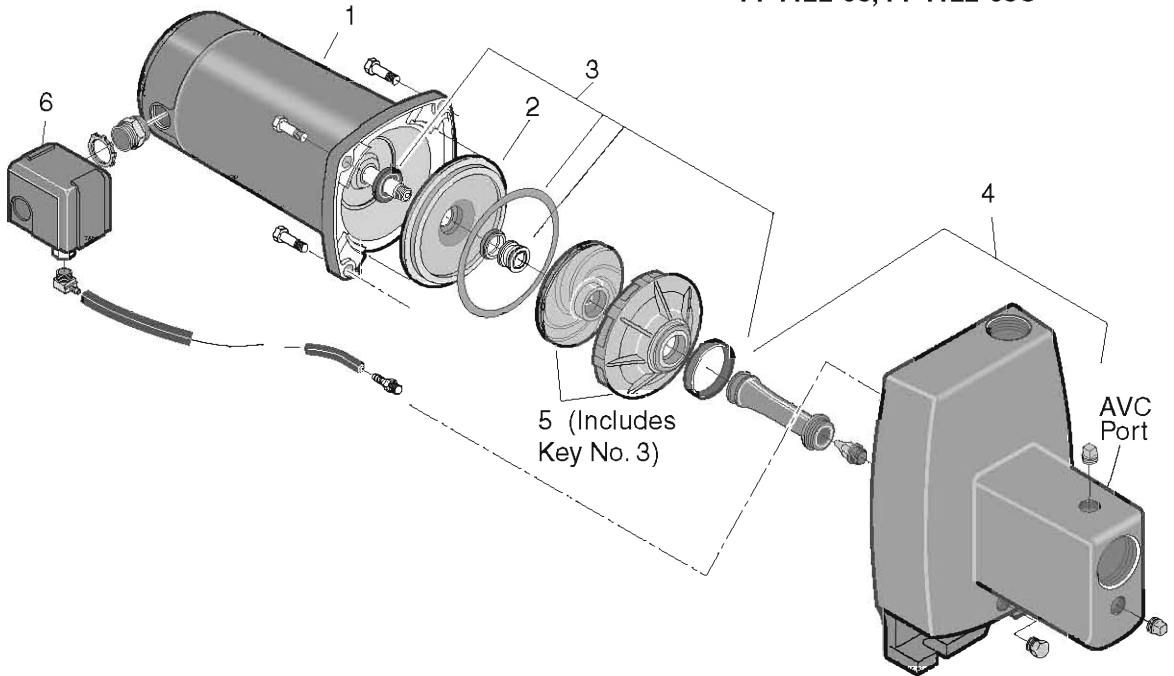


**FP4112-08, FP4112-08C
FP4122-08, FP4122-08C**



Models FP4112-08, FP4112-08C, FP4122-08, FP4122-08C

Key No.	Part Description	Cast Iron Model and HP	
		FP4112-08 FP4112-08C 1/2HP	FP4122-08 FP4122-08C 3/4HP
1	Motor	J218-577PKG	J218-590PKG
2	Seal Plate Assembly	N3-1043P	N3-1043P
3	Seal and Gasket Kit**	FPP1550	FPP1550
4	Pump Body Assembly§	N176-38	N176-38F
5	Overhaul Kit§§	FPP1560	FPP1561
6	Pressure Switch	U217-1202	U217-1202

** Includes: Water slinger, seal plate O-Ring or gasket, shaft seal, and diffuser O-Ring or gasket. Series FP4000 includes diffuser pad also.

*** Included in model FP401215H-04 or FP401215H-04C (as applicable).

§ Includes: Pump body, nozzle, and venturi. Series FP4000 includes venturi O-Ring; does not include check valve.

§§ Includes: Seal and Gasket Kit (Key No. 3), impeller, and diffuser. Series FP4000 includes seal plate insert also.