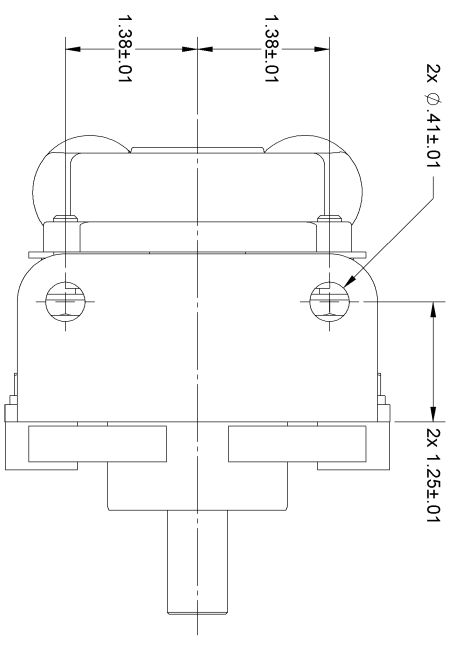
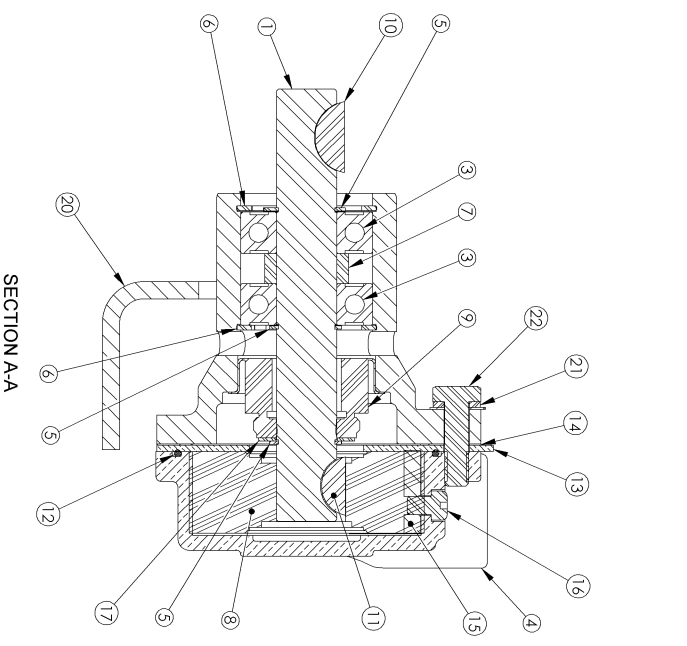
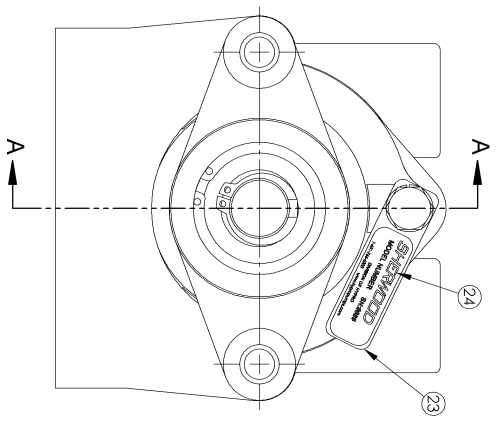
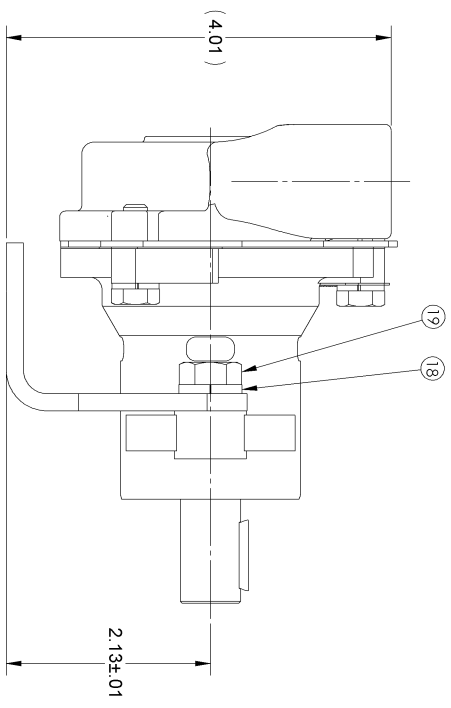


- NOTES:
1. PRINT MODEL AND DATE CODE ON 23083 LABEL, (24).
  2. APPLY PERMATEX TO CAM SCREW, (17) BEFORE ASSEMBLY.
  3. USE COOLANT TO AID IN INSTALLATION OF RUBBER IMPELLER, (8).
  4. USE WATER ONLY WHEN INSTALLING TYPE 6A SEAL/SEAT ASSY, (10).
  5. TORQUE 1/4-20 HHCS, (22) TO 5 - 8 FT/LBS.

ITEM NO.	PART NUMBER	DESCRIPTION	QTY.
1	21578	SHAFT	1
2	12227	BODY	1
3	12211	BALL BEARING	2
4	18451	HOUSING - MACHINED	1
5	04258	EXT. RETAINING RING	3
6	04259	INT. RETAINING RING	2
7	05133	SPACER	1
8	9000	RUBBER IMPELLER	1
9	12314	TYPE 6A SEAL/SEAT ASSY	1
10	04432	WOODRUFF KEY	1
11	18576	KEY, WOODRUFF	1
12	12231	O-RING	1
13	12856	WEAR PLATE	1
14	12855	GASKET	1
15	18663	CAM	1
16	10195	CAM SCREW 10-32NFT	1
17	04264	FLAT WASHER	1
18	04991	LOCKWASHER	1
19	11633	HHCS 3/8-16 UNC	2
20	12393	MOUNTING BRACKET	2
21	12710	LOCKWASHER	3
22	12857	1/4-20 HHCS	3
23	13285	TAG	1
24	23083	LABEL	1



REV.	ECN	REVISION DESCRIPTION	CHKD	DATE	REV.	ECN	REVISION DESCRIPTION	CHKD	DATE
0	4627	RECOVER 1225 SEAT ASS'Y AND NOTES, MODEL 6A SEAL/SEAT ASS'Y FOR BOUNTY	DV	11-13-2006					
8	5977	ADDED NOTES 3 & 4	DV	8/2/206					
8	5814	UPDATE ROA DRAWING	DV	8/2/206					

DRAWING BASED ON ASME Y14.5M-1994		DO NOT SCALE PRINT	SCALE	SHEET NUMBER	1 OF 1
DRAWING BASED ON ASME Y14.5M-1994		DO NOT SCALE PRINT	SCALE	SHEET NUMBER	1 OF 1
DRAWING BASED ON ASME Y14.5M-1994		DO NOT SCALE PRINT	SCALE	SHEET NUMBER	1 OF 1

REV.	REV.	REV.	REV.

**SHERWOOD**  
*A Div. of Hypco Corporation A PERIAR COMPANY*  
 375 Fifth Avenue NW, New Brighton, MN 55112 (651) 764-6300

REPLACES PART NO. \_\_\_\_\_ REV. \_\_\_\_\_

DWG BY: \_\_\_\_\_ DATE: \_\_\_\_\_  
 CHECKED BY: \_\_\_\_\_ DATE: \_\_\_\_\_  
 APPROVED BY: \_\_\_\_\_ DATE: \_\_\_\_\_

THIS DRAWING IS THE PROPERTY OF HYPKO AND WITHOUT WRITTEN AUTHORIZATION, IT SHALL NOT BE LOANED, REPRODUCED, COPIED OR TRANSMITTED IN ANY FORM OR BY ANY MEANS, ELECTRONIC OR MECHANICAL, INCLUDING PHOTOCOPYING, RECORDING, OR BY ANY INFORMATION STORAGE AND RETRIEVAL SYSTEM.

PART NUMBER **G11**