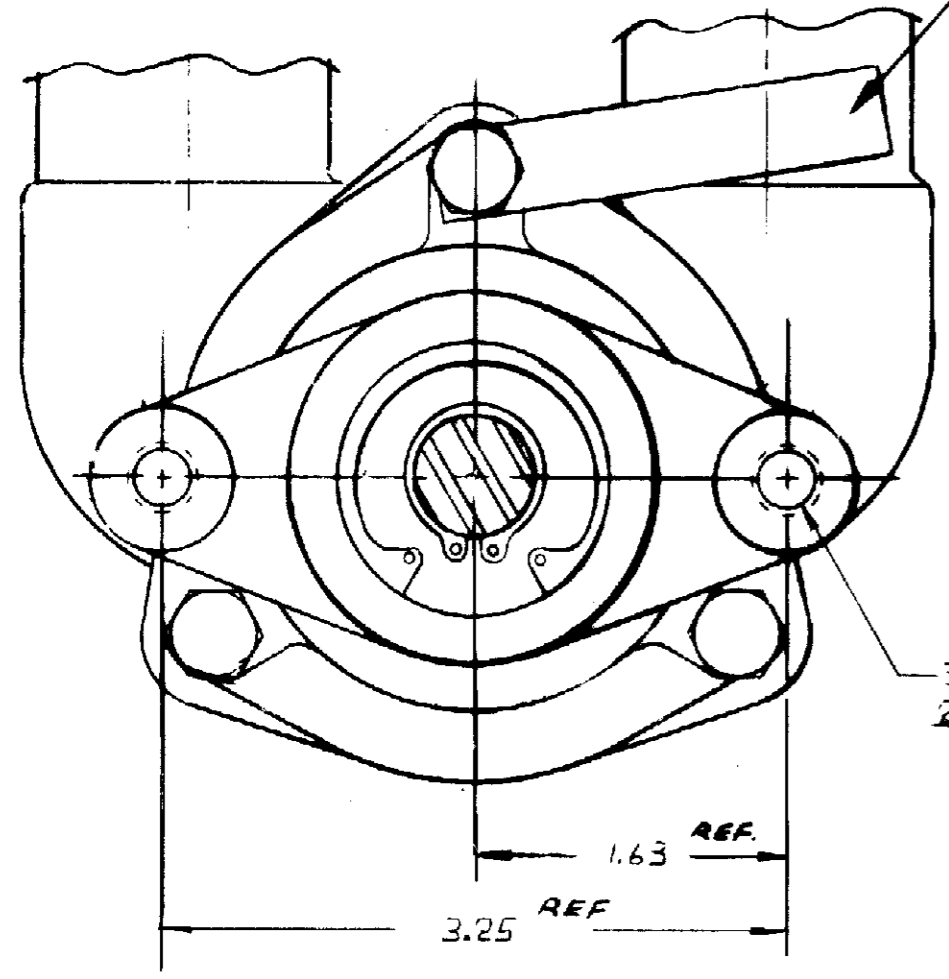
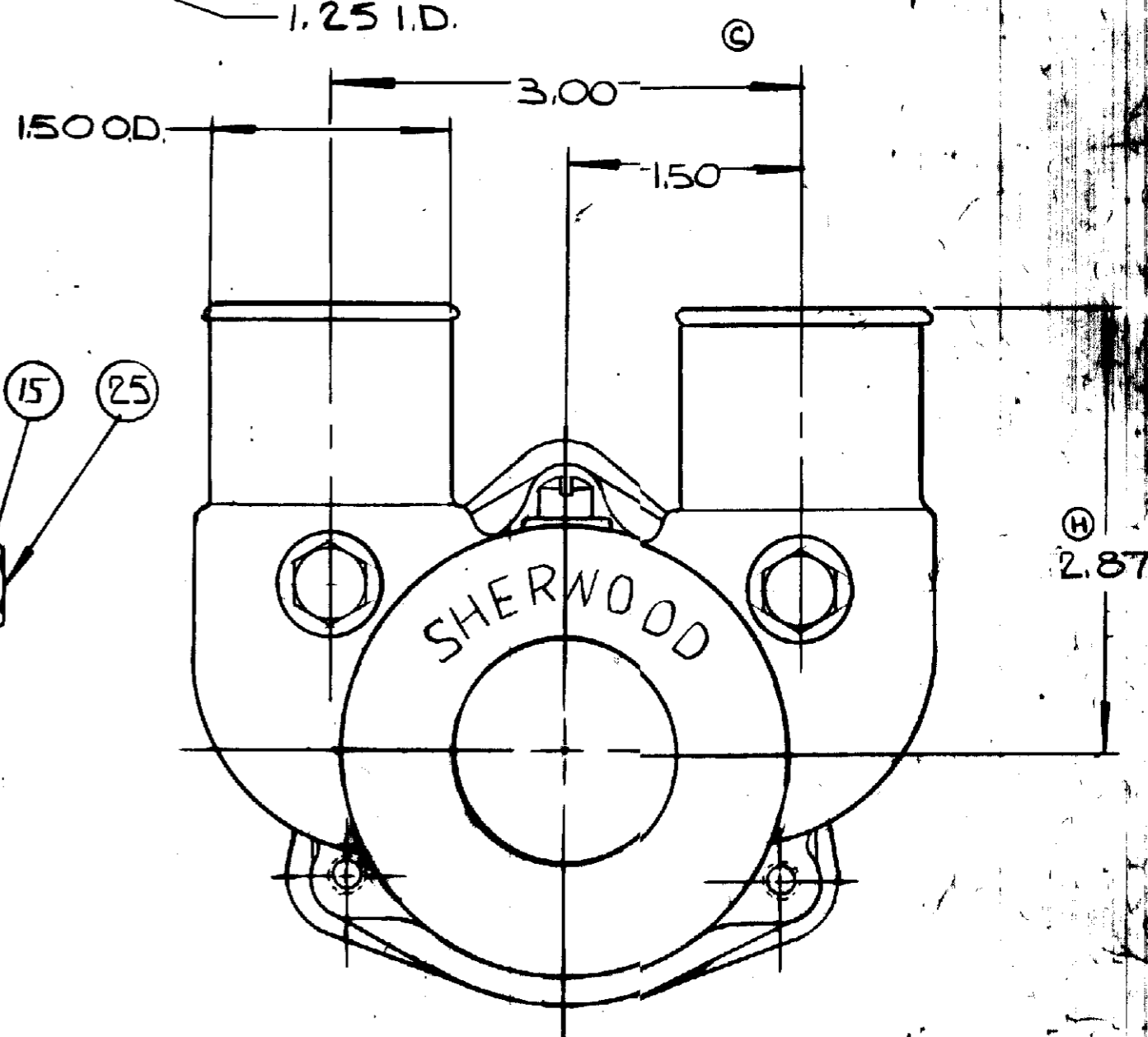
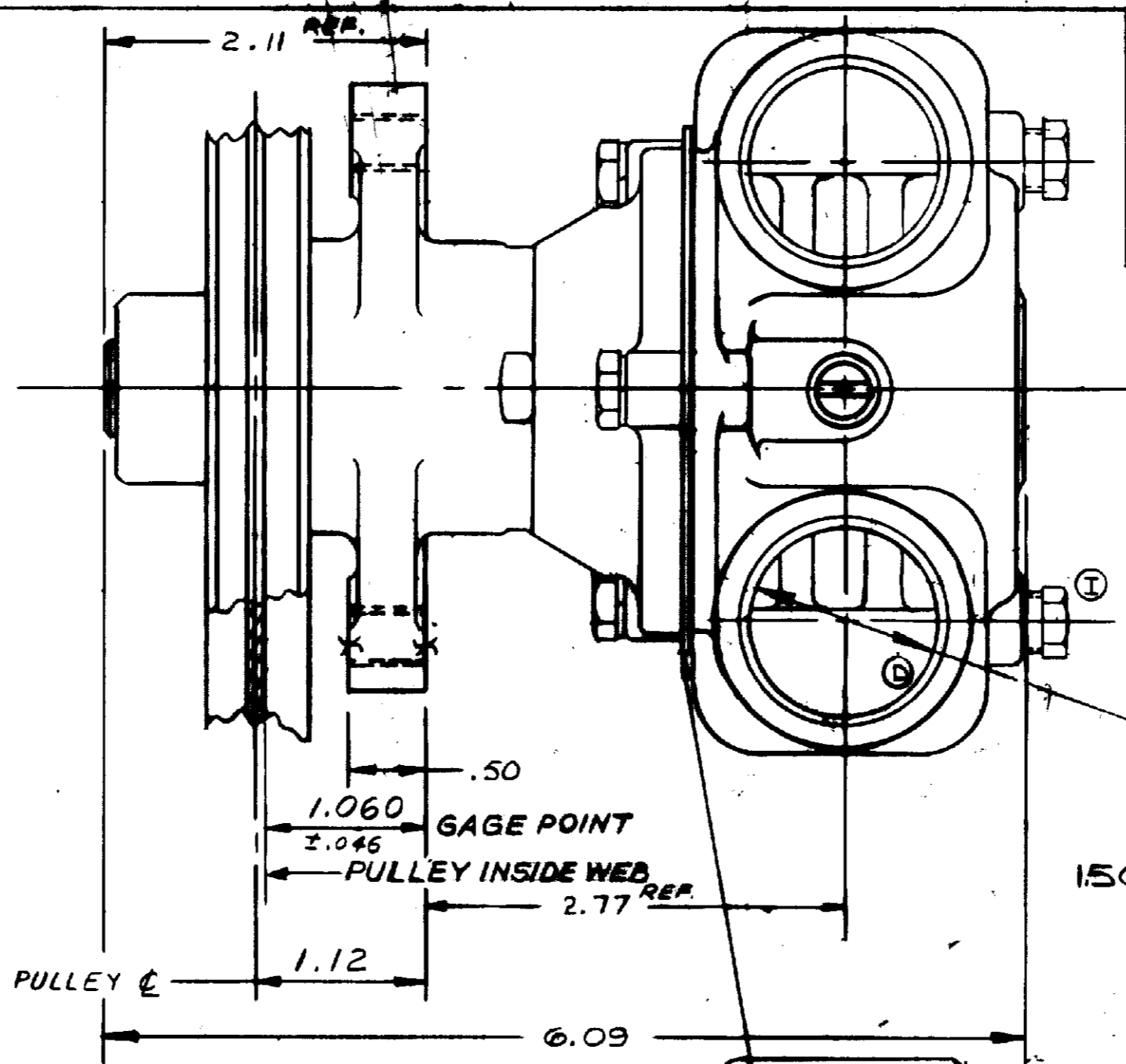


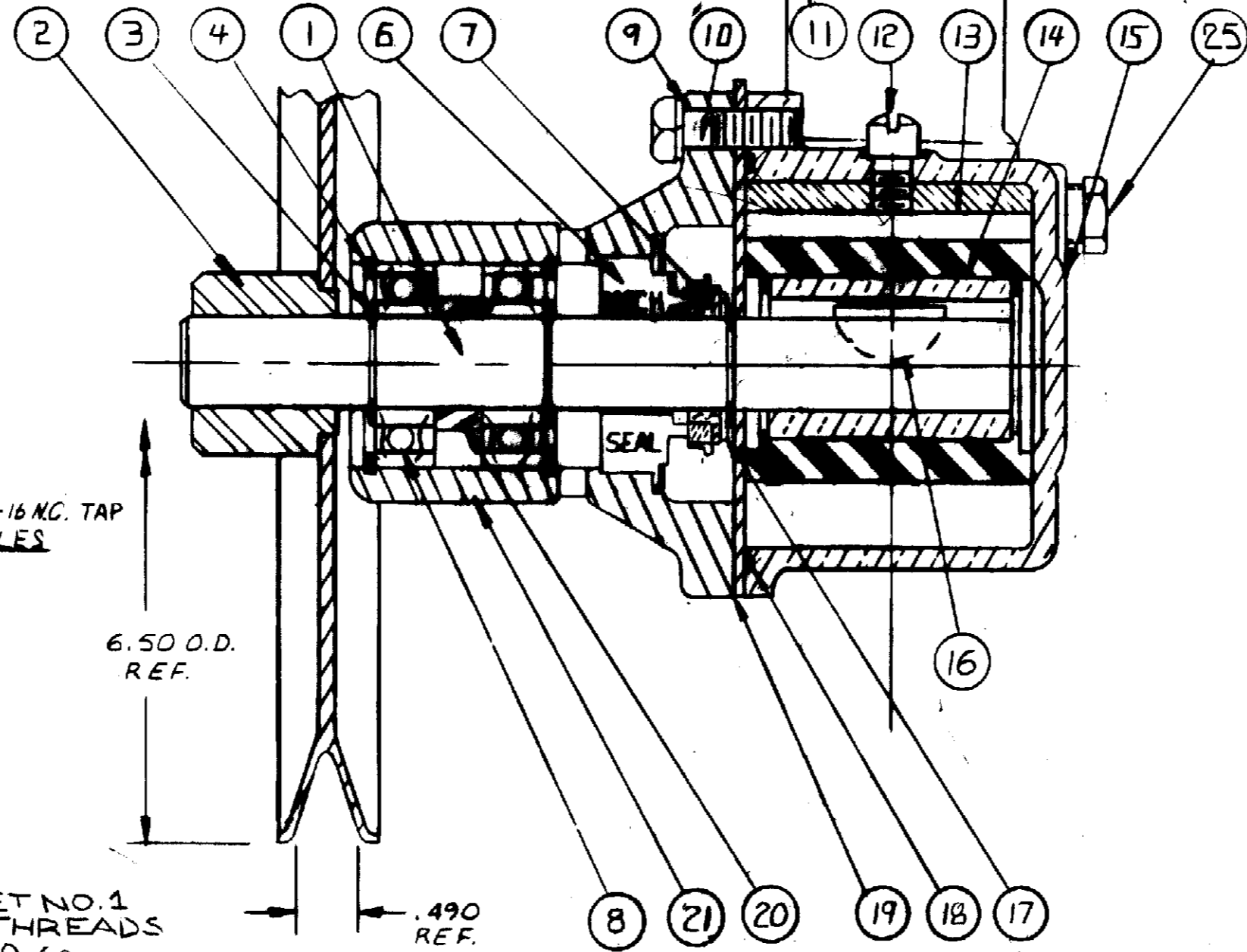
PARTS LIST

ITEM	PART NO.	DESCRIPTION	REQ'D
1	19570	SHAFT	1
2	15055	PULLEY ASSEMBLY	1
3	4258	RET. RING EXT.	3
4	4259	RET. RING INT.	2
5	13285	TAG	1
6	12314	MECH SEAL	1
7	12256	SEAL SEAT	1
8	12211	BALL BEARING	2
9	12710	1/4 LIGHT LOCKWASHER	3
10	12857	CAPSCREW 1/4-20X7/8	3
11	12856	END PLATE	1
12	19995	SCREW 1/4-20X3/8	1
13	18314	CAM (230)	1
14	15000	IMPELLER	1
15	19880	HOUSING	1
16	4432	N#9 WOODRUFF KEY	1
17	4264	THRUST WASHER	1
18	12231	O RING	1
19	12855	GASKET	1
20	5133	SPACER BRG	1
21	12227	BODY	1
22	17659	CARTON	1
23	2209	LABEL	1
24	17653	TIFFY BAG N#5	1
25	330	PIPE PLUGS	2

SERVICE KIT		
KIT	PART N#	ITEM N#S
SEAL AND SEAT	12859	6 (1) & 7 (1)
MAJOR REPAIR KIT #		
MINOR REPAIR KIT # 15979		



(F)
(A)
(B)
(E) (J)
(I) (S)



NOTES

1) APPLY PERMATHEX FORM A GASKET NO. 1 (HARD SETTING) SEALANT TO THREADS AND BASE OF HEAD OF ITEM NO. 6 PRIOR TO INSTALLATION.

STAMP MODEL NO. & DATE CODE ON NO. 13285 TAG AND ATTACH AS SHOWN.

REV.	DESCRIPTION	DATE	BY
	I ADDED PIPE PLUGS	2/21/91	EM
	H WAS 2.75	2/12/91	EM
	G PERMATHEX NOTE ADDED	5/10/92	SM
	F PART NO. WAS 10515 NOW 19995	5/10/92	SM
	E PART NO. WAS 12227 NOW 21144	5/10/92	SM
	D ADDED CHAMFER TO PORTS	5/10/92	SM
	C ADDED PORT LOCATIONS	5/10/92	SM
	WAS 17684		
	WAS 18269 TO 18314		
	J WAS 21144		

UNLESS OTHERWISE SPECIFIED TOLERANCE TO BE
 CAST DIMENSION ± .000
 MACHINED DIMENSION ± .010
 FINISH ± .010
 GENERAL ± .005
 HOLE ± .010
 UNLESS OTHERWISE SPECIFIED
 UNLESS OTHERWISE SPECIFIED
 UNLESS OTHERWISE SPECIFIED
 UNLESS OTHERWISE SPECIFIED

SHERWOOD

DESIGNER	DATE	CHECKED	DATE
KB	3-21-91	AVB	4/9/91

TITLE: RUBBER IMPELLER PUMP
 SEE DETAILS: G155