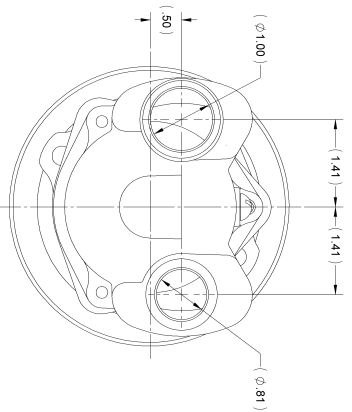
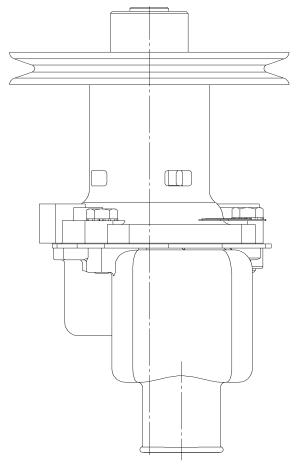
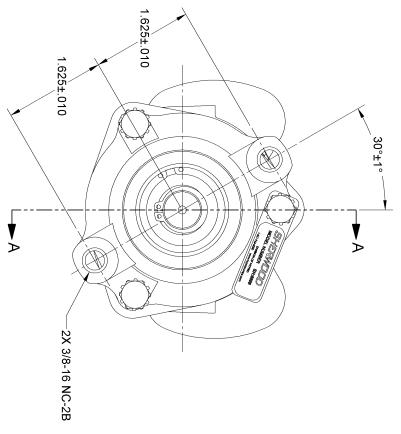
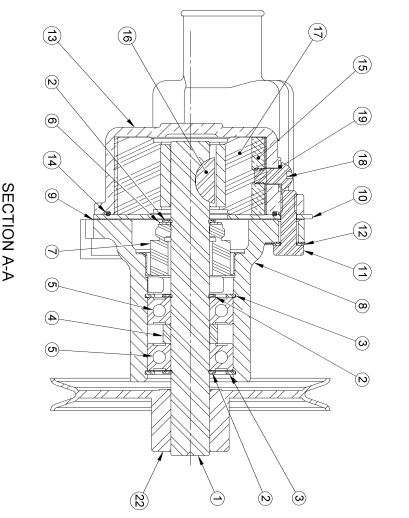
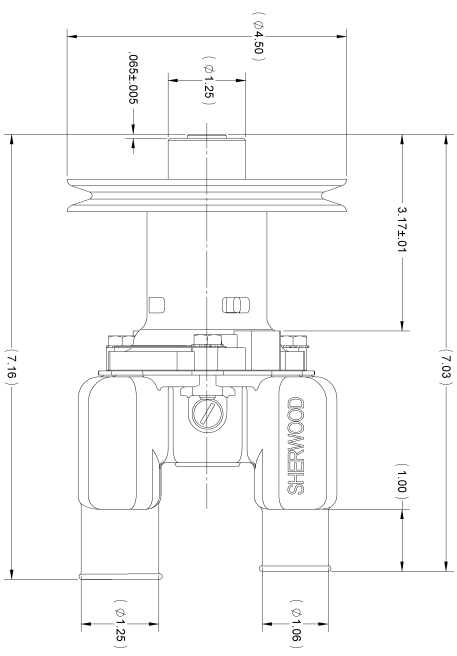


| ITEM NO. | PART NUMBER | DESCRIPTION | QTY. |
|----------|-------------|------------------------|------|
| 1 | 14309 | SHAFT | 1 |
| 2 | 04256 | EXT. RETAINING RING | 3 |
| 3 | 04259 | INT. RETAINING RING | 3 |
| 4 | 05133 | SPACER | 1 |
| 5 | 04254 | FLAT WASHER | 2 |
| 6 | 04254 | FLAT WASHER | 1 |
| 7 | 12314 | TYPE 6A SEAL/SEAT ASSY | 1 |
| 8 | 21759 | BODY - MACHINED | 1 |
| 9 | 12855 | WRENCH FLUTE | 1 |
| 10 | 12857 | 1/4-20 HHCS | 3 |
| 11 | 21757 | LOCKWASHER EXT TOOTH | 3 |
| 12 | 21757 | HOUSING | 1 |
| 13 | 21151 | WOODRUFF KEY | 1 |
| 14 | 15683 | CAM | 1 |
| 15 | 15683 | CAM | 1 |
| 16 | 04432 | RUBBER IMPELLER | 1 |
| 17 | 09959 | SCREW 1/4-20 ROUND HD | 1 |
| 18 | 15995 | CAM TAG | 1 |
| 19 | 13285 | CAM TAG | 1 |
| 20 | 13285 | CAM TAG | 1 |
| 21 | 23083 | PULLEY | 1 |
| 22 | 21175 | PULLEY | 1 |

NOTES:

1. APPLY BEAD OF PERMATEX AROUND THREADED HOLE IN CAM PRIOR TO ASSEMBLY. (ITEM 15).
2. USE WATER ONLY WHEN INSTALLING SEAL/SEAT ASSY. (ITEM 7).
3. USE COOLANT TO AID IN INSTALLATION OF RUBBER IMPELLER. (ITEM 17).
4. TORQUE 1/4-20 HHCS TO 5 - 8 FT/LBS. (ITEM 11).
5. PRESSURE TEST PUMP TO 20 - 30 PSI.
6. PRINT ON LABEL. (ITEM 21).



| REV. | DATE | DESCRIPTION |
|---|------------|------------------------------------|
| C | 11/20/2007 | REWORKED DESIGN FOR SAE 17 REGULAN |
| B | 04/02/2006 | CHANGE DRAWING TO 1201 1/2X3 1/2X4 |
| A | 04/02/2006 | NAME CHANGE INSTRUCTION |
| REV. <th>DATE</th> <th>DESCRIPTION</th> | DATE | DESCRIPTION |
| CHANGED | | |

SHERWOOD
A Division of Ingersoll Rand
3075 River Avenue, Ingersoll, Ontario, Canada L4G 3K3
Tel: 905-882-2200 Fax: 905-882-2201

DESIGNED BASED ON SAE 17 REGULAN 1/4-20X3 1/2X4 NC-2B
SCALE: 1:1
SHEET: 1 OF 1
PART NUMBER: G9903

REVISED PART NO. EVJ DATE: 03/17/1994
DESIGNED BY: TOC DATE: 03/17/1994
DRAWN BY: JLD DATE: 03/17/1994
CHECKED BY: JLD DATE: 03/17/1994
APPROVED BY: JLD DATE: 03/17/1994
THIS DRAWING IS THE PROPERTY OF INGEROLL RAND. IT IS TO BE USED ONLY FOR THE PROJECT AND PART NUMBER SPECIFIED HEREON. ANY REUSE OR MODIFICATION OF THIS DRAWING WITHOUT THE WRITTEN CONSENT OF INGEROLL RAND IS PROHIBITED.