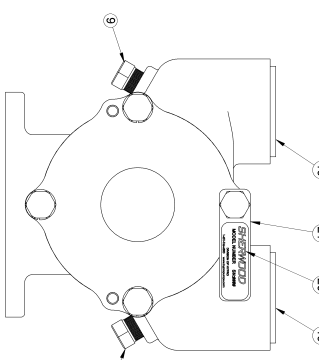
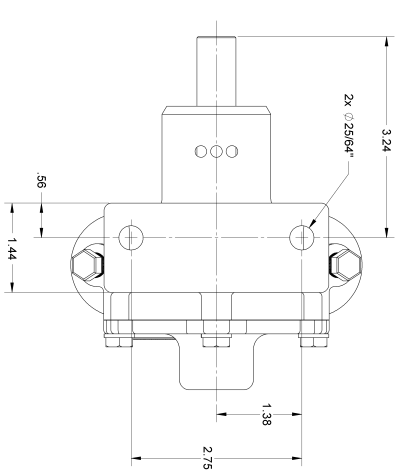
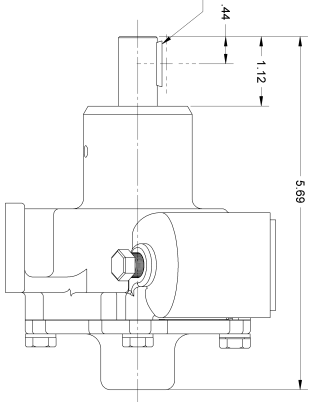
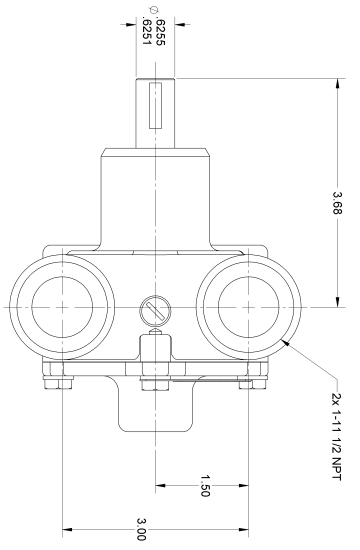
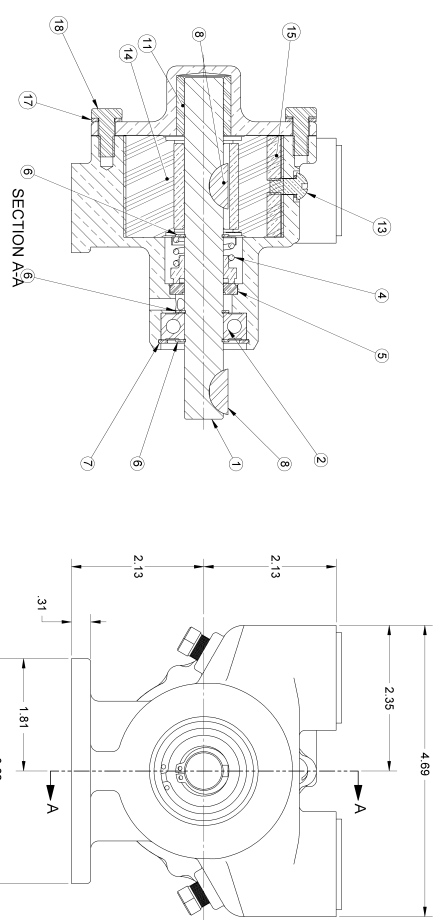


ITEM NO.	PART NUMBER	DESCRIPTION	QTY.
1	18502	SHAFT	1
2	18501	PACKING	1
3	18743	WATER SEAL - MACH	1
4	18743	WATER SEAL - TYPE 21	1
5	10926	SEAL SEAT RING	1
6	04258	KEY RETAINING RING	1
7	04432	WOODRUFF KEY	2
8	00336	PLUG	2
9	01311	DOVEL PIN	2
10	10182	BUSHING	1
11	10182	COVER	1
12	10182	COVER	1
13	10915C	CAM SCREW ASSY	1
14	10915	IMPELLER	1
15	10839	GASKET	1
16	10839	GASKET	1
17	12710	LOCKWASHER	4
18	17485	CAP SCREW 1/4-20	4
19	18390	PLUG - PLASTIC	2
20	18390	PLUG - PLASTIC	2
21	13285	TAG	1

- NOTES:
1. APPLY BEAD OF PERMATEX AROUND CAM THREADED HOLE PRIOR TO ASSEMBLY. (ITEM 13).
 2. USE PACEASE OR EQUIV. WHEN INSTALLING WATER SEAL. (ITEM 4).
 3. USE COOLANT TO AID IN INSTALLATION OF RUBBER IMPELLER. (ITEM 14).
 4. TORQUE CAP SCREW 1/4-20. (ITEM 18). TO 5-8 FT/LBS.
 5. PRESSURE TEST PUMP TO 20-30 PSI.
 6. PRING R102J AND DATE CODE ON LABEL. (ITEM 20).



SHERWOOD
 A Division of
 3075th Avenue NW, Seattle, WA 98112 (206) 764-6200

DESIGNED BY: **ANB** DATE: **8/19/88**
 DRAWING BASED ON: **SCALE: 1:1**
 SHEET NUMBER: **R102**
 PART NUMBER: **RUBBER IMPELLER PUMP ASSY**

REVISIONS PART NO. REV.
 DATE BY: **ANB** DATE: **8/17/88**
 APPROVED BY: **SCALE: 1:1**
 THE DRAWING IS THE PROPERTY OF SHERWOOD
 AND IS NOT TO BE REPRODUCED OR TRANSMITTED
 IN ANY FORM OR BY ANY MEANS WITHOUT THE
 WRITTEN PERMISSION OF SHERWOOD

REVISIONS PART NO. REV.
 DATE BY: **ANB** DATE: **8/17/88**
 APPROVED BY: **SCALE: 1:1**
 THE DRAWING IS THE PROPERTY OF SHERWOOD
 AND IS NOT TO BE REPRODUCED OR TRANSMITTED
 IN ANY FORM OR BY ANY MEANS WITHOUT THE
 WRITTEN PERMISSION OF SHERWOOD

REVISIONS PART NO. REV.
 DATE BY: **ANB** DATE: **8/17/88**
 APPROVED BY: **SCALE: 1:1**
 THE DRAWING IS THE PROPERTY OF SHERWOOD
 AND IS NOT TO BE REPRODUCED OR TRANSMITTED
 IN ANY FORM OR BY ANY MEANS WITHOUT THE
 WRITTEN PERMISSION OF SHERWOOD