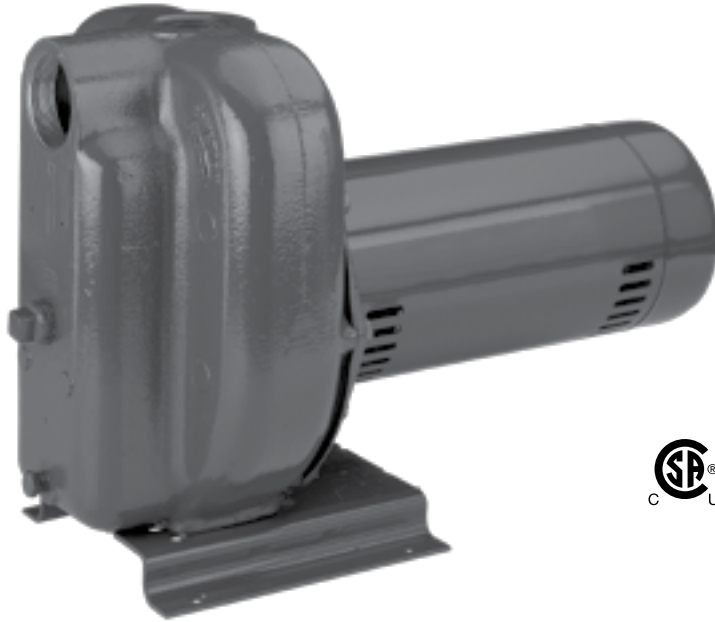


STA-RITE® DS2 Series

Self-Priming Centrifugal Pumps



Fast-priming DS2 Series pumps in 1 through 2-1/2 HP models, with a low-friction Lexan® or Noryl® impeller. These high head pumps feature leakproof mechanical seals, easy service design, heavy-duty motors and rugged construction. Self-priming after initial filling with water.

APPLICATIONS

Lawn sprinkling: Pumps can be safely operated by timer or other automatic device

Contractors: For dewatering excavation, jetting, water transfer and supply

Agriculture: Seed bed and plot irrigation, stock watering, fire protection

Industrial: Sump drainage, fire protection, marine pumping, liquid transfer and supply operations

SPECIFICATIONS

Body and Base: Close-grained cast iron

Impeller: Lexan® or Noryl®

Diffuser: Polypropylene

Shaft: Stainless Steel

FEATURES

Rugged Construction: Heavy-duty motors, easy service design

Drain Port: Provided for easy winterizing

High Head Models: Delivers up to 145' of head with capacities to 95 GPM

Easy Serviceability: Normal wearing parts are easily accessible for service and replacement, without disturbing piping or mounting

Heavy-Duty Motors: Designed for continuous operation. Capacitor start, will not cause electrical interference with TV or other appliances. Nationally known motors have ball bearing, stainless steel shaft. For single and three-phase operation, 3450 RPM.

ORDERING INFORMATION

HIGH HEAD

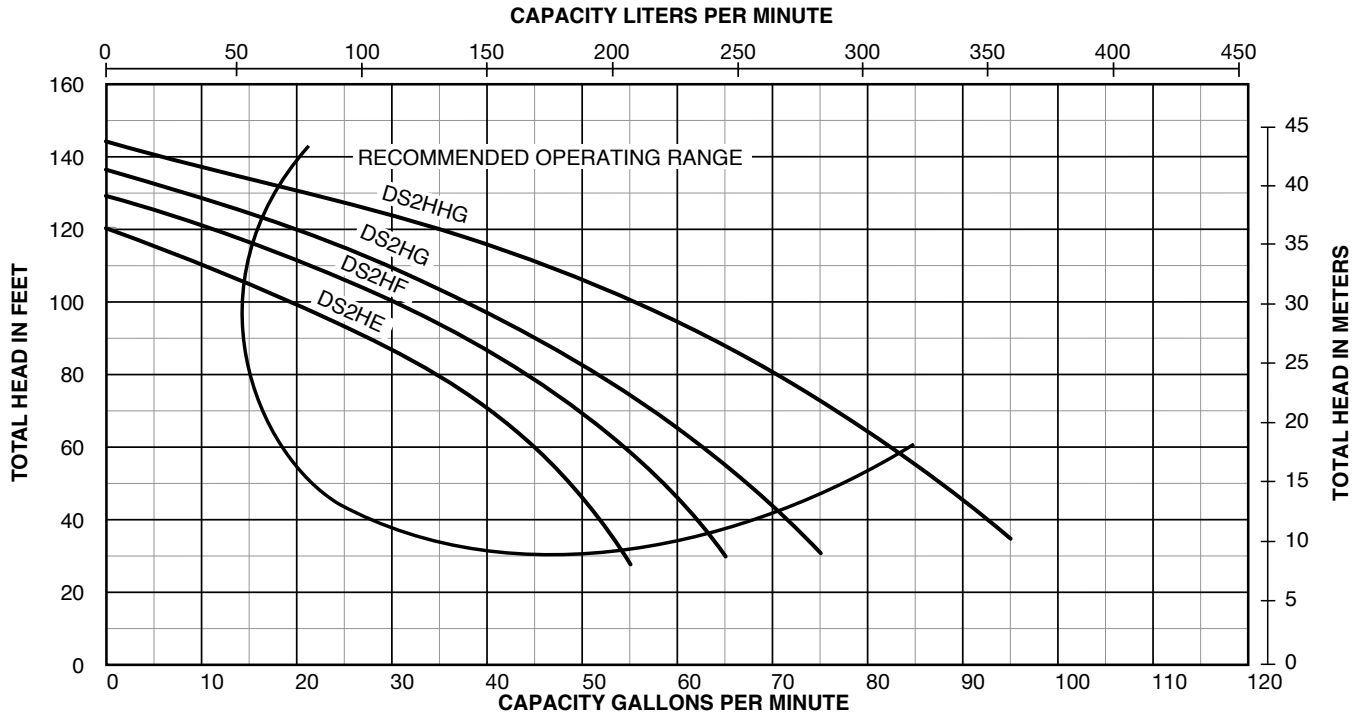
Catalog Number	HP	Pump/Motor Unit		Motor Voltage	Phase	Approx. Wt. Lbs.
		Suction	Discharge			
DS2HE	1	2"	1-1/2"	115/230	1	73
DS2HE3	1	2"	1-1/2"	208/230/460	3	73
DS2HF	1-1/2	2"	1-1/2"	115/230	1	79
DS2HF3	1-1/2	2"	1-1/2"	208/230/460	3	79
DS2HG	2	2"	2"	230	1	91
DS2HG3	2	2"	2"	208/230/460	3	91
DS2HHG	2-1/2	2"	2"	230	1	93
DS2HHG3	2-1/2	2"	2"	208/230/460	3	93

Pentair trademarks and logos are owned by Pentair plc or its affiliates. All other third party registered and unregistered trademarks and logos are the property of their respective owners.

STA-RITE® DS2 Series

Self-Priming Centrifugal Pumps

PUMP PERFORMANCE



PUMP PERFORMANCE (CAPACITY IN GALLONS PER MINUTE)

Catalog Number	HP	Discharge Pressure		Suction Lift in Feet				
		PSI	Feet Head	5'	10'	15'	20'	25'
DS2HE	1	20	46.2	46	43	41	38	35
		30	69.3	35	32	29	25	21
		40	92.4	19	15	10	-	-
DS2HF	1-1/2	20	46.2	55	53	51	49	46
		30	69.3	45	42	39	36	32
		40	92.4	31	27	22	18	12
DS2HG	2	20	46.2	64	62	59	57	51
		30	69.3	53	50	47	44	38
		40	92.4	38	35	31	26	20
		50	115.5	19	13	-	-	-
DS2HHG	2-1/2	20	46.2	76	70	65	59	46
		30	69.3	63	57	51	42	23
		40	92.4	48	38	23	-	-
		50	115.5	23	10	-	-	-

Tested and rated in accordance with Water Systems Council Standards.

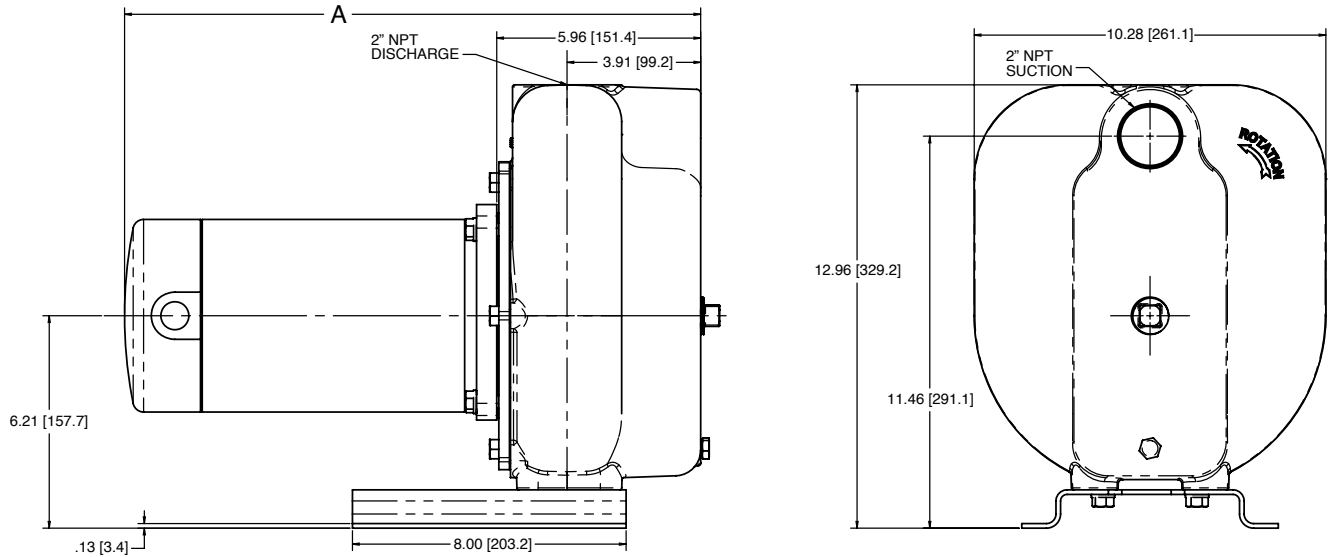
NOTE: Pumps installed with a Pro-Source® tank require a 100 PSI relief valve. Pumps installed with a conventional tank require a 75 PSI relief valve. Relife valve must be capable of relieving entire flow of pump at relief pressure.

Specifications are subject to change without notice.

STA-RITE® DS2 Series

Self-Priming Centrifugal Pumps

OUTLINE DIMENSIONS



Cat. No	HP	A*
DS2HHG	2-1/2	18.59
DS2HG	2	18.59
DS2HF	1-1/2	17.84
DS2HE	1	16.96

*Overall length [A] shown for single-phase motors. Three-phase motors are slightly smaller. Dimensions (in inches) are for estimating purposes only.



293 WRIGHT STREET, DELAVAN, WI 53115 WWW.STA-RITE.COM PH: 888-782-7483 ORDERS FAX: 800-426-9446
Because we are continuously improving our products and services, Pentair reserves the right to change specifications without prior notice.

S12027WS (01/31/17)