

STA-RITE® DPC Series

Self-priming centrifugal pump



The DPC Series self-priming centrifugal pump is a rugged cast iron pump capable of priming up to 20' vertically and will handle solids up to 0.225" diameter. The unit is equipped with a 1/2 HP 115-volt motor and features 1-1/4" suction and discharge.



APPLICATIONS

Effluent and Wastewater Removal
Sump Drainage
Dewatering
Circulation
Fountains

SPECIFICATIONS

Volute: Cast iron

Impeller: Polycarbonate

Diffuser: Thermoset

Shaft: One-piece threaded stainless steel

Base: Steel 12 gauge

Maximum Liquid Temperature Limits:
130°F (55°C)

FEATURES

Motor: 1/2 HP, 3450 RPM, 115-volt split phase, 60 Hz. Built-in thermal overload protection with automatic reset.

Mechanical Seal: Buna-N elastomers, carbon and ceramic sealing faces, stainless steel metal part.

Heavy-Duty Ball Bearings: Shielded, permanently lubricated bearings, extensively tested to ensure extended life and smooth, quiet operation.

Built-in Convenience: Comes complete with built-in overload protection with automatic reset and a built-in check valve.

Power Cord: 10', 115 volt.

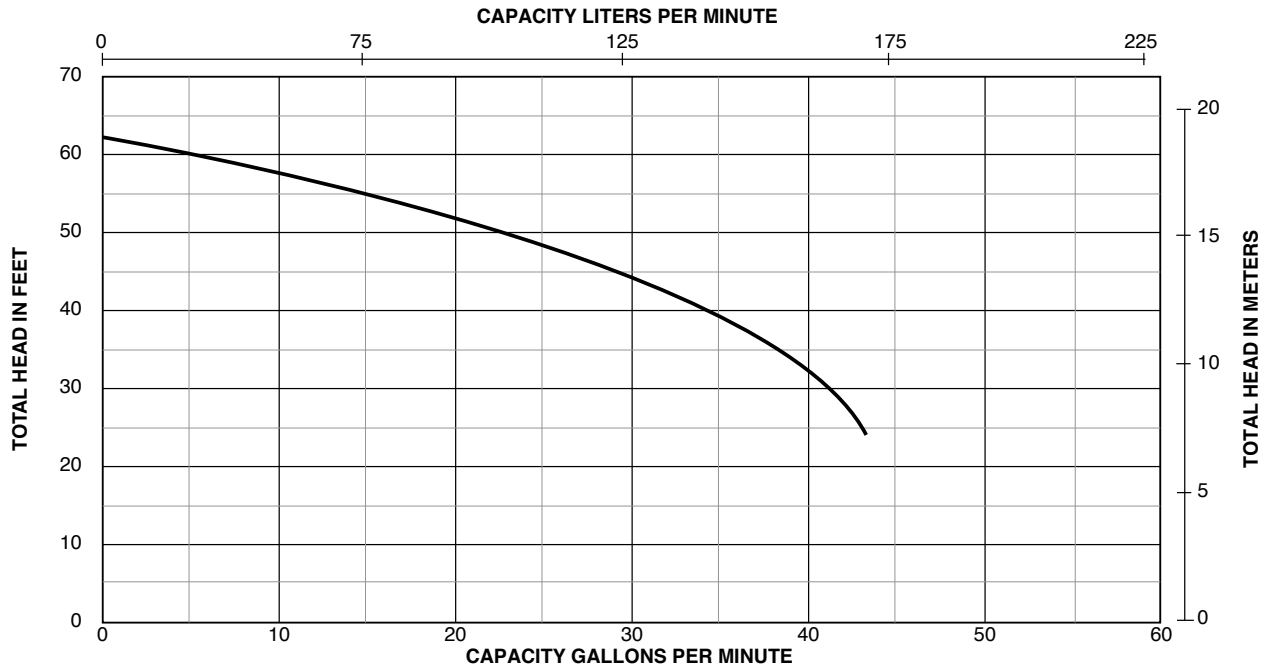
ORDERING INFORMATION

Catalog Number	HP	Volts	Phase/Cycles
DPC	1/2	115	1/60

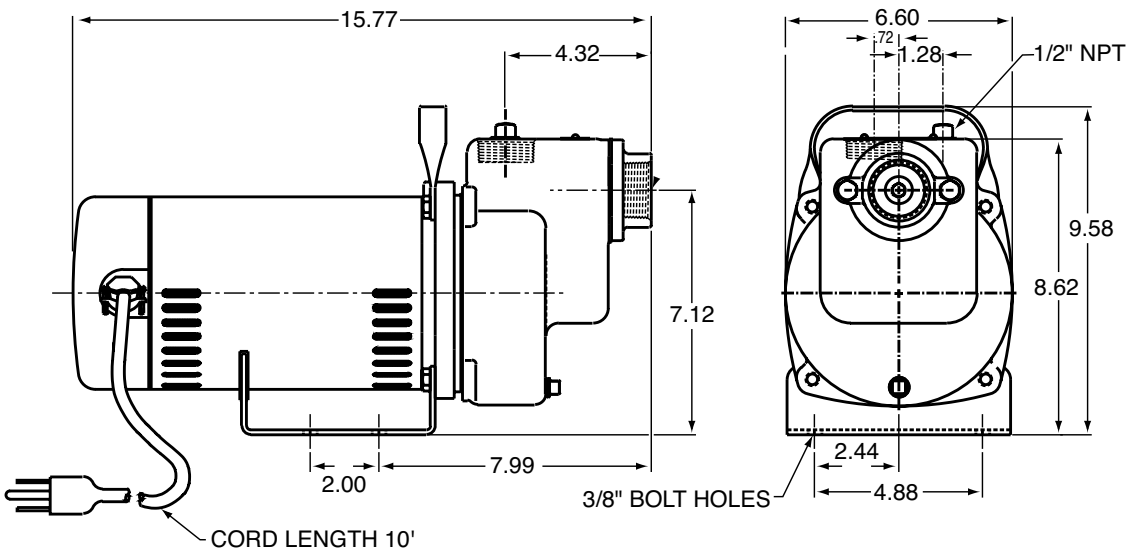
STA-RITE® DPC Series

Self-priming centrifugal pump

PUMP PERFORMANCE



OUTLINE DIMENSIONS



NOTE: 1-1/4" SUCTION AND DISCHARGE
ALL DIMENSIONS ± .06

Dimensions (in inches) are for estimating purposes only.



US: 293 WRIGHT STREET, DELAVAN, WI 53115 WWW.STA-RITE.COM PH: 888-782-7483 ORDERS FAX: 800-426-9446
CANADA: 490 PINEBUSH ROAD, UNIT 4, CAMBRIDGE, ONTARIO N1T 0A5 PH: 800-363-7867 ORDERS FAX: 888-606-5484
Because we are continuously improving our products and services, Pentair reserves the right to change specifications without prior notice.