



MYERS[®]
MODEL SRM4
4/10 HORSEPOWER
RESIDENTIAL SEWAGE PUMP



MYERS® MODEL SRM4 Residential Sewage Pump

The Right Choice

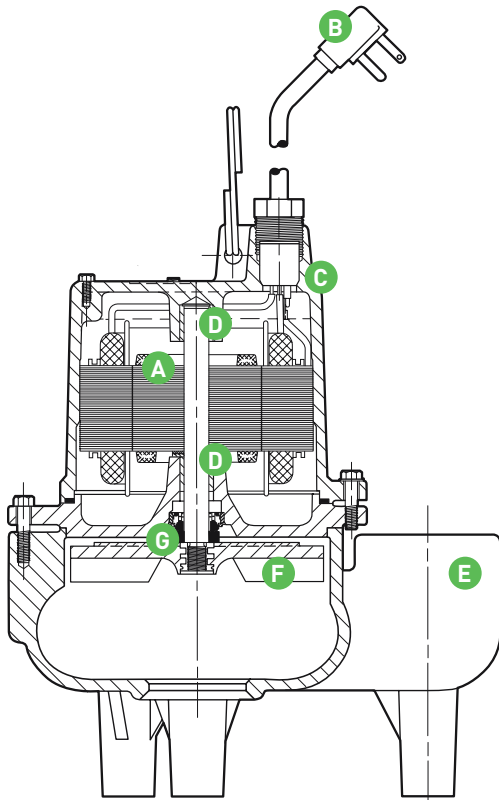
The SRM4 solids handling pump is the most reliable 4/10 horsepower residential sewage pump available today. The SRM4 is a plumbers/contractors dream! Its recessed impeller design allows 2" solids to pass freely through the volute without the chance of jamming the impeller. The SRM4 series pump has a national field-proven record of reliability. Look to your Myers distributor for the answer to your residential sewage handling needs ... and across the counter will be the Myers mini solids handling, the SRM4. It works for you! For more information, call your Myers distributor today, or the Myers Ohio sales office at 419-289-6898.



Product Capabilities		
Capacities To	95 gpm	360 lpm
Heads To	18 ft. 19 ft. shutoff	5.5 m 5.8 m
Pump Down Range Float Switch	7 to 14 in.	178 to 356 mm
Solids Handling Capacity	2 in.	50.8 mm
Liquids Handling	raw sewage, effluent, drain water	
Intermittent Liquid Temp.	up to 140°F	up to 60°C
Motor Electrical Data	4/10 HP shaded pole 1650 RPM	
Electrical	115V, 12A or 230V, 6A, 1Ø, 60 Hz.	
Acceptable pH Range	6 - 9	
Discharge, NPT	2 in.	50.8 mm
Min. Sump Diameter		
Simplex	18 in.	457 mm
Duplex	30 in.	762 mm

Note: Consult factory for applications outside these recommendations.

Pump Features and Applications



A. 4/10 HP Motor

Pressed in place and oil-filled for best alignment and heat transfer. Built-in overload protection.

B. Power Cord

Quick-disconnect watertight fitting.

C. Motor Housing

Heavy cast iron for efficient heat transfer.

D. Dual Thrust Washers, Sleeve Bearings

Oil lubricated, enhance smooth operation and extend pump life..

E. Cast Iron Volute

Passes 2" diameter solids.

F. Recessed Impeller

Operates out of volute passage, allowing maximum flow of liquids and solids.

G. Mechanical Shaft Seal

Carbon and ceramic faces, body is stationary, prevents string or trash from winding on seal..

Mechanical Float Switch

Mercury-free, 90° angle operation. (Piggyback models only).

Durable Motor Will Deliver Many Years Of Reliable Service.

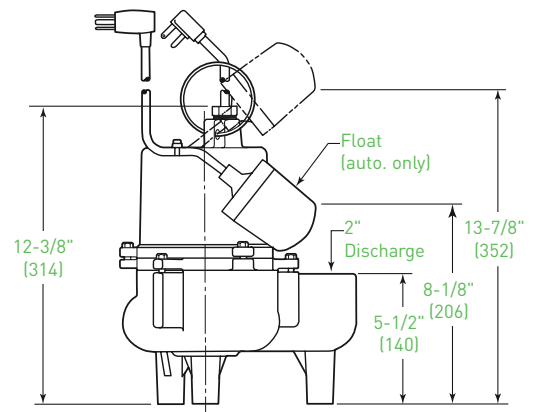
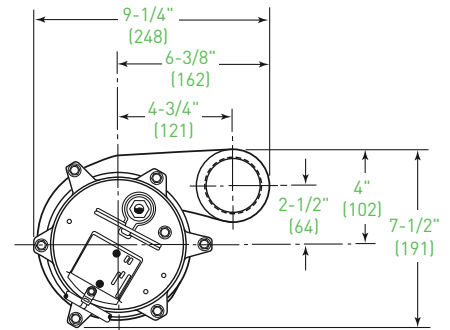
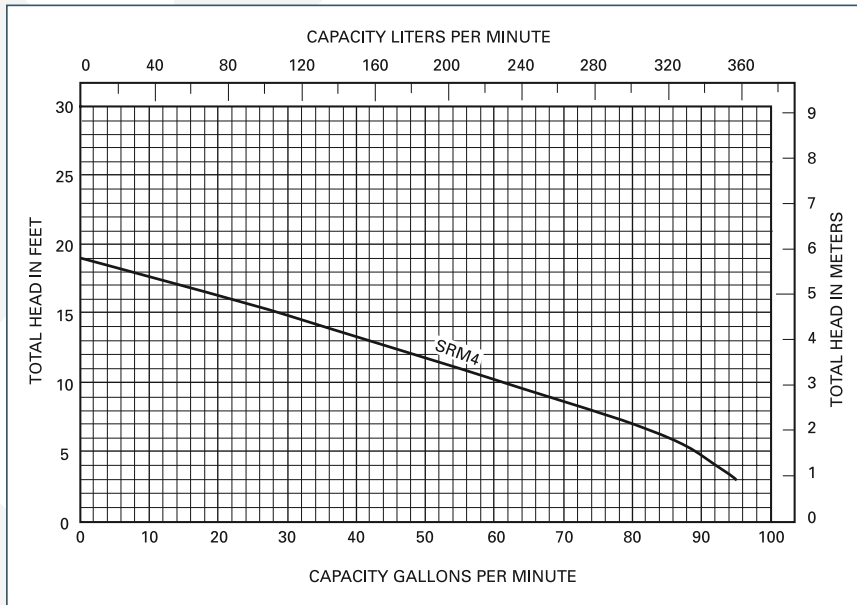
- Oil-filled motor for maximum heat dissipation and continuous bearing lubrication.
- Overload protected shaded pole motor eliminates starting switches.
- Recessed vortex impeller provides minimal radial loading for long bearing life.

The SRM4P Is Engineered For Many Years Of Maintenance-Free Operation.

- Wide-angle piggy-back float switch for maximum draw down. (Automatic models.)
- Pump can be operated manually by unplugging piggy-back switch and plugging pump directly into outlet (Automatic models).
- Recessed vortex impeller operates completely out of volute and provides free flow through passage for solids and liquids.

Performance Data and Dimensions [Dimensions in mm]

1650 RPM



740 EAST 9TH STREET,
ASHLAND, OHIO 44805
WWW.FEMYERS.COM

269 TRILLIUM DRIVE, KITCHENER,
ONTARIO, CANADA N2G 4W5
WWW.FEMYERS.COM

Because we are continuously improving our products and services, Pentair reserves the right to change specifications without prior notice.
K3305 1/2/13 © 2013 Pentair Ltd. All Rights Reserved.