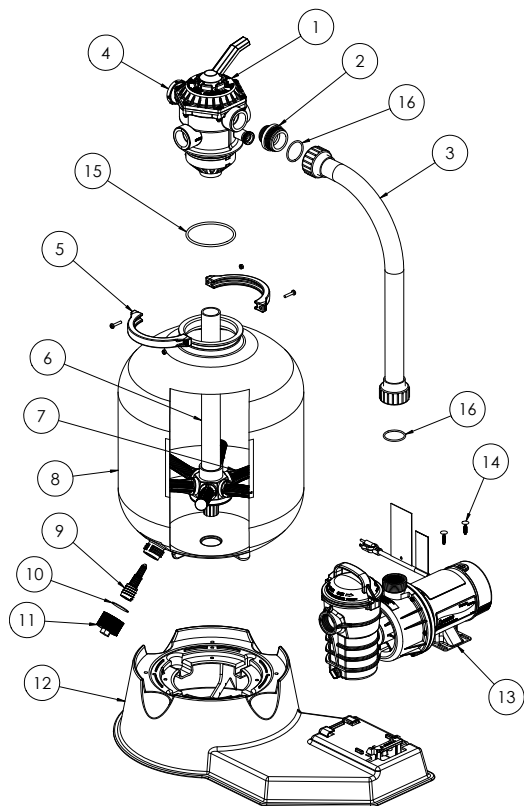


CRISTAL-FLO™ II FILTER SYSTEMS

REPLACEMENT PARTS FOR SYSTEMS MANUFACTURED 2009 AND BEYOND



Item	Product	Description
CRISTAL-FLO II FILTER SYSTEMS 2009 AND BEYOND		
1	262506	Valve, 1-1/2 Inch, 6-Way
2	354588	Adaptor, NPT to Buttruss
3	155726	Pump to Filter Assy (JWP/ABG to 16 in. Tank)
3	155727	Pump to Filter Assy (JWP/ABG to 19 in. Tank)
3	155728	Pump to Filter Assy (JWP/ABG to 22 in. Tank)
3	155709	Pump to Filter Assy (Dynamo/OptiFlo to 16 in. Tank)
3	155710	Pump to Filter Assy (Dynamo/OptiFlo to 19 in. Tank)
3	155711	Pump to Filter Assy (Dynamo/OptiFlo to 22 in. Tank)
4	190059Z	Pressure Gauge
5	152165	Clamp Assembly
6	152229	Piping Assembly – 16 in. Tank
6	152228	Piping Assembly – 19 in. Tank
6	152227	Piping Assembly – 22 in. Tank
7	150084	Lateral – 16 in. & 19 in. Tanks
7	150085	Lateral – 22 in. Tanks
8	145364	Tank w/ Drain – 16 in. Tank
8	145365	Tank w/ Drain – 19 in. Tank
8	145366	Tank w/ Drain – 22 in. Tank
9	154711Z	Sand Drain
10	154715	Gasket (Sand Drain)
11	154712Z	Drain Cap
12	155333P	Systems Base
12	155333CP	Systems Base, CSA Pump
13		Pump
14	710009	Base Hardware Kit
15	272541	O-Ring Valve Body
16	354571	O-Ring, Union
NOT SHOWN		
	155151	Kit, Flex Hose, 6 ft. ¹
	155005	Kit, Flex Hose, 12 ft. ¹
	155767	Conn Kit, Pump to Filter All sizes

CALIFORNIA PROPOSITION 65 WARNING
 ⚠️ **WARNING:** Cancer and Reproductive Harm.
 ⚠️ **AVERTISSEMENT:** Peut Causer le Cancer et des Dommages au Système Reproducteur.
 ⚠️ **ADVERTENCIA:** Cáncer y Daño Reproductivo.
www.p65warnings.ca.gov P98 08/14

¹ Replacement hose kits include (2) hoses, (4) hose adapters and (4) hose clamps.