

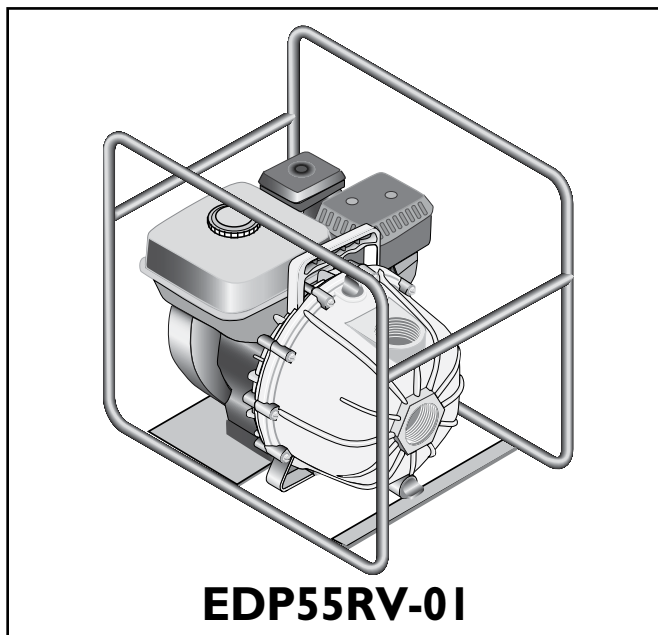


OWNER'S MANUAL
**Engine Drive Self-Priming
Pump**

PRO-SOURCE®

NOTICE D'UTILISATION
**Motopompe à amorçage
automatique**

MANUAL DEL USUARIO
**Bomba autocebante
accionada a motor**



Installation/Operation/Parts

DO NOT return this pump to the store where you purchased it.

For questions or problems about pump operation, call 262-728-9181.

Installation/Fonctionnement/Pièces

NE PAS ramener cette pompe au magasin ou elle a été achetée.

Pour toute question ou tout problème concernant le fonctionnement de la pompe, appeler le 262 728-9181.

Instalación/Operación/Piezas

No devuelva esta bomba a la tienda donde la compró.

Para preguntas o problemas acerca de la operación de la bomba llame al 262-728-9181.

English.....Pages 2-7

Français.....Pages 8-13

Español.....Paginas 14-19

CALIFORNIA PROPOSITION 65 WARNING

▲WARNING This product and related accessories contain chemicals known to the State of California to cause cancer, birth defects or other reproductive harm.

IMPORTANT: For best possible performance and continuous, satisfactory operation, read these instructions before installing your new pump. Should service be required, this manual can be a valuable guide, it should be kept near the installation for ready reference.

INSTALLATION LOCATION

Place unit as close to water source as possible to minimize suction lift, obtain the best pumping performance, and aid in priming. A typical portable installation is shown in Figure 1.

For permanent installation, mount unit on a foundation that will support the weight of pump and engine and also provide stability while the pump is running. For most permanent installations, it is advisable to bolt unit directly to foundation.

NOTICE: Settling and/or shifting during operation can cause piping to place excessive strain on the pump and may damage pump case. Set pump on hard level surface.

SUCTION CONNECTION

Connect either rigid pipe or flexible suction hose to pump suction as shown in Figure 1. If hose is selected, hose must be rated to hold the suction pressure and prevent collapse while the pump is running.

Make the suction line a continuous rise from the water source to the pump. High spots can trap air and also make priming difficult. Make sure all connections are tight and free of air leaks.

NOTICE: Suction pipe or hose must be at least as large as the pump suction inlet in order for the pump to operate properly.

Minimum depth for the suction inlet is determined by the diameter of the suction line. See Figure 1.

NOTICE: Use a suction screen to keep debris out of pump.

DISCHARGE CONNECTIONS

Your pump is equipped with a single port discharge. Select the appropriate size for the application. Install a "tee" as shown to allow priming the pump without disconnecting the piping.

OPERATION

NOTICE: Do not start or run pump dry or damage to the mechanical seal will result.

NOTICE: Add engine oil before startup. Refer to the engine operation manual before startup.

PRIMING THE PUMP

A self priming pump only needs to be manually primed at the first start-up. Once primed, under normal conditions the pump will re-prime automatically at each subsequent start-up. If the pump is used in portable applications and the water has been drained from the pump case, re-prime before start-up.

To prime, remove plug from top discharge outlet and fill pump with water. Replace plug and start pump. The pump will require a few minutes to evacuate air from the suction line. After several minutes of operation, pump will be fully primed and pumping water. Priming time will vary depending on length and diameter of suction line.

RUNNING THE ENGINE

Refer to engine operation section of this manual for starting and operating instructions.

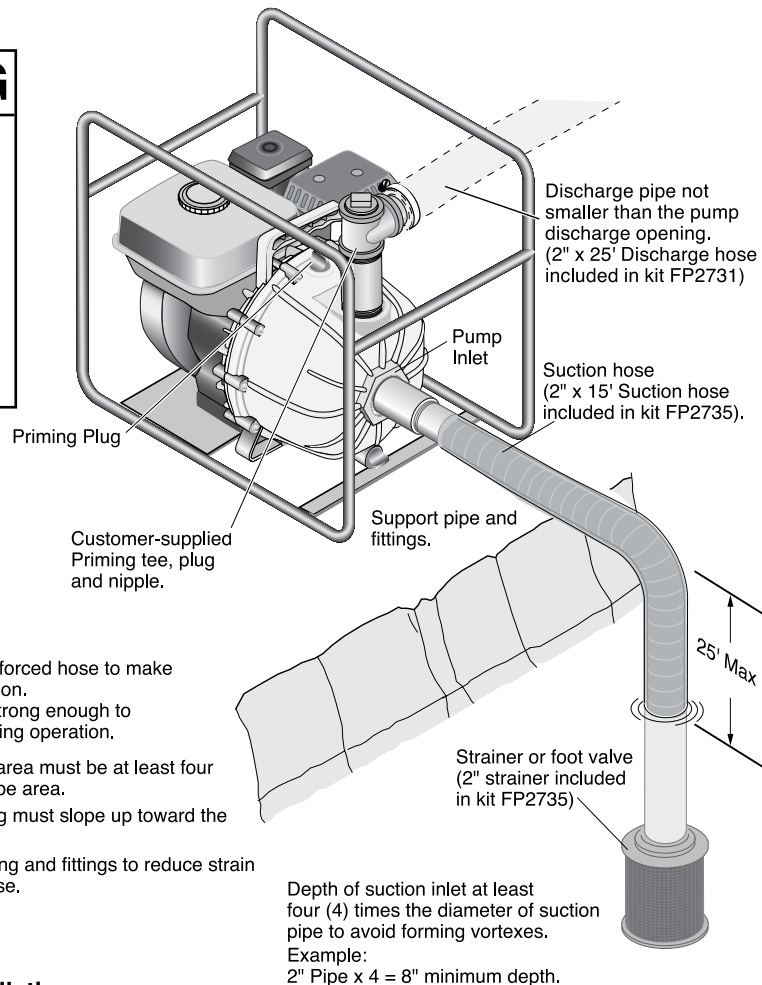
Pump performance varies depending on engine RPM. Refer to engine operation section to adjust engine speed.

▲WARNING

Hazardous Suction.

Can trap persons against suction inlet.

Always use strainer on suction hose to prevent entrapment.



Use pipe or reinforced hose to make suction connection.
Hose must be strong enough to not collapse during operation.
Suction screen area must be at least four times suction pipe area.
All suction piping must slope up toward the pump inlet.
Support the piping and fittings to reduce strain on the pump case.

Figure 1 – Typical Installation

MAINTENANCE

PUMP LUBRICATION

Pump liquid end does not require any grease or oil for lubrication. The mechanical seal is lubricated by water when the pump is operating.

Performance Chart

Depth to Water	Gallons per Minute at Discharge Pressure					Maximum PSI
	15 PSI	25 PSI	35 PSI	45 PSI	50 PSI	
0 ft.	-	135	106	72	49	59
5 ft.	144	132	96	63	40	57
10 ft.	142	124	92	52	35	55
15 ft.	139	117	84	42	22	52
20 ft.	136	110	78	36	4	50
25 ft.	133	103	68	28	-	48

Troubleshooting Guide

SYMPTOM	PROBABLE CAUSE															
	ENGINE				PUMP						SYSTEM					
	A	B	C	D	E	F	G	H	I	J	K	L	M	N	O	P
No water delivered					X	X	X				X	X	X			X
Not enough water delivered	X						X	X			X	X	X			X
Not enough pressure	X						X	X			X	X	X			
Engine heats excessively		X	X					X	X	X		X			X	
Abnormal noise and/or vibration				X	X		X			X		X	X	X		
Pump works for a while, then stops				X			X			X			X		X	X

CAUSE		CORRECTIVE ACTION
1. ENGINE		
A.	Speed too low	Refer to engine section
B.	Rotating and/or reciprocating parts drag	Refer to engine section
C.	Speed too high	Maximum engine speed not to exceed engine manufacturer's recommendation
D.	Loose or broken parts	Refer to engine section
2. PUMP		
E.	Not primed	Re-prime, inspect suction system for air leaks, and or clack assembly
F.	Pump takes too long to prime	Check for air leaks or defective check valve
G.	Flow through pump completely	Locate and remove obstruction. Attach strainer or partially blocked
H.	Internal leakage	Check clearances between face of vanes and case. Should not exceed 1/32"
I.	Rotating parts drag	Inspect, repair
J.	Loose or broken parts	Inspect, repair
3. SYSTEM		
K.	Pressure required by system at design flow rate exceeds pressure rating of pump	Compare pump pressure and flow rate against pump performance chart. Reduce system pressure requirement. Increase pressure capability of pump
L.	Obstruction in suction piping	Locate and remove obstruction. Attach strainer
M.	Suction lift too high	Check with gauge or measure vertical distance between water surface and center line of pump, allowing for friction loss in suction pipe. Reduce rate of flow to obtain desired lift. Refer to pump performance chart
N.	Discharge head too low	Decrease rate of flow
O.	Suction inlet not immersed deep enough	Refer to "Installation"
P.	Leaky suction line or connection admitting air	Repair or replace suction line. Tighten connections

PUMP ENGINE OPERATION AND MAINTENANCE

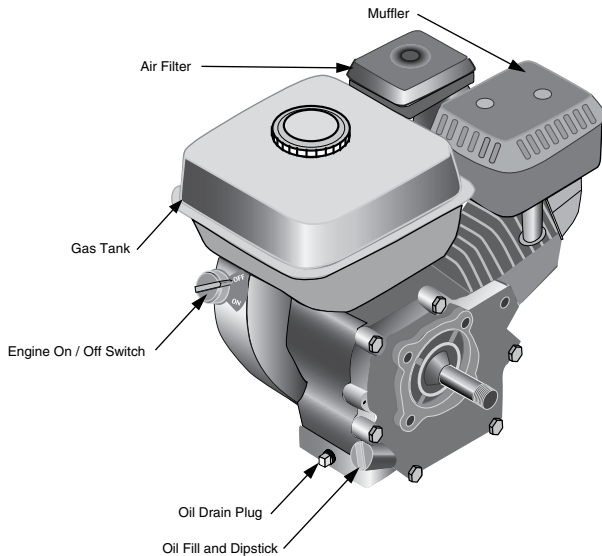
Engine Safety Precautions:

⚠ WARNING **Fire and explosion hazard.** Gasoline can explode. Store gasoline away from the engine. Add gasoline to the engine only when the engine is off.

⚠ WARNING **Burn hazard.** Hot surface. The engine gets very hot during operation. Do not touch the engine surfaces. Keep children away. Allow the engine to cool before moving it indoors.

⚠ WARNING **Deadly fumes.** Carbon monoxide. Never run the engine in an enclosed space. Only use outdoors with plenty of ventilation.

Engine Operation



Before starting the engine:

Check and Fill Oil

The engine is shipped **without oil**. It must be filled before starting the engine.

Fill oil by removing the fill cap / dipstick. Add oil until the level reaches the bottom of the opening. Check the oil level by pushing the cleaned dipstick into the oil fill opening. **DO NOT SCREW IT IN.** Remove the dipstick and inspect it. Add oil if needed. Reinstall the cap / dipstick.

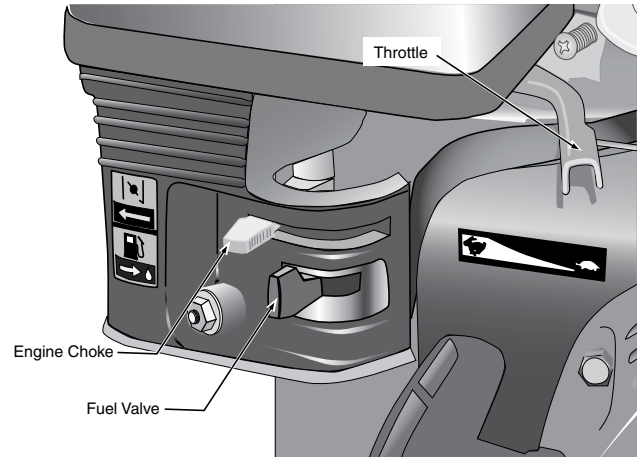
Oil capacity is 0.63 quarts (0.6 liter). 10W-30 oil should be used in normal conditions. Use 10W-40 oil if the engine is to be run in temperatures over 90°F (32°C).

Note that the engine has a low-oil monitoring system. If the oil level drops too low, the system will automatically turn off the engine.

Add Gasoline

Fill fuel tank with clean fresh gasoline. This should be unleaded fuel that has an octane rating of 86 or higher.

Do not fill the tank to overflowing. Clean up any spilled gasoline before starting the engine.



Open Fuel Valve

Move the fuel valve to the right to allow fuel to the engine.

Close Choke

When starting a cold engine, move the choke control to the left (closed). As the engine warms up move it towards the right (open). A warm engine should start with the choke open.

Position Throttle

Move the throttle (speed control) slightly to the left.

Turn Engine Switch On

The engine switch controls the ignition. turn it to the ON position to start the engine. The same control is used to stop the engine.

Pull Starter

Pull the handle on the recoil starter. Adjust throttle to desired speed. Move the choke to the right as engine warms.

Stopping the Engine

Stop the engine by turning the engine switch to OFF.

Turn the fuel control to OFF (left).

Engine Maintenance

Air Filter

The air filter should be checked every month for dust and dirt accumulation. Every 6 months the filter element should be removed and cleaned. Clean the foam element with detergent and warm water. Squeeze out excess water and let it dry. Before reinstalling the filter element, soak it with engine oil, and squeeze out the excess. Reinstall the filter. The engine will smoke upon startup if too much oil is left in the filter element.

Oil Level

The oil level should be checked before each use.

Oil Change

The oil should be changed in the first month, and then every 6 months (or 100 hours of operation). To drain the oil, run the engine until warm. Turn off the engine, remove the oil drain plug, and let the the oil drain into a pan. Reinstall the plug and fill with oil.

NOTICE: Dispose of used oil responsibly. DO NOT pour it down drains, onto the ground or put it in the trash. Most communities have collection points for used oil.

Spark Plug

The spark plug should be checked and cleaned every 6 months or 100 hours.

The spark plug should be replaced if it is damaged, or excessively worn.

The spark plug is type BPR6ES (NGK) or equivalent. The plug gap should be 0.030 in. (0.75 mm).

Engine Troubleshooting

If the engine won't start:

- Check that there is gas in the tank
- Make sure the fuel valve is ON and that the engine switch is ON
- Make sure there is enough oil in the engine to reset the low-oil sensor
- Check that fuel is getting to the carburetor*
- Check for spark at the spark plug*

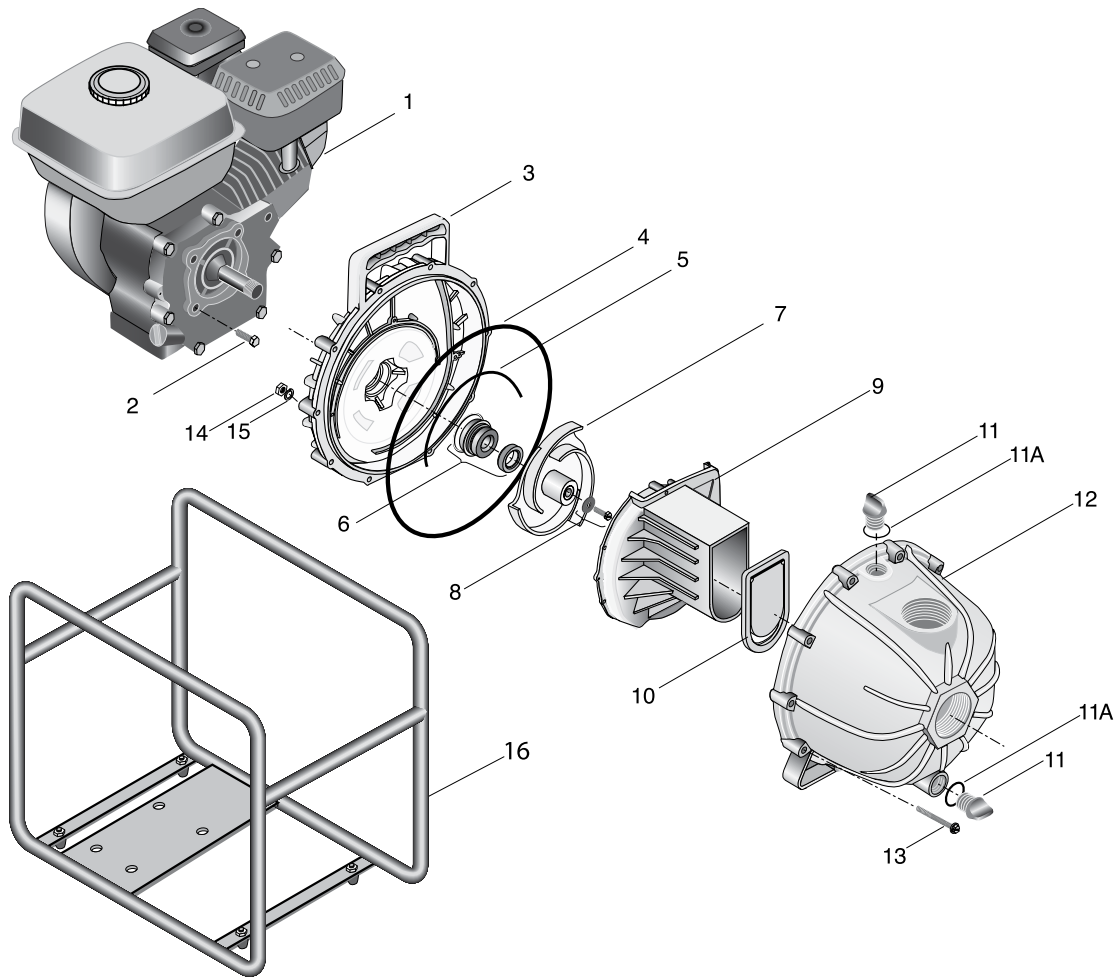
* These checks to be done by persons with small-engine experience.

Extended Storage

If the pump will be stored for more than a month or two, follow the steps below.

- Drain Gasoline
- Change oil
- Squirt oil (or a chemical made for storing engines) in the spark plug hole.
- Rotate engine slowly until resistance is felt (this indicates that both valves are closed).
- Install spark plug
- Cover engine

Pump Replacement Parts (Exploded View)



KEY	DESCRIPTION	QTY.	PART NUMBER
1	Engine	1	*
2	Engine Mount Screws, 5/16-24 x .75	4	†
3	Seal Plate	1	M13906
4	O-Ring, Pump Body	1	M13910
5	Diffuser Gasket (O-Ring Segment)	1	M13918
6	Mechanical Seal	1	M13914
7	Impeller Kit (Includes Impeller Key)	1	M14457KIT
8	Impeller screw with rubber washer	1	U30-994
9	Diffuser	1	M13907
10	Flapper Valve	1	M13909
11	Plug	2	M13911
11A	O-Ring, Plug	2	M13912
12	Pump Housing	1	M13905
13	Screw, 1/4-20x2.5 hex Head Machine Screw	10	†
14	Nuts, 1/4-20	10	†
15	Lockwasher	10	†
16	Roll Cage	1	M13922RC
•	Screw, Diffuser, #6 x 1/2 Self-Tapping	2	†
•	Screw, Diffuser, #10 x 1-1/2 Self-Tapping	1	†

• Not illustrated

† Purchase locally

* If needed, replace entire pump

For additional parts information, call 262-728-9181.

Limited Warranty

PENTAIR warrants to the original consumer purchaser ("Purchaser" or "You") of the products listed below, that they will be free from defects in material and workmanship for the Warranty Period shown below.

Product	Warranty Period
Water Systems Products — jet pumps, small centrifugal pumps, submersible pumps and related accessories	<i>whichever occurs first:</i> 12 months from date of original installation, 18 months from date of manufacture
PENTEK INTELLIDRIVE™	12 months from date of original installation, or 18 months from date of manufacture
Pro-Source™ Composite Tanks	5 years from date of original installation
Pro-Source™ Steel Pressure Tanks	5 years from date of original installation
Pro-Source™ Epoxy-Line Tanks	3 years from date of original installation
Sump/Sewage/Effluent Products	12 months from date of original installation, or 18 months from date of manufacture

Our warranty will not apply to any product that, in our sole judgment, has been subject to negligence, misapplication, improper installation, or improper maintenance. Without limiting the foregoing, operating a three phase motor with single phase power through a phase converter will void the warranty. Note also that three phase motors must be protected by three-leg, ambient compensated, extra-quick trip overload relays of the recommended size or the warranty is void.

Your only remedy, and PENTAIR's only duty, is that PENTAIR repair or replace defective products (at PENTAIR's choice). You must pay all labor and shipping charges associated with this warranty and must request warranty service through the installing dealer as soon as a problem is discovered. No request for service will be accepted if received after the Warranty Period has expired. This warranty is not transferable.

PENTAIR IS NOT LIABLE FOR ANY CONSEQUENTIAL, INCIDENTAL, OR CONTINGENT DAMAGES WHATSOEVER.

THE FOREGOING LIMITED WARRANTIES ARE EXCLUSIVE AND IN LIEU OF ALL OTHER EXPRESS AND IMPLIED WARRANTIES, INCLUDING BUT NOT LIMITED TO IMPLIED WARRANTIES OF MERCHANTABILITY AND FITNESS FOR A PARTICULAR PURPOSE. THE FOREGOING LIMITED WARRANTIES SHALL NOT EXTEND BEYOND THE DURATION PROVIDED HEREIN.

Some states do not allow the exclusion or limitation of incidental or consequential damages or limitations on how long an implied warranty lasts, so the above limitations or exclusions may not apply to You. This warranty gives You specific legal rights and You may also have other rights which vary from state to state.

This Limited Warranty is effective June 1, 2011 and replaces all undated warranties and warranties dated before June 1, 2011.

PENTAIR
293 Wright St., Delavan, WI 53115
Phone (262) 728-5551 • Fax (262) 728-7323

ENGINE: Refer to engine manufacturer's operating manual for complete maintenance and warranty.

AVERTISSEMENT LIÉ À LA PROPOSITION 65 DE LA CALIFORNIE

▲ AVERTISSEMENT Ce produit et les accessoires connexes contiennent des produits chimiques reconnus dans l'État de la Californie comme pouvant provoquer des cancers, des anomalies congénitales ou d'autres dangers relatifs à la reproduction.

IMPORTANT

Pour obtenir le meilleur rendement possible et un fonctionnement permanent et satisfaisant, lire ces instructions avant d'installer cette pompe neuve. Si un entretien s'impose, cette Notice représente un guide précieux et elle doit être gardée près de l'installation de façon à s'y reporter ultérieurement.

INSTALLATION EMLACEMENT

Placer la motopompe aussi près que possible d'une source d'eau de façon à réduire la hauteur géométrique d'aspiration et obtenir les meilleurs rendements de pompage et pour faciliter l'amorçage. Une installation portable typique est illustrée à la figure 1.

Pour une installation permanente, monter la motopompe sur une fondation qui pourra supporter le poids de la pompe et du moteur et qui offrira également une surface stable pendant le fonctionnement de la pompe. Dans le cas d'une installation permanente, il est conseillé de boulonner la motopompe directement sur les fondations.

AVIS : Tout déplacement de la motopompe pendant son fonctionnement risque d'exercer des contraintes excessives sur la motopompe, ce qui risque d'endommager le corps de la pompe. La pompe doit être placée sur une surface plane et dure.

RACCORDEMENT DE L'ASPIRATION

Raccorder soit un tuyau rigide, soit un tuyau souple sur l'aspiration de la pompe, comme il est illustré à la figure 1. Si l'on choisit un tuyau souple, il devra être suffisamment solide pour supporter les pressions d'aspiration et ne pas s'affaisser pendant que la pompe fonctionne.

La conduite d'aspiration montante devra être une conduite continue à partir de la source d'eau jusqu'à la pompe. Les points hauts risquent d'emprisonner l'air et de rendre l'amorçage difficile. S'assurer que tous les raccords sont bien serrés et qu'ils ne fuient pas.

AVIS : Pour que la pompe puisse fonctionner correctement, le diamètre du tuyau d'aspiration souple ou rigide doit être au moins aussi large que l'admission de l'aspiration de la pompe.

La profondeur minimum de l'admission de l'aspiration est déterminée d'après le diamètre de la conduite d'aspiration. Voir la figure 1.

AVIS : Poser une crépine en bas de la conduite d'aspiration pour empêcher les débris de pénétrer dans la pompe.

RACCORDEMENTS DE REFOULEMENT

La pompe est équipée d'un seul orifice de refoulement. Choisir la dimension appropriée en fonction de l'utilisation. Poser un « té » comme il est illustré pour pouvoir amorcer la pompe sans avoir à débrancher la tuyauterie.

FONCTIONNEMENT

AVIS : Ne pas démarrer la pompe à sec et ne pas la faire fonctionner à sec, sinon le joint mécanique sera endommagé.

AVIS : Mettre de l'huile dans le moteur avant de le démarrer. Avant de démarrer le moteur, se reporter à sa Notice d'utilisation.

AMORÇAGE DE LA POMPE

Une pompe à amorçage automatique n'a besoin d'être manuellement amorcée que lors de la première mise en service. Une fois amorcée, et dans des conditions normales, la pompe se réamorçera automatiquement à chaque démarrage. Si la pompe est utilisée en tant que pompe portable et que l'eau a été vidée du carter de la pompe, la pompe devra être réamorcée avant de la remettre en service.

Pour l'amorçage, déposer le bouchon de l'orifice de refoulement, puis remplir le corps de la pompe avec de l'eau. Reposer ensuite le bouchon, puis démarrer la pompe. Il lui faudra quelques minutes pour évacuer l'air de la conduite d'aspiration.

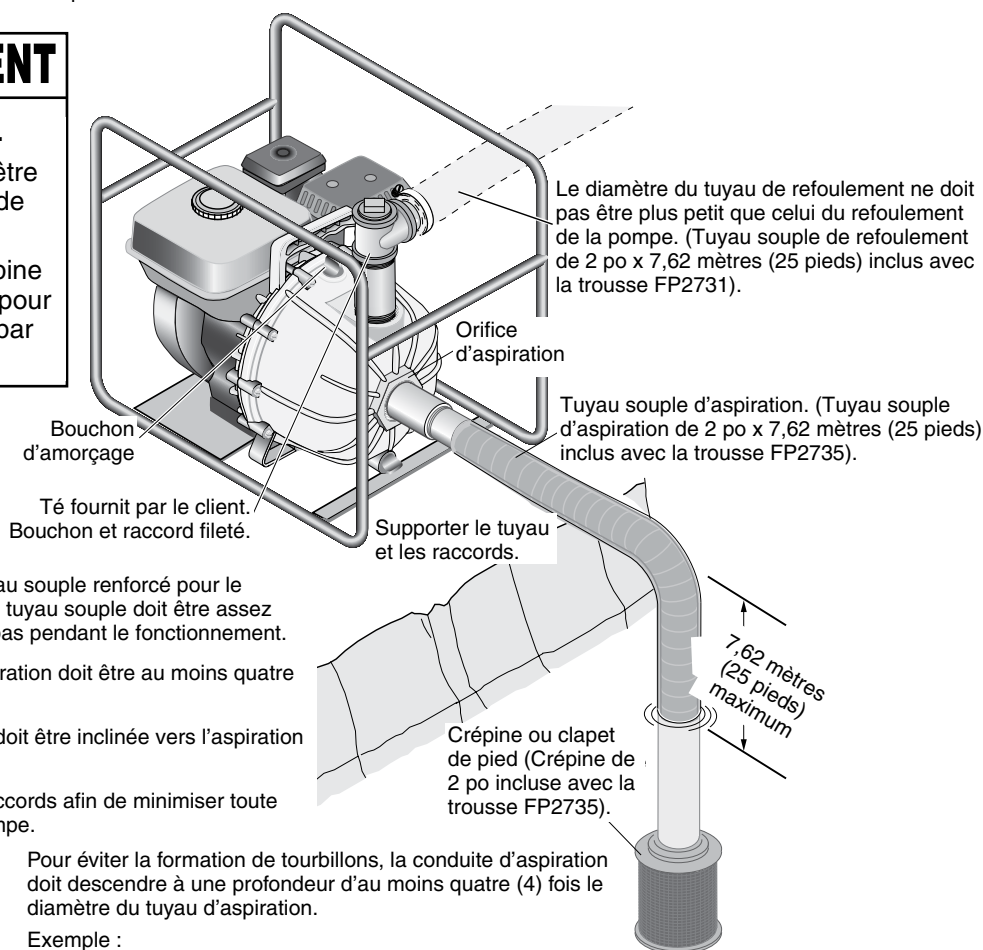
Après quelques minutes de fonctionnement, la pompe sera complètement amorcée et débitera de l'eau. Le temps nécessaire pour qu'elle s'amorce dépendra de la longueur et du diamètre de la conduite d'aspiration.

▲ AVERTISSEMENT

Aspiration dangereuse.

Les personnes peuvent être retenues contre l'entrée de l'aspiration.

Toujours utiliser une crépine ou un tuyau d'aspiration pour éviter de se faire retenir par l'aspiration.



Utiliser un tuyau rigide ou un tuyau souple renforcé pour le branchement sur l'aspiration. Le tuyau souple doit être assez rigide pour qu'il ne se déforme pas pendant le fonctionnement.

Le diamètre de la crépine d'aspiration doit être au moins quatre fois celui du tuyau.

Toute la tuyauterie d'aspiration doit être inclinée vers l'aspiration de la pompe.

Supporter la tuyauterie et les raccords afin de minimiser toute contrainte sur le corps de la pompe.

Pour éviter la formation de tourbillons, la conduite d'aspiration doit descendre à une profondeur d'au moins quatre (4) fois le diamètre du tuyau d'aspiration.

Exemple :

Tuyau de 2 po x 4 = profondeur minimale de 20 cm (8 po).

Figure 1 - installation typique

FUNCTIONNEMENT DU MOTEUR

Pour les instructions de démarrage et de fonctionnement, se reporter à la rubrique « Fonctionnement du moteur » de cette Notice.

Les débits de la pompe varieront en fonction du régime du moteur. Se reporte à la rubrique « Fonctionnement du moteur » pour régler le régime du moteur.

ENTRETIEN

GRAISSAGE DE LA POMPE

La pompe ne nécessite aucune lubrification, par graisse ou par huile. Le joint mécanique est lubrifié par l'eau pendant que la pompe fonctionne.

Tableau de rendement

Profondeur de l'eau	Rendement en l/min aux pressions de refoulement					Lb/po ² max.
	103 kPa	172 kPa	241 kPa	310 kPa	345 kPa	
0 m	-	511	401	273	185	406
1,5 m	545	500	363	238	151	391
3 m	538	469	348	197	132	376
4,6 m	526	443	318	159	83	361
6,1 m	515	416	295	136	15	346
7,6 m	503	390	257	106	-	331

Guide de recherche des pannes

SYMPTÔME	CAUSE PROBABLE															
	MOTEUR				POMPE						SYSTÈME					
	A	B	C	D	E	F	G	H	I	J	K	L	M	N	O	P
Pas de débit d'eau					X	X	X				X	X	X			X
Débit d'eau insuffisant	X						X	X			X	X	X			X
Pression insuffisante	X						X	X			X	X	X			
Le moteur surchauffe excessivement		X	X					X	X	X		X		X		
Bruits et/ou vibrations anormaux				X	X		X			X		X	X	X		
La pompe fonctionne pendant un moment, puis s'arrête				X			X			X			X		X	X

CAUSE		REMÈDE
1. MOTEUR		
A.	Régime trop lent	Se reporter à la rubrique traitant du moteur.
B.	Frottement des pièces rotatives et/ou à mouvement alternatif	Se reporter à la rubrique traitant du moteur.
C.	Régime trop élevé	Le régime maximum du moteur ne doit pas dépasser le régime recommandé par le fabricant.
D.	Pièces desserrées ou cassées	Se reporter à la rubrique traitant du moteur.
2. POMPE		
E.	Ne s'amorce pas	Réamorcer la pompe, inspecter le système d'aspiration à la recherche de fuites d'air et/ou inspecter le clapet.
F.	Prend trop de temps à s'amorcer	Voir s'il n'y a pas de prise d'air du clapet antiretour ou s'il n'est pas défectueux.
G.	Le débit de la pompe est partiellement ou complètement bouché	Déterminer où se trouve l'obstruction et l'enlever. Poser une crépine.
H.	Fuite interne	Vérifier le dégagement entre la surface des vannes et du carter. Le dégagement ne doit pas dépasser 1/32 de pouce.
I.	Les pièces rotatives frottent	Inspecter. Réparer.
J.	Pièces desserrées ou cassées	Inspecter. Réparer.
3. SYSTÈME		
K.	Les pressions requises par le système par rapport au débit de conception dépassent la pression nominale de la pompe	Comparer les pressions de la pompe et les débits par rapport au tableau de rendement de la pompe. Réduire la pression du système en conséquence. Augmenter la capacité de la pression de la pompe.
L.	Obstruction dans le tuyau d'aspiration	Déterminer où se trouve l'obstruction; l'éliminer. Poser une crépine.
M.	La hauteur géométrique d'aspiration est trop haute	Vérifier avec un calibre ou mesurer la distance verticale qu'il y a entre la surface de l'eau et la conduite centrale de la pompe en prenant en considération les pertes par friction dans le tuyau d'aspiration. Réduire le débit de façon à obtenir la hauteur de refoulement désirée.
N.	La hauteur de refoulement est trop basse	Diminuer le débit.
O.	L'admission de l'aspiration n'est pas suffisamment immergée	Se reporter à « Installation ».
P.	La conduite d'aspiration fuit ou prise d'air des raccords	Réparer la conduite d'aspiration ou la remplacer. Resserrer les raccords.

FUNCTIONNEMENT ET ENTRETIEN DU MOTEUR

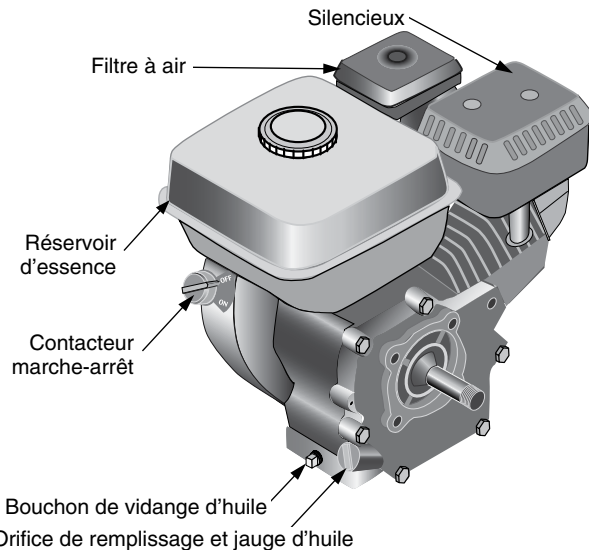
Consignes de sécurité concernant le moteur :

⚠ AVERTISSEMENT **Risque d'incendie et d'explosion.** L'essence peut exploser. Stocker l'essence loin du moteur. N'ajouter de l'essence dans le moteur que lorsqu'il est froid.

⚠ AVERTISSEMENT **Risque de brûlures.** Surface chaude. Pendant qu'il fonctionne, le moteur devient très chaud. Ne pas toucher ses surfaces. Ne pas permettre aux enfants de s'en approcher. Avant de déplacer le moteur à l'intérieur, le laisser refroidir.

⚠ AVERTISSEMENT **Vapeurs nocives.** Monoxyde de carbone. Ne jamais faire fonctionner le moteur dans un espace clos. Ne l'utiliser qu'à l'extérieur où l'aération sera bonne.

Fonctionnement du moteur



Avant de démarrer le moteur :

Le vérifier et faire le plein d'huile

Le moteur est expédié sans huile. Avant de le démarrer, faire le plein de son carter d'huile.

Pour cela, déposer le bouchon ou la jauge d'huile, puis ajouter de l'huile jusqu'à ce qu'elle arrive jusqu'à la partie inférieure de l'ouverture. Vérifier le niveau en introduisant la jauge d'huile propre dans le trou de remplissage d'huile. **NE PAS VISSER LA JAUGE.** Ressortir la jauge et l'inspecter. Faire le complément d'huile au besoin. Reposer le bouchon ou la jauge d'huile.

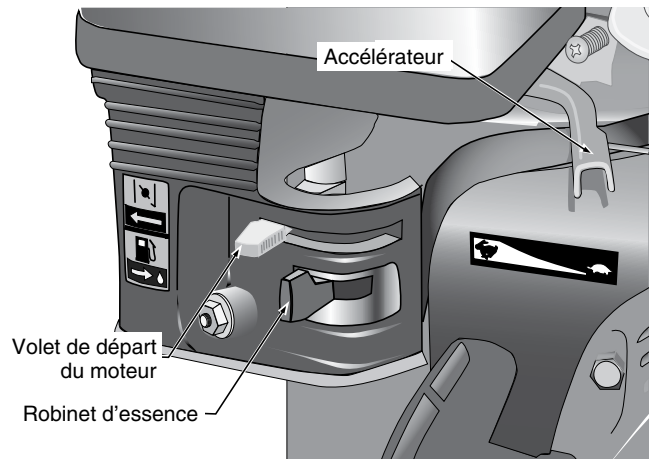
Le carter inférieur contient 60 centilitres (0,63 pinte) d'huile. Pour des conditions d'utilisation normales, utiliser de l'huile 10W-30. Utiliser de l'huile 10W40 si le moteur doit fonctionner par des températures supérieures à 32° C (90° F).

Le moteur est équipé d'un capteur de niveau d'huile. Si le niveau de l'huile chute trop bas, le capteur arrêtera le moteur.

Faire le plein d'essence

Faire le plein du réservoir avec de l'essence sans plomb fraîche ayant un indice d'octane de 88 ou plus élevé.

Ne pas faire déborder le réservoir. Avant de démarrer le moteur, essuyer l'essence renversée.



Ouvrir le robinet d'essence

Pour cela, le tourner à droite.

Fermer le volet de départ

Pour démarrer le moteur à froid, déplacer la commande du volet de départ à gauche (position fermée). Au fur et à mesure que le moteur se réchauffe, la déplacer à droite (position ouverte). Lorsqu'il est chaud, le moteur doit démarrer sans l'aide du volet de départ.

Positionner l'accélérateur

Le déplacer légèrement à gauche (contrôle du régime).

Déplacer le contacteur du moteur sur marche

Ce contacteur contrôle l'allumage. Le déplacer sur la position « Contact établi » (ON) pour démarrer le moteur et sur la position « Contact coupé » (OFF) pour l'arrêter.

Tirer sur le lanceur

À l'aide de sa poignée. Régler l'accélérateur au régime désiré. Déplacer le volet de départ à droite au fur et à mesure que le moteur se réchauffe.

Pour arrêter le moteur

Couper le contact (position OFF), puis fermer le robinet d'essence en le tournant à gauche.

Entretien du moteur

Filtre à air

Le vérifier tous les mois à la recherche d'accumulation de saleté et de poussière. La cartouche filtrante doit être déposée et nettoyée tous les 6 mois avec du détergent et de l'eau tiède. La serrer dans une main pour enlever l'excès d'eau, puis la laisser sécher. Avant de la reposer, la tremper dans de l'huile à moteur. La serrer dans une main pour enlever l'excès d'huile. Reposer ensuite le filtre. Le moteur dégagera de la fumée au démarrage si la cartouche filtrante contient encore de l'huile.

Niveau d'huile

Le vérifier avant chaque utilisation du moteur.

Vidange d'huile

L'huile devra être vidangée après le premier mois de fonctionnement du moteur, puis tous les 6 mois (ou toutes les 100 heures de fonctionnement) par la suite. Avant de vidanger l'huile, laisser le moteur fonctionner jusqu'à ce qu'il soit chaud. L'arrêter, puis enlever le bouchon de vidange et laisser l'huile couler dans un bac. Reposer ensuite le bouchon de vidange et faire le plein d'huile du carter.

REMARQUE : Disposer de l'huile de façon responsable. Ne pas la vider dans un égout, dans la terre et ne pas s'en débarrasser dans un dépotoir. La plupart des municipalités offrent des points de collecte des huiles usées.

Bougie

La vérifier et la nettoyer tous les 6 mois ou toutes les 100 heures de fonctionnement.

La remplacer si elle est endommagée ou extrêmement usée.

Utiliser une bougie BPR6ES (NGK) ou une bougie équivalente. L'écartement de ses électrodes est de 0,75 mm (0,0030 po).

Diagnostic du moteur

Si le moteur ne démarre pas :

- S'assurer qu'il y a de l'essence dans le réservoir
- S'assurer que le robinet d'essence est ouvert et que le contact est établi (Sur ON)
- S'assurer qu'il y a suffisamment d'huile dans le carter pour que le capteur de niveau d'huile se réenclenche
- S'assurer que l'essence parvient au carburateur*
- Vérifier l'écartement des électrodes de la bougie*

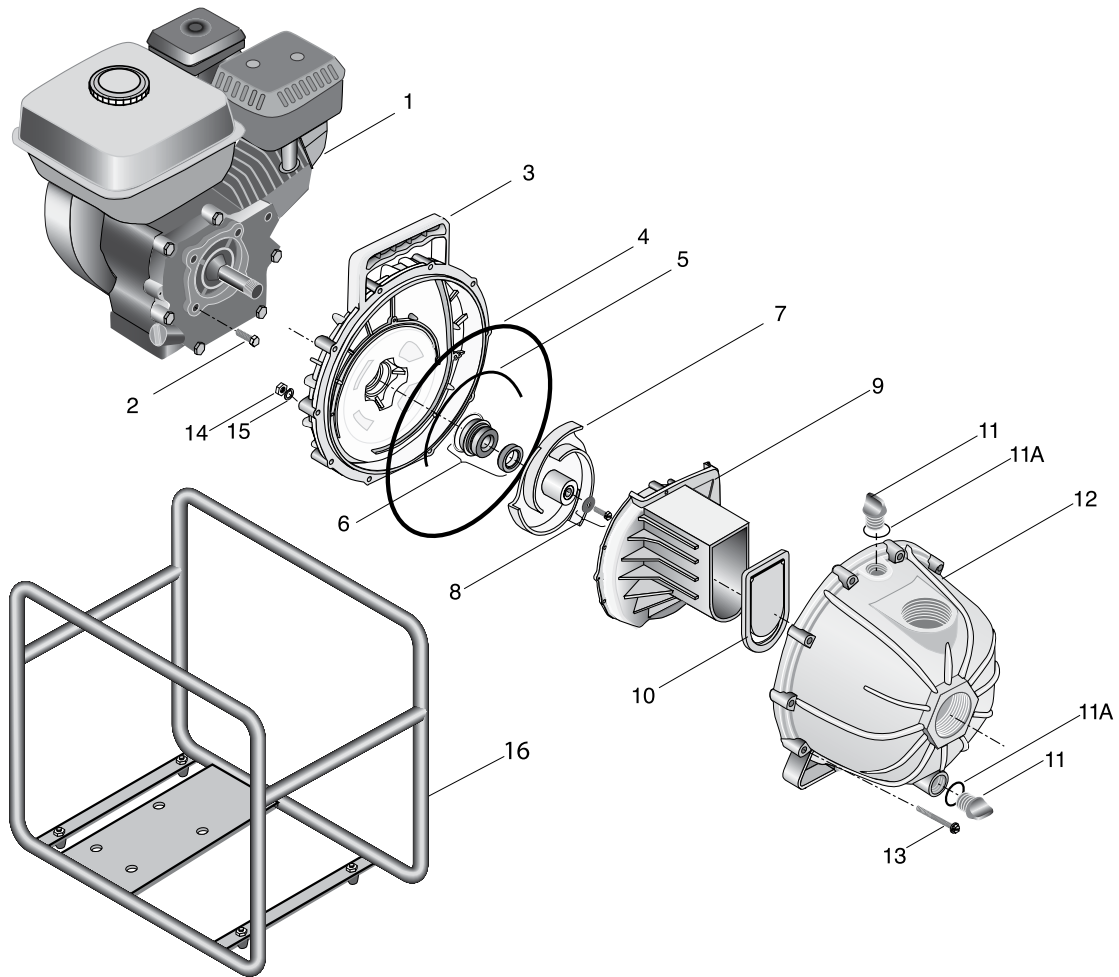
* Ces vérifications doivent être effectuées par des personnes spécialisées en petits moteurs.

Remisage prolongé

Si la pompe doit être remisée pendant plus d'un mois ou deux, procéder comme suit :

- Vider le réservoir d'essence
- Changer l'huile
- Verser quelques gouttes d'huile (ou un produit chimique prévu pour le remisage des moteurs) dans le trou de la bougie.
- Tourner lentement le moteur jusqu'à ce que l'on ressente une résistance (ce qui indique que les soupapes sont fermées)
- Reposer la bougie
- Couvrir le moteur

PIÈCES DE RECHANGE POUR LA POMPE (VUE ÉCLATÉE)



Réf.	Désignation	Qté	Numéro de pièce
1	Moteur	1	*
2	Vis de fixation du moteur – 5/16-24 x 0,75	4	†
3	Plaque d'étanchéité	1	M13906
4	Joint torique, corps de la pompe	1	M13910
5	Joint du diffuseur (segment joint torique)	1	M13918
6	Joint mécanique	1	M13914
7	Trousse d'impulseur (comprend la clavette de l'impulseur)	1	M14457KIT
8	Vis de l'impulseur, Rondelle en caoutchouc	1	U30-994
9	Diffuseur	1	M13907
10	Clapet à battant	1	M13909
11	Bouchon	2	M13911
11a	Joint torique, bouchon	2	M13912
12	Corps de la pompe	1	M13905
13	Vis à métaux à tête hexagonale, 1/4-20x2,5	10	†
14	Écrous, 1/4-20	10	†
15	Rondelle-frein	10	†
16	Cage tubulaire	1	M13922RC
	Vis autotaraudeuse, n° 6 x 1/2	2	†
	Vis autotaraudeuse, n° 10 x 1 1/2	1	†

• Pièces pas illustrées.

† À acheter localement.

* Au besoin, remplacer toute la pompe.

Pour plus d'informations des pièces complémentaires, appeler 262 728-9181.

Garantie limitée

PENTAIR garantit au consommateur initial (ci-après appelé l'« Acheteur ») que les produits énumérés dans les présentes sont exempts de défaut de matériau et de fabrication pendant la durée des garanties à compter de la durée des garanties indiquées ci-dessous.

Produits	Durée des garanties
Produits de systèmes d'eau — Pompes à éjecteur, petites pompes centrifuges, pompes submersibles et tous les accessoires connexes	<i>Selon le premier terme atteint :</i> 12 mois à compter de la date de la première installation ou 18 mois à compter de la date de fabrication
PENTEK INTELLIDRIVE™	12 mois à compter de la date de la première installation ou 18 mois à compter de la date de fabrication
Réservoirs composites Pro-Source™	5 ans à compter de la date de la première installation
Réservoirs sous pression en acier Pro-Source™	5 ans à compter de la date de la première installation
Réservoirs revêtus d'époxyde Pro-Source™	3 ans à compter de la date de la première installation
Produits de puisard/d'égout/d'effluents	12 mois à compter de la date de la première installation ou 18 mois à compter de la date de fabrication

Nos garanties ne s'appliquent pas aux produits ayant fait l'objet de négligence, d'une mauvaise utilisation, d'une mauvaise installation ou d'un manque d'entretien adéquat. Sans aucune limitation des présentes, la garantie des moteurs triphasés submersibles sera nulle et non avenue si ces moteurs sont branchés et fonctionnent sur le courant monophasé par l'intermédiaire d'un déphaseur. Il faut également noter que les moteurs triphasés doivent être protégés par un relais de surcharge tripolaire thermocompensé à déclenchement extrêmement rapide du calibre recommandé, sinon la garantie sera nulle et non avenue.

Le seul recours de l'Acheteur et la seule responsabilité de PENTAIR consistent à réparer ou à remplacer (au choix de PENTAIR) les produits qui se révéleraient défectueux. L'Acheteur s'engage à payer tous les frais de main-d'œuvre et d'expédition du produit couvert par sa garantie et de s'adresser au concessionnaire-installateur ayant procédé à l'installation dès qu'un problème est découvert pour obtenir un service sous garantie. Aucune demande de service en vertu de sa garantie ne sera acceptée après expiration de la durée de sa garantie. Ces garanties ne sont pas transférables.

PENTAIR DÉCLINE TOUTE RESPONSABILITÉ POUR TOUT DOMMAGE INDIRECT OU FORTUIT QUEL QU'IL SOIT.

LA GARANTIE LIMITÉE SUSMENTIONNÉE EST EXCLUSIVE ET REMPLACE TOUTES LES AUTRES GARANTIES EXPRESSES ET TACITES, Y COMPRIS, MAIS SANS S'Y LIMITER, LES GARANTIES DE QUALITÉ MARCHANDE ET D'ADAPTATION À UN USAGE PARTICULIER. LA GARANTIE LIMITÉE SUSMENTIONNÉE NE DOIT PAS ÊTRE PROLONGÉE AU-DELÀ DE LA DURÉE PRÉVUE AUX PRÉSENTES.

Certains états, territoires et certaines provinces ne permettent pas l'exclusion ou la limitation des dommages indirects ou fortuits, ni les limitations relatives à la durée des garanties tacites. Par conséquent, il se peut que les limitations ou les exclusions stipulées dans les présentes ne s'appliquent pas dans ce cas. Ces garanties accordent des droits juridiques précis, bien que l'on puisse bénéficier d'autres droits, selon la province, le territoire ou l'état dans lequel on réside.

La présente garantie limitée est entrée en vigueur le 1er juin 2011 et remplace toute garantie non datée ou antérieure à cette date.

PENTAIR
293 Wright St., Delavan, WI 53115
Téléphone : 1 262 728-5551 • Télécopieur : 1 262 728-7323

MOTEUR : Se reporter à la Notice d'utilisation du fabricant du moteur pour plus de renseignements concernant l'entretien et la garantie.

ADVERTENCIA DE LA PROPOSICIÓN 65 DE CALIFORNIA

ADVERTENCIA Este producto y accesorios relacionados contienen sustancias químicas reconocidas en el Estado de California como causantes de cáncer, malformaciones congénitas y otros daños al sistema reproductivo.

IMPORTANTE: Para el mejor rendimiento y operación continua y satisfactoria posibles, lea estas instrucciones antes de instalar su nueva bomba. Si requiriese servicio, este manual puede ser una guía valiosa y debe ser guardado cerca de la instalación para inmediata referencia.

INSTALACION UBICACION

Coloque la unidad tan cerca de la fuente de agua como sea posible para disminuir al mínimo la altura de succión, obtener el mejor rendimiento de bombeo y ayudar al cebado. En la Figura 1 se muestra una instalación portátil típica.

Para una instalación permanente, monte la unidad sobre una base que soporte el peso de la bomba y el motor y que proporcione además estabilidad mientras la bomba está en operación. Para instalaciones más permanentes, es aconsejable fijar directamente la unidad a la cimentación con pernos.

AVISO: El asentamiento y/o movimiento durante la operación puede causar que la tubería aplique demasiado esfuerzo a la bomba y puede dañar la caja de la misma. Coloque la bomba en una superficie firme bien nivelada.

CONEXION DE SUCCION

Conecte ya sea tubería rígida o manguera flexible de succión a la succión de la bomba como se muestra en la Figura 1. Si se usa manguera, ésta debe ser capaz de soportar la succión e impedir su colapso mientras la bomba está operando.

Haga que la línea de succión esté en una pendiente continua a partir desde la fuente de agua hasta la bomba. Los puntos altos pueden atrapar aire y también hacer más difícil el cebado.

Asegúrese que todas las conexiones estén ajustadas y libres de fugas de aire.

AVISO: La tubería o manguera de succión por lo menos debe ser del tamaño de la entrada de succión de la bomba para que ésta funcione correctamente. La profundidad mínima de la entrada de succión está determinada por el diámetro de la línea de succión. Ver Figura 1.

AVISO: Use un cedazo de succión para impedir la entrada a la bomba de materias extrañas.

CONEXIONES DE DESCARGA

Su bomba viene equipada con una sola abertura de descarga. Seleccione el tamaño adecuado para el uso. Instale un tubo en "T" según se ilustra para permitir la cebadura de la bomba sin desconectar la tubería.

OPERACION

AVISO: No arranque u opere la bomba en seco porque, de hacerlo, ocurrirán daños al sello mecánico.

AVISO: Añada aceite al motor antes de arrancarlo. Consulte el manual de operación del motor antes de encenderlo.

CEBADO DE LA BOMBA

Una bomba autocebante sólo necesita ser cebada manualmente la primera vez que se arranca. Una vez que ha sido cebada, bajo condiciones normales, la bomba volverá a cebarse automáticamente en cada arranque subsecuente. Si la bomba se usa en aplicaciones portátiles y el agua ha sido drenada de la caja de la bomba, debe volverla a cebar antes de arrancarla.

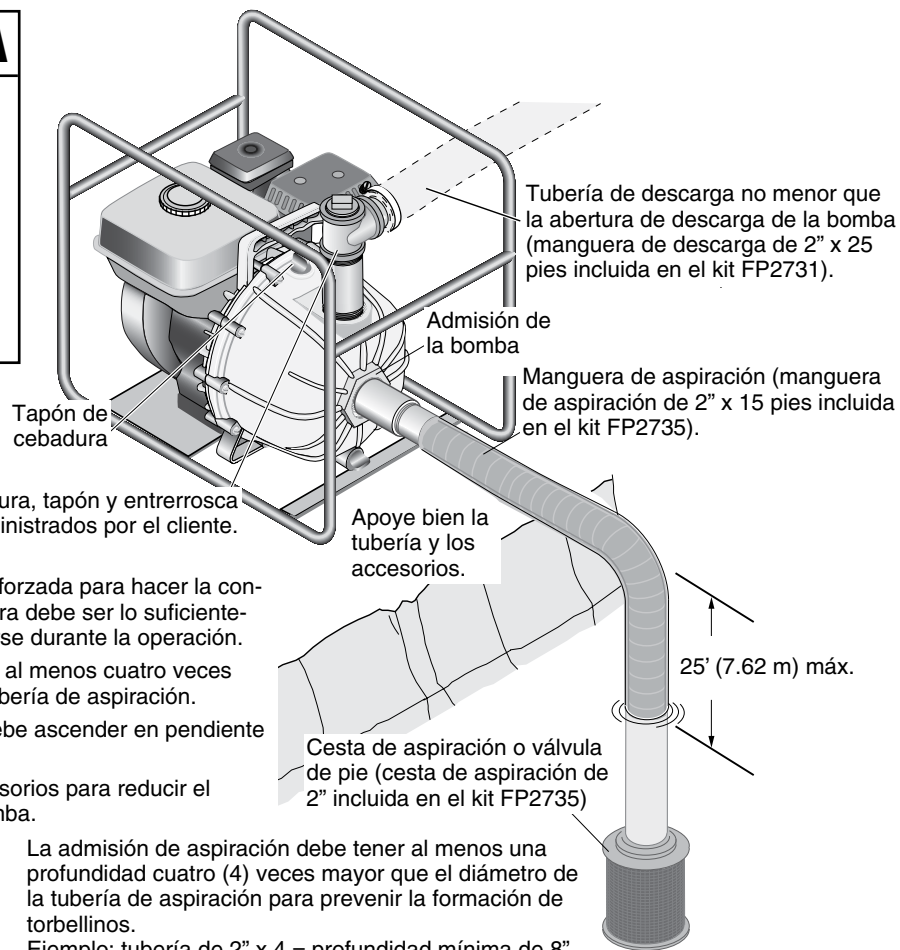
Para cebar, saque el tapón de la salida superior de descarga y llene la bomba de agua. Vuelva a colocar el tapón y encienda la bomba. La bomba necesitará unos minutos para evacuar el aire de la línea de aspiración. Después de unos minutos de funcionamiento, la bomba estará completamente cebada y bombeará el agua. El tiempo de cebadura depende del largo y del diámetro de la tubería de aspiración.

ADVERTENCIA

Aspiración peligrosa.

Personas pueden quedar atrapadas contra la entrada de aspiración.

Siempre se debe usar un tamiz en la manguera de aspiración para evitar que alguien quede atrapado.



Use un tubo o una manguera reforzada para hacer la conexión de aspiración. La manguera debe ser lo suficientemente fuerte para no desplomarse durante la operación.

La malla de aspiración debe ser al menos cuatro veces más grande que el área de la tubería de aspiración.

Toda la tubería de aspiración debe ascender en pendiente hacia la admisión de la bomba.

Apoye bien la tubería y los accesorios para reducir el esfuerzo sobre la caja de la bomba.

La admisión de aspiración debe tener al menos una profundidad cuatro (4) veces mayor que el diámetro de la tubería de aspiración para prevenir la formación de torbellinos.

Ejemplo: tubería de 2" x 4 = profundidad mínima de 8".

Figura 1 - Instalación típica

OPERACION DEL MOTOR

Consulte la sección de operación del motor en este manual para obtener las instrucciones de encendido y operación.

El desempeño de la bomba varía según las rpm del motor. Consulte la sección de operación del motor para ajustar su velocidad.

MANTENIMIENTO

LUBRICACION DE LA BOMBA

El extremo líquido de la bomba no requiere grasa ni aceite para su lubricación. El sello mecánico es lubricado por agua al operar la bomba.

Funcionamiento

Profundidad del agua	Rendimiento en litros por min. a las Presiones de Descarga					Lbs/pulg. ² max.
	15 PSI	25 PSI	35 PSI	45 PSI	50 PSI	
0 ft.	-	135	106	72	49	59
5 ft.	144	132	96	63	40	57
10 ft.	142	124	92	52	35	55
15 ft.	139	117	84	42	22	52
20 ft.	136	110	78	36	4	50
25 ft.	133	103	68	28	-	48

Guía para detección y solución de problemas

SINTOMA	CAUSA PROBABLE															
	MOTOR				BOMBA						SISTEMA					
	A	B	C	D	E	F	G	H	I	J	K	L	M	N	O	P
No se entrega agua					X	X	X				X	X	X			X
No se entrega suficiente agua	X						X	X			X	X	X			X
No hay suficiente presión	X						X	X			X	X	X			
El motor se calienta excesivamente		X	X					X	X	X		X			X	
Ruidos y/o vibraciones anormales				X	X		X			X		X	X	X		
La bomba trabaja por un momento, luego se detiene				X			X			X			X		X	X

CAUSA	ACCION CORRECTORA
1. MOTOR	
A. Velocidad muy baja	Consulte la sección del motor.
B. Las partes rotatorias y/o reciprocantes se mueven muy lentamente	Consulte la sección del motor.
C. Velocidad demasiado alta	La velocidad máxima del motor no debe exceder la recomendada por el fabricante del motor.
D. Elementos sueltos o rotos	Consulte la sección del motor.
2. BOMBA	
E. No está cebada	Vuelva a cebar, inspeccione el sistema de succión para determinar si hay fugas de aire y/o el cabezal de la bomba.
F. La bomba toma mucho tiempo para cebar	Compruebe si hay fugas de aire o si la válvula de retención está defectuosa
G. El flujo a través de la bomba está total o parcialmente bloqueado	Ubique y retire la obstrucción. Instale un cedazo
H. Fugas internas	Compruebe la luz libre entre las aletas del impulsor y la caja. No debe exceder de 1/32"
I. Las partes rotatorias se mueven muy lentamente	Inspeccione. Repare
J. Elementos sueltos o rotos	Inspeccione. Repare
3. SISTEMA	
K. La presión requerida por el sistema para el flujo de diseño excede la presión nominal de la bomba	Compare la presión y flujo de la bomba contra la tabla de rendimiento de la misma. Reduzca los requisitos de presión del sistema. Incremente la capacidad de presión de la bomba.
L. Obstrucción en la tubería de succión	Ubique y retire la obstrucción. Instale un cedazo
M. La altura de succión es demasiado alta	Compruebe con un manómetro o mida la distancia vertical entre la superficie del agua y el centro de la bomba, considerando las piezas de fricción en la tubería de succión. Reduzca el flujo para obtener la succión deseada. Consulte la tabla de rendimiento de la bomba.
N. La presión de descarga es demasiado baja	Disminuya el flujo.
O. La entrada de succión no está suficientemente sumergida en el agua	Consulte "Instalación"
P. La tubería de succión tiene fugas o conexiones que admiten aire	Repare o reemplace la tubería de succión. Ajuste las conexiones.

OPERACIÓN Y MANTENIMIENTO DEL MOTOR DE LA BOMBA

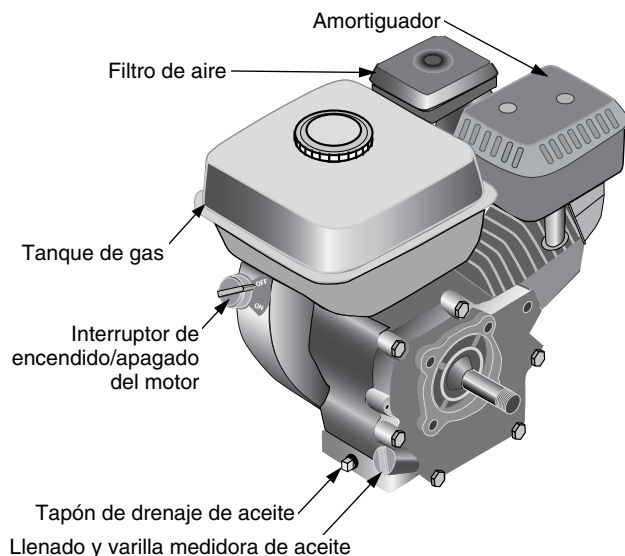
Precauciones de seguridad del motor:

ADVERTENCIA Peligro de incendio y explosión. La gasolina puede explotar. Guarde la gasolina lejos del motor. Agregue gasolina al motor sólo cuando esté apagado.

ADVERTENCIA Peligro de quemadura. Superficie caliente. El motor se calienta mucho durante el funcionamiento. No toque las superficies del motor. Mantenga a los niños alejados. Permita que el motor se enfríe antes de moverlo al interior.

ADVERTENCIA Gases fatales. Monóxido de carbono. Nunca haga marchar un motor en un lugar encerrado. Use sólo en exteriores con mucha ventilación.

Operación del motor



Antes de encender el motor:

Inspeccione y llene de aceite

El motor se despacha **sin aceite**. Se debe llenar antes de encenderlo.

Llene de aceite, sacando la tapa de llenado / varilla medidora. Agregue aceite hasta que el nivel llegue al fondo de la abertura. Verifique el nivel del aceite, empujando la varilla medidora limpia dentro de la abertura de llenado de aceite. **NO LA ATORNILLE**. Saque la varilla medidora y verifique. De ser necesario, agregue aceite. Vuelva a colocar la tapa / varilla medidora.

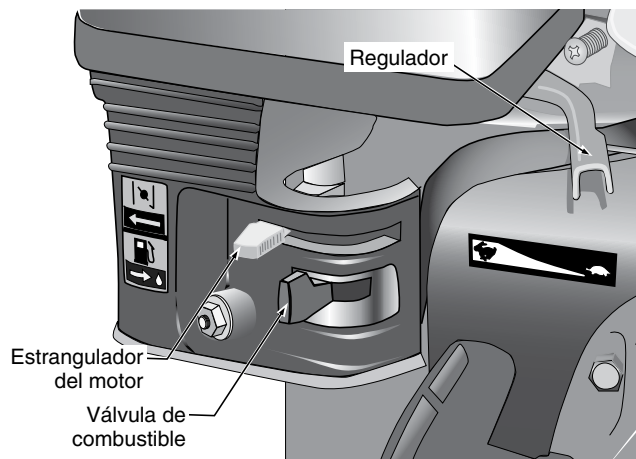
La capacidad de aceite es de 0.63 cuartos (0.6 litro). Se debe usar aceite 10W-30 en condiciones normales. Si el motor marchará a temperaturas superiores a los 90° F (32° C), use aceite 10W-40.

Observe que el motor tiene un sistema de monitoreo del nivel de aceite. Si el nivel del aceite desciende demasiado, el sistema apagará el motor automáticamente.

Agregue gasolina

Llene el tanque con gasolina fresca y limpia. Es necesario que sea combustible sin plomo con un octanaje de 86 o mayor.

No llene el tanque hasta que se desborde. Limpie toda gasolina que se haya derramado antes de encender el motor.



Abra la válvula de combustible

Mueva la válvula de combustible a la derecha para permitir que el combustible llegue al motor.

Cierre el estrangulador

Cuando encienda un motor frío, mueva el control del estrangulador hacia la izquierda (cerrado). A medida que el motor se caliente, mueva el estrangulador hacia la derecha (abierto). Un motor caliente se debe encender con el estrangulador abierto.

Coloque el regulador en posición

Mueva al regulador (control de velocidad) ligeramente hacia la izquierda.

Coloque el interruptor del motor en la posición de encendido

El interruptor del motor controla el encendido. Muévelo a la posición ON para encender el motor. El mismo control se usa para detener el motor.

Jale del estérter

Jale del mango en el estérter de retroceso. Ajuste el regulador a la velocidad deseada. Mueva el estrangulador hacia la derecha a medida que el motor se caliente.

Parada del motor

Detenga el motor, colocando el interruptor del motor en la posición OFF.

Coloque el control de combustible en la posición apagada "OFF" (izquierda).

Mantenimiento del motor

Filtro de aire

Es necesario inspeccionar el filtro de aire todos los meses para verificar que no se haya acumulado polvo y suciedad. El elemento del filtro se debe sacar cada 6 meses para limpiarlo. Limpie el elemento de espuma con agua tibia y detergente. Escurra el exceso de agua y deje que se seque. Antes de volver a colocar el elemento del filtro, póngalo en remojo en aceite de motor y escurra el exceso. Vuelva a colocar el filtro.

El motor emitirá humo cuando se encienda si se ha dejado demasiado aceite en el elemento del filtro.

Nivel del aceite

Es necesario inspeccionar el nivel del aceite antes de cada uso.

Cambio de aceite

Se debe cambiar el aceite durante el primer mes, y luego cada 6 meses (o 100 horas de funcionamiento). Para drenar el aceite, deje marchar el motor hasta que se caliente. Apáguelo, saque el tapón de drenaje de aceite y drene el aceite en una bandeja. Vuelva a colocar el tapón y llene de aceite.

AVISO: Elimine el aceite usado en forma responsable. NO lo vierta por el desagüe, en el suelo ni en la basura. La mayoría de las comunidades tienen lugares de recolección para aceite usado.

Bujías

Es necesario chequear y limpiar las bujías cada 6 meses o cada 100 horas. Si la bujía está averiada o demasiado gastada, se deberá reemplazar.

Use bujía tipo BPR6ES (NGK) o equivalente. El intervalo de la bujía debe ser 0.030 in. (0.75 mm).

Localización de fallas del motor

Si el motor no arranca:

- Verifique que haya gasolina en el tanque
- Verifique que la válvula de combustible esté en la posición ON y que el interruptor del motor esté en la posición ON
- Verifique que haya suficiente aceite en el motor para reposicionar el detector de nivel bajo de aceite
- Verifique que el combustible llegue al carburador*
- Verifique que haya una chispa en la bujía*

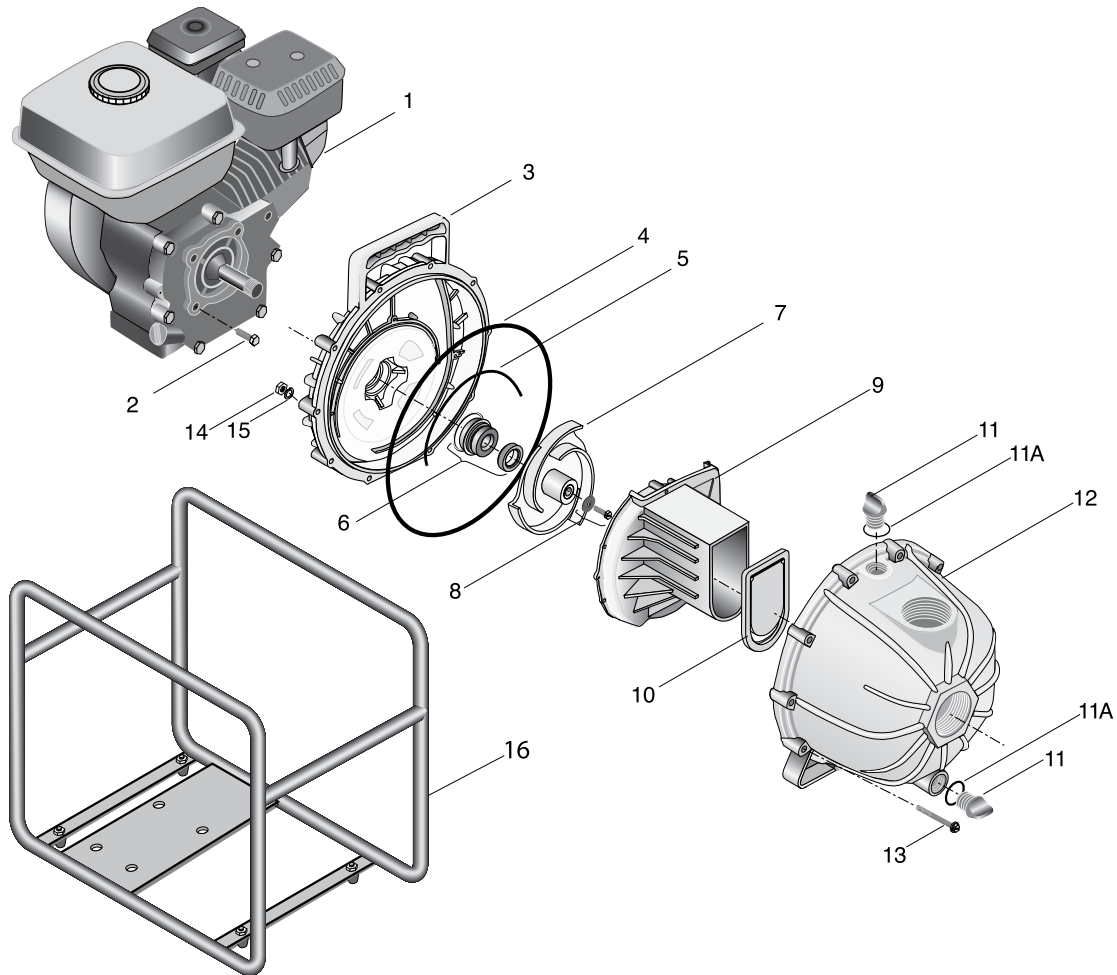
* Estas verificaciones deben ser realizadas por personas con experiencia en motores pequeños.

Almacenamiento prolongado

Si la bomba estará almacenada por más de uno o dos meses, siga las siguientes instrucciones.

- Drene la gasolina
- Cambie el aceite
- Agregue un chorro de aceite (o una sustancia química para guardar motores) en el orificio de la bujía.
- Haga girar el motor lentamente hasta que se sienta resistencia (eso indica que ambas válvulas están cerradas).
- Instale la bujía
- Cubra el motor

PIEZAS DE REPUESTO DE LA BOMBA (VISTA DETALLADA)



Artículo	Descripción	Cantidad	Número de pieza
1	Motor	1	*
2	Tornillos de montaje del motor, 5/16-24 x 0.75	4	†
3	Placa de sello	1	M13906
4	Aro tórico, unidad de la bomba	1	M13910
5	Empaquetadura del Difusor (Segmento del aro tórico)	1	M13918
6	Sello mecánico	1	M13914
7	Juego de impulsor (incluye la llave del impulsor)	1	M14457KIT
8	Tornillo del impulsor, 5/16-24 x 1.25	1	S23562
9	Arandela de caucho para el tornillo del impulsor	1	M13913
10	Difusor	1	M13907
11	Válvula de chapaleta	1	M13909
12	Tapón	2	M13911
12a	Aro tórico, Tapón	2	M13912
13	Caja de la bomba	1	M13905
14	Tornillo, Tornillo para metales con cabeza hexagonal, 1/4-20 x 2.5	10	†
15	Tuercas, 1/4-20	10	†
16	Arandela de presión	10	†
17	Jaula de protección	1	M13922RC
	Tornillo, Difusor, #6 x 1/2 autorroscante	2	†
	Tornillo, Difusor, #10 x 1-1/2 autorroscante	1	†

• No se ilustra.

† Adquirir localmente.

* De ser necesario, reemplace toda la bomba.

Para la información sobre las piezas, llame 262-728-9181.

Garantía limitada

PENTAIR le garantiza al comprador/consumidor original (“Comprador” o “Usted”) de los productos enumerados abajo, que estos estarán libres de defectos en material y mano de obra durante el Período de Garantía indicado a continuación.

Producto	Período de garantía
Productos de sistemas de agua — bombas de chorro, pequeñas bombas centrífugas, bombas sumergibles y accesorios asociados	<i>lo que ocurra primero:</i> 12 meses desde la fecha de la instalación inicial, o 18 meses desde la fecha de fabricación
PENTEK INTELLIDRIVE™	12 meses desde la fecha de la instalación inicial, o 18 meses desde la fecha de fabricación
Tanques de compuesto Pro-Source™	5 años desde la fecha de la instalación inicial
Tanques a presión de acero Pro-Source™	5 años desde la fecha de la instalación inicial
Tanques con revestimiento epoxídico Pro-Source™	3 años desde la fecha de la instalación inicial
Productos para sumideros/aguas residuales/efluente	12 meses desde la fecha de la instalación inicial, o 18 meses desde la fecha de fabricación

Nuestra garantía no se aplicará a ningún producto que, a nuestro sólo juicio, haya sido sometido a negligencia, mal uso, instalación inadecuada o mal mantenimiento. Sin perjuicio a lo que antecede, la garantía quedará anulada en el caso en que un motor trifásico se haya usado con una fuente de alimentación monofásica, a través de un convertidor de fase. Es importante indicar que los motores trifásicos deben estar protegidos por relés de sobrecarga de disparo extra-rápido, con compensación ambiental de tres etapas, del tamaño recomendado, de lo contrario, la garantía quedará anulada. Su único recurso, y la única obligación de PENTAIR es que PENTAIR repare o reemplace los productos defectuosos (a juicio de PENTAIR). Usted deberá pagar todos los cargos de mano de obra y de envío asociados con esta garantía y deberá solicitar el servicio bajo garantía a través del concesionario instalador tan pronto como se descubra un problema. No se aceptará ninguna solicitud de servicio bajo garantía que se reciba después del vencimiento del Período de Garantía. Esta garantía no se puede transferir.

PENTAIR NO SE HARÁ RESPONSABLE DE NINGÚN DAÑO CONSECUENTE, INCIDENTAL O CONTINGENTE.

LAS GARANTÍAS LIMITADAS QUE ANTECEDEN SON EXCLUSIVAS Y EN LUGAR DE TODA OTRA GARANTÍA EXPLÍCITA E IMPLÍCITA, INCLUYENDO, PERO SIN LIMITARSE A LAS GARANTÍAS IMPLÍCITAS DE COMERCIABILIDAD E IDONEIDAD PARA UN FIN ESPECÍFICO. LAS GARANTÍAS LIMITADAS QUE ANTECEDEN NO SE EXTENDERÁN MÁS ALLÁ DEL PERÍODO DE DURACIÓN INDICADO EN LA PRESENTE.

Algunos estados no permiten la exclusión o limitación de daños incidentales o consecuentes o de limitaciones de tiempo sobre garantías implícitas, de modo que es posible que las limitaciones o exclusiones que preceden no correspondan en su caso. Esta garantía le otorga derechos legales específicos y es posible que usted también tenga otros derechos que pueden variar de un estado al otro.

Esta Garantía Limitada entra en vigor el 1 de junio de 2011 y sustituye toda garantía sin fecha o garantía con fecha anterior al 1 de junio de 2011.

PENTAIR
293 Wright St., Delavan, WI 53115
Teléfono (262) 728-5551 • Fax (262) 728-7323

MOTOR: Consulte el manual de operación del fabricante del motor para obtener información completa sobre su mantenimiento y garantía.

