



Water is Our Business®

293 Wright Street, Delavan, WI 53115

Phone: 800-365-6832

Fax: 800-526-3757

www.flotecwater.com

OWNER'S MANUAL

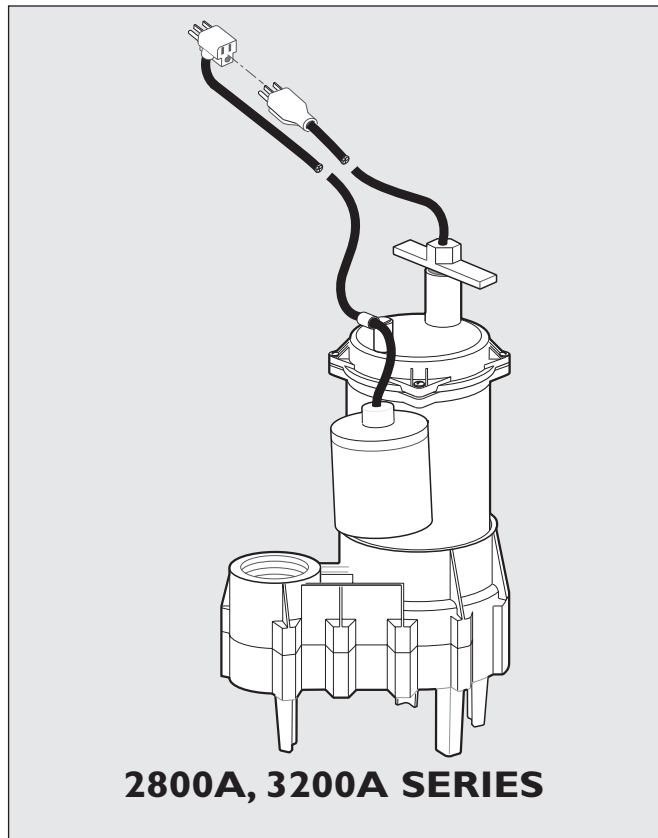
Submersible Solids Handling Pumps

NOTICE D'UTILISATION

Pompes submersibles pour les matières solides

MANUAL DEL USUARIO

Bombas submergibles para el manejo de líquidos con sólidos



Installation/Operation/Parts

For further operating, installation, or maintenance assistance:

Call 800-365-6832

English. Pages 2-6

Installation/Fonctionnement/Pièces

Pour plus de renseignements concernant l'utilisation, l'installation ou l'entretien,

Composer le (800) 365-6832

Français Pages 7-11

Instalación/Operación/Piezas

Para mayor información sobre el funcionamiento, instalación o mantenimiento de la bomba:

Llame al 800-365-6832

Español Páginas 12-16

Important Safety Instructions

SAVE THESE INSTRUCTIONS - This manual contains important instructions that should be followed during installation, operation, and maintenance of the product.

▲ This is the safety alert symbol. When you see this symbol on your pump or in this manual, look for one of the following signal words and be alert to the potential for personal injury!

▲ DANGER indicates a hazard which, if not avoided, will result in death or serious injury.

▲ WARNING indicates a hazard which, if not avoided, could result in death or serious injury.

▲ CAUTION indicates a hazard which, if not avoided, could result in minor or moderate injury.

NOTICE addresses practices not related to personal injury.

Carefully read and follow all safety instructions in this manual and on pump.

Keep safety labels in good condition. Replace missing or damaged safety labels.

California Proposition 65 Warning

▲ WARNING This product and related accessories contain chemicals known to the State of California to cause cancer, birth defects or other reproductive harm.

1. Read this manual carefully. Failure to follow these Instructions could cause serious bodily injury and/or property damage.
2. Check your local codes before installing. You must comply with their rules.
3. Vent sewage or septic tank according to local codes.
4. Do not install pump in any location classified as hazardous by National Electrical Code, ANSI/NFPA 70-1990.

▲ WARNING Risk of electric shock. Can shock, burn or kill.

- Do not lift pump by power cord. See *Cord Lift Warning*.
- During operation, the pump is in water. To avoid fatal shocks, proceed as follows if pump needs servicing:
 - 5A. Disconnect power to outlet box before unplugging pump.
 - 5B. Take extreme care when changing fuses. Do not stand in water or put your finger in fuse socket.
 - 5C. Do not modify cord and plug. When using cord and plug, plug into a grounded outlet only. When wiring

to a system control, connect pump ground lead to system ground.

6. Do not run pump dry. Dry running can overheat pump, (causing burns to anyone handling it) and will void warranty.
7. Pump normally runs hot. To avoid burns when servicing pump, allow it to cool for 20 minutes after shut-down before handling it.
8. In normal service, motor should not need oiling. Motor has been filled at the factory with a special oil.

Installation

NOTICE Install pump on a hard, level surface (cement, asphalt, etc.). Never place pump directly on earth, clay or gravel surfaces.

Piping – Effluent Applications (3/4” or Less Solids)

Piping must be 1-1/2” minimum to carry volume of pump discharge. Check local codes to determine if a check valve is required in your system. In cold climates, check valves are not used to prevent effluent from freezing in piping.

If using as a sump pump, a check valve is recommended.

Piping – Sewage Applications (2” or Less Solids)

In any case, piping must not be smaller than pump discharge. When installed in a sewage system, pipe must be capable of handling semi-solids of at least 2” (5.1 cm) diameter. The rate of flow in the discharge pipe must keep any solids present in suspension in the fluid. To meet minimum flow requirements (2 feet [0.6 m] per second in discharge line), size pipe as follows:

A Pipe Size Of:	Will Handle a Flow Rate Of:
1-1/2" (3.8 cm)	12 GPM (45 LPM)
2" (5.1 cm)	21 GPM (79 LPM)
2-1/2" (6.3 cm)	30 GPM (113 LPM)
3" (7.6 cm)	48 (GPM (181 LPM)

Performance

MODEL	GPH (Liters) At Discharge Ft. Of Head				
	5 (1.5m)	10 (3m)	15 (4.6m)	20 (6.1m)	25 (7.6m)
FPSE2800A	3180 (12,038)	2700 (10,221)	2700 (7,949)	1500 (5,678)	750 (2,839)
FPSE3200A	3900 (14,763)	2550 (9,653)	960 (3,634)	0	-

Use a 2" (5.1 cm) swing check valve in pump discharge to prevent backflow of liquid into sump basin. Check valve should be a free flow valve that will easily pass solids.

NOTICE For best performance of check valve when handling solids, do not install it with discharge angled more than 45° above the horizontal. Do not install check valve in a vertical position as solids may settle in valve and prevent opening on startup.

Drill a 3/16" (4.7mm) hole in discharge pipe about 1"-2" (2.5 - 5.1cm) above pump discharge connection (but below check valve) to prevent airlocking the pump.

Electrical

⚠ WARNING Risk of electric shock. Can shock, burn or kill. When installing, operating, or servicing this pump, follow safety instructions listed below.

- Step 1. DO NOT splice the electrical power cord.
- Step 2. DO NOT allow electrical cord plug to be submerged.
- Step 3. DO NOT use extension cords. They are a fire hazard and can reduce voltage sufficiently to prevent pumping and/or damage motor.
- Step 4. DO NOT handle or service pump while it is connected to power supply.
- Step 5. DO NOT remove grounding prong from plug or modify plug. To protect against electrical shock, the power cord is a three-wire conductor and includes a 3-prong grounded plug. Plug pump into a 3-wire, grounded, grounding-type receptacle. Connect pump according to electrical codes that apply.

For automatic operation, plug or wire pump into an automatic float switch or pump controller. Pump will run continuously when plugged directly into an electrical outlet. Connect or wire pump to an individual branch circuit with no other outlets or equipment in the circuit. Size fuses or circuit breakers according to chart below.

⚠ WARNING Risk of electrical shock and fire. Be sure that power supply information (Voltage/ Hertz/Phase) on pump motor nameplate matches incoming power supply exactly. Install pump according to all electrical codes that apply.

Operation

NOTICE Do not allow pump to run in a dry sump. It will void the warranty and may damage the pump.

An automatic overload protector in the motor will protect motor from burning out due to overheating/overloading. When motor cools down, overload protector will automatically reset and start motor.

If overload trips frequently, check for cause. It could be a stuck impeller, wrong/low voltage, or electrical failure in motor. If an electrical failure in the motor is suspected, have it serviced by a competent repairman.

Pump is permanently lubricated. No oiling or greasing is required.

General

⚠ WARNING Risk of electric shock. Can shock, burn or kill.

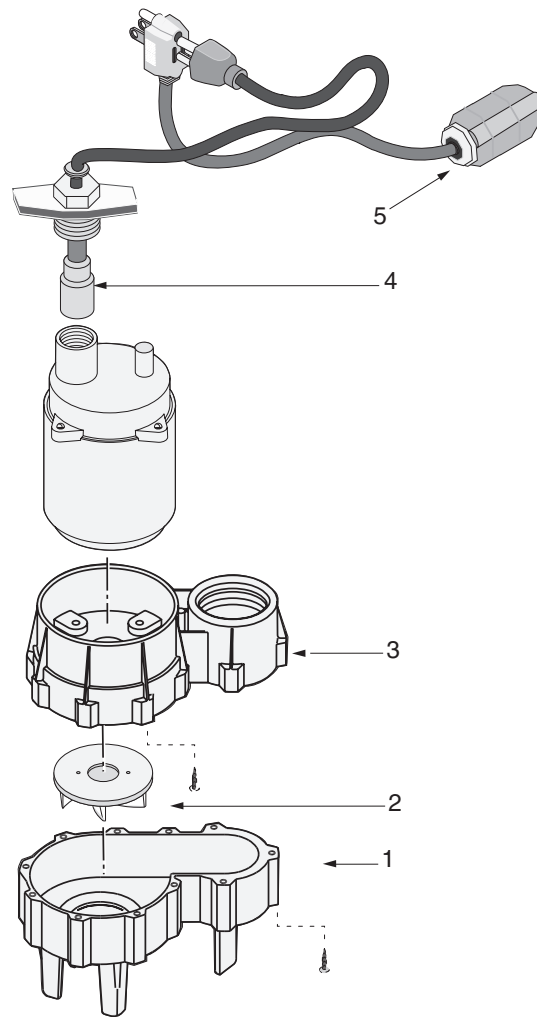
- Before removing pump from basin for service, always disconnect electrical power to pump and control switch.
- Do not lift pump by power cord. See *Cord Lift Warning*.

Submerge pump in a disinfectant solution (bleach) for at least one hour before disassembling pump.

The pump motor contains a special lubricating oil which should be kept clean and free of water at all times.

Fuse Data

MODEL	HP	Voltage	Individual Branch Circuit Required (Amps)	Dual Element Time Delay Fuse Amps
2800A	1/3	115	15	10
3200A	4/10			



Ref	Description	Qty.	FPSE2800A	FPSE3200A
1	Lower Volute	1	PW1-12P	PW1-11P
2	Impeller	1	PW5-13	PW5-15P
3	Upper Volute	1	PW1-10P	PW1-10P
4	Power Cord	1	PS117-51-TSE	PS117-53-TSE
5	Automatic Float Switch	1	PS17-92	FP18-15BD

If motor fails, replace pump.


⚠ WARNING Risk of sudden starts. Can cause electrical shock and personal injury. If power to pump is on when thermal overload resets, pump may start without

warning. If you are working on pump, you may get an electrical shock or impeller may catch fingers or tools. Disconnect power before servicing pump.

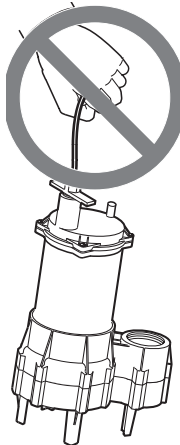

Pump fails to operate	Check to be sure that the power cord is securely plugged into outlet. Disconnect power to outlet before handling pump or motor.
	Check to be sure you have electrical power.
	Check that liquid fluid levels is high enough to activate switch or controller.
	Check to be sure that 3/16" (4.7mm) vent hole in discharge pipe is not plugged.
	Check for blockage in pump inlet, impeller, check valve or discharge pipe.
	Thermal overload may have tripped. Test start pump; if it starts and then stops immediately, disconnect from power source for 30 minutes to allow motor to cool, then reconnect to power source. Check for cause of overheating/overloading.
Pump fails to empty sump	Be sure all valve in discharge are fully open.
	Clean out discharge pipe and check valves.
	Check for blockage in pump inlet or impeller.
	Pump not sized properly. A higher capacity pump may be required.
Pump will not shut off	Check switch or controller automatic floats for proper operation and location. See installation instructions for switch/controller.
	If pump is completely inoperative or continues to malfunction, consult your local serviceman.

Cord Lift Warning

⚠ WARNING



Risk of electrical shock.
Can shock, burn, or cause death.
Do not lift pump by power cord.

1. Attempting to lift or support pump by power cord can damage cord and cord connections.
2. Cord may pull apart, exposing bare wires with possibility of fire or electrical shock.
3. Lifting or supporting pump by power cord will void warranty.
4. Use lifting ring or handle on top of pump for all lifting/lowering of pump. Disconnect power to pump before doing any work on pump or attempting to remove pump from sump.

Retain Original Receipt For Warranty Eligibility

Limited Warranty

This Limited Warranty is effective June 1, 2011 and replaces all undated warranties and warranties dated before June 1, 2011. FLOTEC warrants to the original consumer purchaser ("Purchaser" or "You") that its products are free from defects in material and workmanship for a period of twelve (12) months from the date of the original consumer purchase. If, within twelve (12) months from the original consumer purchase, any such product shall prove to be defective, it shall be repaired or replaced at FLOTEC's option, subject to the terms and conditions set forth herein. Note that this limited warranty applies to manufacturing defects only and not to ordinary wear and tear. All mechanical devices need periodic parts and service to perform well. This limited warranty does not cover repair when normal use has exhausted the life of a part or the equipment.

The original purchase receipt and product warranty information label are required to determine warranty eligibility. Eligibility is based on purchase date of original product – not the date of replacement under warranty. The warranty is limited to repair or replacement of original purchased product only, not replacement product (i.e. one warranty replacement allowed per purchase). Purchaser pays all removal, installation, labor, shipping, and incidental charges.

For parts or troubleshooting assistance, DO NOT return product to your retail store - contact FLOTEC Customer Service at 800-365-6832.

Claims made under this warranty shall be made by returning the product (except sewage pumps, see below) to the retail outlet where it was purchased or to the factory immediately after the discovery of any alleged defect. FLOTEC will subsequently take corrective action as promptly as reasonably possible. No requests for service will be accepted if received more than 30 days after the warranty expires. Warranty is not transferable and does not apply to products used in commercial/rental applications.

Sewage Pumps

DO NOT return a sewage pump (that has been installed) to your retail store. Contact FLOTEC Customer Service. Sewage pumps that have seen service and been removed carry a contamination hazard with them.

If your sewage pump has failed:

- Wear rubber gloves when handling the pump;
- For warranty purposes, return the pump's cord tag and original receipt of purchase to the retail store;
- Dispose of the pump according to local disposal ordinances.

Exceptions to the Twelve (12) Month Limited Warranty

Product	Warranty Period
FPOF360AC, FPOFDC	90 days
FPOS1775A, FPOS1790PCA, FPOS2400A, FPOS2450A, FPOS4100X, FP2800DCC, FPCP-20ULST, FPPSS3000, FPSC2150A, FPSC3150A, FPSC3350A	2 Years
4" Submersible Well Pumps, FPOS3200A, FPOS3250A, FPOS6000A, FPSC1725X, FPSC2200A, FPSC2250A, FPSE3601A, FPPSS5000	3 Years
FP7100 Series Pressure Tanks, E100ELT, E3305TLT, E3375TLT, E5005TLT, E50TLT, E50VLT, E75STVT, E75VLT, FPSC3200A, FPSC3250A, FPSC4550A	5 Years

General Terms and Conditions; Limitation of Remedies

You must pay all labor and shipping charges necessary to replace product covered by this warranty. This warranty does not apply to the following: (1) acts of God; (2) products which, in FLOTEC's sole judgment, have been subject to negligence, abuse, accident, misapplication, tampering, or alteration; (3) failures due to improper installation, operation, maintenance or storage; (4) atypical or unapproved application, use or service; (5) failures caused by corrosion, rust or other foreign materials in the system, or operation at pressures in excess of recommended maximums.

This warranty sets forth FLOTEC's sole obligation and purchaser's exclusive remedy for defective products.


FLOTEC SHALL NOT BE LIABLE FOR ANY CONSEQUENTIAL, INCIDENTAL, OR CONTINGENT DAMAGES WHATSOEVER. THE FOREGOING LIMITED WARRANTIES ARE EXCLUSIVE AND IN LIEU OF ALL OTHER EXPRESS AND IMPLIED WARRANTIES, INCLUDING BUT NOT LIMITED TO IMPLIED WARRANTIES OF MERCHANTABILITY AND FITNESS FOR A PARTICULAR PURPOSE. THE FOREGOING LIMITED WARRANTIES SHALL NOT EXTEND BEYOND THE DURATION PROVIDED HEREIN.

Some states do not allow the exclusion or limitation of incidental or consequential damages or limitations on how long an implied warranty lasts, so the above limitations or exclusions may not apply to You. This warranty gives You specific legal rights and You may also have other rights which vary from state to state.

FLOTEC • 293 Wright Street • Delavan, WI U.S.A. 53115
Phone: 800-365-6832 • Fax: 800-526-3757 • www.flotecwater.com

Directives de sécurité importantes

Conservez ces directives – Ce manuel renferme d'importantes directives qu'il faut suivre durant l'installation et l'entretien de la pompe.

Ce symbole  indique qu'il faut être prudent. Lorsque ce symbole apparaît sur la pompe ou dans cette Notice, rechercher une des mises en garde qui suivent, car elles indiquent un potentiel de blessures corporelles!

Le mot signal **DANGER** indique un danger qui, s'il n'est pas évité, *causera* la mort ou des blessures graves.

Le mot signal **AVERTISSEMENT** indique un risque qui, s'il n'est pas évité, *pourrait causer* la mort ou des blessures graves.

Le mot signal **ATTENTION** indique un risque qui, s'il n'est pas évité, *pourrait causer* des blessures mineures ou modérées.

Le mot **AVIS** est utilisé pour les pratiques qui ne sont pas reliées aux blessures personnelles.

Lire attentivement toutes les consignes de sécurité contenues dans cette Notice ou collées sur la pompe.

Garder les autocollants de sécurité en bon état; les remplacer s'ils manquent ou s'ils ont été endommagés.

Avertissement lié à la Proposition 65 de la Californie

AVERTISSEMENT Ce produit et les accessoires connexes contiennent des produits chimiques reconnus dans l'État de la Californie comme pouvant provoquer des cancers, des anomalies congénitales ou d'autres dangers relatifs à la reproduction.

1. Lire attentivement ces règles d'utilisation et instructions. Le non-respect de ces prescriptions peut entraîner des blessures graves ou des dommages matériels.
2. Vérifier les codes locaux avant l'installation. Leurs règles doivent être suivies.
3. Ventiler les eaux usées ou le réservoir septique conformément aux règles du code local.
4. Ne pas installer la pompe à un endroit classé dangereux par le Code National de l'électricité, ANSI/NFPA 70-1990.

AVERTISSEMENT **Risque de secousses électriques.** Pouvant causer des brûlures, voire la mort.

- Pendant son fonctionnement, la pompe est immergée. Pour éviter les chocs électriques mortels, suivre la procédure suivante si la pompe nécessite intervention :
 - Ne pas lever la pompe par le cordon d'alimentation. Se reporter à Avertissement - *Ne pas lever la pompe par le cordon*
- 5A. Couper l'alimentation au niveau de la prise de courant avant de débrancher la pompe.
- 5B. Exercer la plus grande prudence lors du remplacement des fusibles. Éviter de se placer dans l'eau ou de placer le doigt dans le support du fusible.

- 5C. Ne modifier le cordon d'alimentation. Lors de l'utilisation du cordon et du connecteur, ne les enficher que dans une prise de courant reliée à la terre. Lorsque la connexion se fait vers le boîtier de commande du système, relier le fil de masse de la pompe à la prise de terre du système.
6. Ne pas faire fonctionner la pompe à vide. Faire fonctionner la pompe sans eau risque de la faire surchauffer (et de causer ainsi des brûlures) et annule la garantie.
7. La pompe chauffe lorsqu'elle fonctionne. Pour éviter les brûlures lors des interventions sur la pompe, la laisser refroidir après la mise à l'arrêt pendant 20 minutes avant de la manipuler.
8. Lors d'une utilisation normale, le moteur ne devrait pas avoir besoin d'huile ; il a été lubrifié en usine avec une huile spéciale.

Installation

AVIS Installer la pompe sur une surface plane et dure (ciment, asphalte, béton etc.). Ne jamais poser la pompe à même la terre, sur de l'argile ou du gravier.

Tuyauterie – applications effluents (matières solides de 1,8 cm (3/4 po) ou moins)

Les tuyauteries doivent être d'au moins 3,8 cm (1-1/2 po) de diamètre pour évacuer le matériau que refoule la pompe. Vérifier les réglementations locales pour déterminer si votre système requiert un clapet de non-retour. Dans les régions aux basses températures, les clapets de non-retour ne sont pas utilisés pour empêcher l'effluent de geler dans la tuyauterie.

Il est recommandé d'utiliser un clapet de non-retour dans un puisard.

Tuyauterie – réseau d'égouts (matières solides de 5,1 cm (2 po) ou moins)

Les tuyauteries ne peuvent en aucun cas être de diamètre inférieur au matériau que refoule la pompe. Lorsqu'elle est installée dans un réseau d'égouts, il faut que la tuyauterie puisse évacuer des semi-solides d'au moins 5,1 cm (2 po) de diamètre.

L'écoulement dans le tuyau d'évacuation doit permettre à tous solides de demeurer en suspension dans le liquide. Pour assurer l'écoulement minimum imposé (0,6 m (2 pi) par seconde dans la canalisation de refoulement), utiliser des tuyauteries des dimensions suivantes :

Un tuyau de diamètre:	Assure un écoulement de:
3,8 cm (1-1/2")	45 LPM (12 GPM)
5,1 cm (2")	79 LPM (21 GPM)
6,3 cm (2-1/2")	113 LPM (30 GPM)
7,6 cm (3")	181 LPM (48 GPM)

Rendement

LPH / Hauteur de refoulement en mètres					
Modèles	5 (1.5m)	10 (3m)	15 (4.6m)	20 (6.1m)	25 (7.6m)
FPSE2800A	3180 (12,038)	2700 (10,221)	2700 (7,949)	1500 (5,678)	750 (2,839)
FPSE3200A	3900 (14,763)	2550 (9,653)	960 (3,634)	0	-

Pour les services des pièces ou d'assistance, appeler le service à la clientèle Flotec en composant le (800)365-6832.

Utiliser un clapet de non-retour de 5,1 cm (2 po) dans le tuyau d'évacuation pour éviter que le liquide ne refoule dans le bassin du puisard. Le clapet de non-retour devrait constituer une valve à écoulement libre laissant passer les solides.

AVIS Pour assurer le fonctionnement optimal du clapet de non-retour en présence de solides, ne pas l'incliner avec un angle de plus de 45° au-dessus de l'horizontale. Ne pas installer le clapet de non-retour en position verticale, les solides pouvant s'y accumuler et empêcher son ouverture lors du démarrage.

Forer un trou de 4,7 mm (3/16èmes de pouce) dans le tuyau d'évacuation à une distance de 2,5 à 5,1 cm (1 à 2 po) de la connexion de refoulement de la pompe (mais en dessous du clapet de non-retour) pour éviter les poches d'air et le blocage de la pompe.

Électricité

⚠ AVERTISSEMENT **Risque de secousses électriques.** Pouvant causer des brûlures, voire la mort. Lors de l'installation, du fonctionnement de la pompe ou lors d'une intervention sur la pompe, suivre scrupuleusement les instructions ci-dessous :

- 1 ° NE PAS épisser le cordon d'alimentation.
- 2 ° NE PAS immerger le connecteur du cordon d'alimentation.
- 3 ° NE PAS utiliser de rallonges. Elles constituent un danger d'incendie et peuvent réduire la tension de manière suffisante pour empêcher le pompage ou endommager la pompe.
- 4 ° NE PAS manipuler la pompe ou intervenir sur la pompe lorsqu'elle est branchée.
- 5 ° NE PAS retirer la broche de mise à la masse du connecteur ou modifier celui-ci. Pour assurer la protection contre l'électrocution, le cordon d'alimentation est un conducteur à trois fils et comporte un connecteur à trois broches avec prise de terre. Brancher la pompe dans une prise à 3 fils, raccordée à la masse. Connecter la pompe en accord avec les codes électriques en vigueur.

Pour le fonctionnement automatique, brancher le connecteur de la pompe ou brancher ses fils directement à un interrupteur automatique à flotteur ou à un boîtier de commande en pompe. La pompe fonctionnera de façon permanente lorsqu'elle sera reliée à une prise de courant. Brancher le connecteur ou directement les fils de la pompe sur circuit de dérivation individuel spécifique, libre de tout autre équipement ou prise de courant. Sélectionner fusibles ou disjoncteur en fonction du tableau ci-dessous.

⚠ AVERTISSEMENT **Risque de secousses électriques.** Pouvant causer des brûlures, voire la mort. S'assurer que les informations relatives à l'alimentation (tension/ fréquence en Hertz/phase) sur la plaquette d'identification de la pompe correspondent exactement à l'alimentation disponible. Installer la pompe en accord avec les codes électriques en vigueur.

Fonctionnement

AVIS Ne pas faire fonctionner la pompe dans un puisard sec. La garantie sera annulée et la pompe pourra être endommagée.

Une protection automatique contre les surcharges empêche le moteur de brûler suite à une surchauffe/surcharge. Lorsque le moteur se sera refroidi, le dispositif de protection contre les surcharges (le disjoncteur) se réinitialisera automatiquement et relancera le moteur.

Si le moteur disjoncte fréquemment, en rechercher la cause. Il peut s'agir d'un démarreur coincé, d'une tension incorrecte ou trop faible, ou d'une panne électrique à l'intérieur du moteur. Dans ce dernier cas, il faut avoir recours à l'intervention d'un spécialiste.

La pompe a été lubrifiée en usine. Aucun huilage ou graissage n'est nécessaire.

Généralités

⚠ AVERTISSEMENT **Risque de secousses électriques.** Pouvant causer des brûlures, voire la mort.

- Risque d'électrocution, de brûlures ou d'accident mortel. Avant de retirer la pompe du bassin pour une intervention, déconnecter l'alimentation de la pompe et du boîtier de commande.
- Ne pas lever la pompe par le cordon d'alimentation. Se reporter à *Avertissement - Ne pas lever la pompe par le cordon*

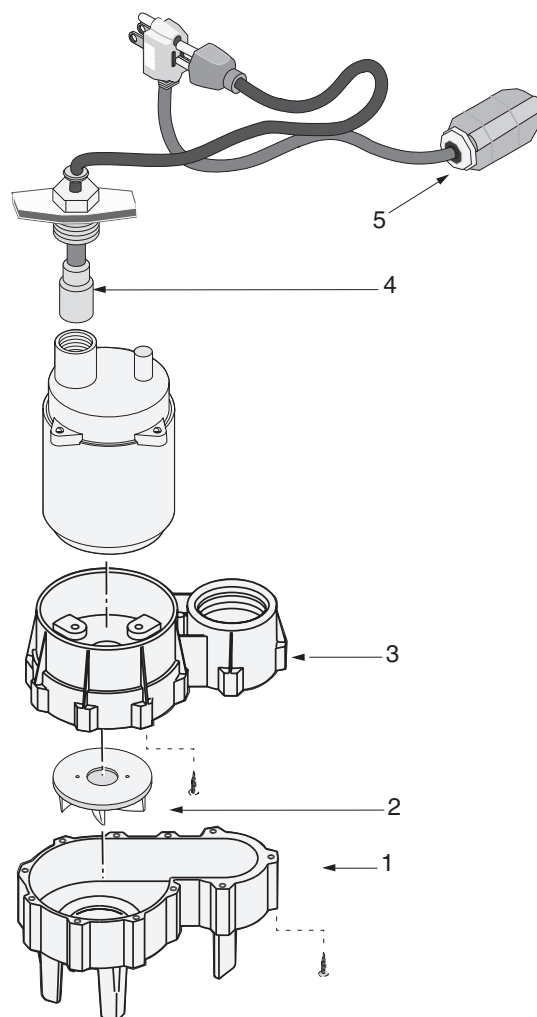
Immerger la pompe dans une solution désinfectante (solution chlorée) pendant une heure minimum avant de la démonter.

Le moteur de la pompe contient une huile spéciale qui doit être gardée propre en permanence et ne pas entrer en contact avec de l'eau.

Données sur les fusibles

Modèle	CV	Tension	Circuit de dérivation individuel requis (en ampères)	Ampérage de fusibles temporisés	Ampérage de fusibles bicomposants
2800A	1/3	115	15	10	
3200A	4/10				

Pour les services des pièces ou d'assistance, appeler le service à la clientèle Flotec en composant le (800)365-6832.



Ref	Désignation	Qté.	FPSE2800A	FPSE3200A
1	Volute inférieure	1	PW1-12P	PW1-11P
2	Rotor	1	PW5-13	PW5-15P
3	Volute supérieure	1	PW1-10P	PW1-10P
4	Cordon d'alimentation	1	PS117-51-TSE	PS117-53-TSE
5	Contact-flotteur autom	1	PS17-92	FP18-15BD

Si le moteur tombe en panne,remplacer la pompe.


⚠ AVERTISSEMENT **Risque de démarrages brusques.** Pouvant causer des secousses électriques et des blessures corporelles. Si la pompe est alimentée lors de la réinitialisation après surcharge thermique, elle peut se mettre en fonctionnement

sans avertissement. Si on travaille à ce moment sur la pompe, il y a risque d'électrocution ou le rotor peut entraîner les doigts ou l'outillage de l'utilisateur. Débrancher l'alimentation avant d'intervenir sur la pompe.


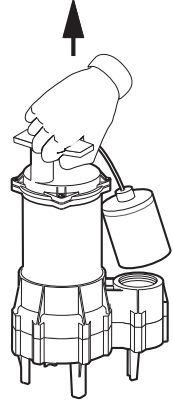
La pompe ne fonctionne pas	Vérifier si le cordon est bien enfoncé dans la prise de courant. Déconnecter l'alimentation de la prise de courant avant de manipuler la pompe ou le moteur.
	Vérifier si la tension est bien présente.
	Vérifier si la tension est bien présente.
	Vérifier si le trou de ventilation de 4,7 mm (3/16èmes de pouce) du tuyau d'évacuation n'est pas bouché.
	Vérifier un blocage de la crépine d'entrée, du rotor, du clapet de non-retour ou du tuyau d'évacuation.
	Le disjoncteur de surcharge thermique a peut-être fonctionné. Vérifier le démarrage de la pompe : si la pompe démarre et s'arrête aussitôt, la déconnecter de la source d'alimentation pendant 30 minutes pour permettre au moteur de refroidir, puis rebrancher l'alimentation. Rechercher la cause de la surchauffe/de la surcharge.
La pompe ne vide pas le puisard	Vérifier si toutes les valves de la valve de refoulement sont complètement ouvertes.
	Nettoyer le tuyau d'évacuation et vérifier la valve.
	Vérifier si la crépine d'entrée ou le rotor ne sont pas bloqués.
	La capacité de la pompe ne convient pas. Il est peut-être nécessaire d'installer une pompe de plus grande capacité.
La pompe ne s'arrête pas de fonctionner	Vérifier le fonctionnement et l'emplacement des contacts ou de la commande automatique du flotteur. Consulter les instructions d'installation pour le contact/la commande.
	Si la pompe est complètement hors fonctionnement ou continue à mal fonctionner, consulter le réparateur local.

Avertissement concernant le levage par le cordon électrique

⚠ AVERTISSEMENT



Risque de secousses électriques. Pouvant causer des brûlures, voire la mort.
Ne pas lever la pompe par son cordon électrique.

1. Les connexions et le cordon électrique de la pompe seront endommagés si on essaie de lever ou de supporter la pompe par son cordon.
2. Le cordon peut se débrancher et des fils nus peuvent être exposés, ce qui peut présenter le risque d'un incendie ou de subir des secousses électriques.
3. La garantie sera annulée si on lève ou supporte la pompe par son cordon électrique.
4. Pour lever ou abaisser la pompe, toujours utiliser son anneau ou sa poignée de levage qui se trouve dessus. Avant d'intervenir sur la pompe ou avant de la sortir du puisard, couper le courant qui l'alimente.

Conserver le reçu de caisse original aux fins d'admissibilité à la garantie

Garantie limitée

La présente garantie limitée est entrée en vigueur le 1er juin 2011 et remplace toute garantie non datée ou antérieure à cette date. FLOTEC garantit à l'acheteur/au consommateur d'origine (l'Acheteur) que ses produits sont exempts de tout vice de matériau et de fabrication. Cette garantie est valable pendant douze (12) mois à partir de la date d'achat d'origine. Si, dans les douze (12) mois suivant la date d'achat d'origine, un produit se révèle défectueux, il doit être réparé ou remplacé, à la discrétion de FLOTEC, selon les modalités énoncées aux présentes. Il est à noter que la présente garantie limitée s'applique aux défauts de fabrication seulement. Elle ne couvre pas l'usure normale. Tout dispositif mécanique doit faire l'objet d'un entretien périodique pour veiller à son bon fonctionnement. La présente garantie limitée ne couvre pas les réparations attribuables à l'usure normale d'une pièce ou de l'équipement.

Le reçu de caisse original et l'étiquette d'information sur la garantie sont nécessaires pour déterminer l'admissibilité à la garantie. Cette dernière est établie en fonction de la date d'achat de l'article et non de la date de son remplacement sous garantie. La garantie se limite à la réparation ou au remplacement de l'article original seulement et ne couvre pas l'article de rechange (c.-à-d. un article remplacé sous garantie par achat). L'Acheteur assume les frais de retrait, d'installation, de transport et tous les frais accessoires.

Pour obtenir des pièces ou de l'aide technique, NE PAS retourner le produit au détaillant. Contacter le service à la clientèle de FLOTEC au 800 365-6832.

Toute demande de règlement en vertu de la présente garantie doit être faite en retournant l'article (à l'exception des pompes de puisard; voir la marche à suivre ci-dessous) au magasin où celui-ci a été acheté ou à l'usine dès qu'une défectuosité est soupçonnée. FLOTEC prendra les mesures correctives nécessaires dans un délai rapide et raisonnable. Aucune demande de réparation ne sera acceptée plus de 30 jours après l'expiration de la garantie.

La garantie ne peut être cédée et ne s'applique pas aux produits utilisés à des fins commerciales ou de location.

Pompes d'eaux d'égout

NE PAS RETOURNER une pompe d'eaux d'égout (qui a été installée) au détaillant. Communiquer avec le service à la clientèle de FLOTEC. Les pompes d'eaux d'égout qui ont été utilisées, puis retirées présentent un risque de contamination.

En cas de défaillance de la pompe d'eaux d'égout :

- Porter des gants en caoutchouc pour manipuler la pompe.
- À des fins de garantie, retourner l'étiquette figurant sur le cordon de la pompe et l'original du reçu au détaillant.
- Mettre la pompe au rebut conformément à la réglementation locale.

Exceptions à la garantie limitée de douze (12) mois

Produit	Période de garantie
FP0F360AC, FP0FDC	90 jours
FP0S1775A, FP0S1790PCA, FP0S2400A, FP0S2450A, FP0S4100X, FP2800DCC, FPCP-20ULST, FPPSS3000, FPSC2150A, FPSC3150A, FPSC3350A	2 ans
Pompes de puits submersibles de 10,2 cm (4 po), FP0S3200A, FP0S3250A, FP0S6000A, FPSC1725X, FPSC2200A, FPSC2250A, FPSE3601A, FPPSS5000	3 ans
Réservoir préchargé de système d'eau (gamme FP7100), E100ELT, E3305TLT, E3375TLT, E5005TLTT, E50TLT, E50VLT, E75STVT, E75VLT, FPSC3200A, FPSC3250A, FPSC4550A	5 ans

Modalités générales et restriction des recours

L'Acheteur doit payer tous les frais de main d'œuvre et de transport nécessaires au remplacement du produit garanti couvert par cette garantie. Cette garantie ne s'applique pas à ce qui suit : (1) Les catastrophes naturelles; (2) Les produits qui, selon FLOTEC, ont fait l'objet d'une négligence, d'une utilisation abusive, d'un accident, d'une mauvaise application ou d'une altération; (3) Les défaillances dues à une installation, une utilisation, un entretien ou un entreposage inappropriés; (4) Une application, une utilisation ou une réparation atypique ou non approuvée; (5) Les défaillances causées par la corrosion, la rouille ou d'autres matériaux étrangers au système, ou par une utilisation à une pression supérieure au maximum recommandé.

Cette garantie établit la responsabilité unique de FLOTEC et le recours exclusif de l'Acheteur en cas de produit défectueux.

FLOTEC NE POURRA ÊTRE TENUE RESPONSABLE DE TOUT DOMMAGE INDIRECT OU CONSÉCUTIF QUEL QU'IL SOIT.

LA GARANTIE LIMITÉE SUSMENTIONNÉE EST EXCLUSIVE ET REMPLACE TOUTES LES AUTRES GARANTIES EXPRESSES ET TACITES, Y COMPRIS, MAIS SANS S'Y LIMITER, LES GARANTIES DE QUALITÉ MARCHANDE ET D'ADAPTATION À UN USAGE PARTICULIER. LA GARANTIE LIMITÉE SUSMENTIONNÉE NE DOIT PAS ÊTRE PROLONGÉE AU-DELÀ DE LA DURÉE PRÉVUE AUX PRÉSENTES.

Certains États ne permettent pas l'exclusion ou la limitation des dommages indirects ou consécutifs, ni les limitations relatives à la durée des garanties implicites. Par conséquent, il se peut que les limitations ou les exclusions ci-dessus ne s'appliquent pas. Cette garantie procure des droits juridiques précis à l'Acheteur. Cependant, il est possible de bénéficier d'autres droits, qui varient selon l'État.

FLOTEC • 293 Wright Street • Delavan, WI U.S.A. 53115

Téléphone : 800 365-6832 • Télécopieur : 800 526-3757 • www.flotecwater.com

Instrucciones importantes de seguridad

Guarde estas instrucciones - Este manual contiene instrucciones importantes que se deben seguir durante la instalación y el mantenimiento del bombas de sumidero.

▲ Este es un símbolo de alerta sobre la seguridad. Cuando vea este símbolo en su bomba o en este manual, busque para ver si hay alguna de las siguientes palabras de señal y esté alerta a la posibilidad de lesiones personales.

▲ PELIGRO indica un riesgo que, de no evitarse, *provocará* la muerte o lesiones de gravedad.

▲ ADVERTENCIA indica un riesgo que, de no evitarse, *podría provocar* la muerte o lesiones de gravedad.

▲ PRECAUCIÓN indica un riesgo que, de no evitarse, *podría provocar* lesiones leves o moderadas.

AVISO hace referencia a una práctica no relacionada con una lesión física.

Lea y siga cuidadosamente todas las instrucciones de seguridad en este manual y en la bomba.

Mantenga las etiquetas de seguridad en buenas condiciones. Reemplace las etiquetas de seguridad faltantes o dañadas.

Advertencia de la Proposición 65 de California

▲ ADVERTENCIA Este producto y accesorios relacionados contienen sustancias químicas reconocidas en el Estado de California como causantes de cáncer, malformaciones congénitas y otros daños al sistema reproductivo.

1. Lea cuidadosamente estas reglas e instrucciones. Su omisión podría provocar graves lesiones y/o daños materiales.
2. Verifique los códigos del lugar de la instalación antes de realizarla. Debe usted respetar estas normas.
3. Instale un sistema de ventilación en el tanque de aguas cloacales o en el tanque séptico de acuerdo con los códigos locales.
4. No instale la bomba en ningún lugar que el Código Nacional de Electricidad, ANSI/NFPA 70-1990, clasifique como peligroso.

▲ ADVERTENCIA **Riesgo de choque eléctrico.** Puede provocar choque, quemadura o muerte.

- No levante la bomba por el cordón. Ver *Advertencia de no levantar la bomba por el cordón.*
 - Durante el funcionamiento la bomba está sumergida en agua; para evitar descargas fatales proceda del siguiente modo si es necesario prestar servicio a la bomba:
- 5A. Corte la corriente eléctrica en la caja de conexiones antes de desconectar el enchufe de la bomba.
 - 5B. Proceda con sumo cuidado al cambiar los fusibles. No trabaje con los pies en el agua ni introduzca sus dedos en el zócalo del fusible.

- 5C. No modifique el cable y el enchufe. Si usa cable con enchufe utilice sólo una toma con conexión a masa. Si conecta a un sistema de control, ponga a tierra el cable conector de tierra de la bomba.
6. No haga funcionar la bomba en seco. El funcionamiento en seco sobrecalienta la bomba (puede causar quemaduras a quien la manipule). El sobrecalentamiento invalida la garantía.
7. Las bombas funcionan normalmente en caliente. Para evitar quemaduras al prestar servicios a la bomba déjela enfriar 20 minutos después de desconectarla y antes de manipularla.
8. En servicio normal, no es necesario aceitar el motor. El motor ha sido lubricado en fábrica con aceite especial. Al hacer una reparación, reemplace este aceite por aceite nuevo.

Instalación

AVISO Instale la bomba sobre una superficie dura y nivelada (de cemento, asfalto, etc.) Jamás instale la bomba directamente sobre superficies de tierra, arcilla o grava.

Tubería – efluentes (Sólidos de 3/4 de pulgada o menos)

La tubería debe medir un mínimo de 1 - 1/2 pulgadas para transportar el volumen de descarga de la bomba. Compruebe los códigos locales para determinar si su sistema requiere una válvula de retención. En climas fríos, las válvulas de retención no se utilizan para evitar la congelación del efluente en la tubería.

Si utiliza una bomba de sumidero, se recomienda el uso de una válvula de retención.

Tubería – residuos cloacales (Sólidos de 2 pulgadas o menos)

En todos los casos el diámetro de la tubería debe ser inferior al de la descarga de la bomba. Cuando se instale en un sistema cloacal, la tubería debe ser capaz de conducir semisólidos de por lo menos 2 pulg. (5,1 cm) de diámetro.

La velocidad del flujo en la tubería de descarga debe poder mantener los sólidos en suspensión en el líquido. Para mantener el caudal mínimo necesario (velocidad de 2 pies o 0,6 m por segundo en el caño de descarga) el tamaño del tubo debe ajustarse a los valores de la siguiente tabla:

Un tubo de un diámetro de:	Admite un caudal de:
3,8 cm (1-1/2")	45 LPM (12 GPM)
5,1 cm (2")	79 LPM (21 GPM)
6,3 cm (2-1/2")	113 LPM (30 GPM)
7,6 cm (3")	181 LPM (48 GPM)

Rendimiento

Modelos	(LPH - Litros Por Hora) Por Total de Pies (M)				
	1,5m	3m	4,6	6,1	7,6
FPSE2800A	12 038	10 221	7 949	5 678	2 839
FPSE3200A	13 763	9 653	3 634	0	-

Use una válvula de retención de charnela de 2 pulgadas en la descarga de la bomba para impedir el retorno del líquido al sumidero. La válvula de retención debe ser de flujo libre para permitir que los sólidos pasen con facilidad.

AVISO Para un mejor funcionamiento de la válvula de retención cuando maneja sólidos, no la instale con la descarga a un ángulo superior a 45 grados sobre la horizontal. No instale la válvula de retención en posición vertical, ya que los sólidos pueden depositarse en la válvula e impedir su apertura en la puesta en marcha.

Perfore un agujero de 3/16 pulgadas (4,7 mm) en el tubo de descarga a una distancia de 1 a 2 pulgadas (2,5 a 5,1 cm) por encima de la conexión de descarga de la bomba (pero por debajo de la válvula de retención) para impedir el bloqueo por aire de la bomba.

Instalación eléctrica

⚠ ADVERTENCIA Riesgo de choque eléctrico. Puede provocar choque, quemadura o muerte. Al instalar, operar o prestar servicios a esta bomba, respete las instrucciones de seguridad enumeradas a continuación:

- Paso 1. NO utilice cable con empalmes para la alimentación eléctrica.
- Paso 2. NO permita que el enchufe del cordón eléctrico quede sumergido.
- Paso 3. NO use cables de prolongación. Presentan riesgo de incendio y pueden reducir el voltaje lo suficiente como para impedir el bombeo, dañar el motor o ambas cosas.
- Paso 4. NO manipule o preste servicios a la bomba mientras esté conectada a la corriente eléctrica.
- Paso 5. NO saque la clavija (ficha) de puesta a tierra ni modifique el enchufe. Para protección contra la descarga eléctrica el cable de alimentación está constituido por un conductor de tres alambres y termina en un enchufe de tres pernos con puesta a tierra. Enchufe la bomba en un receptáculo de toma de tres alambres del tipo de puesta a tierra, con la tierra conectada. Conecte la bomba respetando los códigos de electricidad que corresponda.

Para el funcionamiento automático, enchufe o conecte la bomba a un interruptor automático de flotante o a un controlador la bomba. Si la bomba se conecta directamente a una toma eléctrica, funcionará en forma continua. La bomba debe conectarse a su propio un ramal individual y no deben colocarse otras tomas o equipo en ese circuito. Los fusibles o disyuntores de circuito deben tener la capacidad que se indica en el cuadro que figura más abajo.

⚠ ADVERTENCIA Riesgo de choque eléctrico. Puede provocar choque, quemadura o muerte. Asegúrese de que la información sobre la corriente eléctrica (voltaje, frecuencia y número de fases) inscrita en la chapa del motor de la bomba corresponde exactamente a la de la corriente eléctrica utilizada. Instale la bomba en conformidad con todos los códigos de electricidad que corresponda.

Operación

AVISO No permita que la bomba funcione en un sumidero seco. Si lo hace, invalidará la garantía y podrá dañar la bomba.

El uso de un protector automático de sobrecarga en el motor lo protegerá contra el sobrecalentamiento o la sobrecarga e impedirá que éste se queme. Cuando el motor se enfría el protector de sobrecarga se reconecta automáticamente y permite el arranque del motor.

Si el protector de sobrecarga funciona con excesiva frecuencia, investigue los motivos. La sobrecarga podría deberse a un rodete trabado, al uso de voltaje erróneo o reducido o a una falla eléctrica en el motor. Si se sospecha que el motor tiene una falla eléctrica, hágalo revisar por personal de servicio competente.

La bomba está lubricada permanentemente y no requiere ser aceiteada o engrasada.

Generalidades

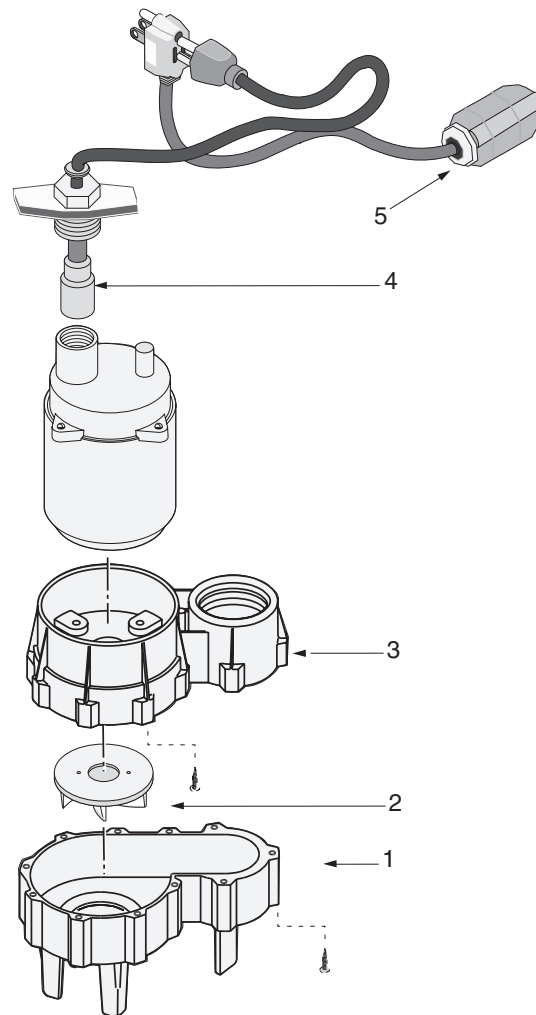
⚠ ADVERTENCIA Riesgo de choque eléctrico. Puede provocar choque, quemadura o muerte.

- Antes de retirar la bomba del sumidero para prestarle servicio, desconecte la corriente eléctrica a la bomba y al interruptor de control.
- No levante la bomba por el cordón. Ver *Advertencia de no levantar la bomba por el cordón.*

Sumerja la bomba en una solución desinfectante de agua clorada (agua lavandina, agua de Javel, etc.) por lo menos durante una hora antes de desarmar la bomba. El motor de la bomba contiene un aceite lubricante especial que debe mantenerse limpio y libre de agua.

Información sobre fusibles

Modelo	HP	Voltaje	Requiere un ramal individual (amperios)	Amperios con fusibles de dos telementos y retardo de tiempo
2800A	1/3	115	15	10
3200A	4/10			



Réf	Descripción	Cant.	FPSE2800A	FPSE3200A
1	Voluta inferior	1	PW1-12P	PW1-11P
2	Rodete	1	PW5-13	PW5-15P
3	Voluta superior	1	PW1-10P	PW1-10P
4	Cable de alimentación	1	PS117-51-TSE	PS117-53-TSE
5	Interruptor automático de flotador	1	PS17-92	FP18-15BD

Si el motor falla, reemplace la bomba.


⚠ ADVERTENCIA **Riesgo de arranques repentinos.** Puede provocar choque eléctrico y lesiones personales. Si la corriente a la bomba está conectada cuando se repone el protector térmico de sobrecarga, la bomba podrá arrancar inesperadamente. Si usted

está trabajando en la bomba podrá recibir una descarga eléctrica o el rodete podrá lastimar sus dedos o trabar sus herramientas. Desconecte la corriente antes de prestar servicio a la bomba.



La bomba no funciona:	Verifique que el cable de alimentación esté enchufado correctamente en el receptáculo. Antes de manipular la bomba o el motor, desconecte la energía eléctrica.
	Asegúrese de que haya corriente eléctrica.
	Verifique que el nivel de líquido sea lo suficientemente elevado para activar el interruptor o el control.
	Verifique que el agujero de 3/16 pulgadas (4,17 mm) en el caño de descarga no esté tapado.
	Verifique que la entrada de la bomba, el rodete, la válvula de retención o el caño de descarga no estén bloqueados.
	Es posible que the protector térmico de sobrecarga haya accionado. Haga arrancar la bomba; si arranca y se detiene de inmediato desconecte la bomba de la corriente eléctrica por 30 minutos para permitir que el motor se enfríe; luego vuelva a conectarla a la corriente eléctrica. Investigue la causa del sobrecalentamiento o sobrecarga.
La bomba no vacía el sumidero	Asegúrese de que todas las válvulas en la tubería de descarga estén totalmente abiertas.
	Limpie el caño de descarga y verifique la válvula.
	Verifique que la entrada de la bomba o el rodete no estén bloqueados.
	Quizás la bomba no tenga el tamaño correcto y es posible que se requiera una bomba de mayor capacidad.
La bomba no se apaga	Verifique que los flotantes del interruptor o el control automático funcionen correctamente y tengan la ubicación adecuada. Consulte las instrucciones de instalación del interruptor o control automático.
	Si la bomba no funciona en absoluto o continúa funcionando con fallas, consulte al personal de servicio de su localidad.

Advertencia sobre el levantamiento por medio del cordón

⚠ ADVERTENCIA



Riesgo de choque eléctrico.
Puede provocar choque, quemadura o muerte.
No levante la bomba por medio del cordón eléctrico.

1. Se puede dañar el cordón y sus conexiones si se trata de levantar o de sostener la bomba por medio del cordón eléctrico.
2. El cordón se puede abrir, dejando los hilos expuestos y creando la posibilidad de incendio o de choque eléctrico.
3. Si la bomba se levanta o se sostiene por medio del cordón eléctrico, la garantía quedará anulada.
4. Use el aro o mango que se encuentra en la parte superior de la bomba para levantar o bajar la bomba. Desconecte la corriente eléctrica a la bomba antes de realizar trabajos en la misma o de tratar de sacar la bomba del sumidero.

Retener el recibo original a fin de determinar la elegibilidad para la garantía

Garantía limitada

Esta Garantía Limitada entra en vigor el 1 de junio de 2011 y sustituye toda garantía sin fecha o garantía con fecha anterior al 1 de junio de 2011. FLOTEC le garantiza al comprador consumidor original (el "Comprador" o "Usted") de sus productos, que éstos estarán libres de defectos en materiales y en mano de obra por un período de doce (12) meses, a partir de la fecha de la compra original del consumidor. Si dentro de los doce (12) meses a partir de la fecha de la compra inicial del consumidor, Será reparado o reemplazado a opción de la FLOTEC, sujeto a los términos y condiciones establecidos en la presente. Tome nota de que esta garantía limitada cubre defectos de manufactura solamente y no el desgaste común. Todos los aparatos mecánicos periódicamente necesitan repuestos y servicio para un funcionamiento correcto. Esta garantía limitada no cubre las reparaciones que se realicen cuando el uso normal haya agotado la vida útil de una pieza o del aparato.

Es necesario retener el recibo de compra original y la etiqueta de información de la garantía a fin de determinar la elegibilidad para la garantía. La elegibilidad se basa en la fecha de compra del producto original - no en la fecha del reemplazo bajo la garantía. La garantía es limitada y cubre solamente la reparación o el reemplazo del producto original adquirido, no del producto reemplazado (es decir que se permite un reemplazo por compra bajo la garantía). El comprador pagará todos los costos de remoción, instalación, mano de obra y envío necesarios, así como todo costo adicional asociado.

Si necesita piezas o resolución de problemas, NO regrese el producto a la tienda minorista. Llame el Servicio a la Clientela de FLOTEC al 800-365-6832.

Las reclamaciones hechas bajo esta garantía se realizarán mediante la devolución del producto (a excepción de las bombas cloacales - ver a continuación) al concesionario de venta al público en donde se haya adquirido o a la fábrica, inmediatamente después de haber descubierto cualquier presunto defecto. FLOTEC entonces tomará la medida correctiva tan pronto como sea razonablemente posible. No se aceptarán solicitudes de servicio, si se reciben más de 30 días después del vencimiento de esta garantía.

La garantía no es transferible y no cubre productos utilizados en aplicaciones comerciales o de alquiler.

Bombas cloacales

NO devuelva una bomba cloacal (que se haya instalado) a su tienda minorista. Comuníquese con el Departamento de Atención al Cliente de FLOTEC. Las bombas cloacales que hayan estado en servicio y se hayan removido pueden representar un peligro de contaminación.

Si su bomba cloacal ha fallado:

- Use guantes de caucho cuando manipule la bomba;
- Para los fines de la garantía, devuelva la etiqueta del cordón de la bomba y el recibo de compra original a la tienda minorista;
- Descarte la bomba cumpliendo con todas las normas locales que correspondan para su eliminación.

Excepciones para la Garantía limitada de Doce (12) Meses

Producto	Período de garantía
FP0F360AC, FP0FDC	90 días
FP0S1775A, FP0S1790PCA, FP0S2400A, FP0S2450A, FP0S4100X, FP2800DCC, FP2C-20ULST, FPPSS3000, FPSC2150A, FPSC3150A, FPSC3350A	2 años
Bombas de pozo sumergibles de 4", FP0S3200A, FP0S3250A, FP0S6000A, FPSC1725X, FPSC2200A, FPSC2250A, FPSE3601A, FPPSS5000	3 años
Tanque precargado del sistema de agua (Serie FP7100), E100ELT, E3305TLT, E3375TLT, E5005TLTT, E50TLT, E50VLT, E75STVT, E75VLT, FPSC3200A, FPSC3250A, FPSC4550A	5 años

Términos y condiciones generales; Limitación de recursos

Usted deberá pagar por todos los gastos de mano de obra y de envío necesarios para reemplazar el producto cubierto por esta garantía. Esta garantía no se aplicará en las siguientes situaciones: (1) caso de fuerza mayor (2) productos que, a sólo juicio de FLOTEC hayan sido sometidos a negligencia, abuso, accidente, mala aplicación, manejo indebido o alteraciones; (3) fallas debido a instalación, operación, mantenimiento o almacenamiento inadecuados; (4) aplicaciones, usos o servicios que no sean normales o aprobados; (5) fallas provocadas por corrosión, herrumbre u otros materiales extraños en el sistema, o una operación a presiones que excedan los máximos recomendados.

Esta garantía establece la única obligación de FLOTEC y el recurso exclusivo del Comprador con respecto a los productos defectuosos. FLOTEC NO SE HARÁ RESPONSABLE DE NINGÚN DAÑO—O CONSECUENTE, INCIDENTAL O CONTINGENTE.

LAS GARANTÍAS LIMITADAS QUE ANTECEDEN SON EXCLUSIVAS Y EN LUGAR DE TODA OTRA GARANTÍA EXPLÍCITA E IMPLÍCITA, INCLUYENDO, PERO SIN LIMITARSE A LAS GARANTÍAS IMPLÍCITAS DE COMERCIALIZACIÓN E IDONEIDAD PARA UN FIN ESPECÍFICO. LAS GARANTÍAS LIMITADAS QUE ANTECEDEN NO SE EXTENDERÁN MÁS ALLÁ DEL PERÍODO DE DURACIÓN INDICADO EN LA PRESENTE.

Algunos Estados no permiten la exclusión o limitación de daños incidentales o consecuentes o de limitaciones de tiempo sobre garantías implícitas, de modo que es posible que las limitaciones o exclusiones que preceden no correspondan en su caso. Esta garantía le otorga derechos legales específicos y es posible que Usted también tenga otros derechos que pueden variar de un Estado al otro.

**FLOTEC • 293 Wright Street • Delavan, WI 53115 U.S.A.
Teléfono: 800-365-6832 • Fax: 800-526-3757 • www.flotecwater.com**