

HEAVY DUTY CAST IRON SUBMERSIBLE SUMP PUMPS

MSCI SERIES

APPLICATIONS

Basement sumps and dewatering.

FEATURES

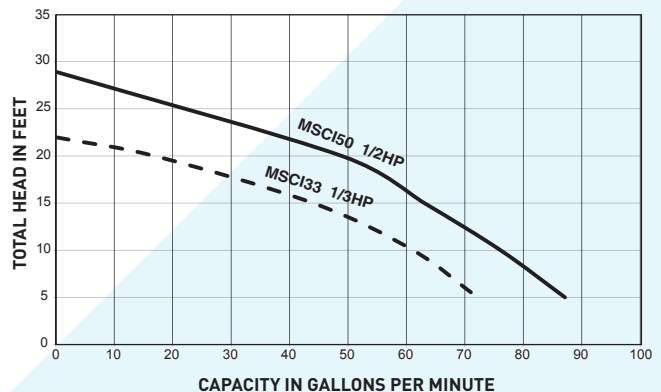
- ◆ Performance where it counts with 60 GPM at 10' for 1/3HP or 76 GPM at 10' for 1/2HP.
- ◆ Heavy-duty cast iron construction.
- ◆ Upper and lower double lip seals deliver smoother operation.
- ◆ Dual ball bearings.
- ◆ Permanent split capacitor (PSC) motor promotes less energy consumption and longer life.
- ◆ Multiple automatic switch options.
- ◆ Raised inlet to reduce the maintenance time.



SPECIFICATIONS

- ◆ **Capacities:** MSCI33 = 72 GPM (272 LPM); MSCI50 = 87 GPM (329 LPM)
- ◆ **Shut-Off Head:** MSCI33 = 22' (6.70 m); MSCI50 = 29' (8.84 m)
- ◆ **Operation:** Tethered: On = 13-1/2" (43 mm); Tethered: Off = 4-1/2" (114 mm). Vertical: On = 7-1/2" (190.5 mm); Vertical: Off = 3" (76 mm). Diaphragm: On = 9" (228.6 mm); Diaphragm: Off = 4-1/2" (114 mm)
- ◆ **Solids Handling:** 3/8" (9.6 mm)
- ◆ **Intermittent Liquid Temp:** 32°F to 70°F (0°C-21°C)
- ◆ **Motor:** PSC motor
- ◆ **Electrical Data:** 115V, 60 HZ., 15 Amp Circuit
- ◆ **Individual Branch Circuit Required (min.):** 15 Amps
- ◆ **Acceptable pH Range:** 6-9
- ◆ **Shaft Seal Type:** 2x double lip
- ◆ **Motor Housing:** Cast iron
- ◆ **Volute Case:** Cast iron
- ◆ **Impeller:** Recessed vortex impeller
- ◆ **Power Cord:** 10' 18/3 (3.05 m) SJTW optional cord lengths are available
- ◆ **Discharge NPT:** 1-1/2"
- ◆ **Min. Sump Dia.:** 10" (254 mm)

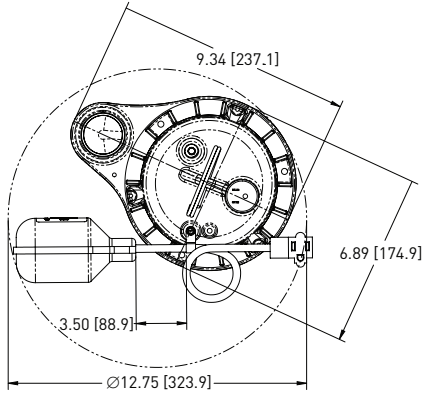
PERFORMANCE



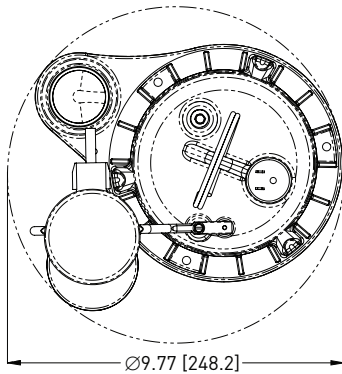
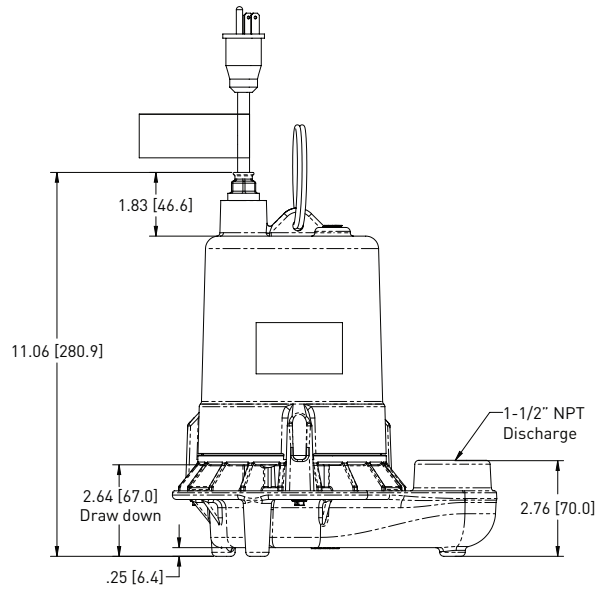
Tested & Certified to UL778 and CSA 108.
3 Year Warranty

HEAVY DUTY CAST IRON SUBMERSIBLE SUMP PUMPS | MSC1 SERIES

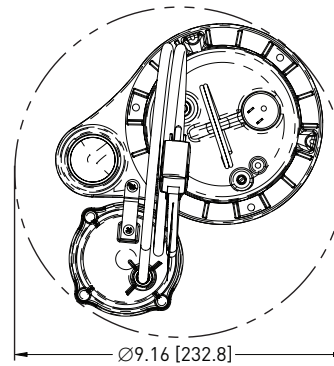
DIMENSIONS



Tethered Automatic



Vertical Automatic



Diaphragm Automatic

ORDERING INFORMATION

MODEL NUMBER	HP	MAX CAPACITY	MAX HEAD	DISCHARGE NPT	SOLIDS HANDLING	VOLTS	FULL LOAD AMPS	PHASE	CORD LENGTH	SWITCH
MSCI33T10	1/3	71	22	1-1/2"	3/8"	115	6.9	1	10'	PT
MSCI33V10	1/3	71	22	1-1/2"	3/8"	115	6.9	1	10'	PV
MSCI33D10	1/3	71	22	1-1/2"	3/8"	115	6.9	1	10'	PD
MSCI50D10	1/2	87	29	1-1/2"	3/8"	115	7.7	1	10'	PD
MSCI50T10	1/2	87	29	1-1/2"	3/8"	115	7.7	1	10'	PT
MSCI50T20	1/2	87	29	1-1/2"	3/8"	115	7.7	1	20'	PT
MSCI50V10	1/2	87	29	1-1/2"	3/8"	115	7.7	1	10'	PV
MSCI50T10	1/2	87	29	1-1/2"	3/8"	115	7.7	1	10'	PT
MSCI50D10	1/2	87	29	1-1/2"	3/8"	115	7.7	1	10'	PD



293 Wright St
Delavan, WI 53115
Ph: 888.987.8677
Fx: 800.426.9446

490 Pinebush Rd., Unit 4
Cambridge, Ontario N1T 0A5, Canada
Ph: 800.363.7867
Fx: 888.606.5484

pentair.com

All indicated Pentair trademarks and logos are property of Pentair. Third party registered and unregistered trademarks and logos are the property of their respective owners. Because we are continuously improving our products and services, Pentair reserves the right to change specifications without prior notice. Pentair is an equal opportunity employer.

©2023 Pentair. All Rights Reserved.

M11788SSE (10-01-23)