

MYERS® M118A

The Myers M118A pre-packaged systems is a convenient and reliable design for many applications. With the pump, basin, schedule 40 PVC discharge pipe and check valve being assembled at the factory, you can quickly and easily install this packaged system. The high performance 1/3 HP sump pump will quickly remove water from the 10 gallon polyethylene basin leaving you worry free.



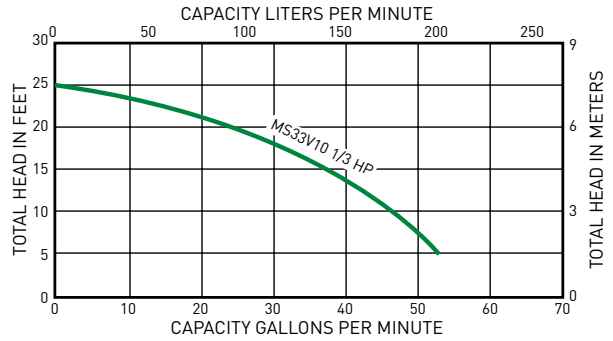
APPLICATIONS

Above-floor sump pump system. Ideal for wet bars, air conditioner/humidifier condensate and laundry trays

SPECIFICATIONS

Max Capacity	53 GPM (200 LPM)
Max Shut-off Head	25' (7.6 m)
Solids Handling	1/4" (6.4 mm)
Liquids Handling	Drain water
Intermittent Liquid Temperature	up to 140°F (60°C)
Discharge, NPT	1-1/2" (38.1 mm)
Motor/Electrical Data	3000 RPM, 115V, 1Ø, 60 Hz
Full Load Amps	3.9
Phase	Single
Cord Length	10' (3.1 m)
Switch Type	Piggy-back vertical
Switch Operation	On - 7.5" (191 mm) Off - 3" (76 mm)
Basin Capacity	10 Gallons (37.8 Liters)
Basin Dimensions	17" W x 11" H x 14" H (432 mm x 279 mm x 356 mm)
Basin Material	Polyethylene
Pump Housing	Zinc
Pump Volute	Cast Iron

PUMP PERFORMANCE



FEATURES

- Convenient Packaging**
 Allows you to add a drain without breaking concrete
- Durable and Reliable**
 Durable zinc & cast iron pump construction along with the thick polyethylene basin creates a combination of materials you can rely on
- High Performance & Efficiency**
 Smooth flow pump technology provides high output. The PSC motor reduces energy consumption and provides a longer life

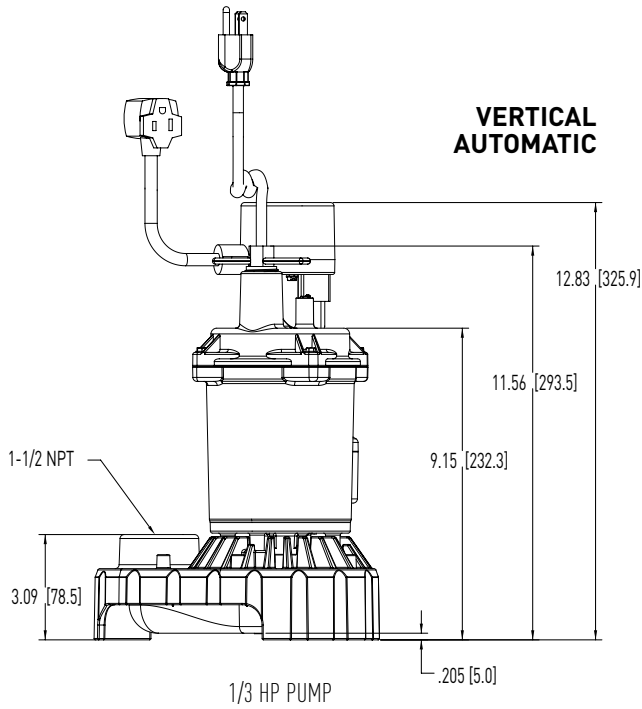
ORDERING INFORMATION

Catalog Number	HP	Volts	Phases/Cycles	Amps	Discharge Size	Switch Type	Cord Length	Approx. Wt. Lbs.
M118A	1/3	115	1/60	3.9	1-1/2"	Vertical Automatic*	10'	32

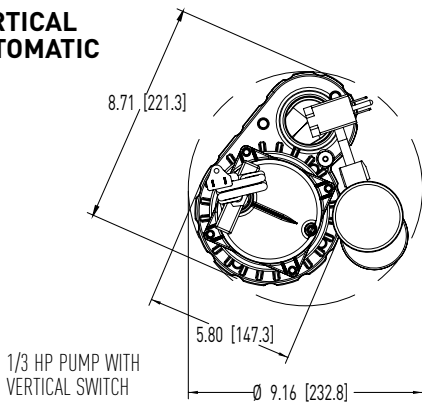
*Indicates a piggy-back float switch

MYERS® M118A

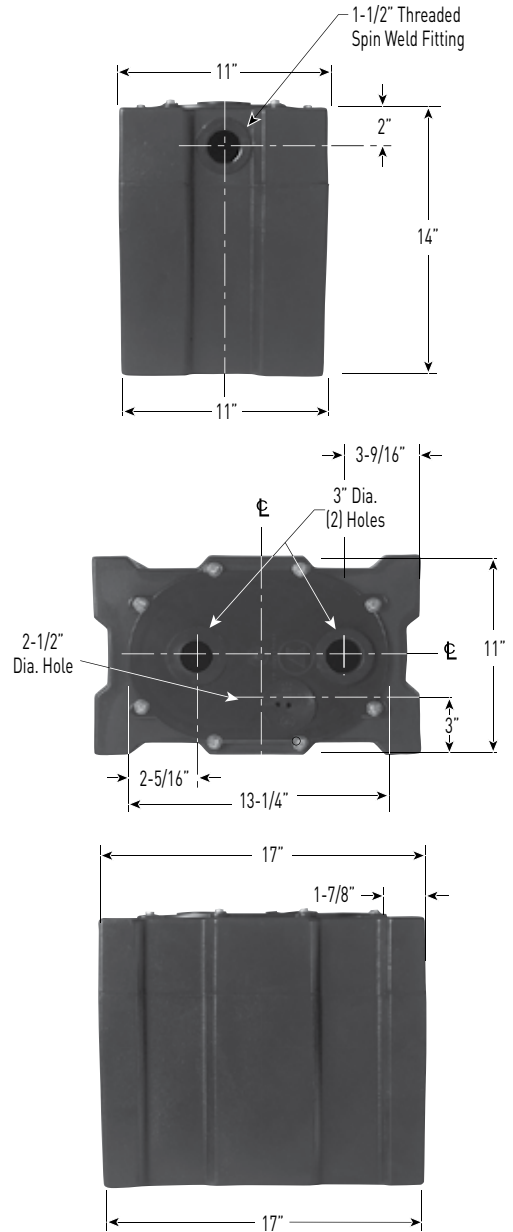
DIMENSIONS OF PUMP



VERTICAL AUTOMATIC



DIMENSIONS OF BASIN



All dimensions in inches. Component dimensions may vary ± 1/8 inch. Dimensional data not for construction purpose unless certified. Dimensions and weights are approximate. On/Off level adjustable.



USA
293 WRIGHT STREET, DELAVAN, WI 53115 WWW.FEMYERS.COM
PH: 888-987-8677 ORDERS FAX: 800-426-9446

CANADA
490 PINEBUSH ROAD, UNIT 4, CAMBRIDGE, ONTARIO, N1T 0A5
PH: 800-363-7867 FAX # 888-606-5484

Because we are continuously improving our products and services, Pentair reserves the right to change specifications without prior notice.