

MYERS® SSM331 SERIES

DISCONTINUED. FOR REFERENCE ONLY.

The Myers SSM331 series pumps are engineered for performance in a variety of demanding drainage applications. The heavy-duty cast iron housing and oil-filled motor maximize heat dissipation for trouble-free operation and years of reliable service. Models available with tethered or vertical switch.



APPLICATIONS

Basement sumps, dewatering, light effluent

SPECIFICATIONS

Capacities – 31 GPM (117 LPM)
Shut-off Head – 23' (7 m)
Operation: On – 9.94" (252 mm)
 Off – 4.06" (103 mm)
Solids Handling – 1/2" (12.7 mm)
Liquids Handling – Drainage effluent
Intermittent Liquid Temperature –
 Up to 140°F (60°C)
Motor/Electrical Data – 1/3 HP, shaded pole, 115V, 9A, 1Ø, 60Hz
Acceptable pH Range – 5-9
Shaft Seal – Type 11A, carbon and ceramic
Housing – Heavy cast iron
Power Cord – 10' and 20', 16/3, SJTW, SJTW-A
Discharge, NPT – 1-1/2"
Min. Sump Diameter – 12" (304.8 mm)

FEATURES

Rugged and Reliable

Durable oil-filled motor for continuous bearing lubrication and maximum heat dissipation

Versatile Performance

Designed for demanding drainage applications, light septic tank effluent and basement sump

Heavy-duty Design

Rugged cast iron housing and volute aid in heat dissipation and stand tough in harsh conditions

Choice of Switch Types

Available in manual, tethered automatic*, or vertical automatic*

Ease of Flow

Recessed vortex impeller for free flow-flow passage solids and liquid

Overload Protection

Shaded pole motor eliminates failure-prone starting switches and relays

Heat Safety

Heat sensor protection with automatic reset when motor cools to a safe operating temperature

ORDERING INFORMATION

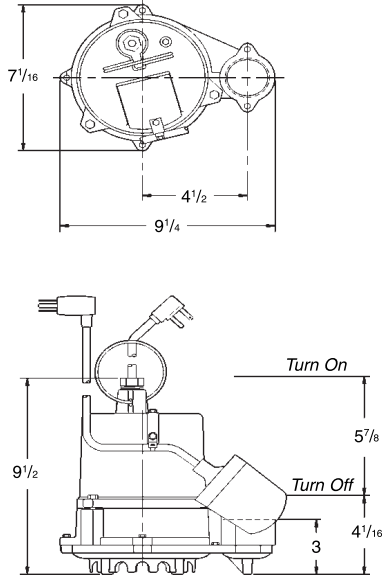
Catalog Number	HP	Volts	Phase/Cycles	Amps	Discharge Size	Switch Type	Cord Length	Approx. Wt. Lbs.
SSM331M1C	1/3	115	1/60	9	1-1/2"	Manual	20'	28
SSM331P-1	1/3	115	1/60	9	1-1/2"	Teth/Auto*	10'	28
SSM331PC-1	1/3	115	1/60	9	1-1/2"	Teth/Auto*	20'	28
SSM331PV1	1/3	115	1/60	9	1-1/2"	Vert/Auto*	10'	28
SSM331PV1C	1/3	115	1/60	9	1-1/2"	Vert/Auto*	20'	28

*Piggyback

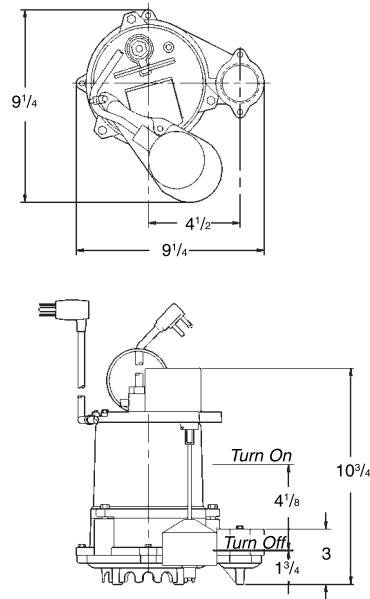
MYERS® SSM331 SERIES

DIMENSIONS

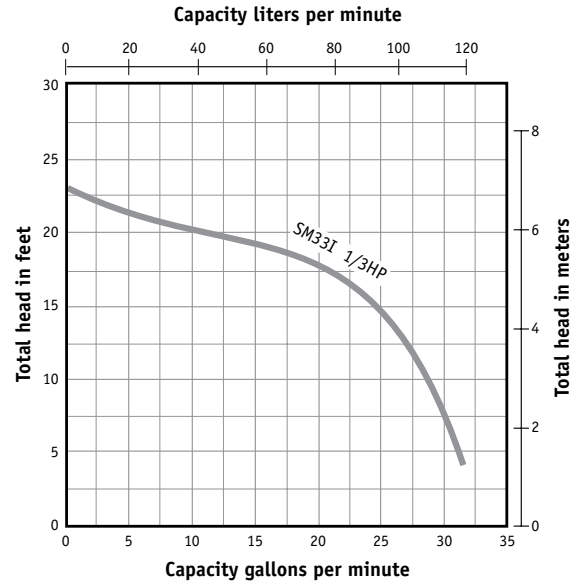
Tethered Automatic



Vertical Automatic



PUMP PERFORMANCE



USA
293 WRIGHT STREET, DELAVAN, WI 53115 WWW.FEMYERS.COM
PH: 888-987-8677 ORDERS FAX: 800-426-9446

CANADA
490 PINEBUSH ROAD, UNIT 4, CAMBRIDGE, ONTARIO N1T 0A5
PH: 800-363-7867 ORDERS FAX: 888-606-5484

Because we are continuously improving our products and services, Pentair reserves the right to change specifications without prior notice.