

# SUBMERSIBLE EFFLUENT PUMP

## ME3 SERIES

The Myers ME3 Series Submersible Effluent Pumps are constructed of the most durable combination of materials to withstand the harshest environments. The ME3 comes with an enclosed impeller for high-flow installations. Available in tethered automatic piggyback models or manual models for use with external controls.

### APPLICATIONS

Effluent removal, sump drainage, water transfer, and flood control.



### FEATURES

- ◆ **Maximum Heat Handling:** Durable, oil-filled motor for continuous bearing lubrication and maximum heat dissipation.
- ◆ **Powerful Starts:** High-torque, no starting switches or relays to wear out.
- ◆ **Thermal Protection:** Heat sensor overload protection with automatic reset when motor cools to a safe operating temperature.
- ◆ **Longer Lasting Motor:** Lower ball bearing eliminates sleeve bearing wear and reduces motor wear.
- ◆ **Manual Operation:** Tethered automatic models can be operated manually by unplugging piggyback switch and plugging pump directly into outlet.

### SPECIFICATIONS

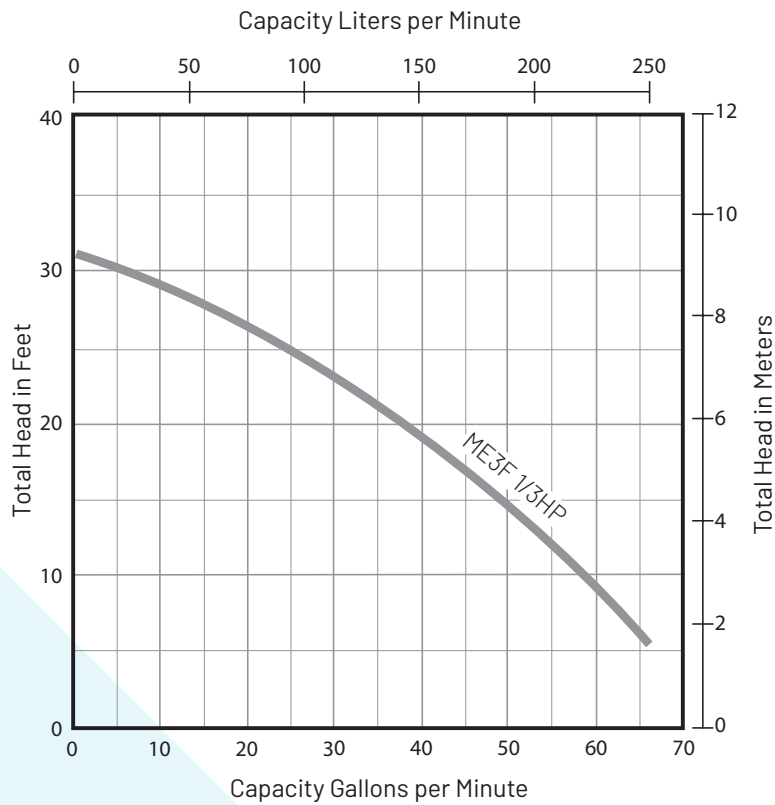
- ◆ **Capacities:** 66 GPM (249 LPM)
- ◆ **Shut-Off Head:** 31' (9.5 m)
- ◆ **Max. Spherical Solids:** 3/4" (19 mm)
- ◆ **Liquids Handling:** Domestic effluent and drain water
- ◆ **Intermittent Liquid Temp.:** Up to 140°F (60°C)
- ◆ **Motor/Electrical Data:** 1/3 HP, 1550 RPM, shaded pole, oil-filled; 115V, 12.5A, 1Ø, 60Hz; 230V, 6.4A, 1Ø, 60Hz
- ◆ **Acceptable pH Range:** 6-9
- ◆ **Specific Gravity:** .9-1.1
- ◆ **Viscosity:** 28-35 SSU
- ◆ **Discharge NPT:** 1-1/2" (50.8 mm)
- ◆ **Housing:** Heavy cast iron
- ◆ **Minimum Sump Diameter:** Simplex: 24" (61.0 cm)  
Duplex: 36" (91.4 cm)
- ◆ **Power Cord:** 20', 16/3, SJTW

**ELECTRICAL DATA**

MODEL#	HP	VOLTS	PHASE	AMPS	DISCHARGE SIZE	SWITCH TYPE	APPROX CORD LENGTH	WT. LBS
ME3F-11	1/3	115	1	12.5	1-1/2"	Manual	20'	37
ME3F-11P	1/3	115	1	12.5	1-1/2"	Automatic*	20'	38
ME3F-21	1/3	230	1	6.4	1-1/2"	Manual	20'	37
ME3F-21P	1/3	230	1	6.4	1-1/2"	Automatic*	20'	38

\*Piggyback

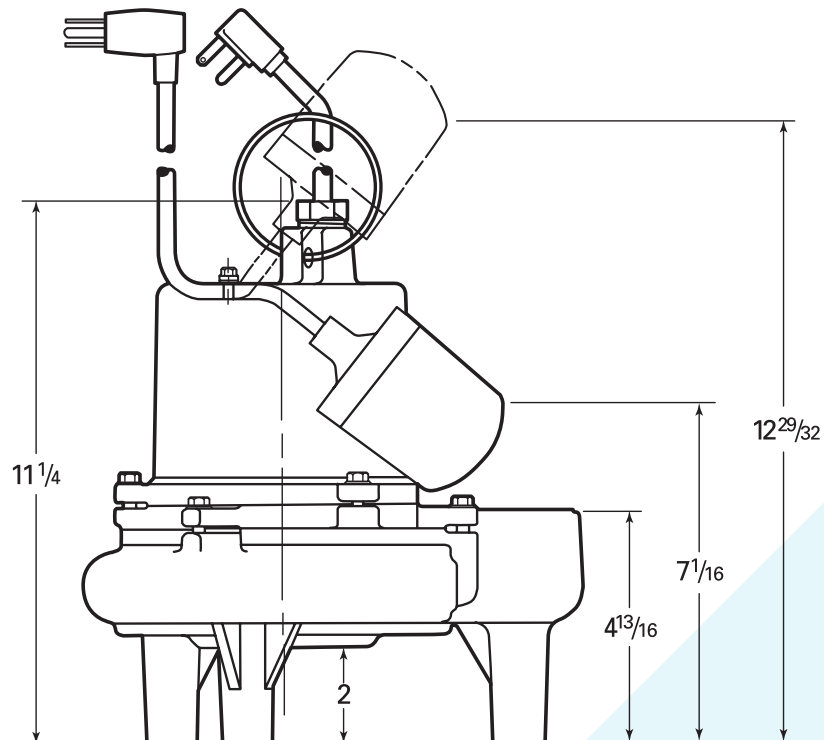
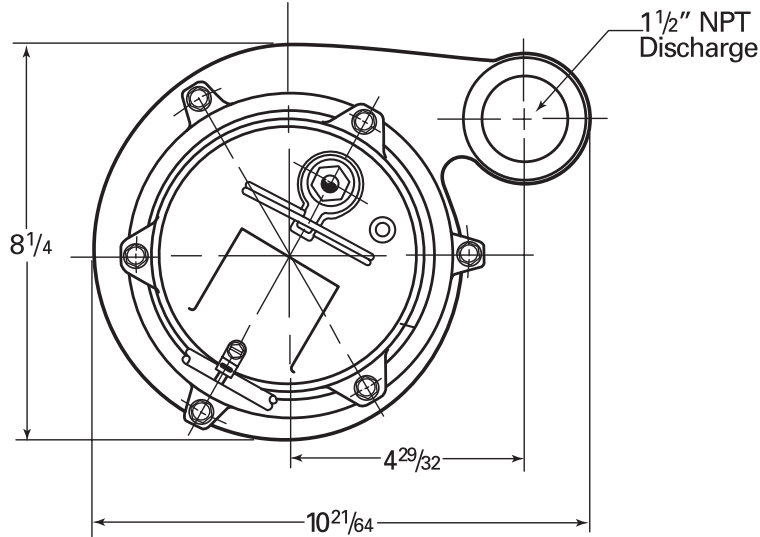
**PERFORMANCE DATA**



## EFFLUENT PUMPS ME3 SERIES

### DIMENSIONAL DATA

Measurements shown in inches.



293 Wright St  
Delavan, WI 53115  
Ph: 888.987.8677  
Fx: 800.426.9446

490 Pinebush Rd, Unit 4  
Cambridge, Ontario N1T 0A5, Canada  
Ph: 800.363.7867  
Fx: 888.606.5484

[pentair.com](http://pentair.com)

All indicated Pentair trademarks and logos are property of Pentair. Third party registered and unregistered trademarks and logos are the property of their respective owners. Because we are continuously improving our products and services, Pentair reserves the right to change specifications without prior notice. Pentair is an equal opportunity employer.

©2023 Pentair. All Rights Reserved.

M9021SSE (08-01-23)