

RESIDENTIAL SEWAGE PUMP

SRM4 SERIES

The Myers SRM4 Series Residential Sewage Pumps are extremely reliable. The specially designed recessed impeller allows 2" solids to easily pass through without jamming. The cast iron housing and volute case handle the harshest conditions and will provide years of service. Automatic and manual operation models available.

APPLICATIONS

Sewage, high-capacity sump, and effluent.



Tested to Standard UL778 and
Certified to CSA Standard
C22.2 No. 108
3 Year Warranty

FEATURES

- ◆ **Versatile Applications:** Effective and efficient performance in septic tank sewage, effluent and high-capacity sump applications.
- ◆ **Handles the Heat:** High-endurance, oil-cooled motor for continuous bearing lubrication and critical heat dissipation.
- ◆ **Motor Protection:** Long-life carbon/ceramic seal provides extra protection against water leaks.
- ◆ **Excess Heat Detection:** Internal heat sensor provides overload protection; automatically resets when motor cools to a safe operating temperature.
- ◆ **Free Flow Design:** Recessed impeller design also improves the free flow of solids up to 2".
- ◆ **Longer Bearing Life:** Recessed impeller reduces radial bearing loads, increasing bearing life.
- ◆ **Automatic and Manual:** Automatic tethered, vertical, or diaphragm switch models (with piggyback plug), or manual operation models.

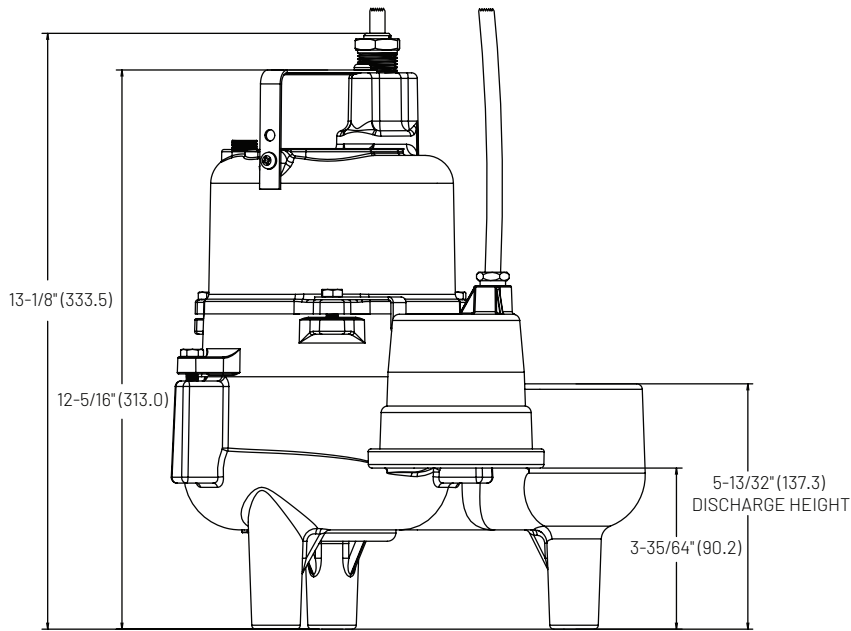
SPECIFICATIONS

- ◆ **Capacities:** 115 gpm (435 lpm)
- ◆ **Shut-Off Head:** 18' (5.4m)
- ◆ **Solids Handling:** 2" (50.8mm)
- ◆ **Liquid Handling:** Septic, effluent, and sewage
- ◆ **Intermittent Liquid Temp.:** Up to 140 F (60C)
- ◆ **Motor/Electrical Data:** 4/10 HP, 115V, 13A, 1, 60Hz; 230V, 6.5 A, 1, 60Hz
- ◆ **Acceptable pH Range:** 5-9
- ◆ **Discharge NPT:** 2"
- ◆ **Housing:** Heavy cast iron
- ◆ **Power Cord:** 10'(3.048M). Optional: 20'(6.096M)
- ◆ **Impeller:** Recessed, thermoplastic
- ◆ **Volute Case:** Cast iron
- ◆ **Shaft Seal:** Type 11A, carbon and ceramic

RESIDENTIAL SEWAGE PUMP SRM4 SERIES

DIMENSIONS

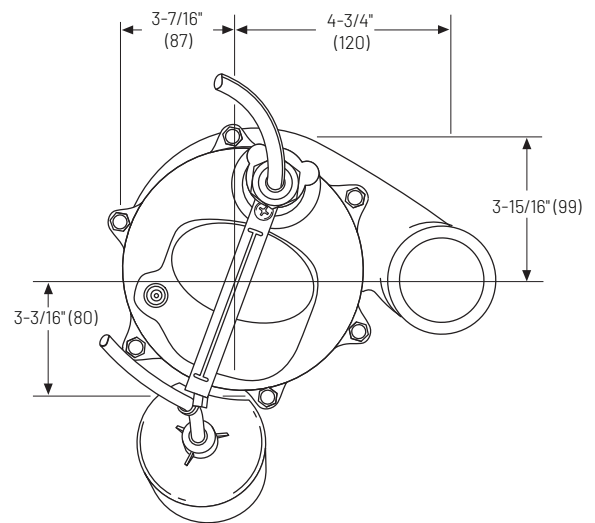
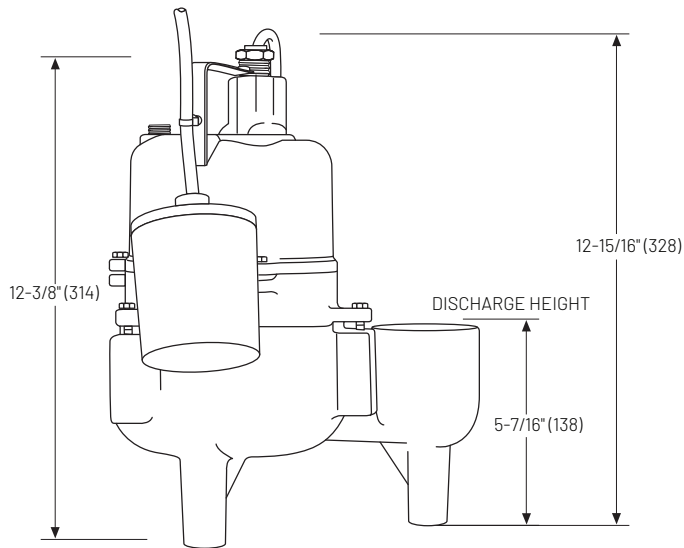
Measurements shown in inches.



Diaphragm Switch:
On = 8-7/8"
Off = 4-1/4"

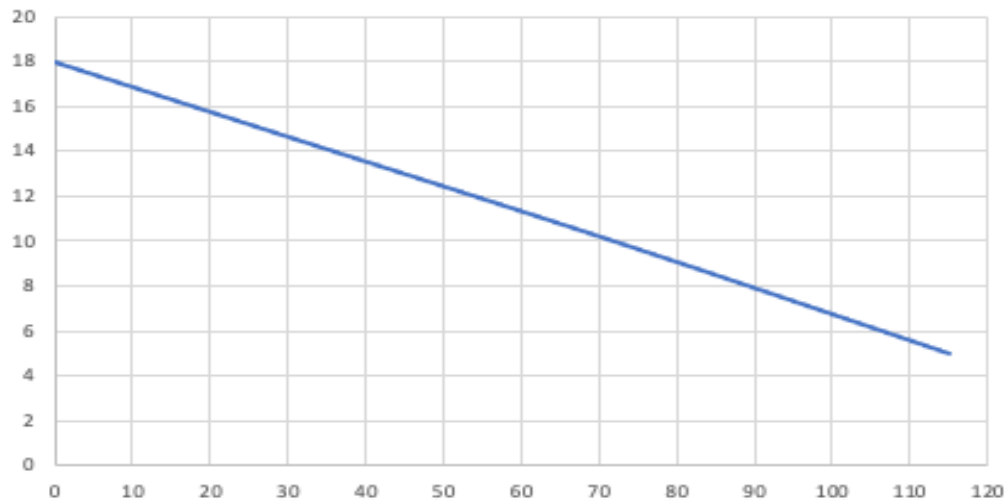
Vertical Switch:
On = 8-15/16"
Off = 4-7/16"

Wide Angle Switch:
On = 12-1/2"
Off = 6-1/2"



RESIDENTIAL SEWAGE PUMP SRM4 SERIES

PUMP PERFORMANCE



ORDERING INFORMATION

CATALOG NUMBER	HP	VOLTS	PHASE	AMPS	DISCHARGE NPT	SWITCH TYPE	CORD LENGTH	APPROX. WT. LBS
SRM4M 20	4/10	115	1	13	2"	Manual	20'	39
SRM4M2 20	4/10	230	1	6.5	2"	Manual	20'	39
SRM4T 30	4/10	115	1	13	2"	Tethered	30'	40
SRM4T 20	4/10	115	1	13	2"	Tethered	20'	40
SRM4T2 20	4/10	230	1	6.5	2"	Tethered	20'	40
SRM4V 20	4/10	115	1	13	2"	Vertical	20'	40



293 Wright St
 Delavan, WI 53115
 Ph: 888.987.8677
 Fx: 800.426.9446

490 Pinebush Rd, Unit 4
 Cambridge, Ontario N1T 0A5, Canada
 Ph: 800.363.7867
 Fx: 888.606.5484

pentair.com

All indicated Pentair trademarks and logos are property of Pentair. Third party registered and unregistered trademarks and logos are the property of their respective owners. Because we are continuously improving our products and services, Pentair reserves the right to change specifications without prior notice. Pentair is an equal opportunity employer.

©2023 Pentair. All Rights Reserved.

M9029SSE (08-01-23)