

# RESIDENTIAL SEWAGE PUMP

## CMV5

The Myers CMV5 sewage pump provides powerful lift in demanding residential installations. This economical pump features a combination of cast iron and thermoplastic construction for outstanding corrosion resistance. Solids up to 2" in diameter easily pass through the specially designed recessed vortex impeller.

### APPLICATIONS

Residential sewage, high-capacity sump, and effluent.



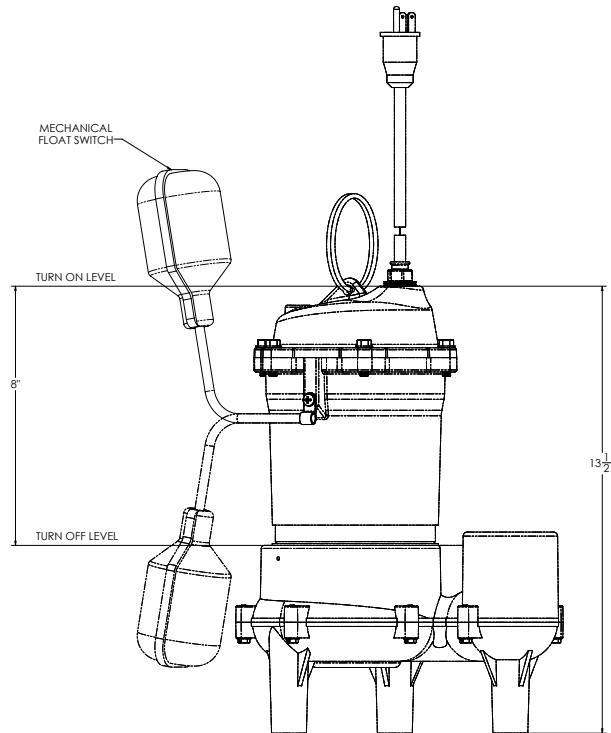
### FEATURES

- **STRONGER STARTS**  
High-torque, permanent split capacitor (PSC) motor - no relays or starting switches to wear out.
- **HANDLES THE HEAT**  
High-endurance, oil-cooled motor for continuous bearing lubrication and critical heat dissipation.
- **THERMAL OVERLOAD**  
Heat sensor overload protection with automatic reset when motor cools to a safe operating temperature.
- **VERSATILE APPLICATIONS**  
Effective and efficient performance in septic tank sewage, effluent, and high capacity sump applications.
- **LONGER BEARING LIFE**  
Recessed impeller reduces radial bearing loads, increasing bearing life.
- **FREE-FLOW DESIGN**  
Recessed impeller design also improves the free flow of solids up to 2".

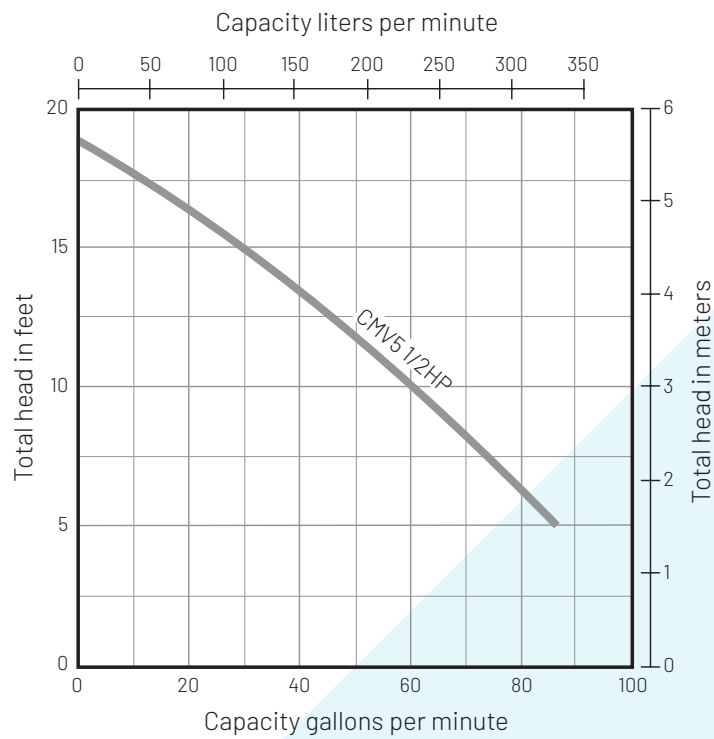
## SPECIFICATIONS & PERFORMANCE

<b>CAPACITIES</b>	87 GPM (329 LPM)
<b>SHUT-OFF HEAD</b>	19' (5.8 m)
<b>SOLIDS HANDLING</b>	2" (50.8 mm)
<b>LIQUIDS HANDLING</b>	Raw sewage, effluent and drain water
<b>INTERMITTENT LIQUID TEMPERATURE</b>	Up to 140°F (60°C)
<b>MOTOR/ELECTRICAL DATA</b>	1/2 HP, permanent split capacitor type, 1625 RPM, 115V, 12A, 1Ø, 60Hz
<b>ACCEPTABLE PH RANGE</b>	6-9
<b>DISCHARGE, NPT</b>	2"
<b>MOTOR HOUSING</b>	Cast iron
<b>POWER CORD</b>	20' (6.1m)', 16/3, SJTW
<b>IMPELLER</b>	Recessed, thermoplastic
<b>VOLUTE CASE</b>	Thermoplastic
<b>SHAFT SEAL</b>	Type 11A, carbon and ceramic
<b>MINIMUM BASIN DIAMETER</b>	Simplex: 18" (457 mm) Duplex: 30" (762 mm)

**DIMENSIONAL DATA**



**PUMP PERFORMANCE**



## ORDERING INFORMATION

CATALOG NUMBER	HP	VOLTS	PHASE/ CYCLES	AMPS	DISCHARGE SIZE NPT	SWITCH TYPE	CORD LENGTH	APPROX. WT. LBS
CMV5A-11	1/2	115	1/60	12	2"	Automatic	20'	50
CMV5M-11	1/2	115	1/60	12	2"	Manual	20'	50



293 Wright Street,  
Delavan, WI 53115  
USA  
Phone: 888.782.7483  
Orders Fax: 800.426.9446

490 Pinebush Road  
Unit 4  
Cambridge, Ontario N1T 0A5  
Canada  
Phone: 800.363.7867  
Orders Fax: 888.606.5484

for more info, visit [pentair.com](http://pentair.com)

