

RESIDENTIAL AND LIGHT COMMERCIAL SEWAGE PUMP

MW50 SERIES

The Myers MW50 Series Sewage Pumps are constructed of the most durable combination of materials in order to withstand the harshest sewage environments. The non-clog impeller can pass up to 2" solids and provides the flow and head required residential and light commercial applications. Models are available for manual operation with external controls, or as automatic operation with tethered, piggyback mechanical float switch.

APPLICATIONS

Residential high-capacity sewage pump.



Tested & Certified to UL778 and CSA 108.

FEATURES

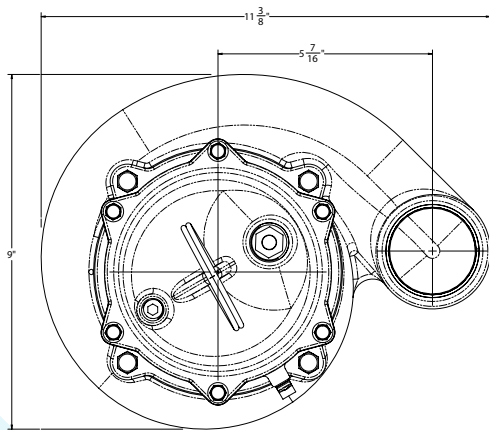
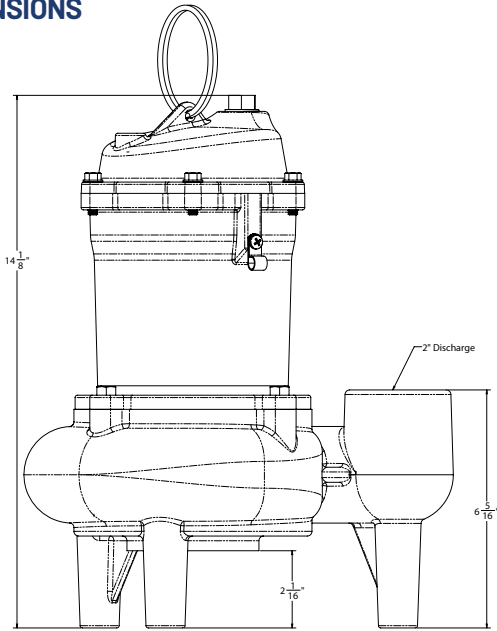
- ◆ **Two-Vane Impeller:** The engineered thermoplastic composition two-vane impeller provides maximum efficiency and eliminates jamming between impeller and volute.
- ◆ **Restore Performance:** Original performance standards restored by easily replacing a worn volute seal ring.
- ◆ **High Capacity Handling:** Passes full 2" solids.
- ◆ **Cool Running:** Durable, oil-filled motor for continuous bearing lubrication and maximum heat dissipation.
- ◆ **Powerful Starts:** High-torque, permanent split capacitor (PSC) motor. No starting switches or relays to wear out.
- ◆ **Protects Against High Heat:** Low amp draw from the efficient PSC motor means less heat build-up.
- ◆ **Longer Lasting Motor:** Lower ball bearing eliminates sleeve bearing wear and reduces motor wear.
- ◆ **Improved Sealing:** Long, flexible Type 6 seal provides high pressure sealing with improved seal face protection by location.

SPECIFICATIONS

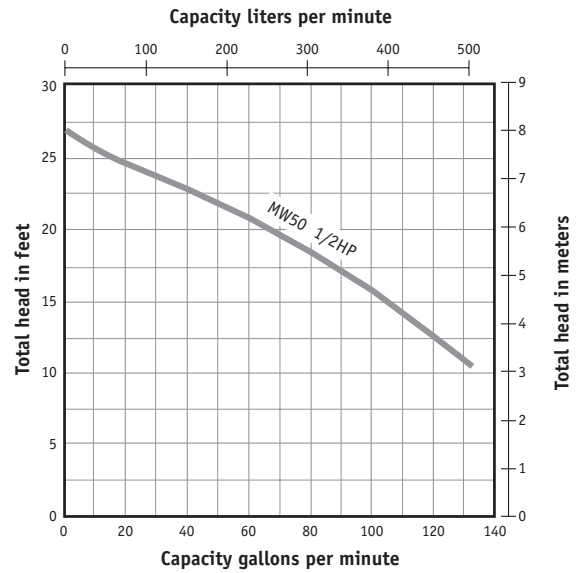
- ◆ **Capacities:** 135 GPM (511 LPM)
- ◆ **Shut-Off Head:** 27' (8.23 m)
- ◆ **Operation:** Manual or automatic
- ◆ **Solids Handling:** 2" (50.8 mm)
- ◆ **Liquids Handling:** Domestic sewage and drain water
- ◆ **Intermittent Liquid Temp.:** Up to 140°F (60°C)
- ◆ **Acceptable pH Range:** 5-9
- ◆ **Power Cord:** 20 foot (6.1 m), 16/3, SJTW
- ◆ **Shaft Seal:** Type 6, carbon and ceramic
- ◆ **Discharge NPT:** 2"
- ◆ **Housing:** Cast iron
- ◆ **Minimum Sump Diameter:** Simplex: 24" (61 cm); Duplex: 36" (91.4 cm)
- ◆ **Impeller:** Thermoplastic
- ◆ **Volute Case:** Class 30 cast iron

RESIDENTIAL AND LIGHT COMMERCIAL SEWAGE PUMP MW50 SERIES

DIMENSIONS



PUMP PERFORMANCE



ORDERING INFORMATION

CATALOG NUMBER	HP	VOLTS	PHASE	AMPS	DISCHARGE NPT	SWITCH TYPE	CORD LENGTH	APPROX. WT. LBS
MW50-11	1/2	115	1	9.0	2"	Manual	20' (6.1 m)	42 (19.1 kg)
MW50-11P	1/2	115	1	9.0	2"	Tethered Automatic*	20' (6.1 m)	43 (19.5 kg)
MW50-21	1/2	230	1	4.5	2"	Manual	20' (6.1 m)	42 (19.1 kg)
MW50-21P	1/2	230	1	4.5	2"	Tethered Automatic*	20' (6.1 m)	43 (19.5 kg)

*Piggyback



293 Wright St
Delavan, WI 53115
Ph: 888.987.8677
Fx: 800.426.9446

490 Pinebush Rd., Unit 4
Cambridge, Ontario N1T 0A5, Canada
Ph: 800.363.7867
Fx: 888.606.5484

pentair.com

All indicated Pentair trademarks and logos are property of Pentair. Third party registered and unregistered trademarks and logos are the property of their respective owners. Because we are continuously improving our products and services, Pentair reserves the right to change specifications without prior notice. Pentair is an equal opportunity employer.

©2023 Pentair. All Rights Reserved.

M9031SSE (08-01-23)