

PRE-PLUMBED SEWAGE PACKAGE

SR1830 SERIES - SRM4

The Myers SR1830 Packaged Sewage System for below-drain applications features the heavy-duty cast iron SRM4 series pump and corrosion-resistant basin making this the preferred package for extended service installations. The specially designed recessed vortex impeller ensures the free flow of solids up to 2" diameter.

APPLICATIONS

Residential sewage systems.



FEATURES

- ◆ **Ready To Go:** Fully assembled system includes pump, basin, sealed cover, internal basin discharge pipe, and 2" full-swing check valve.
- ◆ **Heavy-Duty Pump:** Long-life carbon/ceramic seal protects motor against leakage. Oil-filled motor for continuous lubrication and heat dissipation. Internal heat sensor prevents overheating and includes automatic reset. Tethered automatic float switch with piggyback plug.
- ◆ **Basin:** 18" x 30" corrosion-resistant thermoplastic construction with a 30 gallon capacity and 4" plastic slip type or cast iron inlet hub.
- ◆ **Basin Cover:** 18" seal-tight design in thermoplastic. 2" discharge flange and vent flange suitable for 2" or 3" vent.

SPECIFICATIONS

- ◆ **Capacities:** 115 gpm (435 lpm)
- ◆ **Shut-Off Head:** 18' (5.4 m)
- ◆ **Solids Handling:** 2" (50.8 mm)
- ◆ **Liquids Handling:** Septic, effluent, and sewage
- ◆ **Intermittent Liquid Temp.:** Up to 140°F (60°C)
- ◆ **Motor/Electrical Data:** 4/10HP, 115V, 13A, 1Ø, 60Hz
- ◆ **Acceptable pH Range:** 5-9
- ◆ **Discharge NPT:** 2"
- ◆ **Housing:** Heavy cast iron
- ◆ **Volute Case Cord:** Cast iron
- ◆ **Impeller:** Recessed, thermoplastic
- ◆ **Shaft Seal:** Type 11A, carbon and ceramic
- ◆ **Basin Size:** 18" x 30" ; 30-gallon capacity
- ◆ **Power Cord:** 20'



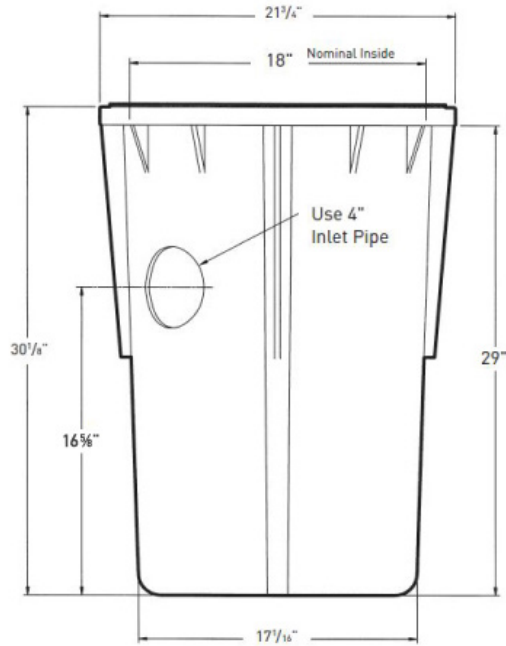
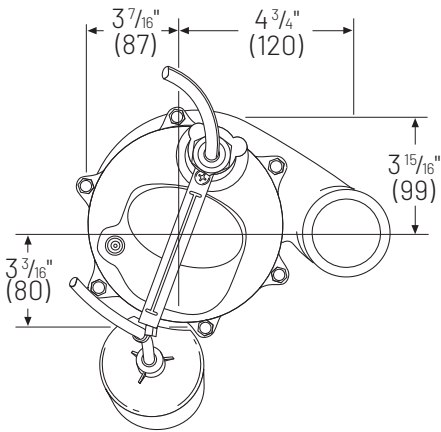
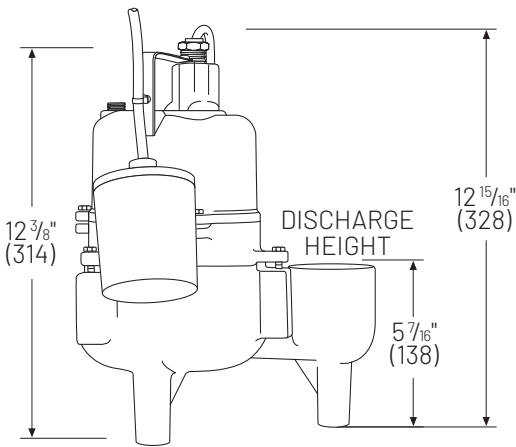
Tested & Certified to UL778
and CSA 108.

3 Year Warranty

PRE-PLUMBED SEWAGE PACKAGE SR1830 SERIES - SRM4

DIMENSIONAL DATA

Measurements shown in inches (mm).

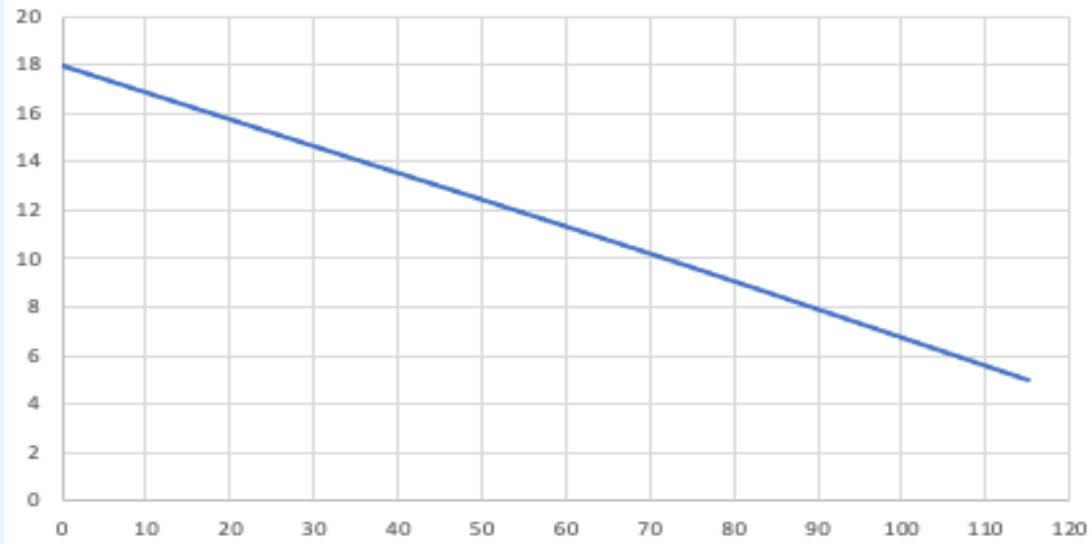


WIDE ANGLE SWITCH

On = 12-1/2"

Off = 6-1/2"

PERFORMANCE DATA



ORDERING INFORMATION

CATALOG #	HP	VOLTS	PHASE	AMPS	DISCHARGE NPT	COVER TYPE	INLET TYPE	VENT SIZE	SWITCH TYPE	CORD LENGTH	WT. LBS
SR1830	4/10	115	1	13	2"	Solid	Snap-In	2" / 3"	Tethered Automatic*	20'	56

*Piggyback



293 Wright St,
 Delavan, WI 53115 USA
 Ph: 888.782.7483
 Fx: 800.426.9446

490 Pinebush Rd, Unit 4
 Cambridge, Ontario N1T 0A5, Canada
 Ph: 800.363.7867
 Fx: 888.606.5484

pentair.com

All indicated Pentair trademarks and logos are property of Pentair. Third party registered and unregistered trademarks and logos are the property of their respective owners. Because we are continuously improving our products and services, Pentair reserves the right to change specifications without prior notice. Pentair is an equal opportunity employer.

©2023 Pentair. All Rights Reserved.

M9036SSE (08-01-23)