

SHALLOW WELL JET PUMPS

QUICK DRAW SERIES

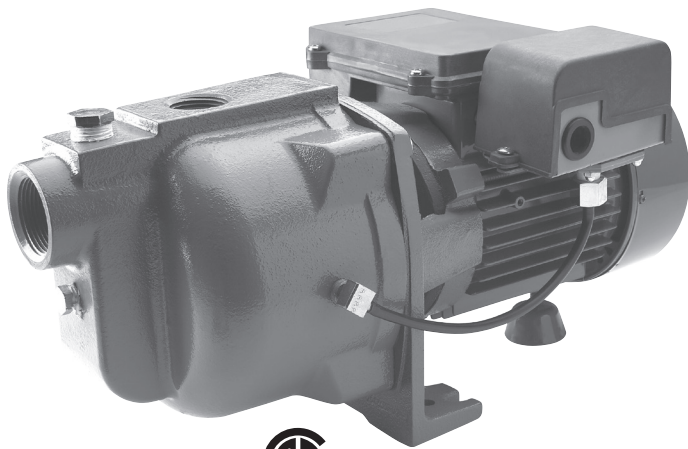
The Quick Draw Jet Pumps deliver strong performance with a moisture and insect proof motor for optimum service. Additionally, the pumps feature a large capacity top suction case and internal priming plate for quick and reliable priming. The motor provides dependable long life to all critical bearings with electrical connections enclosed and protected from harsh environments. Available in 1/2, 3/4, and 1 HP pumps that quickly deliver water for home, farm, commercial, and industrial water systems.

APPLICATIONS

Water systems for home, farm, commercial and industrial.

SPECIFICATIONS

- ◆ Improved shallow well design.
- ◆ Cast iron construction.
- ◆ Corrosion resistant impellers.
- ◆ 1/2, 3/4, and 1 HP models.
- ◆ Maximum pressures to 65 PSI.
- ◆ Flows to 27 GPM.



FEATURES

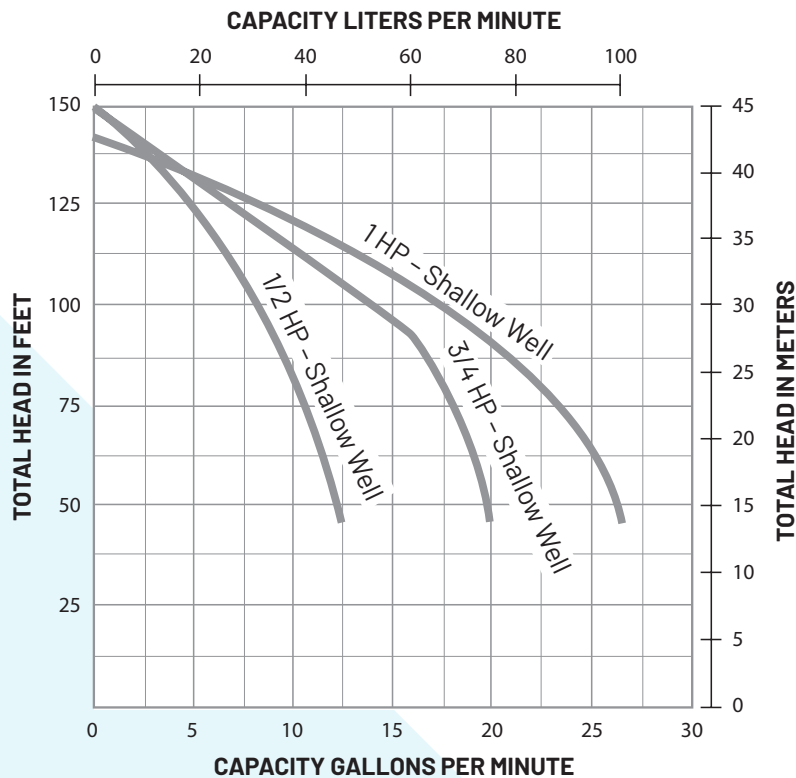
- ◆ **Quick and Easy Priming**
 - Faster priming.
 - Large capacity, top suction case.
 - Internal priming plate.
 - Separate priming plug on case.
- ◆ **Long Life Motor**
 - 115/230 volt with dual voltage selector switch.
 - Prevents moisture, insect or dirt damage to critical electrical components.
 - Provides clean, dry environment to electrical components for maximum motor life.
 - Permanently lubricated double-ball bearings.
 - Strong capacitor starting torque.
 - Non-overloading, continuous duty rating.
 - Internal thermal overload protection.
- ◆ **Strong Pump Performance**
 - Maximum pressures to 65 PSI.
 - Flow capabilities to 26 GPM.
 - 1-1/4" suction, 1" discharge on all models.
- ◆ **Heavy Duty Pump Case Motor Bracket**
 - High tensile strength cast iron.
- ◆ **Easy Serviceability**
 - Convenient back pullout design.
 - Nozzle clean-out and priming fitting.
- ◆ **Mechanical Shaft Seal**
 - Precision lapped and polished carbon/ceramic faces, buna elastomers, and stainless steel components.
- ◆ **Direct Mount Pressure Switch**
 - Pre-set at 30/50 PSI setting.
- ◆ **Corrosion Resistant Design**
 - Engineered reinforced thermoplastic impeller.
 - Thermoset diffuser with stainless steel wear ring.

MYERS SHALLOW WELL JET PUMPS

ORDERING INFORMATION

PUMP CATALOG NO.	HP	DISCHARGE PRESSURE (LBS.)	CAPACITY IN U.S. GALLONS						SHUT-OFF PRESSURE
			SUCTION LIFT						
			0'	5'	10'	15"	20'	25"	
QD50S	1/2	20	12.5	11.5	10.5	9'	7.5	6	65 PSI
		30	11	10	9.5	8	6.5	5	
		40	9	8	7.5	6	4.5	3	
		50	6.5	5.5	5	4	3	2	
QD75S	3/4	20	20	18	16.5	15	13	10	65 PSI
		30	19	17	15.5	14	12	9	
		40	16	14.5	12	11	9	8	
		50	9.5	8.5	7.5	6.5	4.5	3.5	
QD100S	1	20	26.5	24	22	19	16	13	62 PSI
		30	25	23	21	18	15	11	
		40	20	18.5	16	13	10.5	7	
		50	12.5	11	9.5	7	5		

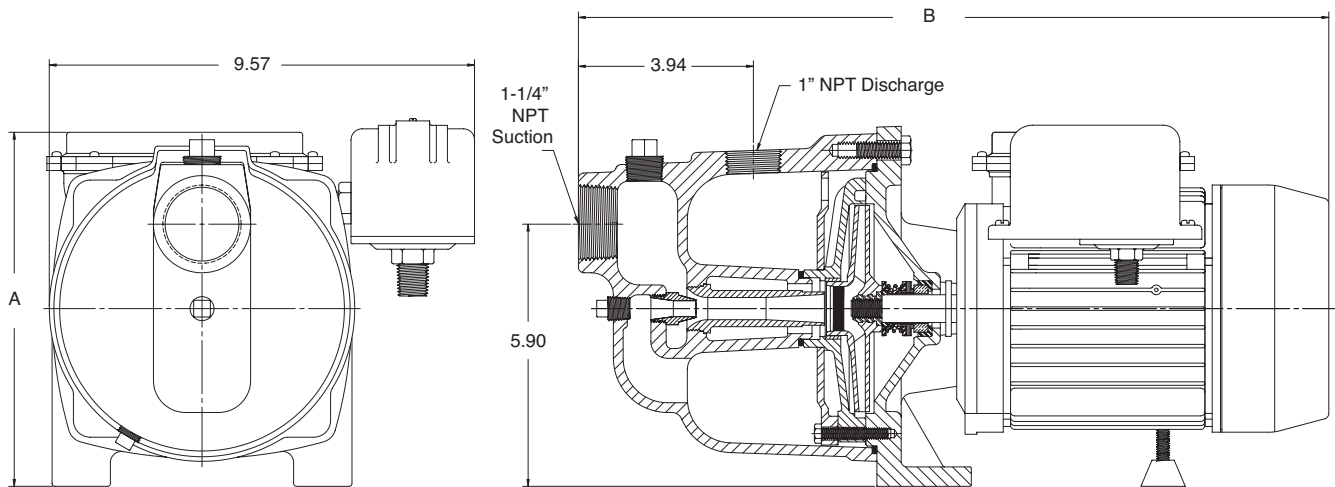
PUMP PERFORMANCE



OUTLINE DIMENSIONS

CATALOG NUMBER	A	B
QD50S	7.97	16.89
QD75S	8.50	17.86
QD100S	8.50	17.86

Dimensions (in inches) are for estimating purposes only.



293 Wright St
 Delavan, WI 53115
 Ph: 888.987.8677
 Fx: 800.426.9446

490 Pinebush Road, Unit 4,
 Cambridge, Ontario N1T 0A5, Canada
 Ph: 800.363.7867
 Fx: 888.606.5484

pentair.com

All indicated Pentair trademarks and logos are property of Pentair. Third party registered and unregistered trademarks and logos are the property of their respective owners. Because we are continuously improving our products and services, Pentair reserves the right to change specifications without prior notice. Pentair is an equal opportunity employer.

©2022 Pentair. All Rights Reserved.

M9126WS (12-15-22)