

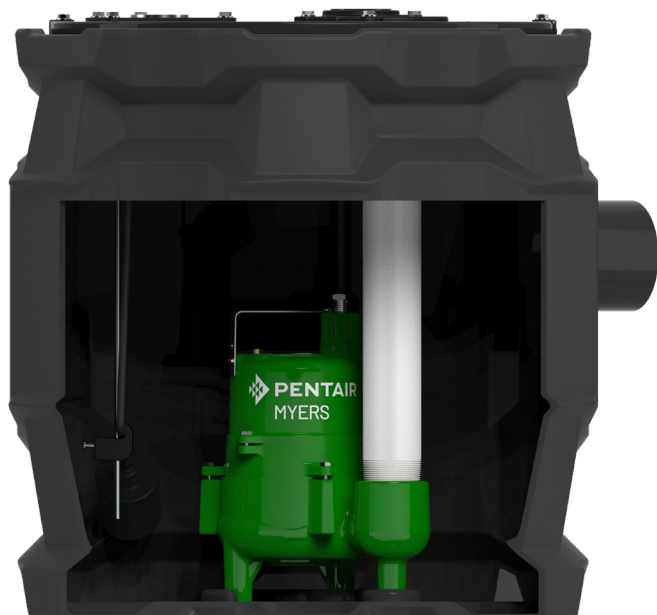
# 24" X 24" SEWAGE BASIN PACKAGE

## SB24 SERIES - SRM4

The 24" x 24" Sewage Basin Package is designed to be installed in a basement floor to collect sewage or effluent water from toilet, washer, dishwasher, or a sink so that it can be pumped away with a sump pump or sewage pump.

### APPLICATIONS

Residential sewage systems pumping to septic or municipal sewer systems.



Tested & Certified to UL778  
and CSA 108.  
3 Year Warranty

### FEATURES

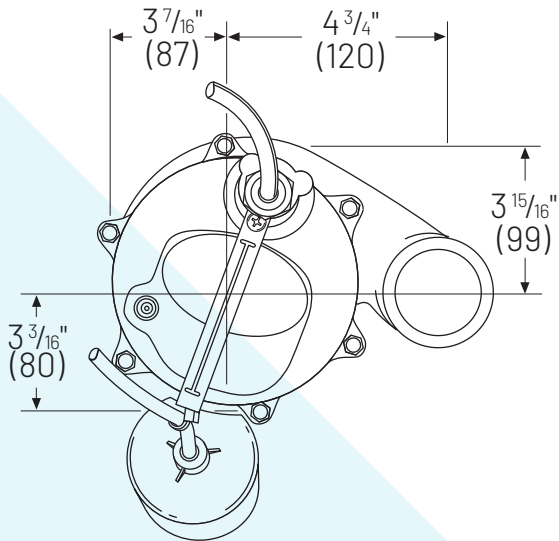
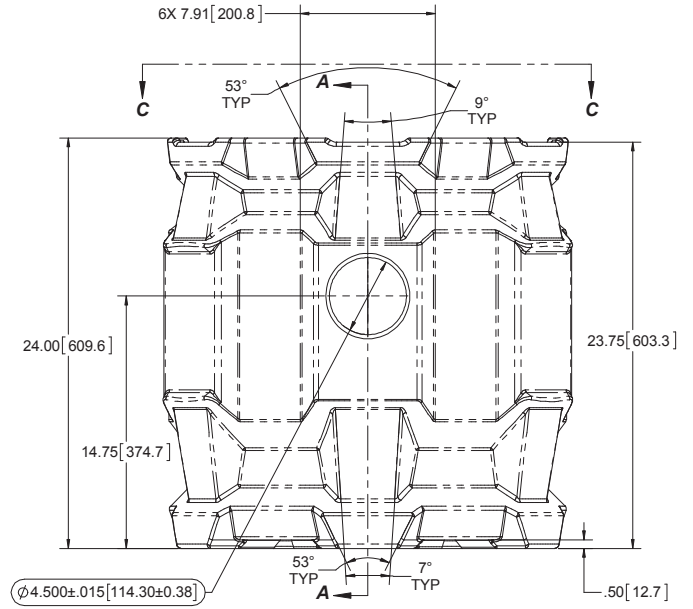
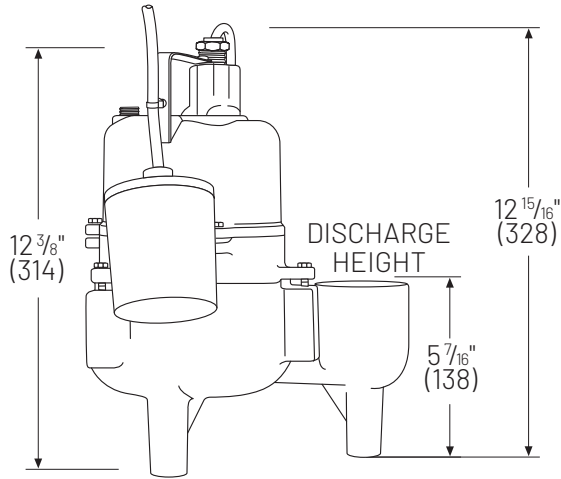
- ◆ **Pre-Assembled From Factory:** For quick and easy installation.
- ◆ **Cast Iron Sewage Pump:** For high performance.
- ◆ **Robust Thermoplastic Structure:** For superior durability.
- ◆ **Specially Designed Bottom Grooves:** For easy leveling in rough soil.
- ◆ **Molded Torque Stops:** Keep pump in place.
- ◆ **38.5 Gallon Capacity:** For longer pump cycles prolonging the pump life.
- ◆ **5 Additional Flats:** For adding or changing inlet pipe location.

### SPECIFICATIONS

- ◆ **Capacities:** 115 gpm (435 lpm)
- ◆ **Shut-Off Head:** 18' (5.4 m)
- ◆ **Solids Handling:** 2" (50.8 mm)
- ◆ **Liquids Handling:** Septic effluent and sewage
- ◆ **Intermittent Liquid Temp.:** Up to 140°F (60°C)
- ◆ **Motor/Electrical Data:** 4/10 HP, shaded pole, 115V, 13A, 1Ø, 60Hz
- ◆ **Acceptable pH Range:** 5-9
- ◆ **Discharge NPT:** 2"
- ◆ **Housing:** Heavy cast iron
- ◆ **Volute Case Cord:** Cast iron
- ◆ **Impeller:** Recessed, thermoplastic
- ◆ **Shaft Seal:** Type 11A, carbon and ceramic
- ◆ **Basin Size:** 24" x 24"; 38.5 gallon capacity
- ◆ **Power Cord:** 20'

**DIMENSIONAL DATA**

Measurements shown in inches (mm).

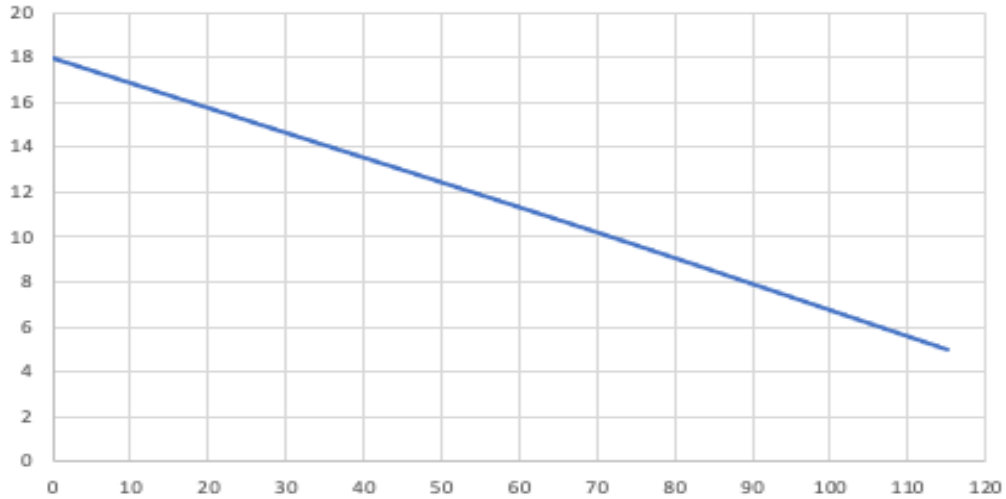


**WIDE ANGLE SWITCH**

On = 12-1/2"

Off = 6-1/2"

**PERFORMANCE DATA**



**ORDERING INFORMATION**

CATALOG #	HP	VOLTS	PHASE	AMPS	DISCHARGE NPT	COVER TYPE	INLET TYPE	VENT SIZE	SWITCH TYPE	CORD LENGTH	WT. LBS
SB24SRM	4/10	115	1	13	2"	Solid	Snap-In	2"/3"	Tethered Automatic*	20'	56

\*Piggyback



293 Wright St,  
Delavan, WI 53115 USA  
Ph: 888.782.7483  
Fx: 800.426.9446

490 Pinebush Rd, Unit 4  
Cambridge, Ontario N1T 0A5, Canada  
Ph: 800.363.7867  
Fx: 888.606.5484

pentair.com

All indicated Pentair trademarks and logos are property of Pentair. Third party registered and unregistered trademarks and logos are the property of their respective owners. Because we are continuously improving our products and services, Pentair reserves the right to change specifications without prior notice. Pentair is an equal opportunity employer.

©2023 Pentair. All Rights Reserved.

MY10016 (08-01-23)