



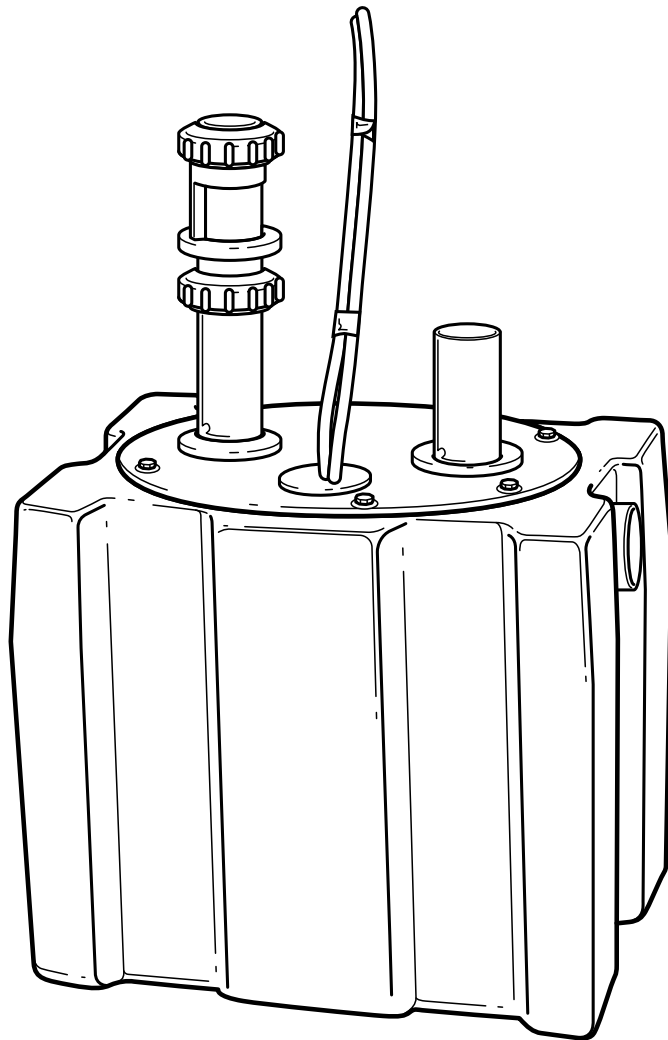
**M118A System**  
**Sump Pump Hide-Away**  
**Basin Package**

---

**MYERS®**

**MS33V10/M118A Hide-Away System Includes:**

- MS33V10, 115V Automatic Submersible Sump Pump
- Polyethylene water box with cover, schedule 40 PVC nipple and swing check valve



**NOTE! TO THE INSTALLER:** Please make sure you provide this manual to the owner of the pumping equipment or to the responsible party who maintains the system.

## General Information

Thank you for purchasing your Myers® product. To help ensure years of trouble-free operation, please read the following manual carefully.

### Before Operation:

Read the following instructions carefully. Reasonable care and safe methods should be practiced. Check local codes and requirements before installation.

### Attention:

This manual contains important information for the safe use of this product. Read this manual completely before using this product and refer to it often for continued safe product use. DO NOT THROW AWAY OR LOSE THIS MANUAL. Keep it in a safe place so that you may refer to it often.

### Warning:

Before handling these pumps and controls, always disconnect the power first. Do not smoke or use sparkable electrical devices or flames in a septic (gaseous) or possible septic sump.

### California Proposition 65

#### Warning

**▲ WARNING** This product and related accessories contain chemicals known to the State of California to cause cancer, birth defects or other reproductive harm.

## Pump Warning

Warranty void if product is modified, drilled, painted, or altered in any way; if used to pump hot water, or to pump liquids other than water (such as but not limited to chemicals, fertilizers, flammable liquids, herbicides, mud, tar, cement, wood chips); or otherwise abused.

The model M118A Hide-Away Basin System is specially designed for pumping wastewater from laundry trays, washing machines, wet bars, water softeners, dehumidifiers, etc. This pump system installs above floor level, no need to dig a sump! This pump system cannot be used for laundry/dishwasher applications in a commercial or industrial environment.

## Installation Instructions

Diagram 1 shows the various connections that must be made for proper installation and operation. This is only a guide; actual installation may vary depending on the particular situation.

### Inlet:

A 1-1/2" inlet is provided on the M118A Hide-Away Basin System. One method of hookup is to use a 1-1/2" PVC MIP adapter or a 1-1/2" PVC MIP marvel connection (or a similar type of connection). You may use a 1-1/2" extension tailpiece or 1-1/2" PVC pipe; it depends on the type of fittings used on the basin inlet. The P-Trap should be installed once the appropriate connections are made on the basin inlet. Once these fittings are installed the rest of the piping may be plumbed.

### Vent:

Provision has been made for a 2" vent to allow maximum volume for any application and proper operation of pump. The vent may be reduced to no less than 1-1/4". Venting is essential for proper pump operation and should not be omitted. The M118A Hide-Away Basin System may be vented into an existing vent stack or use a BOCA in-line vent. Check local codes.

### Discharge:

Do not restrict discharge line below 1-1/4". A check valve MUST be installed to prevent backflow of water after each cycle. If you are using 1-1/2" or 1-1/4" PVC pipe on the discharge line, a Myers CV-170 check valve is recommended. Once check valve has been installed, plumb the discharge line into an existing drain line.

### Basin:

Basin System includes a corrosion-resistant polypropylene tank with a gasket cover.

## System Maintenance

### Caution:

Always disconnect pump from the electrical power source before doing any maintenance. Your sink pump system is manufactured for easy maintenance. Each unit is individually factory-tested to ensure proper adjustment and operation. If unit fails to operate properly, carefully read instructions again to make sure correct procedure has been followed.

## Electrical Information

**WARNING!** Risk of electrical shock. This pump is supplied with a grounding conductor and grounding type attachment plug. To reduce risk of electrical shock, connect only to a properly grounded grounding-type receptacle. This pump has not been investigated for use in swimming pool areas.

**DO NOT WORK ON PUMP UNTIL POWER IS UNPLUGGED.**

DO NOT cut off ground pin or use an adapter fitting. DO NOT use an extension cord. The pump power cord should be connected to a separately fused, grounded 115 volt line with a minimum capacity of 15 amps. NEVER touch the pump when it is connected to electrical power.

The receptacle should be located at least 4 feet above floor level. When wiring this pump follow all local electrical and safety codes and ordinances as well as the most recent National Electrical Code. N.E.C., ANSI/NFPA 70 - 2001.

# M118A System Parts List

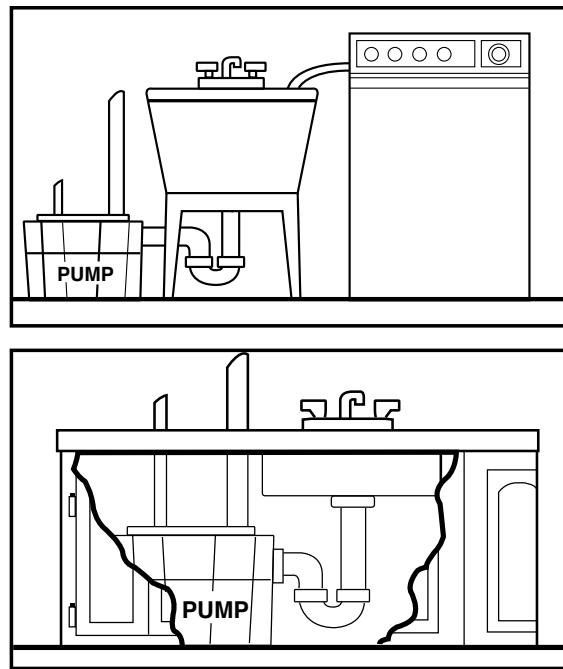
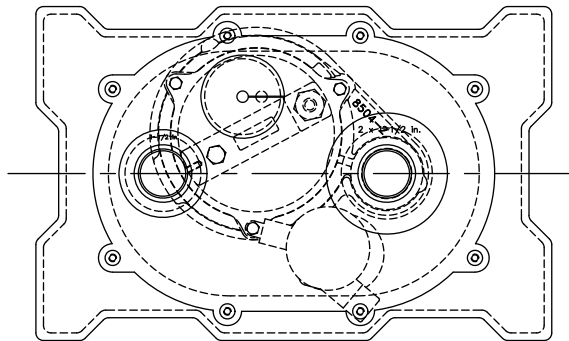
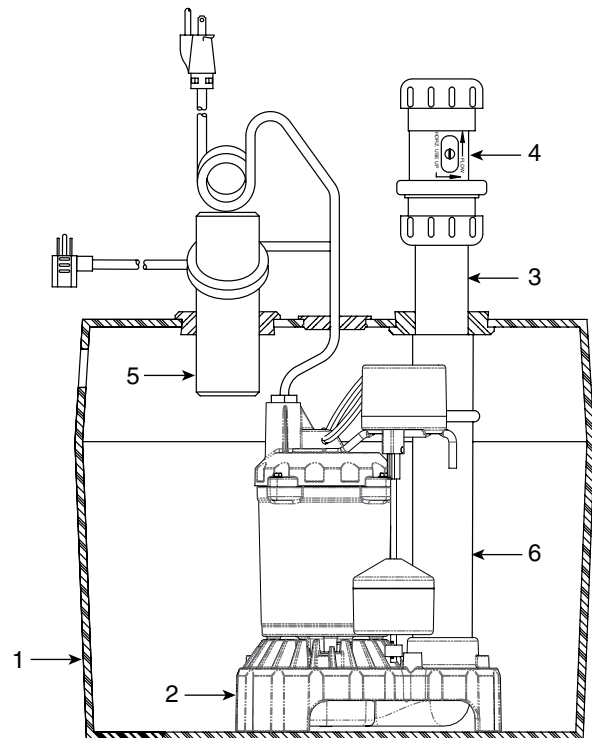


Diagram 1



Ref. No.	Description	Part No.	Qty.
1	POLY BASIN SUMP BOX	113972-004-1	1
2	MS33V10 SUMP PUMP W/10' CORD	MS33V10	1
3	PIPE 1-1/2" PVC SCHEDULE 40, 15-1/4" LG.	312138-006-3	1
4	PVC CHECK VALVE	413254-001-1	1
5	PIPE 1-1/2" PVC SCHEDULE 40, 6" LG.	512138-003-3	1
6	PIPE 2" PVC SCHEDULE 40, 8-1/2" LG.	712173-006-3	1



## LIMITED WARRANTY

Myers® warrants to the original consumer purchaser ("Purchaser" or "You") of the products listed below, that they will be free from defects in material and workmanship for the Warranty Period shown below.

Product	Warranty Period whichever occurs first:
Jet pumps, small centrifugal pumps, submersible pumps and related accessories	12 months from date of original installation, or 18 months from date of manufacture
Fibrewound Tanks	5 years from date of original installation
Steel Pressure Tanks	5 years from date of original installation
Sump/Sewage/Effluent Products	12 months from date of original installation, or 36 months from date of manufacture
Battery Backup Units	
MBSP-2, MBSP-2C	12 months from date of original installation, or 18 months from date of manufacture
MBSP-3, MBSP-3C	24 months from date of original installation, or 30 months from date of manufacture
Wastewater Solids Handling Pumps	12 months from date of shipment from factory or 18 months from date of manufacture

Our warranty applies only where such products are used in compliance with the requirements of the applicable product catalog and/or manuals. For additional information, please refer to the applicable standard limited warranty featured in the product manual.

Our warranty will not apply to any product that, in our sole judgement, has been subject to negligence, misapplication, improper installation, or improper maintenance. Without limiting the foregoing, operating a three phase motor with single phase power through a phase converter will void the warranty. Note also that three phase motors must be protected by three-leg, ambient compensated, extra-quick trip overload relays of the recommended size or the warranty is void.

Your only remedy, and MYERS's only duty, is that MYERS repair or replace defective products (at MYERS's choice). You must pay all labor and shipping charges associated with this warranty and must request warranty service through the installing dealer as soon as a problem is discovered. No request for service will be accepted if received after the Warranty Period has expired. This warranty is not transferable.

MYERS SHALL NOT BE LIABLE FOR ANY CONSEQUENTIAL, INCIDENTAL, OR CONTINGENT DAMAGES WHATSOEVER.

THE FOREGOING LIMITED WARRANTIES ARE EXCLUSIVE AND IN LIEU OF ALL OTHER EXPRESS AND IMPLIED WARRANTIES, INCLUDING BUT NOT LIMITED TO IMPLIED WARRANTIES OF MERCHANTABILITY AND FITNESS FOR A PARTICULAR PURPOSE. THE FOREGOING LIMITED WARRANTIES SHALL NOT EXTEND BEYOND THE DURATION PROVIDED HEREIN.

Some states do not allow the exclusion or limitation of incidental or consequential damages or limitations on the duration of an implied warranty, so the above limitations or exclusions may not apply to You. This warranty gives You specific legal rights and You may also have other rights which vary from state to state.

This Limited Warranty is effective April 1, 2014 and replaces all undated warranties and warranties dated before April 1, 2014.

### MYERS

293 Wright Street, Delavan, WI 53115

Phone: 888-987-8677 • Fax: 800-426-9446 • [www.femyers.com](http://www.femyers.com)

In Canada: 490 Pinebush Road, Unit 4, Cambridge, Ontario N1T 0A5

Phone: 800-363-7867 Fax: 888-606-5484