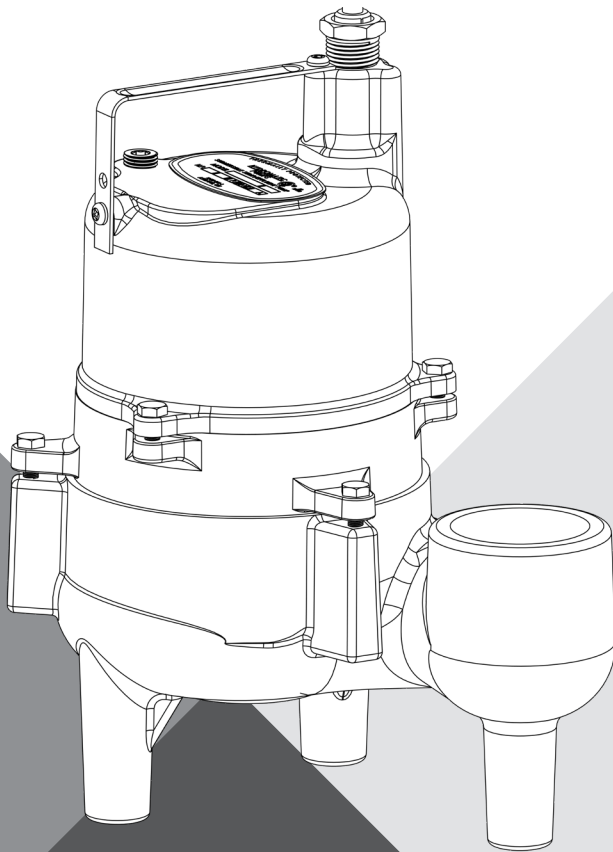




# SUBMERSIBLE SEWAGE PUMP

## SRM4 SERIES

ENGLISH: 1-8 ♦ FRANCAIS: 9-16 ♦ ESPANOL: 17-24



# INSTALLATION AND OPERATION MANUAL

[pentair.com](http://pentair.com)

©2022 Pentair. All Rights Reserved.

MY13800A991(01-01-2022)

# TABLE OF CONTENTS

---

Safety Instructions..... 3

Installation ..... 4

Operation..... 5

Parts List..... 6

Troubleshooting..... 7

Warranty..... 8

# SAFETY INSTRUCTIONS

---

## IMPORTANT

SAVE THESE INSTRUCTIONS: This manual contains important instructions that should be followed during installation, operation, and maintenance of the product. Carefully read and follow all safety instructions in this manual.

**⚠ DANGER** Indicates a hazard which, if not avoided, *will* result in death or serious injury.

**⚠ WARNING** Indicates a hazard which, if not avoided, *can* result in death or serious injury.

**⚠ CAUTION** Indicates a hazard which, if not avoided, *can* or *may* result in minor or moderate injury.

**NOTE:** Addresses practices not related to personal injury.

---

## SAFETY INSTRUCTIONS

- ◆ **⚠ WARNING Hazardous Voltage. Can cause severe or fatal electrical shock.** Do not plug in or unplug while standing on a wet floor or in water. Failure to follow this warning can result in fatal electrical shock.
- ◆ **⚠ WARNING Risk of electrical shock.** Do not lift the pump by the electrical cord; lift pump only by the discharge pipe, lifting ring or handle on the pump. Lifting by the cord can damage the cord.
- ◆ Do not smoke or use devices that can generate sparks in a septic (gaseous) environment.
- ◆ Disconnect power to outlet box before unplugging pump.
- ◆ Take extreme care when changing fuses. Do not stand in water or put your finger in the fuse socket.
- ◆ Be sure that construction and access to septic sumps conform with all OSHA requirements.
- ◆ Do not run the pump dry. Dry running can overheat the pump, (causing burns to anyone handling it) and will void the warranty.
- ◆ The pump normally runs hot. To avoid burns when servicing pump, allow it to cool for 20 minutes after shutdown before handling it.
- ◆ The pump is permanently lubricated. No oiling or greasing is required in normal operation. For overhaul, see instructions under "Service".
- ◆ Vent sewage or septic tank according to local codes.
- ◆ This unit is not designed for applications involving salt water or brine! Use with salt water or brine will void warranty.

## ELECTRICAL

- ◆ **DO NOT** splice the electrical power cord. Do not modify the cord and plug. When using the cord and plug, plug into a grounded outlet only. When wiring to a system control, connect the pump ground lead to the system ground.
- ◆ **DO NOT** allow the electrical cord plug to be submerged.
- ◆ **DO NOT** use extension cords. They are a fire hazard and can reduce voltage sufficiently to prevent pumping and/or damage motor.
- ◆ **DO NOT** handle or service the pump while it is connected to the power supply.
- ◆ **DO NOT** remove the grounding prong from the plug or modify the plug. To protect against electrical shock, the power cord is a three-wire conductor and includes a 3-prong grounded plug. Plug the pump into a 3-wire, grounded, grounding-type receptacle. Connect the pump according to the NEC or CEC and local codes.
- ◆ **DO NOT** install pump in any location classified as hazardous by National Electrical Code, ANSI/NFPA or the Canadian Electrical Code.
- ◆ For automatic operation, plug or wire the pump into an automatic float switch or duplex controller. The pump will run continuously when plugged directly into an electrical outlet.
- ◆ Connect or wire pump to its own individual branch circuit with no other outlets or equipment in the circuit. Size fuses or circuit breakers according to the "Specifications" list.
- ◆ **⚠ WARNING Risk of electrical shock and fire. Can burn, kill or cause property damage.** Be sure that power supply information (Voltage/ Hertz/Phase) on pump motor nameplate matches incoming power supply exactly.
- ◆ Install pump according to all electrical codes that apply.

## CALIFORNIA PROPOSITION 65 WARNING

**⚠ WARNING** This product and related accessories contain chemicals known to the State of California to cause cancer, birth defects or other reproductive harm.

# INSTALLATION

This submersible sewage pump is designed for residential wastewater removal, sewage applications, sump drainage, dewatering and flood control. Units have built in thermal overload protection with automatic reset. The mechanical seal and bearings on the motor shaft are permanently lubricated. Stainless steel hardware and a heavy duty lift out handle allow for easy disassembly after extended use.

This unit is not designed for applications involving salt water or brine! Use with salt water or brine will void warranty.

## SPECIFICATIONS

Power supply required.....115V, 60 HZ.  
 Motor Duty.....Intermittent  
 Max Liquid Temp.....140°F (60° C)  
 Discharge.....2" NPT

## MOTOR AND CORD SPECIFICATIONS

MODEL NUMBER	HP	VOLTAGE	SWITCH	FULL LOAD AMPS	BRANCH CIRCUIT AMPS	CORD LENGTH
SRM4D 20	4/10	115	PD	13	20	20
SRM4M 20	4/10	115	M	13	20	20
SRM4M2 20	4/10	230	M	6.5	15	20
SRM4T 30	4/10	115	PT	13	20	30
SRM4T 20	4/10	115	PT	13	20	20
SRM4T2 20	4/10	230	PT	6.5	15	20
SRM4V 20	4/10	115	PV	13	20	20

## SWITCH SPECIFICATIONS

TYPE	SWITCH SETTING IN INCHES (MM)	
	ON	OFF
Wide Angle Float	12-1/2" (318)	6-1/2" (165)
Vertical	8-15/16 (227)	4-7/16 (113)
Diaphragm	8-7/8 (225)	4-1/4 (108)

## PERFORMANCE

GPM AT TOTAL FEET OF LIFT		
10'	15'	NO FLOW AT HEIGHT SHOWN BELOW
72	27	19

# INSTALLATION

Install the pump on a hard, level surface (cement, asphalt, etc.). Never place the pump directly on earth, clay or gravel surfaces. Install the pump in a sump basin with a minimum diameter of 18" (46cm).

## PIPING

- ◆ Piping must not be smaller than pump discharge. When installed in a sewage system, the pipe must be capable of handling semi-solids of at least 2" (51mm) in diameter.
- ◆ The rate of flow in the discharge pipe must keep any solids present in suspension in the fluid. To meet minimum flow requirements (2 feet per second in the discharge line), size the pipe as follows:

A PIPE SIZE OF	WILL HANDLE A FLOW RATE OF
2" (51mm)	21 GPM
2-1/2" (64mm)	30 GPM
3" (76mm)	48 GPM

- ◆ In a sewage system use a 2" (51mm) or larger check valve in pump discharge to prevent back flow of liquid into sewage basin. The check valve should be a free flow valve that will easily pass solids. Be sure check valve installation complies with local codes.
- ◆ For best performance of check valve when handling solids, do not install it with the discharge more than 45° above the horizontal. Do not install the check valve in a vertical position as solids may settle in the valve and prevent it from opening on startup.
- ◆ Drill a 3/16" (5mm) hole in the discharge pipe about 1-2" (25-51mm) above the pump discharge connection (but below check valve) to prevent air-locking the pump.
- ◆ Be sure that the wide-angle float switch hangs freely. It should not be able to come in contact with the sides or bottom of the sump pit.
- ◆ Make sure the sump pit is free of any debris that could obstruct the intake volute or switch.
- ◆ Use plumbing materials that are approved by local building codes when connecting pipes between pump and sewer outlet.
- ◆ For critical indoor installations where additional high water protection is desired, install a "Q-Alert" audible alarm system in the sump pit. For outdoor installations, confer with your distributor.

# OPERATIONS

## OPERATIONS

- ◆ **⚠ WARNING** Risk of fire or explosion. Can cause severe personal injury, property damage or death. Do not use in explosive atmospheres.
- ◆ Do not allow the pump to run in a dry basin/tank. It will void the warranty and may damage the pump.
- ◆ An automatic overload protector in the motor will protect the motor from burning out due to overheating/overloading. When the motor cools down, the overload protector will automatically reset and start the motor.
- ◆ If the overload trips frequently, check for the cause. It could be a stuck impeller, wrong/low voltage, or an electrical failure in the motor. If an electrical failure in the motor is suspected, have it serviced by a competent repairman.
- ◆ The pump is permanently lubricated. No oiling or greasing is required.
- ◆ Cycle the pump at least once every month to be sure that the system is working satisfactorily.

Any of the following will void the pump warranty:

1. Submerging, plugging, damaging or taping shut a vented cord.
2. Pumping materials other than those the pump was designed to pump or continuously pumping water hotter than 140°F (60°C).
3. Cutting or splicing a power cord or switch cord.
4. Anyone other than an authorized Myers service technician dismantling the pump.
5. Removing the cord tag from the cord.

## SERVICE

**⚠ WARNING** Hazardous voltage and risk of cord damage. Can shock, burn or kill.


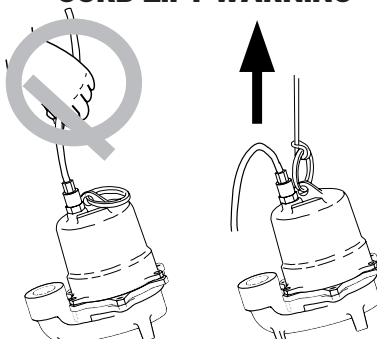
- ◆ Before removing the pump from the basin for service, always disconnect electrical power to the pump and the control switch.
- ◆ Do not lift the pump by the power cord. See the "Cord Lift Warning".

### DISINFECT THE PUMP

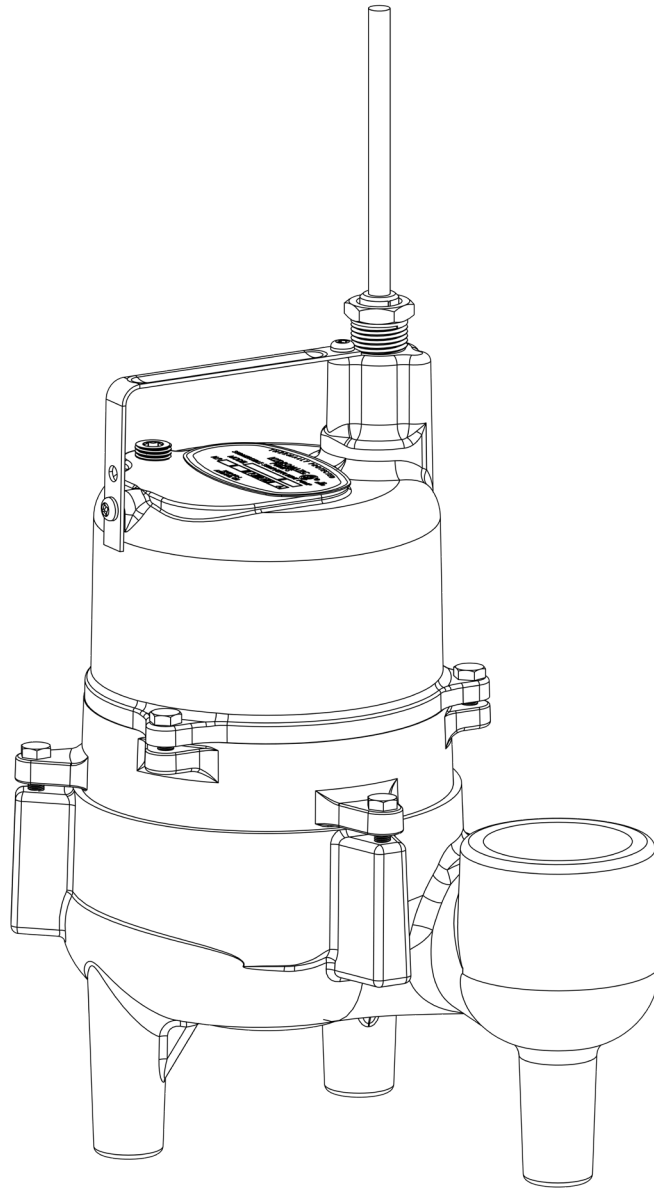
- ◆ Place the pump in an area where it can be cleaned thoroughly. Remove all scale and deposit on the pump. Submerge the complete pump in a disinfectant solution (chlorine bleach) for at least one hour before disassembling the pump.
- ◆ The pump motor housing contains a special lubricating oil which should be kept clean and free of water at all times.
- ◆ Whenever the motor housing is being removed for service, remove oil and replace it with new oil at reassembly. Use only oil listed in parts list in this manual.
- ◆ When filling with new oil, DO NOT overfill. Fill with new oil so that the surface of the oil is 1/4" above the motor windings.

### CHECK PUMP GROUND

1. Set the meter to Rx100.
2. Touch one lead to the grounding pin and the other lead to one flat prong of the plug. Repeat for the other prong.
3. Reading should be infinity for both prongs.
  - ◆ If the reading is anything other than infinity, the stator must be removed, dried and rechecked.
  - ◆ A reading of "0" indicates a dead short. Replace the pump.

 <p><b>⚠ WARNING</b></p> <p>Risk of electrical shock. Can burn or kill. Do not lift pump by power cord.</p>	<p><b>CORD LIFT WARNING</b></p> 	<ol style="list-style-type: none"><li>1. Attempting to lift or support pump by power cord can damage cord and cord connections.</li><li>2. Cord may pull apart, exposing bare wires with possibility of fire or electrical shock.</li><li>3. Lifting or supporting pump by power cord will void warranty.</li><li>4. Use lifting ring or handle on top of pump for all lifting/lowering of pump. Disconnect power to pump before doing any work on it or attempting to remove.</li></ol>
--	---	--

# PARTS LIST



KEY NO.	PART DESCRIPTION	QTY.	PART NUMBER
●	Diaphragm Switch, 115V 20'	1	DPSPD120-01
●	Wide Angle Float Switch, 115V 20'	1	139670201
●	Wide Angle Float Switch, 115V 30'	1	139670301
●	Wide Angle Float Switch, 230V 20'	1	139670251
●	Vertical Switch, 115V 20'	1	26385A000

● Not Illustrated

\*If motor fails, replace entire pump.

# TROUBLESHOOTING

**⚠ WARNING Sudden Starts.** If the power is on to the pump when thermal overload resets, the pump may start without warning. If you are working on the pump, you may get an electrical shock or the impeller may catch fingers or tools. Disconnect the power before servicing the pump.

SYMPTOM	CORRECTIVE ACTION
Pump fails to operate.	<ul style="list-style-type: none"> <li>◆ Check to be sure that power cord is securely plugged into outlet or securely wired into controller or switch box . Disconnect power to outlet before handling pump or motor.</li> <li>◆ Check to be sure you have electrical power.</li> <li>◆ Check that liquid fluid level is high enough to activate switch or controller.</li> <li>◆ Check to be sure that 1/8 (3mm) vent hole in discharge pipe is not plugged.</li> <li>◆ Check for blockage in pump inlet, impeller, check valve or discharge pipe.</li> <li>◆ Disconnect the pump from the power source for a minimum of 30 minutes to allow the motor to cool and to protect yourself from sudden starts.</li> <li>◆ Check for the cause of overheating. Pump is running dry because the float switch is caught up on something. Inlet pipe is plugged. Outlet pipe is plugged.</li> <li>◆ Motor windings may be open. Take unit to authorized service center.</li> </ul>
Pump fails to empty basin/ tank.	<ul style="list-style-type: none"> <li>◆ Be sure all valves in discharge pipe are fully open.</li> <li>◆ Clean out discharge pipe and check valve.</li> <li>◆ Check for blockage in pump inlet or impeller.</li> <li>◆ Pump not sized properly. A higher capacity pump may be required.</li> </ul>
Pump will not shut off.	<ul style="list-style-type: none"> <li>◆ Check switch for proper operation and location. See installation instructions for switch.</li> <li>◆ If pump is completely inoperative or continues to malfunction, consult your local serviceman.</li> </ul>
Pump run but fails to deliver water.	<ul style="list-style-type: none"> <li>◆ Check valve may be installed backwards. Be sure that the arrow on calve points in the direction of flow.</li> <li>◆ Pump may be air-locked. Check vent hole in impeller housing.</li> </ul>
Pump fuse blows or trips circuit breaker.	<ul style="list-style-type: none"> <li>◆ Check fuse size.</li> <li>◆ Intake opening clogged. Obstructed impeller. Obstructed volute.</li> </ul>
Motor runs for short time and stops.	<ul style="list-style-type: none"> <li>◆ Defective stator. Take unit to authorized service center.</li> </ul>
Pump runs but delivers small amount of water.	<ul style="list-style-type: none"> <li>◆ Start and stop pump several times by plugging and unplugging cord.</li> <li>◆ Clear vent hole in impeller cavity.</li> </ul>

# WARRANTY

## Limited Warranty

Myers warrants to the original consumer purchaser ("Purchaser" or "You") of the products listed below, that they will be free from defects in material and workmanship for the Warranty Period shown below.

Product	Warranty Period whichever occurs first:
Jet pumps, small centrifugal pumps, submersible pumps and related accessories	12 months from date of original installation, or 18 months from date of manufacture
Fibrewound Tanks	5 years from date of original installation
Steel Pressure Tanks	5 years from date of original installation
Sump/Sewage/Effluent/Utility/Battery Backup Products	36 months from date of manufacture
Wastewater Solids Handling Pumps	12 months from date of shipment from factory or 18 months from date of manufacture

Our warranty applies **only** where such products are used in compliance with the requirements of the applicable product catalog and/or manuals. For additional information, please refer to the applicable standard limited warranty featured in the product manual.

Our warranty will **not** apply to any product that, in our sole judgment, has been subject to negligence, misapplication, improper installation, or improper maintenance. Without limiting the foregoing, operating a three phase motor with single phase power through a phase converter will void the warranty. Note also that three phase motors must be protected by three-leg, ambient compensated, extra-quick trip overload relays of the recommended size or the warranty is void.

Your only remedy, and MYERS's only duty, is that MYERS repair or replace defective products (at MYERS's choice). You must pay all labor and shipping charges associated with this warranty and must request warranty service through the installing dealer as soon as a problem is discovered. No request for service will be accepted if received after the Warranty Period has expired. This warranty is not transferable.

MYERS SHALL NOT BE LIABLE FOR ANY CONSEQUENTIAL, INCIDENTAL, OR CONTINGENT DAMAGES WHATSOEVER.

THE FOREGOING LIMITED WARRANTIES ARE EXCLUSIVE AND IN LIEU OF ALL OTHER EXPRESS AND IMPLIED WARRANTIES, INCLUDING BUT NOT LIMITED TO IMPLIED WARRANTIES OF MERCHANTABILITY AND FITNESS FOR A PARTICULAR PURPOSE. THE FOREGOING LIMITED WARRANTIES SHALL NOT EXTEND BEYOND THE DURATION PROVIDED HEREIN.

Some states do not allow the exclusion or limitation of incidental or consequential damages or limitations on the duration of an implied warranty, so the above limitations or exclusions may not apply to You. This warranty gives You specific legal rights and You may also have other rights which vary from state to state.

This Limited Warranty is effective January 1, 2021 and replaces all undated warranties and warranties dated before January 1, 2021.

**PENTAIR MYERS**  
293 Wright Street, Delavan, WI 53115  
Phone: 888-987-8677 • Fax: 800-426-9446 • [www.femyers.com](http://www.femyers.com)  
In Canada: 490 Pinebush Road, Unit 4, Cambridge, Ontario N1T 0A5  
Phone: 800-363-7867 • Fax: 888-606-5484



Us: 293 Wright St  
Delavan, WI 53115  
Ph: 888.987.8677  
Fx: 800.426.9446

Canada: 490 Pinebush Rd, Unit 4  
Cambridge, Ontario N1t 0a5  
Ph: 800.363.7867  
Fx: 888.606.5484

[pentair.com](http://pentair.com)

All indicated Pentair trademarks and logos are property of Pentair. Third party registered and unregistered trademarks and logos are the property of their respective owners. Because we are continuously improving our products and services, Pentair reserves the right to change specifications without prior notice. Pentair is an equal opportunity employer.

©2022 Pentair. All Rights Reserved.

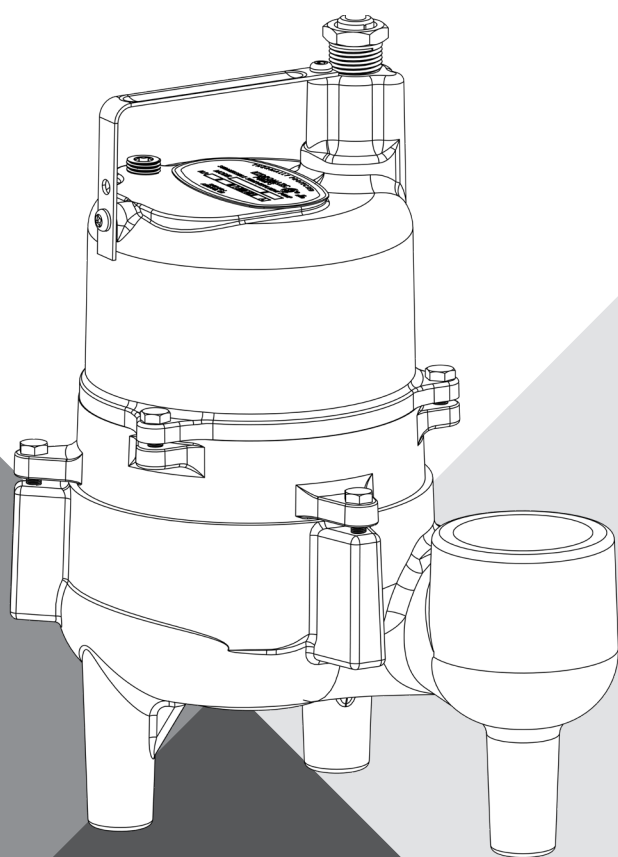
MY13800A991(01-01-22)





# POMPE D'ÉGOUT SUBMERSIBLE

## SRM4 SÉRIES



# MANUEL D'INSTALLATION ET D'UTILISATION

[pentair.com](http://pentair.com)

# TABLE DES MATIÈRES

---

Consignes de sécurité.....	11
Installation .....	12
Utilisation.....	13
Liste des pièces.....	14
Dépannage.....	15
Garantie.....	16

# CONSIGNES DE SÉCURITÉ

## IMPORTANT

CONSERVEZ CES CONSIGNES. Ce manuel contient des consignes importantes qui doivent être suivies pendant l'installation, l'utilisation et l'entretien du produit. Lisez attentivement et suivez toutes les consignes de sécurité figurant dans ce manuel.

**▲ DANGER** Indique un danger qui *entraînera* la mort ou des blessures graves s'il n'est pas évité.

**▲ AVERTISSEMENT** Indique un danger qui *peut* entraîner la mort ou des blessures graves s'il n'est pas évité.

**▲ MISE EN GARDE** Indique un danger qui *peut* ou *pourrait* entraîner des blessures légères ou moyennement graves s'il n'est pas évité.

**REMARQUE :** Concerne des pratiques non liées aux lésions corporelles.

## CONSIGNES DE SÉCURITÉ

- ◆ **▲ AVERTISSEMENT** **Tension dangereuse. Peut provoquer un choc électrique grave ou mortel.** Abstenez-vous de brancher ou débrancher l'appareil lorsque vous vous trouvez sur un plancher mouillé ou dans l'eau. Le non-respect de cet avertissement peut entraîner un choc électrique mortel.
- ◆ **▲ AVERTISSEMENT** **Risque de choc électrique.** Ne soulevez pas la pompe par le cordon électrique; soulevez-la uniquement par le tuyau d'évacuation, l'anneau de levage ou la poignée de la pompe. Soulever la pompe par le cordon peut endommager ce dernier.
- ◆ Ne fumez pas et n'utilisez pas d'appareils pouvant générer des étincelles dans un environnement septique (gazeux).
- ◆ Coupez l'alimentation de la boîte de sortie avant de débrancher la pompe.
- ◆ Soyez extrêmement prudent lorsque vous changez des fusibles. Restez au sec et ne mettez pas votre doigt dans la prise du fusible.
- ◆ Assurez-vous que la construction et l'accès aux puits septiques sont conformes à toutes les exigences de l'OSHA.
- ◆ Ne faites pas fonctionner la pompe à sec. Un fonctionnement à sec peut surchauffer la pompe (et causer des brûlures à quiconque la manipule) et annulera la garantie.
- ◆ La pompe en fonctionnement est normalement chaude. Pour éviter les brûlures lors de l'entretien de la pompe, laissez-la refroidir pendant 20 minutes après l'arrêt avant de la manipuler.
- ◆ La pompe est lubrifiée en permanence. Aucun huilage ou graissage n'est requis dans le cadre d'un fonctionnement normal. Pour le grand entretien, voir les instructions dans la section « Entretien ».
- ◆ Ventilez l'égout ou la fosse septique conformément aux codes locaux.

- ◆ Cet appareil n'est pas conçu pour être utilisé avec de l'eau salée ou de la saumure! L'utilisation avec de l'eau salée ou de la saumure annule la garantie.

## ÉLECTRICITÉ

- ◆ **N'ÉPISSEZ PAS** le cordon d'alimentation électrique. Ne modifiez pas le cordon ou la fiche. Lorsque vous utilisez le cordon et la fiche, utilisez uniquement une prise mise à la terre. Lors du câblage à une commande du système, branchez le conducteur de terre de la pompe à la prise de masse du système.
- ◆ **N'IMMERGEZ PAS** la fiche du cordon électrique.
- ◆ **N'UTILISEZ PAS** de rallonges. Elles posent un risque d'incendie et peuvent réduire suffisamment la tension pour interrompre le pompage ou endommager le moteur.
- ◆ **NE MANIPULEZ PAS** et ne faites pas l'entretien de la pompe lorsqu'elle est branchée à l'alimentation.
- ◆ **NE RETIREZ PAS** la tige de mise à la terre de la fiche et ne modifiez pas cette dernière. Pour vous protéger des chocs électriques, le cordon d'alimentation est un conducteur à trois fils qui comprend une fiche à 3 broches avec mise à la terre. Branchez la pompe dans une prise à 3 fils avec mise à la terre. Branchez la pompe conformément aux codes du NEC ou du CEC et aux codes locaux.
- ◆ **N'INSTALLEZ PAS** la pompe dans un endroit désigné comme étant dangereux par le National Electrical Code, ANSI/NFPA et par le Code canadien de l'électricité.
- ◆ Pour un fonctionnement automatique, branchez ou câblez la pompe dans un interrupteur à flotteur automatique ou un contrôleur duplex. La pompe fonctionne de façon continue lorsqu'elle est branchée directement à une prise électrique.
- ◆ Connectez ou câblez la pompe à son propre circuit de dérivation individuel sans autre prise ni équipement dans le circuit. Dimensionnez les fusibles ou les disjoncteurs selon la liste des « Spécifications ».
- ◆ **▲ AVERTISSEMENT** **Risque de choc électrique et d'incendie. Peut causer des brûlures, la mort ou des dommages matériels.** Assurez-vous que l'information sur l'alimentation (tension/hertz/phase) figurant sur la plaque signalétique du moteur de la pompe correspond exactement à l'alimentation d'entrée.
- ◆ Installez la pompe conformément à tous les codes électriques applicables.

## AVERTISSEMENT CONCERNANT LA PROPOSITION 65 DE LA CALIFORNIE

**▲ AVERTISSEMENT** Ce produit et les accessoires connexes contiennent des produits chimiques considérés par l'État de la Californie comme pouvant causer le cancer, des anomalies congénitales ou d'autres troubles du système reproducteur.

## INSTALLATION

Cette pompe d'égout submersible est conçue pour l'élimination des effluents et des eaux usées, les applications d'eaux d'égout, la vidange des puisards, l'assèchement et le contrôle des inondations. Les appareils comprennent une protection intégrée contre les surcharges thermiques avec réinitialisation automatique. Le joint mécanique et les roulements de l'arbre du moteur sont lubrifiés de façon permanente. La quincaillerie en acier inoxydable et un anneau de levage robuste permettent un démontage facile après une utilisation prolongée.

Cet appareil n'est pas conçu pour être utilisé avec de l'eau salée ou de la saumure! L'utilisation avec de l'eau salée ou de la saumure annule la garantie.

### SPÉCIFICATIONS

Bloc d'alimentation requis.....115 V, 60 HZ.  
Cycle de service du moteur.....Intermittent  
Température max. du liquide.....140 °F (60 °C)  
Évacuation.....2 po NPT

### SPÉCIFICATIONS DU MOTEUR ET DU CORDON

NUMÉRO DE MODÈLE	HP	TENSION	INTERRUPTEUR	INTENSITÉ À PLEINE CHARGE	AMPÈRES DU CIRCUIT DE DÉRIVATION	LONGUEUR DU CORDON
SRM4D20	4/10	115	PD	13	20	20
SRM4M20	4/10	115	M	13	20	20
SRM4M220	4/10	230	M	6,5	15	20
SRM4T30	4/10	115	PT	13	20	30
SRM4T20	4/10	115	PT	13	20	20
SRM4T220	4/10	230	PT	6,5	15	20
SRM4V20	4/10	115	PV	13	20	20

### SPÉCIFICATIONS DE L'INTERRUPTEUR

TYPE	RÉGLAGE DU COMMUTATEUR EN POUCES (MM)	
	MARCHE	ARRÊT
Flotteur à grand angle	12 1/2 po (318)	6 1/2 po (165)
Vertical	8 15/16 po (227)	4 7/16 po (113)
Diaphragme	8 7/8 po (225)	4 1/4 po (108)

### PERFORMANCE

GAL/MIN À UNE ÉLÉVATION MAXIMALE EN PIEDS		
10 PI	15 PI	AUCUN DÉBIT À LA HAUTEUR INDIQUÉE CI-DESSOUS
72	27	19

## INSTALLATION

Installez la pompe sur une surface dure et plane (ciment, asphalte, etc.). Ne placez jamais la pompe directement sur une surface de terre, d'argile ou de gravier. Installez la pompe dans un bassin de puisard dont le diamètre minimal est d'au moins 18 po (46 cm).

## TUYAUTERIE

- La tuyauterie ne doit pas être plus petite que le refoulement de la pompe. Lorsqu'il est installé dans un système d'égouts, le tuyau doit être capable de traiter des semi-solides d'au moins 2 po (51 mm) de diamètre.
- Le débit dans le tuyau d'évacuation doit maintenir les solides présents en suspension dans le liquide. Pour répondre aux exigences de débit minimum (2 pieds par seconde dans la conduite d'évacuation), dimensionnez le tuyau comme suit :

UNE TAILLE DE TUYAU DE :	TRAITERA UN DÉBIT DE :
2 po (51 mm)	21 gal/min
2 1/2 po (64 mm)	30 gal/min
3 po (76 mm)	48 gal/min

- Dans un système d'égouts, utilisez un clapet de non-retour de 2 po (51 mm) ou plus dans le refoulement de la pompe pour empêcher le refoulement du liquide dans le bassin du puisard. Le clapet de non-retour doit être un clapet à écoulement libre qui laissera passer facilement les solides. Assurez-vous que le clapet de non-retour est installé conformément aux codes locaux.
- Pour une meilleure efficacité du clapet de non-retour lors du traitement des solides, ne pas l'installer avec le refoulement à plus de 45° par rapport à l'horizontale. N'installez pas le clapet de non-retour en position verticale puisque des solides pourraient se déposer dans le clapet et l'empêcher de s'ouvrir au démarrage.
- Percez un trou de 3/16 po (5 mm) dans le tuyau de refoulement environ 1 à 2 po (25 à 51 mm) au-dessus du raccord de refoulement de la pompe (mais sous le clapet de non-retour) pour éviter que la pompe ne soit bloquée par l'air.
- Veillez à ce que l'interrupteur à flotteur à grand angle pende librement. Il ne doit pas pouvoir entrer en contact avec les parois ou le fond du puisard.
- Assurez-vous que le puisard ne comporte aucun débris qui pourrait obstruer la volute d'admission ou l'interrupteur.
- Utilisez des matériaux de plomberie qui sont approuvés par les codes de bâtiment locaux pour le raccordement des tuyaux entre la pompe et le point de rejet de l'égout.
- En cas d'installation intérieure critique qui nécessite une protection contre les inondations, installez un signal d'alarme sonore, comme le système Q-Alert, dans le puisard. Pour une installation extérieure, communiquez avec votre distributeur.

# UTILISATIONS

## UTILISATIONS

- ◆ **⚠ AVERTISSEMENT** **Risque d'incendie ou d'explosion. Peut causer des blessures corporelles graves, des dommages matériels ou la mort. Ne pas utiliser dans des zones à atmosphère explosive.**
- ◆ Ne laissez pas fonctionner la pompe dans un bassin ou un réservoir sec. Cela annulera la garantie et pourrait endommager la pompe.
- ◆ Un dispositif de protection automatique contre les surcharges dans le moteur empêchera le moteur de brûler en raison d'une surchauffe ou d'une surcharge. Une fois le moteur refroidi, le dispositif de protection contre les surcharges se réinitialise automatiquement et démarre le moteur.
- ◆ Si le dispositif de protection contre les surcharges se déclenche fréquemment, recherchez-en la cause. Il peut s'agir d'une roue bloquée, d'une tension mauvaise/basse ou d'une panne électrique du moteur. Si vous soupçonnez une panne électrique du moteur, faites-le réparer par un réparateur qualifié.
- ◆ La pompe est lubrifiée en permanence. Aucun huilage ou graissage n'est requis.
- ◆ Faites fonctionner la pompe au moins une fois par mois pour vous assurer que le système fonctionne de manière satisfaisante.

Effectuer une des actions suivantes annulera la garantie :

1. Submerger, brancher, endommager ou fermer avec du ruban adhésif un cordon ventilé.
2. Utiliser des matériaux de pompage autres que ceux pour lesquels la pompe a été conçue, ou un pompage continu d'eau à une température plus élevée que 140°F (60°C).
3. Couper ou épisser un cordon d'alimentation ou un cordon d'interrupteur.
4. Le démontage de la pompe n'a pas été effectué par un technicien de service agréé Myers.
5. Retirer l'étiquette du cordon.

## ENTRETIEN

**⚠ AVERTISSEMENT** **Tension dangereuse et risque de dommages au cordon. Peut causer un choc électrique, des brûlures ou la mort.**


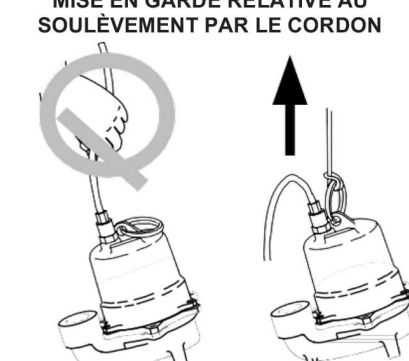
- ◆ Avant de retirer la pompe du bassin pour l'entretien, toujours débrancher l'alimentation électrique de la pompe et de l'interrupteur de commande.
- ◆ Ne pas soulever la pompe par le cordon d'alimentation. Voir « l'avertissement relatif au soulèvement par le cordon. »

## DÉSINFECTION DE LA POMPE

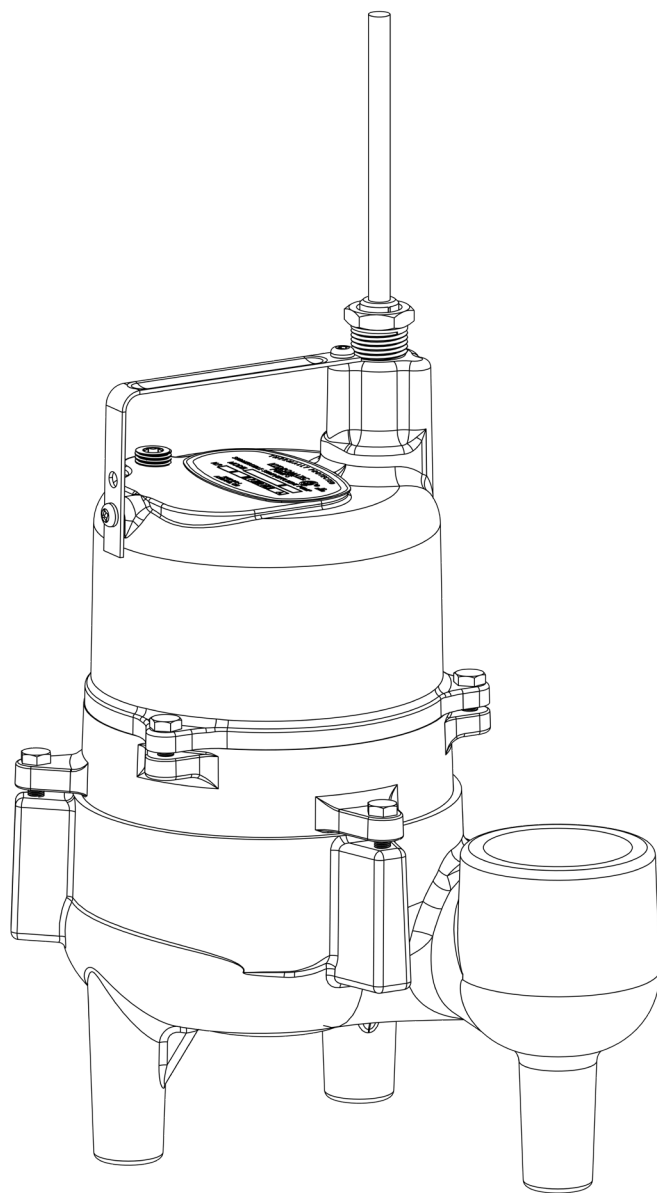
- ◆ Placer la pompe dans un endroit où elle peut être nettoyée en profondeur. Enlever tout le tartre et les dépôts sur la pompe. Submerger toute la pompe dans une solution désinfectante (javellisant au chlore) pendant au moins une heure avant de la démonter.
- ◆ Le boîtier du moteur de la pompe contient une huile lubrifiante particulière qui doit rester propre et sans débris en tout temps.
- ◆ Chaque fois que vous retirez le boîtier du moteur pour un entretien, retirer l'huile et la remplacer par de l'huile neuve au moment du remontage. Utiliser seulement l'huile qui est indiquée dans la liste des pièces de ce manuel.
- ◆ En faisant le remplissage avec de l'huile neuve, NE PAS trop remplir. Remplir avec de l'huile neuve jusqu'à ce que la surface de l'huile soit à 1/4 po au-dessus des enroulements du moteur.

## VÉRIFICATION DE LA MISE À LA TERRE DE LA POMPE

1. Régler le compteur à Rx100.
2. Joindre un fil conducteur à la tige de mise à la terre et l'autre fil conducteur à l'une des broches mince de la fiche. Répéter le processus pour l'autre broche.
3. La lecture doit indiquer la continuité pour les deux broches.
  - ◆ Si la lecture indique autre chose que la continuité, le stator doit être enlevé, séché et revérifié.
  - ◆ Une lecture de « 0 » indique un court-circuit franc. Remplacer la pompe.

 <p><b>MISE EN GARDE</b></p> <p>Risque de choc électrique. Peut causer des brûlures ou la mort. Ne pas soulever la pompe par le cordon d'alimentation.</p>	<p><b>MISE EN GARDE RELATIVE AU SOULÈVEMENT PAR LE CORDON</b></p> 	<ol style="list-style-type: none"><li>1. Tenter de soulever ou de soutenir la pompe par le cordon d'alimentation peut endommager le cordon et ses connexions.</li><li>2. Le cordon pourrait se déchirer et exposer des fils nus, entraînant un risque d'incendie ou un choc électrique.</li><li>3. Lever ou soutenir la pompe par le cordon d'alimentation annulera la garantie.</li><li>4. Utiliser l'anneau de levage ou la poignée sur le dessus de la pompe pour lever ou abaisser la pompe. Débrancher l'alimentation de la pompe avant d'effectuer tout travail sur la pompe ou de tenter de la déplacer.</li></ol>
---	---	---

# LISTE DES PIÈCES



LÉGENDE	DESCRIPTION DE LA PIÈCE	QTÉ	NUMÉRO DE PIÈCE
●	Interrupteur à diaphragme 115 V (20 pi)	1	DPSPD120-01
●	Interrupteur à flotteur à grand angle, 115 V 20 pi	1	139670201
●	Interrupteur à flotteur à grand angle, 115 V 30 pi	1	139670301
●	Interrupteur à flotteur à grand angle, 230 V 20 pi	1	139670251
●	Interrupteur vertical, 115 V 20 pi	1	26385A000

● Non illustré

\*Si le moteur tombe en panne, remplacer la pompe en entier.

# DÉPANNAGE

**⚠ AVERTISSEMENT Démarrages soudains.** Si la pompe est sous tension lorsque la surcharge thermique se réinitialise, la pompe pourrait démarrer sans avertissement. Si vous travaillez sur la pompe, vous risquez de subir un choc électrique ou la roue pourrait coincer vos doigts ou vos outils. Débranchez l'alimentation électrique avant de procéder à l'entretien de la pompe.

SYMPTÔME	MESURE CORRECTIVE
La pompe ne fonctionne pas.	<ul style="list-style-type: none"><li>◆ Assurez-vous que le cordon d'alimentation est correctement branché dans la prise ou correctement câblé dans le contrôleur ou le boîtier de commutation. Débranchez l'alimentation de la prise avant de manipuler la pompe ou le moteur.</li><li>◆ Assurez-vous que vous disposez d'une alimentation électrique.</li><li>◆ Vérifiez si le niveau de liquide est suffisamment élevé pour activer l'interrupteur ou le contrôleur.</li><li>◆ Assurez-vous que le trou d'aération de 1/8 po (3 mm) dans le tuyau d'évacuation n'est pas obstrué.</li><li>◆ Vérifiez si l'entrée de la pompe, la roue, le clapet de non-retour ou le tuyau d'évacuation sont obstrués.</li><li>◆ Débranchez la pompe de la source d'alimentation pendant au moins 30 minutes pour permettre au moteur de refroidir et pour vous protéger des démarrages soudains.</li><li>◆ Vérifiez la cause de la surchauffe. La pompe fonctionne à sec car l'interrupteur à flotteur est pris dans quelque chose. Le tuyau d'entrée est obstrué. Le tuyau de sortie est obstrué.</li><li>◆ Les enroulements du moteur pourraient être ouverts. Apportez l'unité à un centre de service agréé.</li></ul>
La pompe ne vide pas le bassin ou le réservoir.	<ul style="list-style-type: none"><li>◆ Assurez-vous que toutes les soupapes du tuyau d'évacuation sont complètement ouvertes.</li><li>◆ Nettoyez le tuyau d'évacuation et le clapet de non-retour.</li><li>◆ Vérifiez si l'entrée de la pompe ou la roue sont obstruées.</li><li>◆ La taille de la pompe n'est pas adéquate. Une pompe de plus grande capacité pourrait être requise.</li></ul>
La pompe ne veut pas s'éteindre.	<ul style="list-style-type: none"><li>◆ Vérifiez le bon fonctionnement et l'emplacement de l'interrupteur. Lisez les instructions d'installation de l'interrupteur.</li><li>◆ Si la pompe est totalement inopérante ou continue à tomber en panne, communiquez avec un technicien d'entretien de votre région.</li></ul>
La pompe fonctionne, mais ne fournit pas d'eau.	<ul style="list-style-type: none"><li>◆ Le clapet de non-retour pourrait être installé à l'envers. Assurez-vous que la flèche sur le clapet pointe dans le sens du débit.</li><li>◆ La pompe pourrait être bloquée par de l'air. Vérifiez le trou d'aération dans le boîtier de la roue.</li></ul>
Le fusible de la pompe fait sauter ou déclenche le disjoncteur.	<ul style="list-style-type: none"><li>◆ Vérifiez la taille du fusible.</li><li>◆ L'ouverture d'admission est bouchée. La roue est obstruée. La volute est obstruée.</li></ul>
Le moteur fonctionne pendant une courte durée et s'arrête.	<ul style="list-style-type: none"><li>◆ Le stator est défectueux. Apportez l'unité à un centre de service agréé.</li></ul>
La pompe fonctionne, mais ne fournit qu'une petite quantité d'eau.	<ul style="list-style-type: none"><li>◆ Allumez et fermez la pompe plusieurs fois en branchant et en débranchant le cordon.</li><li>◆ Dégagez le trou d'aération dans le boîtier de la roue.</li></ul>

## Garantie limitée

Myers garantit à l'acheteur initial (« l'acheteur » ou « vous ») des produits figurant ci-dessous qu'ils seront exempts de tout défaut de matériel et de fabrication pour la période de garantie indiquée ci-dessous.

### POMPES D'ÉGOUT

**NE PAS** retourner une pompe d'égout (si celle-ci a été installée) à votre magasin de détail. Les pompes d'égout qui ont été utilisées puis retirées présentent un risque de contamination. Si votre pompe d'égout est hors d'usage :

- ◆ Portez des gants de caoutchouc lorsque vous manipulez la pompe.
- ◆ À des fins de garantie, retournez l'étiquette du cordon de la pompe ainsi que le reçu d'achat original au magasin de détail.
- ◆ Mettez la pompe au rebut conformément aux règlements relatifs à l'élimination des déchets de votre région.

Communiquez avec le service à la clientèle de Pentair Myers au 1 888 987-8677.

### GARANTIE LIMITÉE DE VINGT-QUATRE (24) MOIS À PARTIR DE LA DATE D'ACHAT :

Produit	Modèle
Puisard	MSP33T10-R, MS50V10-R, MSC150V10-R, MSC175V10-R, MSZ100V10-R
Eaux résiduaires	ME40T20-R
Eaux usées	MSW50T10-R, MSWE5012P10-R, MSWKV75VT20-R, MSW50TBP-R
Utilitaire	MUCA25-R

Notre garantie s'applique uniquement quand ces produits sont utilisés conformément aux exigences du catalogue et/ou des manuels des produits concernés. Pour plus d'informations, consultez la garantie limitée standard applicable dans le manuel du produit.

Notre garantie ne s'applique pas aux produits qui, à notre seul avis, ont fait l'objet de négligence, d'une mauvaise utilisation, d'une mauvaise installation, d'une installation non conforme au manuel du propriétaire, de modifications non autorisées, d'une utilisation de pièces autres que des pièces de rechange d'origine MYERS, de dommages accidentels, d'un incendie, d'événements de force majeure, d'autres circonstances indépendantes de notre volonté ou d'un manque d'entretien adéquat. Veuillez noter que cette garantie limitée ne s'applique qu'aux défauts de fabrication, et non à l'usure normale. Tous les appareils mécaniques ont besoin de pièces de temps à autre et nécessitent un entretien périodique pour fonctionner correctement. Cette garantie limitée ne couvre pas la réparation lorsque l'utilisation normale a épuisé la vie utile d'une pièce ou de l'équipement. Sans limiter ce qui précède, l'utilisation d'un moteur triphasé avec une alimentation monophasée par l'intermédiaire d'un convertisseur de phase annulera la garantie. Veuillez également noter que les moteurs triphasés doivent être protégés par des relais de surcharge à trois branches, à compensation ambiante et à déclenchement extrarapide, du calibre recommandé, sans quoi la garantie est annulée.

Le reçu d'achat original et l'étiquette d'information sur la garantie du produit sont nécessaires pour déterminer l'admissibilité à la garantie. L'admissibilité dépend de la date d'achat initiale du produit d'origine, et non de la date de remplacement sous garantie. Votre seul recours en cas de défaut prouvé couvert par cette garantie et la seule responsabilité de MYERS sont que MYERS répare ou remplace les produits défectueux (au choix exclusif de MYERS). Vous devez payer tous les frais de main-d'œuvre et d'expédition associés à cette garantie et devez demander un service de garantie par l'intermédiaire du concessionnaire installateur dès qu'un problème est détecté. Aucune demande d'entretien ne sera acceptée si elle est reçue après l'expiration de la période de garantie. Cette garantie n'est pas transférable.

MYERS NE SERA TENUE RESPONSABLE D'AUCUN DOMMAGE CONSÉCUTIF, INDIRECT OU ACCESSOIRE, QUEL QU'IL SOIT.

LES GARANTIES LIMITÉES SUSMENTIONNÉES SONT LES SEULES GARANTIES OFFERTES ET REMPLACENT TOUTES LES AUTRES GARANTIES EXPRESSES ET IMPLICITES, Y COMPRIS, SANS S'Y LIMITER, LES GARANTIES IMPLICITES DE QUALITÉ MARCHANDE ET D'ADAPTATION À UN USAGE PARTICULIER. LES GARANTIES LIMITÉES QUI PRÉCÈDENT NE SE PROLONGENT PAS AU-DELÀ DE LA PÉRIODE PRÉVUE AUX PRÉSENTES.

Certains États ou provinces n'autorisent pas d'exclure ou de limiter les dommages fortuits ou indirects ou de limiter la durée d'une garantie implicite; il se peut donc que les limitations ou exclusions ci-dessus ne s'appliquent pas à votre cas. Cette garantie vous donne des droits légaux spécifiques et vous pourriez également avoir d'autres droits, qui varient d'un État à l'autre.

Aucun détaillant ni aucune autre personne n'a le pouvoir d'émettre des garanties différentes ou des déclarations concernant Pentair ou ses produits. Pentair ni aucune de ses entités ne peuvent être tenues responsables de telles garanties ou déclarations.

La présente garantie limitée entre en vigueur le 1er octobre 2020 et remplace toutes les garanties non datées ainsi que les garanties antérieures au 1<sup>er</sup> octobre 2020.

### F.E. MYERS

293 Wright Street, Delavan, WI 53115

Téléphone : 888 987-8677 • Télécopieur : 800 426-9446 • [PENTAIR.COM/MYERS](http://PENTAIR.COM/MYERS)

Au Canada : 490 Pinebush Road, Unit 4, Cambridge, Ontario N1T 0A5

Téléphone : 800 363-7867 • Télécopieur : 888 606-5484



É.-U. : 293 Wright St  
Delavan, WI 53115  
Tél. : 888 987-8677  
Télec. : 800 426-9446

Canada : 490 PINEBUSH RD, UNIT 4  
CAMBRIDGE, ONTARIO N1T 0A5  
Tél. : 800 363-7867  
Télec. : 888 606-5484

[pentair.com](http://pentair.com)

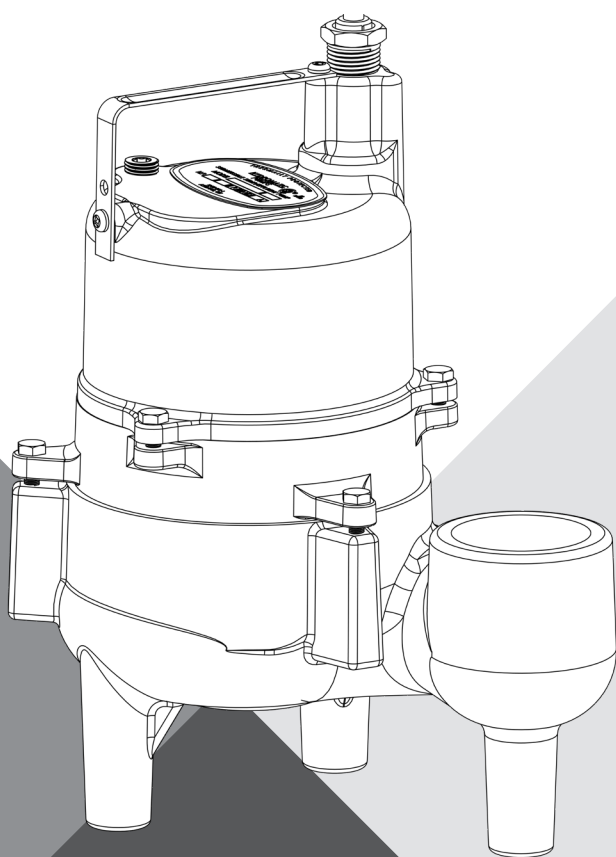
Toutes les marques de commerce et tous les logos Pentair indiqués appartiennent à Pentair. Les marques de commerce et les logos déposés et non déposés de tiers appartiennent à leurs propriétaires respectifs. Comme Pentair cherche constamment à améliorer ses produits et ses services, elle se réserve le droit d'en modifier les spécifications sans préavis. Pentair est un employeur offrant l'égalité professionnelle.





# BOMBA SUMERGIBLE PARA AGUAS RESIDUALES

SRM4 SERIE



## MANUAL DE INSTALACIÓN Y FUNCIONAMIENTO

[pentair.com](http://pentair.com)

# ÍNDICE

---

Instrucciones de seguridad.....	19
Instalación .....	20
Funcionamiento.....	21
Lista de partes de repuesto.....	22
Resolución de problemas.....	23
Garantía.....	24

# INSTRUCCIONES DE SEGURIDAD

## IMPORTANTE

GUARDE ESTAS INSTRUCCIONES: Este manual contiene instrucciones importantes que se deben seguir durante la instalación, el funcionamiento y el mantenimiento del producto. Lea y siga cuidadosamente todas las instrucciones de seguridad en este manual.

**▲ PELIGRO** Indica un peligro que, si no se evita, *ocasionará* la muerte o una lesión grave.

**▲ ADVERTENCIA** Indica un peligro que, si no se evita, *puede* ocasionar la muerte o una lesión grave.

**▲ PRECAUCIÓN** Indica un peligro que, si no se evita, *puede* ocasionar una lesión menor o moderada.

**NOTA:** Menciona prácticas que no están relacionadas con lesiones personales.

## INSTRUCCIONES DE SEGURIDAD

- ◆ **▲ ADVERTENCIA** **Voltaje peligroso. Puede producirse una descarga eléctrica que resultaría grave o fatal.** No enchufe ni desenchufe si está parado sobre una superficie húmeda o en agua. Si no sigue esta advertencia, se puede producir una descarga eléctrica fatal.
- ◆ **▲ ADVERTENCIA** **Riesgo de descarga eléctrica.** No levante la bomba desde el cable de electricidad, levántela solo por el tubo de descarga, el anillo para levantarla o la manija de la bomba. Si la levanta desde el cable, este se puede dañar.
- ◆ No fume ni use dispositivos que puedan provocar chispas en un entorno séptico (gaseoso).
- ◆ Desconecte la alimentación a la caja del tomacorrientes antes de desenchufar la bomba.
- ◆ Tenga sumo cuidado cuando cambie los fusibles. No se pare en agua ni ponga sus dedos en la caja de fusibles.
- ◆ Verifique que la estructura y el acceso a los sumideros sépticos cumplan con los requisitos de OSHA (Administración de Seguridad y Salud Ocupacional).
- ◆ No ponga en funcionamiento la bomba en seco. El funcionamiento en seco recalienta la bomba (puede quemar a quien la manipule) e invalida la garantía.
- ◆ Por lo general, la bomba se calienta cuando está en funcionamiento. Para evitar quemaduras cuando hace el servicio de mantenimiento de la bomba, apáguela y deje que se enfríe durante 20 minutos antes de manipularla.
- ◆ La bomba está permanentemente lubricada. No es necesario aceitarla ni engrasarla en el funcionamiento normal. Para hacer una revisión, consulte las instrucciones en "Servicio".
- ◆ Descargue las aguas residuales o la cámara séptica de acuerdo con los códigos locales.
- ◆ Esta unidad no está diseñada para aplicaciones con agua salada o salmuera. Si la usa con agua salada o salmuera, la garantía quedará anulada.

## ELECTRICIDAD

- ◆ **NO** empalme el cable de alimentación eléctrica. No modifique el cable ni el enchufe. Cuando use el cable y el enchufe, utilice únicamente un tomacorriente con conexión a tierra. Cuando instale el cableado a un control del sistema, conecte el conductor a tierra de la bomba a la tierra del sistema.
- ◆ **NO** permita que el enchufe del cable de alimentación eléctrica esté sumergido.
- ◆ **NO** use cables de extensión. Ese tipo de cables constituyen un riesgo de incendio y pueden reducir el voltaje lo suficiente como para impedir el bombeo y/o dañar el motor.
- ◆ **NO** manipule la bomba ni le dé servicio de mantenimiento mientras está conectada al suministro de energía.
- ◆ **NO** quite la conexión a tierra del enchufe ni modifique el enchufe. A modo de protección contra choques eléctricos, el cable de alimentación tiene tres conductores e incluye un enchufe de conexión a tierra de 3 terminales. Enchufe la bomba en un receptáculo con conexión a tierra de 3 conductores. Conecte la bomba según el Código Nacional de Electricidad (NEC) o el Código de Electricidad de Canadá (CEC) y los códigos locales.
- ◆ **NO** instale la bomba en un lugar que el Código Nacional de Electricidad, ANSI/NFPA o el Código de Electricidad de Canadá clasifiquen como peligro.
- ◆ Para un funcionamiento automático, enchufe o conecte la bomba a un interruptor flotante automático o controlador doble. La bomba funcionará de manera continua cuando se enchufe directamente a una salida eléctrica.
- ◆ Conecte la bomba a su propio circuito de derivación individual, sin otras salidas o equipos en el circuito. Ajuste el tamaño de los fusibles o interruptores según la lista de "Especificaciones".
- ◆ **▲ ADVERTENCIA** **Riesgo de descarga eléctrica e incendio. Puede quemar, matar u ocasionar daño a la propiedad.** Verifique que la información del suministro de electricidad (voltaje/Hertz/fase) en la placa de identificación del motor de la bomba coincida exactamente con el suministro de alimentación de entrada.
- ◆ Instale la bomba respetando todos los códigos de electricidad correspondientes.

## ADVERTENCIA DE LA PROPUESTA 65 DE CALIFORNIA

**▲ ADVERTENCIA** Este producto y los accesorios relacionados contienen químicos que, según el estado de California, pueden causar cáncer, defectos de nacimiento u otros daños reproductivos.

# INSTALACIÓN

Esta bomba sumergible para aguas residuales está diseñada para la eliminación de aguas residuales, aplicaciones de aguas residuales, drenaje del sumidero, desagüe y control de inundación residenciales. Las unidades tienen protección contra sobrecarga térmica incorporada de reinicio automático. El sello mecánico y los cojinetes de bolas en el eje del motor están lubricados de manera permanente. Los herrajes de acero inoxidable y la manija de elevación de gran resistencia permiten el fácil desmontaje después de un uso prolongado.

Esta unidad no está diseñada para aplicaciones con agua salada o salmuera. Si la usa con agua salada o salmuera, la garantía quedará anulada.

## ESPECIFICACIONES

Fuente de alimentación requerida.....115 V, 60 HZ.  
 Funcionamiento del Motor.....Intermitente  
 Temp. Máx. de Líquidos.....140 °F (60 °C)"  
 Descarga.....NPT de 2"

## ESPECIFICACIONES DEL CABLE Y DEL MOTOR

NÚMERO DE MODELO	HP	VOLTAJE	INTERRUPTOR	AMP. CARGA	AMPERIOS DEL CIRCUITO DE DERIVACIÓN	LONGITUD DEL CABLE
SRM4D 20	4/10	115	PD	13	20	20
SRM4M 20	4/10	115	M	13	20	20
SRM4M2 20	4/10	230	M	6.5	15	20
SRM4T 30	4/10	115	PT	13	20	30
SRM4T 20	4/10	115	PT	13	20	20
SRM4T2 20	4/10	230	PT	6.5	15	20
SRM4V 20	4/10	115	PV	13	20	20

## ESPECIFICACIONES DEL INTERRUPTOR

TIPO	CONFIGURACIÓN DEL INTERRUPTOR EN PULGADAS (MM)	
	ENCENDIDO	APAGADO
Flotante de gran ángulo	12-1/2" (318)	6-1/2" (165)
Vertical	8-15/16 (227)	4-7/16 (113)
Diafragma	8-7/8 (225)	4-1/4 (108)

## RENDIMIENTO

GPM AL TOTAL DE PIES DE ELEVACIÓN		
10'	15'	SE MUESTRA LA FALTA DE FLUJO EN LA SIGUIENTE ALTURA
72	27	19

## INSTALACIÓN

Instale la bomba en una superficie rígida y nivelada (cemento, asfalto, etc.). No coloque la bomba directamente sobre superficies de tierra, arcilla o grava. Instale la bomba en la fosa séptica con un diámetro mínimo de 18" (46 cm).

## TUBERÍA

- La tubería no debe ser más pequeña que la descarga de la bomba. Al instalarla en un sistema de aguas residuales, la tubería debe ser capaz de manejar semisólidos de al menos 2" (51 mm) de diámetro.
- El índice de flujo en la tubería de descarga debe mantener todos los sólidos presentes en suspensión en el líquido. Para cumplir con los requisitos mínimos de flujo (2 pies por segundo en la línea de descarga), el tamaño de la tubería es:

UN TUBO DE	SOPORTARÁ UN FLUJO DE AGUA DE
2" (51 mm)	21 GPM
2-1/2" (64 mm)	30 GPM
3" (76 mm)	48 GPM

- En un sistema de aguas residuales, use una válvula de retención de 2" (51 mm) o más grande en la descarga de la bomba para evitar que el refluo de líquido ingrese en la fosa séptica. La válvula de retención debe ser una válvula de flujo libre que pasará sólidos con facilidad. Asegúrese de que la instalación de la válvula de retención cumpla con los códigos locales.
- Para el óptimo rendimiento de la válvula de retención al manejar sólidos, no la instale con la descarga más de 45° por encima del horizontal. No instale la válvula de retención en posición vertical, ya que los sólidos pueden asentarse en la válvula y evitar que se abra o arranque.
- Para evitar que se formen bloqueos de aire en la bomba, perforo un orificio de 3/16" (5 mm) en el tubo de descarga, aproximadamente a 1-2" (25-51 mm) por encima de la conexión de descarga de la bomba (pero por debajo de la válvula de retención).
- Verifique que el interruptor flotante de gran ángulo cuelgue libremente. No debería estar en contacto con los laterales o la parte inferior de depósito del sumidero.
- Verifique que el depósito del sumidero no contenga desechos que puedan obstruir el interruptor o la voluta de entrada.
- Utilice materiales de tuberías aprobados por los códigos locales de construcción al conectar tubos entre la bomba y la salida del drenaje.
- Para instalaciones críticas en interiores donde se desea una protección en condiciones de alto flujo de agua, instale un sistema de alarma sonoro "Q-Alert" en el depósito del sumidero. Para instalaciones en exteriores, consulte con su distribuidor.

# FUNCIONAMIENTO

## FUNCIONAMIENTO

- ◆ **⚠ ADVERTENCIA** **Riesgo de incendio o explosión. Puede causar lesiones personales graves, daños a la propiedad o incluso la muerte. No la use en entornos explosivos.**
- ◆ No permita que la bomba funcione en un tanque o fosa secos. Anulará la garantía y se puede dañar la bomba.
- ◆ Un protector contra sobrecargas automático en el motor lo protegerá contra quemaduras debido a sobrecalentamiento/sobrecarga. Cuando el motor se enfríe, el protector contra sobrecarga se reiniciará de manera automática y se encenderá el motor.
- ◆ Si la sobrecarga salta con frecuencia, verifique la causa. Puede ser un impulsor atascado, voltaje bajo/incorrecto o una falla eléctrica en el motor. Si se sospecha de una falla eléctrica en el motor, permita que un técnico calificado lo revise.
- ◆ La bomba está permanentemente lubricada. No es necesario aceitarla ni engrasarla.
- ◆ Revise la bomba al menos una vez al mes para asegurarse de que el sistema funcione en forma satisfactoria.

Cualquiera de las siguientes acciones anulará la garantía de la bomba:

1. Sumergir, tapar, dañar o sellar con cinta un cable ventilado.
2. Bombear materiales distintos de aquellos para los que la bomba fue diseñada para bombear o bombear constantemente agua a una temperatura superior a los 140 °F (60 °C).
3. Cortar o empalmar un cable de alimentación o de interruptor.
4. Ser desmantelada por un técnico que no sea del servicio Myers autorizado.
5. Quitar la etiqueta del cable.

## SERVICIO

**⚠ ADVERTENCIA** **Voltaje peligroso y riesgo de daño del cable. Puede provocar descargas eléctricas, quemaduras o la muerte.**


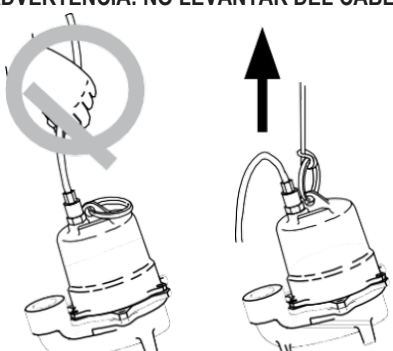
- ◆ Antes de quitar la bomba de la fosa para que le realicen el mantenimiento, siempre desconecte la alimentación eléctrica de la bomba y del interruptor de control.
- ◆ No levante la bomba desde el cable de alimentación. Observe la "Advertencia al levantar la bomba desde el cable".

### DESINFECTE LA BOMBA

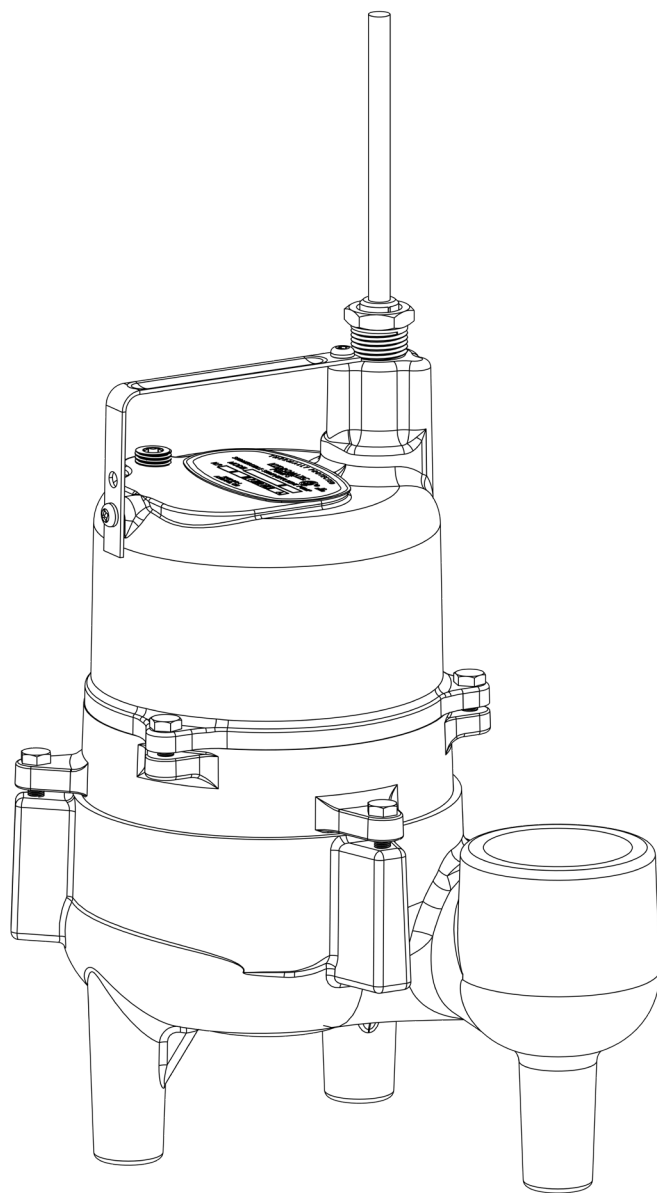
- ◆ Coloque la bomba en un lugar en el que se pueda limpiar cuidadosamente. Retire el sarro y sedimentos de la bomba. Sumerja toda la bomba en una solución desinfectante (blanqueador de cloro) por al menos una hora antes de desarmar la bomba.
- ◆ La carcasa del motor de la bomba contiene un aceite lubricante especial que debe mantenerse limpio y sin contenido de agua en todo momento.
- ◆ Siempre que retire la carcasa del motor para realizar un mantenimiento, retire el aceite y reemplácelo con aceite nuevo al volver a armarlo. Use solo el aceite mencionado en la lista de partes de este manual.
- ◆ Al llenar con el aceite nuevo, NO llenar en exceso. Llene con aceite nuevo hasta cubrir 1/4" por encima de las bobinas del motor.

### VERIFIQUE LA CONEXIÓN A TIERRA DE LA BOMBA

1. Configure el medidor en Rx100.
2. Con un extremo toque la conexión a tierra y con el otro extremo toque una clavija plana del enchufe. Repita con la otra clavija.
3. La lectura debe ser infinito para ambas clavijas.
  - ◆ En caso de que el valor de la lectura no sea infinito, se debe retirar el estátor, secar y volver a verificar.
  - ◆ Si la lectura es "0" indica un cortocircuito. Reemplace la bomba.

 <p><b>⚠ ADVERTENCIA</b></p> <p>Riesgo de descarga eléctrica. Puede ocasionar quemaduras</p>	<p><b>ADVERTENCIA: NO LEVANTAR DEL CABLE</b></p> 	<ol style="list-style-type: none"><li>1. Intentar levantar o sostener la bomba por el cable de alimentación puede dañar el cable y las conexiones del cable.</li><li>2. El cable se podría romper y dejar expuestos los filamentos pelados, lo cual podría ocasionar incendios o descargas eléctricas.</li><li>3. Levantar o sostener la bomba por el cable de alimentación anulará la garantía.</li><li>4. Use el aro o la manija en la parte superior de la bomba siempre que quiera levantar o bajar la bomba. Desconecte la alimentación hacia la bomba antes de hacer alguna tarea de mantenimiento o intentar retirar la bomba.</li></ol>
---	--	---

## LISTA DE PARTES DE REPUESTO



N.º DE REFERENCIA	DESCRIPCIÓN DE LA PARTE	CANT.	NÚMERO DE PARTE
●	Interrupor de diafragma, 115V 20'	1	DPSPD120-01
●	Interrupor flotante de gran ángulo, 115V 20'	1	139670201
●	Interrupor flotante de gran ángulo, 115 V 30'	1	139670301
●	Interrupor flotante de gran ángulo, 230 V 20'	1	139670251
●	Interrupor vertical, 115V 20'	1	26385A000

● Sin ilustrar

\*Si el motor falla, reemplazar toda la bomba.

## RESOLUCIÓN DE PROBLEMAS

**⚠ ADVERTENCIA** **Inicios repentinos.** Si la bomba recibe alimentación eléctrica cuando se reinicia la sobrecarga térmica, es posible encender la bomba sin advertencias. Si está realizando tareas de mantenimiento en la bomba, es posible que reciba una descarga eléctrica o que los dedos o las herramientas queden atrapados en el impulsor. Desconecte la alimentación eléctrica antes de realizar el servicio de mantenimiento en la bomba.

SÍNTOMA	MEDIDA CORRECTIVA
La bomba no funciona.	<ul style="list-style-type: none"> <li>◆ Asegúrese de que el cable de alimentación esté enchufado de manera segura en el tomacorrientes o conectado en el controlador o caja de interruptor. Desconecte de la alimentación antes de manipular la bomba o el motor.</li> <li>◆ Asegúrese de tener alimentación eléctrica.</li> <li>◆ Asegúrese de que el nivel de líquidos es lo suficientemente alto como para activar el interruptor o controlador.</li> <li>◆ Asegúrese de que el orificio de ventilación de 1/8" (3 mm) en el tubo de descarga no esté tapado.</li> <li>◆ Verifique que no haya bloqueos en la entrada de la bomba, el impulsor, la válvula de retención o el tubo de descarga.</li> <li>◆ Desconecte la bomba de la fuente de alimentación durante un mínimo de 30 minutos para permitirle al motor que se enfríe y para protegerse a usted mismo de los arranques repentinos.</li> <li>◆ Verifique la causa del sobrecalentamiento. La bomba está funcionando en seco porque el interruptor flotante está atascado con algo. La tubería de entrada está tapada. La tubería de salida está tapada.</li> <li>◆ Las bobinas del motor pueden estar abiertas. Lleve la unidad al centro de servicio autorizado.</li> </ul>
La bomba no vacía el tanque/sumidero.	<ul style="list-style-type: none"> <li>◆ Asegúrese de que todas las válvulas del tubo de descarga estén completamente abiertas.</li> <li>◆ Limpie la tubería de descarga y la válvula de retención.</li> <li>◆ Revise si hay elementos que bloquean la entrada de la bomba o el impulsor.</li> <li>◆ La bomba no tiene el tamaño adecuado. Es posible que se requiera una bomba de mayor capacidad.</li> </ul>
La bomba no se apaga.	<ul style="list-style-type: none"> <li>◆ Verifique la ubicación y el funcionamiento del interruptor. Consulte las instrucciones de instalación del interruptor.</li> <li>◆ Si la bomba no funciona por completo o continua funcionando mal, consulte al servicio técnico local.</li> </ul>
La bomba funciona pero no saca agua.	<ul style="list-style-type: none"> <li>◆ Verifique que la válvula no esté instalada hacia atrás. Asegúrese de que la flecha de la válvula esté en la dirección del flujo.</li> <li>◆ La bomba puede tener un bloqueo por aire. Verifique el orificio de ventilación en la carcasa del impulsor.</li> </ul>
El fusible de la bomba se quemó o falla el interruptor del circuito.	<ul style="list-style-type: none"> <li>◆ Verifique el tamaño del fusible.</li> <li>◆ La abertura de entrada está tapada. El impulsor está obstruido. Voluta obstruida.</li> </ul>
El motor funciona poco tiempo y se detiene.	<ul style="list-style-type: none"> <li>◆ Estátor defectuoso. Lleve la unidad al centro de servicio autorizado.</li> </ul>
La bomba funciona pero saca poca cantidad de agua.	<ul style="list-style-type: none"> <li>◆ Encienda y detenga la bomba varias veces enchufando y desenchufándola.</li> <li>◆ Libere el orificio de ventilación en la cavidad del impulsor.</li> </ul>

## Garantía limitada

Myers garantiza al comprador original ("Comprador" o "Usted") que los productos que figuran a continuación se entregan sin defectos en los materiales y la mano de obra, y tienen el Período de Garantía que se especifica a continuación.

### BOMBAS PARA AGUAS RESIDUALES

**NO** devuelva a una tienda minorista una bomba para aguas residuales (que haya sido instalada). Las bombas para aguas residuales que hayan estado en funcionamiento y hayan sido extraídas, representan un peligro de contaminación. Si su bomba para aguas residuales presenta fallas:

- ◆ Use guantes de goma al manipular la bomba.
- ◆ Por cuestiones de la garantía, devuelva la etiqueta del cable de la bomba y el recibo de compra original a la tienda.
- ◆ Deshágase de la bomba de conformidad con las ordenanzas locales de eliminación de desechos.

Comuníquese con Servicio al Cliente de Pentair Myers al 1-888-987-8677.

### GARANTÍA LIMITADA DE VEINTICUATRO (24) MESES DESDE LA FECHA DE COMPRA:

Producto	Modelo
Sumidero	MSP33T10-R, MS50V10-R, MSC150V10-R, MSC175V10-R, MSZ100V10-R
Efluente	ME40T20-R
Aguas residuales	MSW50T10-R, MSWE5012P10-R, MSWKV75VT20-R, MSW50TBP-R
Uso general	MUCA25-R

Nuestra garantía solo tiene validez si los productos se usan de conformidad con los requisitos que figuran en el catálogo y/o los manuales del producto correspondiente. Para obtener información adicional, consulte la garantía limitada estándar correspondiente, incluida en el manual del producto.

Nuestra garantía no cubre ningún producto que, a nuestro exclusivo criterio, haya sido sometido a uso negligente, aplicación incorrecta, instalación inadecuada, instalación sin seguir el manual del propietario, modificaciones del producto no autorizadas, uso de partes de repuesto que no sean originales de MYERS, daños accidentales, incendios, casos de fuerza mayor u otras circunstancias fuera de nuestro control, o a mantenimiento inadecuado. Tenga en cuenta que esta garantía limitada se aplica solo a defectos de fábrica y no al uso y desgaste habitual. Todos los dispositivos mecánicos necesitan de mantenimiento periódico y de las partes necesarias para tener un buen funcionamiento. Esta garantía limitada no cubre reparaciones cuando el uso normal ha agotado la duración de una parte o del equipo. Sin limitar lo que antecede, la operación de un motor trifásico con una fuente de alimentación monofásica a través de un convertidor de fase anulará la garantía. Tenga en cuenta también que los motores trifásicos deben tener la protección de relés de sobrecarga de disparo extrarrápido con compensación ambiental de tres etapas, del tamaño recomendado, o la garantía quedará invalidada.

Se requieren el recibo de compra original y la información de garantía del producto para determinar la elegibilidad de la garantía. La elegibilidad se basa en la fecha de compra del producto original, no en la fecha de reemplazo que figura en la garantía. Su único recurso para defectos comprobados que están cubiertos por esta garantía, y la única obligación de MYERS, es que MYERS repare o reemplace los productos defectuosos (a elección de MYERS). Debe pagar todos los cargos de mano de obra y envío asociados a esta garantía y debe solicitar el servicio bajo garantía a través del distribuidor instalador tan pronto como detecte el problema. No se aceptará ninguna solicitud de servicio recibida una vez vencido el Período de Garantía. Esta garantía no es transferible.

MYERS NO SERÁ RESPONSABLE DE DAÑOS INDIRECTOS, INCIDENTALES NI CONTINGENTES DE NINGÚN TIPO.

LAS GARANTÍAS LIMITADAS MENCIONADAS EN EL PRESENTE SON EXCLUSIVAS Y REEMPLAZAN CUALQUIER OTRA GARANTÍA EXPRESA O IMPLÍCITA, INCLUIDAS, ENTRE OTRAS, GARANTÍAS IMPLÍCITAS DE COMERCIABILIDAD E IDONEIDAD PARA UN FIN ESPECÍFICO. LAS GARANTÍAS LIMITADAS MENCIONADAS EN PÁRRAFOS ANTERIORES NO SE EXTENDERÁN MÁS ALLÁ DE LA DURACIÓN ESTABLECIDA EN EL PRESENTE.

Algunos estados no permiten la exclusión o limitación de los daños indirectos o incidentales ni limitaciones sobre la duración de la garantía implícita, de modo que es posible que las limitaciones o exclusiones detalladas anteriormente no se apliquen a Usted. Esta garantía le otorga derechos legales específicos y es posible que también tenga otros derechos, que varían según el estado.

Ningún distribuidor ni ninguna otra persona tiene la autoridad para dar garantías o hacer declaraciones distintas relacionadas con Pentair o con los productos de Pentair. En consecuencia, ni Pentair ni sus entidades son responsables por dichas garantías o declaraciones.

Esta Garantía limitada tiene vigencia a partir del 1 de octubre de 2020 y reemplaza a todas las garantías sin fecha, y las garantías con fechas anteriores al 1 de octubre de 2020.

**F.E. MYERS**

**293 Wright Street, Delavan, WI 53115**

**Teléfono: 888-987-8677 • Fax: 800-426-9446 • PENTAIR.COM/MYERS**

**En Canadá: 490 Pinebush Road, Unit 4, Cambridge, Ontario N1T 0A5**

**Teléfono: 800-363-7867 • Fax: 888-606-5484**



EE. UU.: 293 Wright St  
Delavan, WI 53115  
Tel.: 888.987.8677  
Fax: 800.426.9446

Canadá: 490 Pinebush Rd, Unit 4  
Cambridge, Ontario Nit Oa5  
Tel.: 800.363.7867  
Fax: 888.606.5484

[pentair.com](http://pentair.com)

Todas las marcas comerciales y logotipos de Pentair mencionados son propiedad de Pentair. Las marcas comerciales y los logotipos registrados y no registrados de terceros son propiedad de sus respectivos titulares. Debido a que mejoramos continuamente nuestros productos y servicios, Pentair se reserva el derecho de modificar las especificaciones sin previo aviso. Pentair es un empleador que ofrece igualdad de oportunidades.