

# SUBMERSIBLE HIGH HEAD SEWAGE EJECTOR PUMP

## MSKHS SERIES

The Myers MSKHS Series Submersible Sewage Ejector Pump is specifically designed to meet the demands of wastewater and sewage handling in residential and commercial building applications. The powerful motor is available in 1/2HP, 1-1/2HP, or 2HP while the pump itself comes standard with a 2" NPT discharge or an optional 3" discharge.

### APPLICATIONS

Residential and commercial sewage.

### FEATURES

- ◆ The MSKHS50 handles capacities up to 138 gallons per minute and heads to 45 feet, while the MSKHS100 handles capacities up to 138 gallons per minute and heads to 58 feet. The MSKHS150 handles capacities up to 138 gallons per minute and heads to 70 feet, while the MSKHS200 handles capacities up to 138 gallons per minute and heads to 80 feet.
- ◆ The MSKHS series feature a heavy duty cast iron construction that provides durability in rugged applications, as well as assisting in dissipating heat from the motor, for cooler operation.
- ◆ The MSKHS series two-vane, semi-open cast iron impeller, which is threaded to a stainless steel shaft, handles applications involving higher capacities and heads; and is capable of handling up to 2 inch spherical solids and lint.
- ◆ The MSKHS series also features a precision carbon and ceramic-faced mechanical shaft seal that is extensively lapped, providing for a long, leak proof life.
- ◆ The MSKHS series pumps have an oil-filled motor that provides superior cooling characteristics, allowing the motor to run cool and quiet for years. This oil-filled design also provides permanent lubrication of the shaft bearings, minimizing maintenance and extending the service life of the pump.
- ◆ To protect against overheating, single-phase motor windings contain an automatic reset thermal overload; three phase motors require a magnetic starter with overload protection located in the accessory control panel.

### SPECIFICATIONS

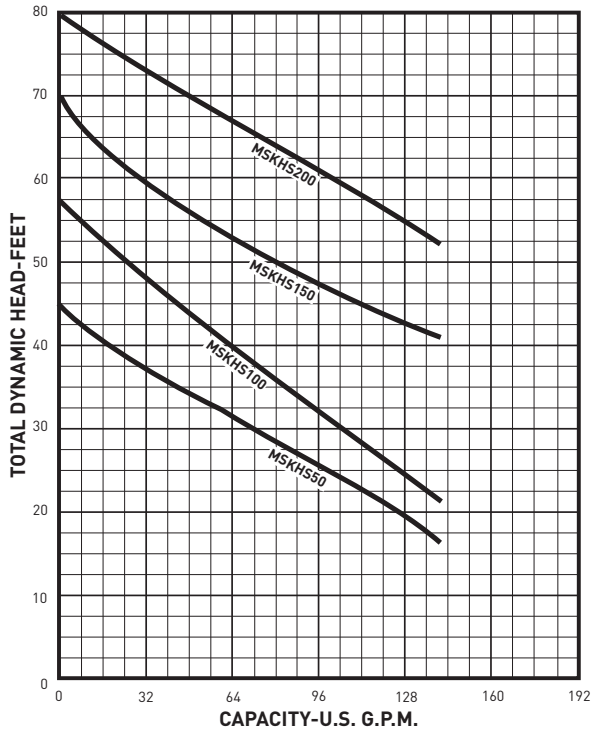
- ◆ **Power Cord:** Water-resistant with molded plug comes in 20 or 30 foot lengths
- ◆ **Available Horsepower:** 1/2, 1, 1-1/2, 2
- ◆ **Handle:** Steel
- ◆ **Lubricating Oil:** Dielectric oil
- ◆ **Motor Housing:** Cast iron
- ◆ **Pump Volute:** Cast iron
- ◆ **Shaft:** Stainless steel
- ◆ **Mechanical Shaft Seal:** Seal Faces = Carbon/Ceramic; Spring = Stainless steel; Bellows = Buna-N
- ◆ **Impeller:** Cast iron
- ◆ **Upper Bearing:** Single row ball bearing
- ◆ **Lower Bearing:** Single row ball bearing
- ◆ **Fastener:** Stainless steel



Tested & Certified to UL778  
and CSA 108.  
**3 Year Warranty**

# SUBMERSIBLE HIGH HEAD SEWAGE EJECTOR PUMP MSKHS SERIES

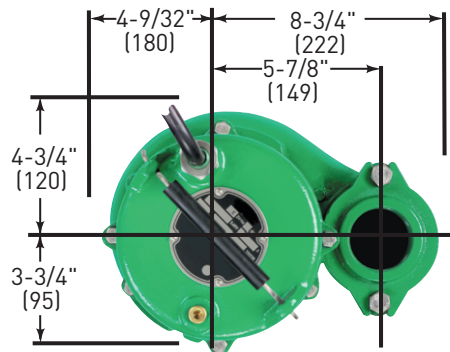
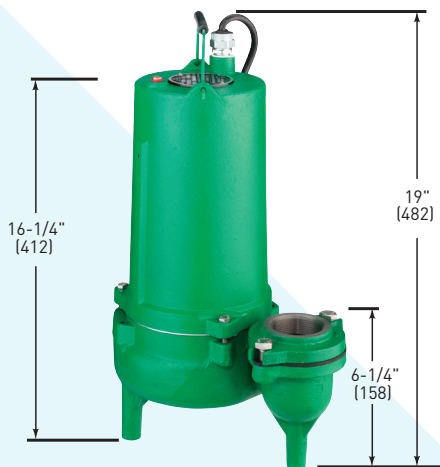
## PUMP PERFORMANCE



## PERFORMANCE DATA

PUMP/MOTOR UNIT	SUBMERSIBLE					
<b>MODEL</b>	<b>MSKHS50</b>					
Manual Models	M1	M2	M6	M3	M4	M5
Horsepower	1/2					
Full Load Amps	14.2	8.3	6.6	6.0	3.0	2.4
Motor Type	Cap Start			3Ø		
<b>MODEL</b>	<b>MSKHS100</b>					
Manual Models	—	M2	M6	M3	M4	M5
Horsepower	1					
Full Load Amps	—	11.4	8.8	8.0	4.0	3.2
Motor Type	Cap Start			3Ø		
<b>MODEL</b>	<b>MSKHS150</b>					
Manual Models	—	M2	M6	M3	M4	M5
Horsepower	1-1/2					
Full Load Amps	—	13.9	8.5	7.6	3.9	3.1
Motor Type	Cap Start			3Ø		
<b>MODEL</b>	<b>MSKHS200</b>					
Manual Models	—	M2	M6	M3	M4	M5
Horsepower	2					
Full Load Amps	—	18	10.4	9.2	4.6	3.7
Motor Type	Cap Start			3Ø		
R.P.M.	3450					
Phase Ø	1			3		
Voltage	115	230	208	230	460	575
Hertz	60					
Operation	Intermittent					
Temperature	140°F					
NEMA Design	Class B					
Insulation	A					
Discharge Size	2" NPT std. (3" opt.)					
Solids Handling	2"					
Unit Weight	71 lbs.					
Power Cord	14/3, SJTW, 1Ø, 20' std. • 16/4, STWA, 3Ø, 20' std.					

## DIMENSIONAL DATA



All dimensions in inches. Metric for international use. Component dimensions may vary ± 1/8 inch. Dimensional data not for construction purpose unless certified. Dimensions and weights are approximate. On/Off level adjustable.

ORDERING INFORMATION

MODEL NUMBER	ENGINEERING NUMBER	HP	MAX CAPACITY	MAX HEAD	DISCHARGE NPT	SOLIDS HANDLING	VOLTS	FULL LOAD AMPS	PHASE	CORD LENGTH	SWITCH
MSKHS50M1 20	28220D000	1/2	138	45	2" or 3"	2"	115	14.2	1	20'	M
MSKHS50A1 20	28220D002	1/2	138	45	2" or 3"	2"	115	14.2	1	20'	PT
MSKHS50M2 20	28220D003	1/2	138	45	2" or 3"	2"	230	8.3	1	20'	M
MSKHS50A2 20	28220D005	1/2	138	45	2" or 3"	2"	230	8.3	1	20'	PT
MSKHS50A7 20	28220D006	1/2	138	45	2" or 3"	2"	200	9.2	1	20'	PT
MSKHS50M3 20	28220D007	1/2	138	45	2" or 3"	2"	230	6.0	3	20'	M
MSKHS50M3 30	28220D008	1/2	138	45	2" or 3"	2"	230	6.0	3	30'	M
MSKHS50M4 20	28220D009	1/2	138	45	2" or 3"	2"	460	3.0	3	20'	M
MSKHS50M5 20	28220D011	1/2	138	45	2" or 3"	2"	575	2.4	3	20'	M
MSKHS50M5 30	28220D012	1/2	138	45	2" or 3"	2"	575	2.4	3	30'	M
MSKHS50M6 20	28220D013	1/2	138	45	2" or 3"	2"	200	6.6	3	20'	M
MSKHS50M6 30	28220D014	1/2	138	45	2" or 3"	2"	200	6.6	3	30'	M
MSKHS50M7 20	28220D015	1/2	138	45	2" or 3"	2"	200	9.2	1	20'	M
MSKHS50M7 30	28220D016	1/2	138	45	2" or 3"	2"	200	9.2	1	30'	M
MSKHS100M2 20	28220D100	1	138	57	2" or 3"	2"	230	11.4	1	20'	M
MSKHS100M2 30	28220D101	1	138	57	2" or 3"	2"	230	11.4	1	30'	M
MSKHS100A2 20	28220D102	1	138	57	2" or 3"	2"	230	11.4	1	20'	PT
MSKHS100M3 20	28220D104	1	138	57	2" or 3"	2"	230	8.0	3	20'	M
MSKHS100M3 30	28220D105	1	138	57	2" or 3"	2"	230	8.0	3	30'	M
MSKHS100M4 20	28220D106	1	138	57	2" or 3"	2"	460	4.0	3	20'	M
MSKHS100M4 30	28220D107	1	138	57	2" or 3"	2"	460	4.0	3	30'	M
MSKHS100M5 20	28220D108	1	138	57	2" or 3"	2"	575	3.2	3	20'	M
MSKHS100M5 30	28220D109	1	138	57	2" or 3"	2"	575	3.2	3	30'	M
MSKHS100M6 20	28220D110	1	138	57	2" or 3"	2"	200	8.8	3	20'	M
MSKHS100M6 30	28220D111	1	138	57	2" or 3"	2"	200	8.0	3	30'	M
MSKHS100M7 20	28220D112	1	138	57	2" or 3"	2"	200	12.6	1	20'	M
MSKHS100M7 30	28220D113	1	138	57	2" or 3"	2"	200	12.6	1	30'	M
MSKHS150M2 20	28220D150	1-1/2	138	70	2" or 3"	2"	230	13.9	1	20'	M
MSKHS150M2 30	28220D151	1-1/2	138	70	2" or 3"	2"	230	13.9	1	30'	M
MSKHS150A7 20	28220D153	1-1/2	138	70	2" or 3"	2"	200	15.3	1	20'	PT
MSKHS150M3 20	28220D154	1-1/2	138	70	2" or 3"	2"	230	7.6	3	20'	M

## SUBMERSIBLE HIGH HEAD SEWAGE EJECTOR PUMP MSKHS SERIES

### ORDERING INFORMATION

MODEL NUMBER	ENGINEERING NUMBER	HP	MAX CAPACITY	MAX HEAD	DISCHARGE NPT	SOLIDS HANDLING	VOLTS	FULL LOAD AMPS	PHASE	CORD LENGTH	SWITCH
MSKHS150M3 30	28220D155	1-1/2	138	70	2" or 3"	2"	230	7.6	3	30'	M
MSKHS150M4 20	28220D156	1-1/2	138	70	2" or 3"	2"	460	3.9	3	20'	M
MSKHS150M4 30	28220D157	1-1/2	138	70	2" or 3"	2"	460	3.9	3	30'	M
MSKHS150M5 20	28220D158	1-1/2	138	70	2" or 3"	2"	575	3.1	3	20'	M
MSKHS150M5 30	28220D159	1-1/2	138	70	2" or 3"	2"	575	3.1	3	30'	M
MSKHS150M6 30	28220D161	1-1/2	138	70	2" or 3"	2"	200	8.5	3	30'	M
MSKHS150M7 20	28220D162	1-1/2	138	70	2" or 3"	2"	200	15.3	1	20'	M
MSKHS150M7 30	28220D163	1-1/2	138	70	2" or 3"	2"	200	15.3	1	30'	M
MSKHS200M2 20	28220D200	2	175	80	2" or 3"	2"	230	18.0	1	20'	M
MSKHS200M3 20	28220D202	2	175	80	2" or 3"	2"	230	9.2	3	20'	M
MSKHS200M4 20	28220D204	2	175	80	2" or 3"	2"	460	4.6	3	20'	M
MSKHS200M4 30	28220D205	2	175	80	2" or 3"	2"	460	4.6	3	30'	M
MSKHS200M5 20	28220D206	2	175	80	2" or 3"	2"	575	3.7	3	20'	M
MSKHS200M5 30	28220D207	2	175	80	2" or 3"	2"	575	3.7	3	30'	M
MSKHS200M6 20	28220D200	2	175	80	2" or 3"	2"	200	10.4	3	20'	M
MSKHS200M6 30	28220D209	2	175	80	2" or 3"	2"	200	10.4	3	30'	M



293 Wright St  
Delavan, WI 53115  
Ph: 888.987.8677  
Fx: 800.426.9446

490 Pinebush Rd, Unit 4  
Cambridge, Ontario N1T 0A5, Canada  
Ph: 800.363.7867  
Fx: 888.606.5484

pentair.com

All indicated Pentair trademarks and logos are property of Pentair. Third party registered and unregistered trademarks and logos are the property of their respective owners. Because we are continuously improving our products and services, Pentair reserves the right to change specifications without prior notice. Pentair is an equal opportunity employer.

©2023 Pentair. All Rights Reserved.

MY99629 (08-01-23)