



SHURFLO MACERATOR PUMP

MARINE MACERATOR PUMP – PRODUCT TECHNICAL DATA SHEET

OEM: 3200-000, 3200-100
 AFTERMARKET: 3200-001, 3200-101

APPLICATION:

12V DC Macerator Pump Designed specifically for sanitation waste and fish box evacuation.



PUMP DESIGN:

Type: Centrifugal Pump (Flex-Impeller)
 Inlet Port: 1-1/2" Barb / 1-1/2" NPT
 Outlet Port: 1" Barb
 Liquid: 130°F [54°C] Max
 Dry-Prime: 4 feet [1.21 M]
 Run Dry: 20 Seconds max

ELECTRICAL:

Motor: 12V DC Permanent Magnet, Intermittent Duty
 Protection: Thermal Overload, Automatic Restart
 Leads: 14 AWG, 17.5" [44 cm] Red +, 18.5" [47 cm] Black
 Fuse: 25 Amp Recommended
 Control: No Control

MATERIALS OF CONSTRUCTION:

Housings: Phenolic - Nylon
 Impeller: Brandonite
 Hardware: Stainless Steel

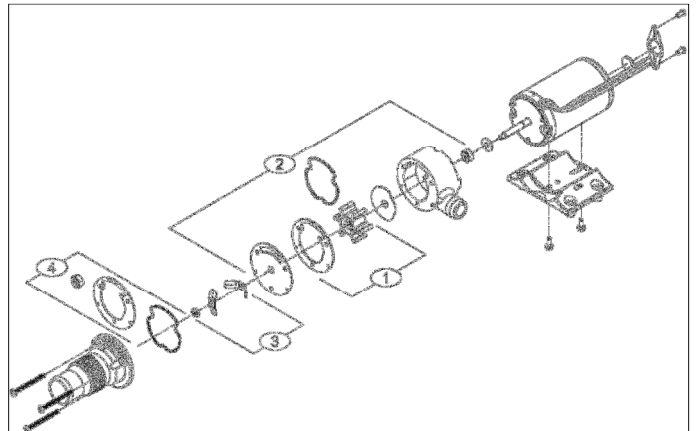
AGENCY APPROVALS:

Ignition Protection 8846, CE, IMCI Certified

SHIPPING INFORMATION:

Approx. Net Weight: 5 lbs. [2.2 Kg] ea.
 Carton Qty.: 6
 Approx. Carton Weight: 36 lbs. [16.3 Kg]
 Approx. Carton Size: 24" L X 18" W X 6" H [61cm x 46cm x 15cm]
 Retail (individual) box: 11" L X 6" W X 5" H [28cm x 15cm x 13cm]

REPAIR KITS



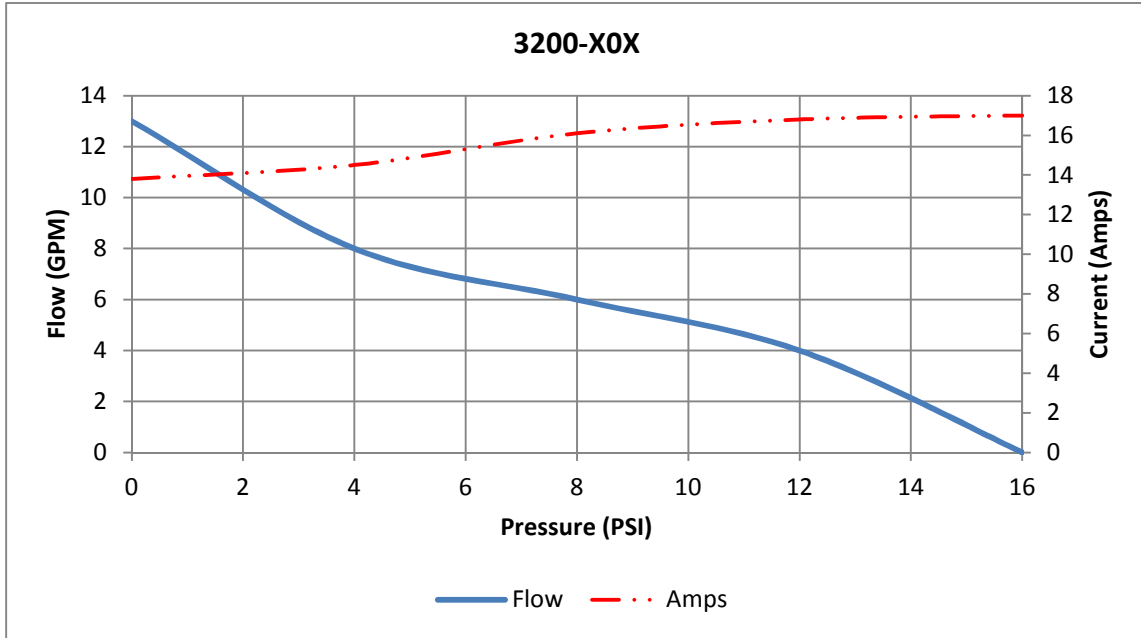
Number	Description	Part Number
1	Impeller Kit	94-571-00
2	Impeller Housing Kit	94-570-00
3	Cutter Blade Kit	94-570-02
4	O-ring, Gasket & Lip Seal Kit	94-570-04

RELATED DOCUMENTS:

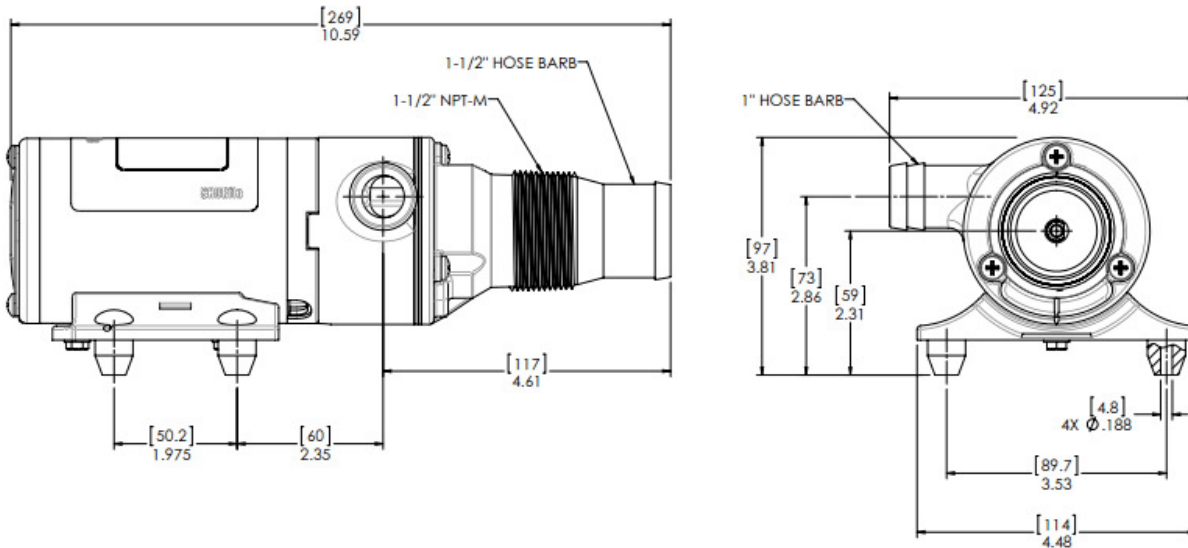
Catalog: MS-030-140
 App Guide Sheet : MS-020-005
 Installation Manual: 911-566
 Aftermarket Warranty: 911-1045

TYPICAL PERFORMANCE

PRESSURE		FLOW		CURRENT
BAR	PSI	GPM	LPM	AMPS
0.0	0	13	49.2	13.2
0.27	4	8	30.3	14.5
0.55	8	6	22.7	16.1
0.82	12	4	15.1	16.8
1.10	16	0.0	0.0	17



DIMENSIONS



3545 Harbor Gateway South, Suite 103, Costa Mesa, CA 92626, (800) 854-3218 www.SHURFLO.com

All Pentair trademarks and logos are owned by Pentair, Inc. All other brand or product names are trademarks or registered marks of their respective owners. Because we are continuously improving our products and services, Pentair reserves the right to change specifications without prior notice. Pentair is an equal opportunity employer.

3200-X0X Rev. 06/16 2015 - 2016 ©Pentair, Inc. All Rights Reserved.