

# MARINE PRODUCT DATA SHEET

**OEM:** 330-010 (3/4" Fitting)  
**AFTERMARKET:** 330-021 (Both Fittings)

## APPLICATION

Livewell tank fill valve for water circulation

## MATERIAL

Plastics: Nylon  
Flow Adjustment: Santoprene  
Gasket: Buna  
Screws: Stainless Steel

## SPECIFICATIONS

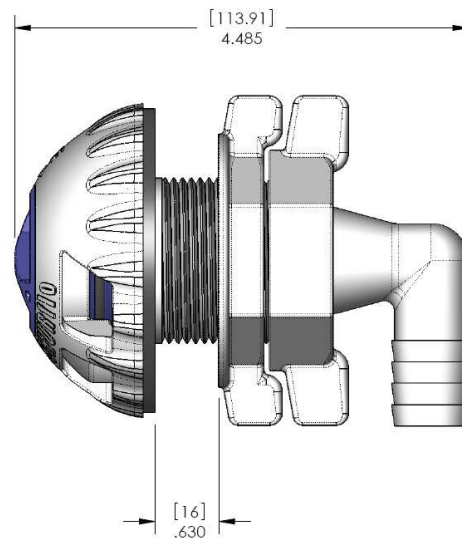
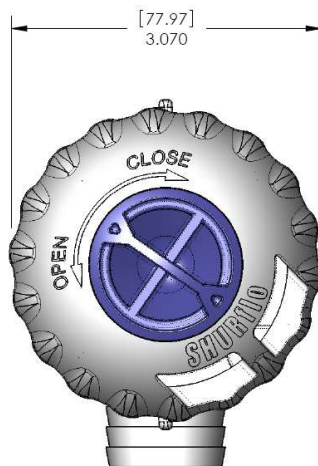
Inlet Port: 3/4" Barb  
Liquid temperature: 130°F [24°C] Max  
Max Pressure: 15 PSI

## RELATED DOCUMENTS

Catalog: MS-030-140  
Applications Spec Guide: MS-020-005  
Installation Manual: 911-734  
Aftermarket Warranty: 911-1045



Keep your bait alive. The SHURflo Live-well Fill Valve creates an energized environment that "keeps your bait alive." The full port fittings (3/4" or 1-1/8") assure the amount of flow is achieved and maintained. The adjustable flow valve allows you to adjust the water flow to your desired amount.



## **WATER PURIFICATION**

3545 Harbor Gateway South, Suite 103, Costa Mesa, CA 92626, (800) 854-3218 [www.SHURFLO.com](http://www.SHURFLO.com)

All Pentair trademarks and logos are owned by Pentair, Inc. All other brand or product names are trademarks or registered marks of their respective owners. Because we are continuously improving our products and services, Pentair reserves the right to change specifications without prior notice. Pentair is an equal opportunity employer.