

# MARINE PRODUCT DATA SHEET

OEM: 8050-261-105

AFTERMARKET: 8050-261-105

## APPLICATION

12V DC Refrigeration cold plate circulation.  
This pump may be used for general fresh water transfer.

## PUMP:

Type: 3 Chamber Diaphragm  
Ports: 1/2"-14 NPSM-Male.  
Liquid: 130 °F [54 °C] Max  
Dry-Prime: 4 feet [1.21 M]  
Inlet PSI: 30 PSI [2.1 Bar] Max  
Run Dry: Yes

## ELECTRICAL:

Motor: 12VDC Permanent Magnet, Continuous Duty  
Protection: Thermal Overload, Automatic Restart  
Leads: 16 AWG, 16" [40 cm] Red +, 13" [33 cm] Black -  
Fuse: 5 Amp Recommended  
Control: 45 PSI Internal By-pass

## MATERIALS:

Housing: Polypro  
Valves: EPDM  
Diaphragm: Santoprene  
Hardware: Stainless Steel

## APPROVALS:

Ignition Protection 8846, CE

## SHIPPING:

Approx. Net Weight: 5.1 Lbs. [2.3 Kg]  
Carton Quantity: 12  
Approx. Carton Weight: 62 Lbs. [28 Kg]  
Approx. Carton Size:  
24"L x 18"W x 11"H  
[61cm x 46cm x 28cm]

## RELATED DOCUMENTS:

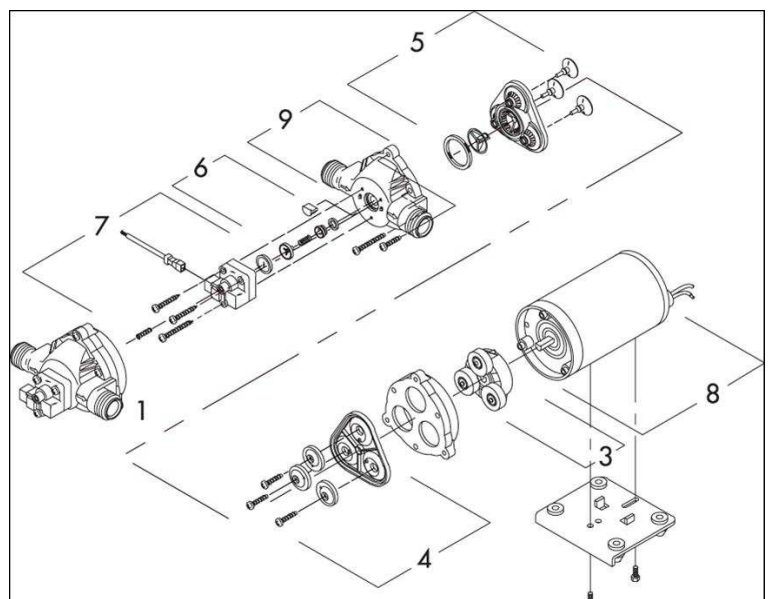
Catalog: MS-030-140  
Applications Spec Guide: MS-020-005  
Installation Manual: 911-314  
Aftermarket Warranty: 911-1045



Specifically designed for refrigeration cold plate circulation, this pump allows you to adjust water flow according to your system.

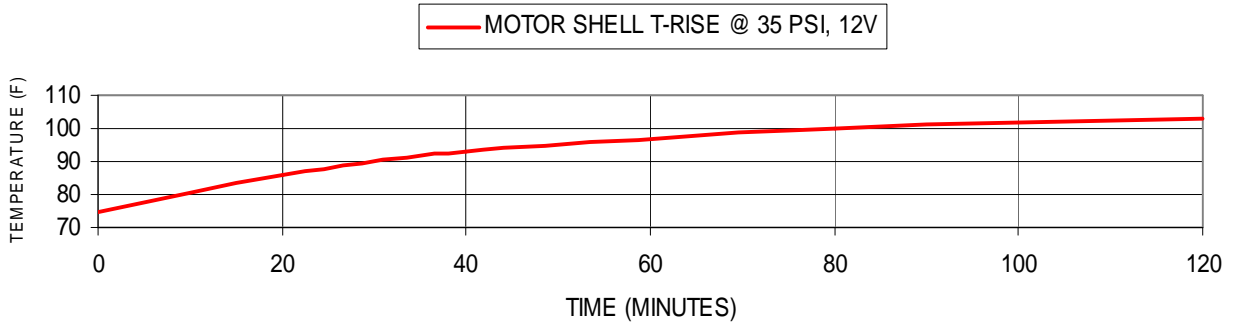
## Parts Kits

Number	Components	Parts Kits
6	Check Valve	94-374-16
5	Valve Assembly	94-391-06
3 and 4	Drive Assembly	94-385-30



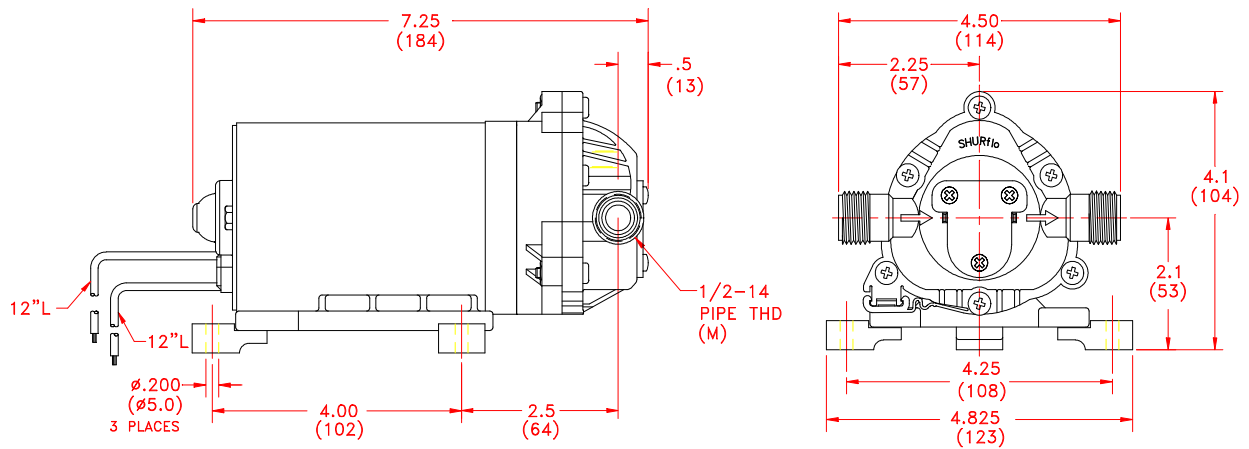
### TYPICAL PERFORMANCE

PRESSURE		FLOW		CURRENT
BAR	PSI	GPM	LPM	AMPS
0.0	0	0.60	2.27	0.75
0.7	10	0.55	2.08	1.30
1.4	20	0.51	1.93	1.50
2.1	30	0.42	1.58	1.80



### DIMENSIONS [mm]

8050-261-105



#### WATER PURIFICATION

3545 Harbor Gateway South, Suite 103, Costa Mesa, CA 92626, (800) 854-3218 [www.SHURFLO.com](http://www.SHURFLO.com)

All Pentair trademarks and logos are owned by Pentair, Inc. All other brand or product names are trademarks or registered marks of their respective owners. Because we are continuously improving our products and services, Pentair reserves the right to change specifications without prior notice. Pentair is an equal opportunity employer.