

# RV/MARINE PRODUCT DATA SHEET

OEM: 8050-305-426

AFTERMARKET: 8050-305-426

## APPLICATION

12V DC Oil Change systems including transmission fluids, anti-freeze solutions, low viscosity gear and liquid transfer.

## PUMP:

Type: 3 Chamber Diaphragm  
Ports: 3/8" NPT-F.  
Liquid: 180 °F [82 °C] Max  
Dry-Prime: 6 feet with water [1.82 M]  
Inlet PSI: 30 PSI [2.1 Bar] Max  
Run Dry: Yes

## ELECTRICAL:

Motor: 12VDC Permanent Magnet, Continuous Duty  
Protection: Thermal Overload, Automatic Restart  
Leads: 8 feet [2.4m] with alligator clips  
Fuse: 7.5 Amp Recommended  
Control: 30 PSI Internal By-pass

## MATERIALS:

Housing: Nylon  
Valves: Buna  
Diaphragm: Geolast  
Hardware: Stainless Steel

## APPROVALS:

Ignition Protection 8846, CE

## SHIPPING:

Approx. Net Weight: 8 Lbs. [3.6 Kg] each  
Carton Quantity: 1  
Approx. Carton Size:  
13"L x 13"W x 13"H  
[33cm x 33cm x 33cm]

## RELATED DOCUMENTS:

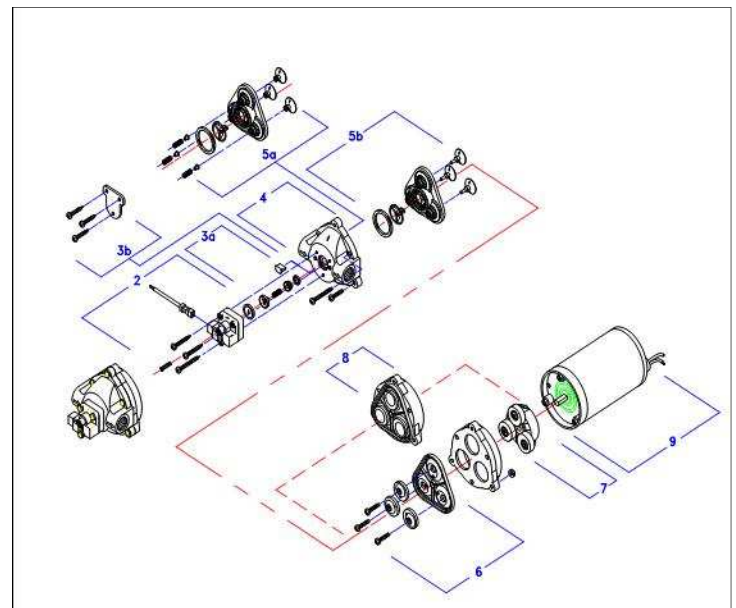
Catalog: MS-030-140  
Applications Spec Guide: MS-020-005  
Installation Manual: 911-672  
Aftermarket Warranty: 911-1045



Incorporating SHURflo's advance motor technology that includes thermal overload protection, these pumps are self-priming, easy to install and are extremely versatile-perfect for a variety of uses including winterizing, Oil changing and liquid transfer.

## Parts Kits

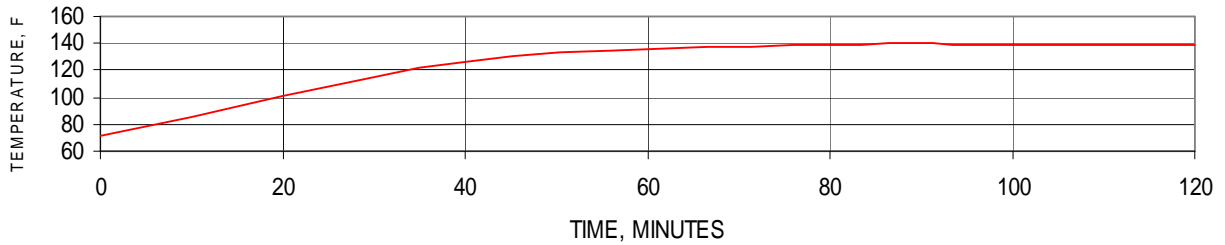
Number	Components	Parts Kits
5a	Valve Assembly	94-391-12
8	Drive Assembly	94-385-42



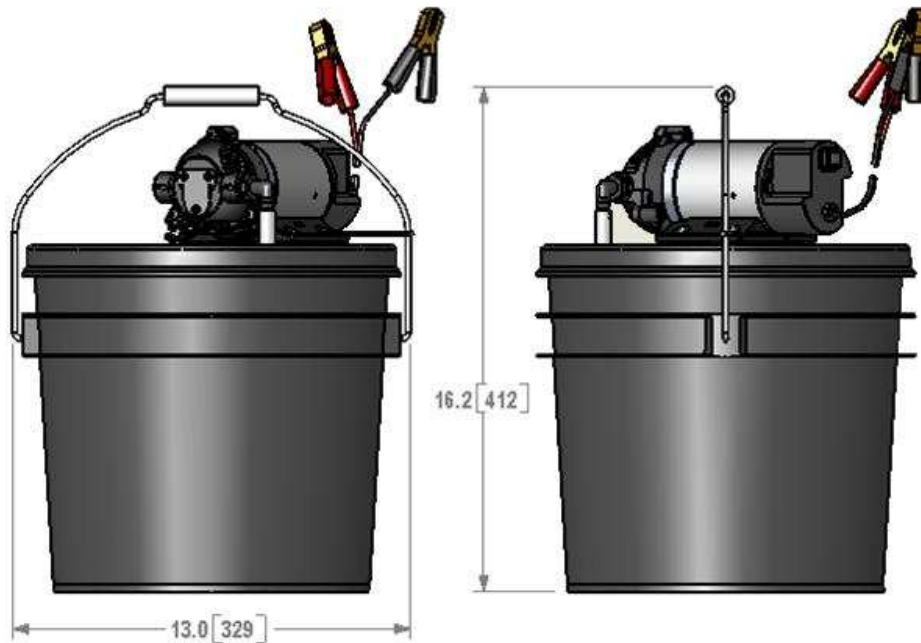
**TYPICAL PERFORMANCE WITH WATER**

PRESSURE		FLOW		CURRENT
BAR	PSI	GPM	LPM	AMPS
0.0	0	1.55	5.86	2.2
0.7	10	1.45	5.48	2.8
1.4	20	1.36	5.14	3.5
2.1	30	1.10	4.16	4.1
2.8	40	0.15	0.56	4.4

**TYPICAL MOTOR SHELL T-RISE @ 40 PSI, 12V**



**DIMENSIONS [mm]**



**WATER PURIFICATION**

3545 Harbor Gateway South, Suite 103, Costa Mesa, CA 92626, (800) 854-3218 [www.SHURFLO.com](http://www.SHURFLO.com)

All Pentair trademarks and logos are owned by Pentair, Inc. All other brand or product names are trademarks or registered marks of their respective owners. Because we are continuously improving our products and services, Pentair reserves the right to change specifications without prior notice. Pentair is an equal opportunity employer.