

RV/MARINE PRODUCT DATA SHEET

OEM: 8050-305-626
AFTERMARKET: 8050-305-626

APPLICATION

12V DC Oil Change systems including transmission fluids, anti-freeze solutions, low viscosity gear and liquid transfer.

PUMP:

Type: 3 Chamber Diaphragm
 Ports: 3/8" NPT-F.
 Liquid: 180 °F [82 °C] Max
 Dry-Prime: 6 feet with water [1.82 M]
 Inlet PSI: 30 PSI [2.1 Bar] Max
 Run Dry: Yes



ELECTRICAL:

Motor: 12VDC Permanent Magnet, Continuous Duty
 Protection: Thermal Overload, Automatic Restart
 Leads: 8 feet [2.4m] with alligator clips
 Fuse: 7.5 Amp Recommended
 Control: 30 PSI Internal By-pass

Incorporating SHURflo's advance motor technology that includes thermal overload protection, these pumps are self-priming, easy to install and are extremely versatile-perfect for a variety of uses including winterizing, Oil changing and liquid transfer.

MATERIALS:

Housing: Nylon
 Valves: Buna
 Diaphragm: Geolast
 Hardware: Stainless Steel

APPROVALS:

Ignition Protection 8846, CE

Parts Kits

Number	Components	Parts Kits
5a	Valve Assembly	94-391-12
8	Drive Assembly	94-385-42

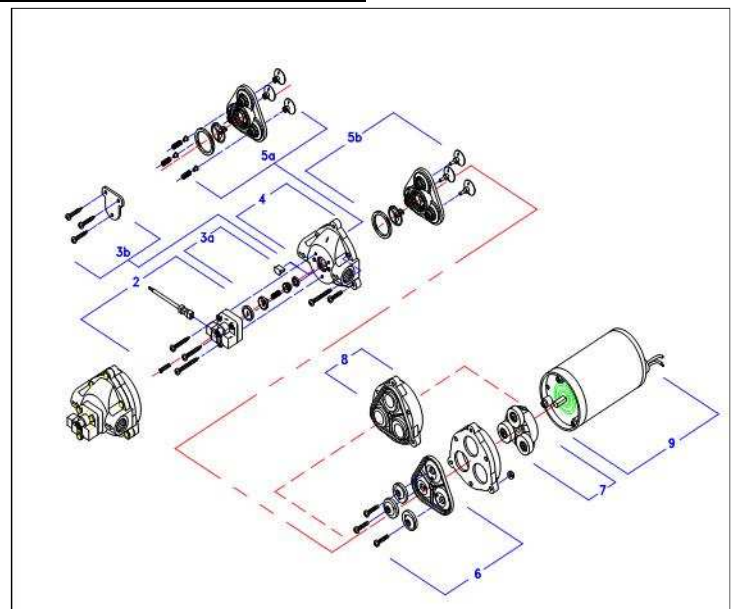
SHIPPING:

Approx. Net Weight: 4 Lbs. [1.8 Kg] each
 Carton Quantity: 6
 Approx. Carton Weight: 28 Lbs. [12.7 Kg]

Approx. Carton Size:
 24"L x 18"W x 6"H
 [61cm x 46cm x 15cm]

RELATED DOCUMENTS:

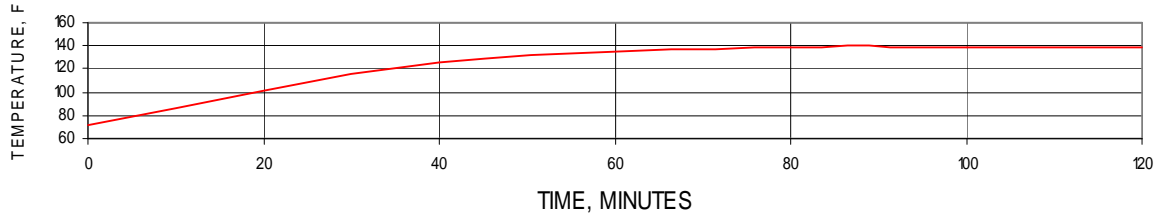
Catalog: MS-030-140
 Applications Spec Guide: MS-020-005
 Installation Manual: 911-714
 Aftermarket Warranty: 911-1045



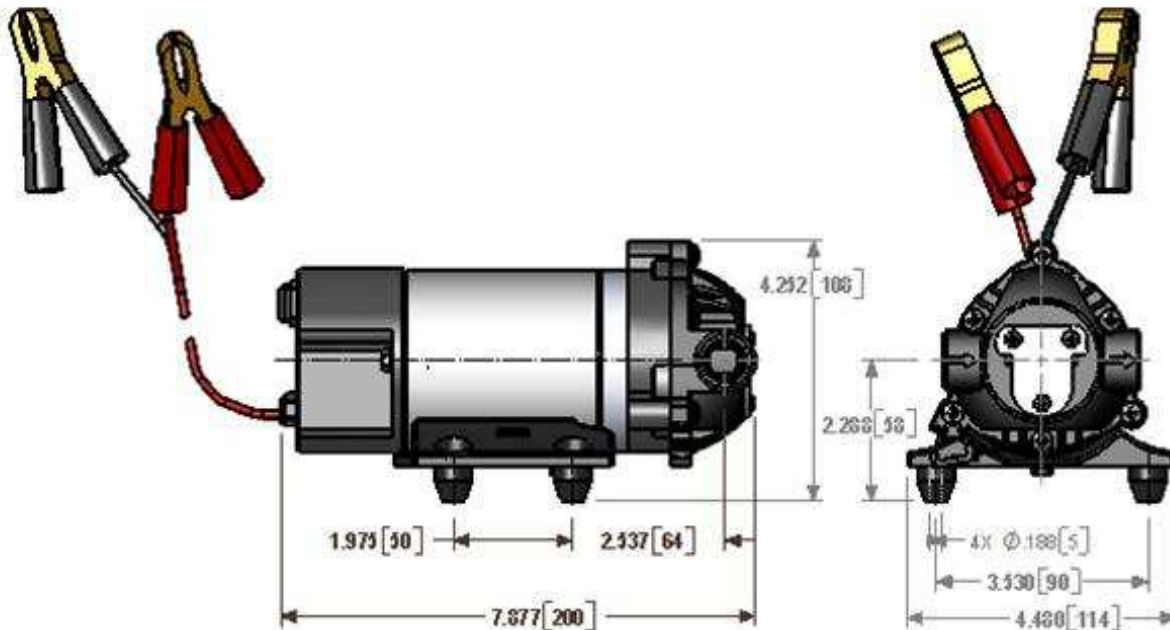
TYPICAL PERFORMANCE WITH WATER

PRESSURE		FLOW		CURRENT
BAR	PSI	GPM	LPM	AMPS
0.0	0	1.55	5.86	2.2
0.7	10	1.45	5.48	2.8
1.4	20	1.36	5.14	3.5
2.1	30	1.10	4.16	4.1
2.8	40	0.15	0.56	4.4

TYPICAL MOTOR SHELL T-RISE @ 40 PSI, 12V



DIMENSIONS [mm]



WATER PURIFICATION

3545 Harbor Gateway South, Suite 103, Costa Mesa, CA 92626, (800) 854-3218 www.SHURFLO.com

All Pentair trademarks and logos are owned by Pentair, Inc. All other brand or product names are trademarks or registered marks of their respective owners. Because we are continuously improving our products and services, Pentair reserves the right to change specifications without prior notice. Pentair is an equal opportunity employer.