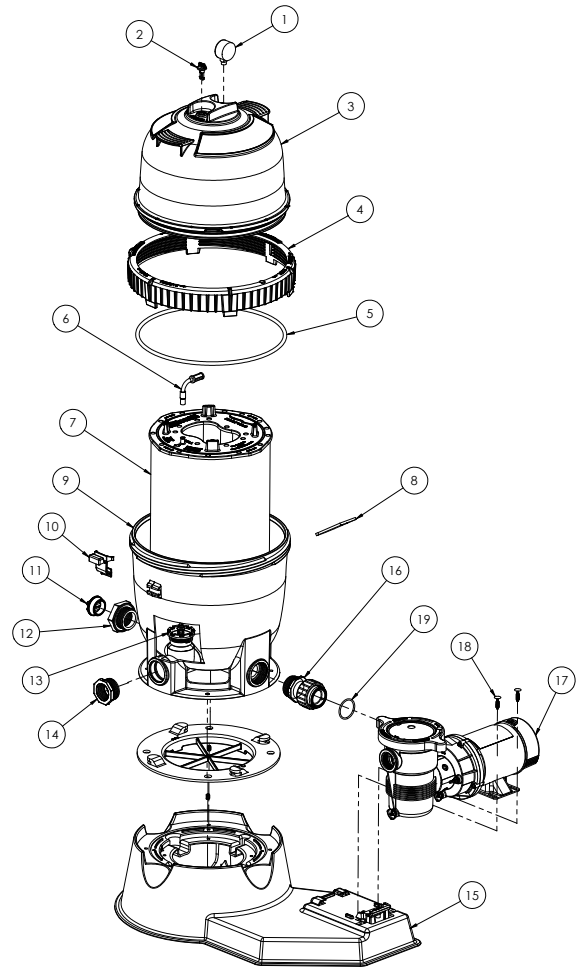


# PLD FILTER SYSTEMS

## REPLACEMENT PARTS FOR SYSTEMS MANUFACTURED 2009 AND BEYOND



Item	Part No.	Description
<b>PLD FILTER SYSTEMS 2009 AND BEYOND</b>		
1	15060-0000T	Pressure Gauge
2	25010-0200	Air Relief Valve Assembly
3	27001-0020S	Tank Shell Upper Half
4	27001-0054S	Posi-Lok Ring
5	27001-0061S	Body O-Ring
6	24800-0120	Air Bleed Assembly
7	27002-0030S	Filter Module - PLD50
8	27001-0011	Flapper Valve
9	27001-0009S	Tank Shell Lower Half
10	27001-0051	Safety Latch
11	27001-0022	1-1/2 in. NPT Plug
12	24900-0510	Adapter Fitting
13	27001-0130S	Spring Check Valve
14	U78-820P3	2 in. to 1-1/2 in. Pipe Reducer
15	155331P	Systems Base (ABG/JWP)
15	155331CP	Systems Base, CSA(ABG/JWP)
15	155333P	Systems Base (OptiFlo)
15	155333CP	Systems Base, CSA (OptiFlo)
16	155403	Pump to Filter Hose Assembly (JWP)
16	155374	Pump to Filter Assembly (OptiFlo) <sup>2</sup>
16	155765	Pump to Filter Assembly (OptiFlo) <sup>3</sup>
17		Pump
18	710009	Base Hardware Kit
19	354571	O-Ring, Union
<b>NOT SHOWN</b>		
	155151	Kit, Flex Hose, 6 ft. <sup>1</sup>
	155005	Kit, Flex Hose, 12 ft. <sup>1</sup>



Note: System shown with 155333P Base and OptiFlo® Pump

<sup>1</sup> Replacement Hose Kits include two (2) hoses, four (4) hose adapters and four (4) hose clamps.

<sup>2</sup> When replacement OptiFlo pump is used on base 155331P and 155333CP.

<sup>3</sup> When replacement OptiFlo pump is used on base 155331P and 155331CP.

CALIFORNIA PROPOSITION 65 WARNING

⚠ **WARNING:** Cancer and Reproductive Harm.  
 ⚠ **AVERTISSEMENT:** Peut Causer le Cancer et des Dommages au Système Reproducteur.  
 ⚠ **ADVERTENCIA:** Cáncer y Daño Reproductivo.

www.p65warnings.ca.gov. P182017A