



**INSTALLATION AND OPERATION**  
**FH Series Pumps**  
**Horsepower Range: 1/2 and 3/4 HP**  
**60 Cycle**  
**Single Phase Installations**  
**Owner's Record**

Pump Model: \_\_\_\_\_

Pump Serial No.: \_\_\_\_\_

Pump Date Code: \_\_\_\_\_

Motor H.P. \_\_\_\_\_ Voltage \_\_\_\_\_ Phase \_\_\_\_\_

Date of Installation: \_\_\_\_\_

Owner: \_\_\_\_\_

Installer: \_\_\_\_\_

Installer Phone Number: \_\_\_\_\_

## READ AND FOLLOW SAFETY INSTRUCTIONS!

**!** This is the safety alert symbol. When you see this symbol on your pump or in this manual, look for one of the following signal words and be alert to the potential for personal injury:

**⚠ DANGER** warns about hazards that **will** cause serious personal injury, death or major property damage if ignored.

**⚠ WARNING** warns about hazards that **can** cause serious personal injury, death or major property damage if ignored.

**⚠ CAUTION** warns about hazards that **will** or **can** cause minor personal injury or property damage if ignored.

The label **NOTICE** indicates special instructions which are important but not related to hazards.

**Carefully read and follow all safety instructions in this manual and on pump.**

Keep safety labels in good condition.  
Replace missing or damaged safety labels.

### California Proposition 65 Warning

**⚠ WARNING** This product and related accessories contain chemicals known to the State of California to cause cancer, birth defects or other reproductive harm.

## ELECTRICAL SAFETY

**⚠ WARNING** Capacitor voltage may be hazardous. To discharge motor capacitor, hold insulated handle screwdriver **BY THE HANDLE** and short capacitor terminals together. Do not touch metal screwdriver blade or capacitor terminals. If in doubt, consult a qualified electrician.

## GENERAL SAFETY

**⚠ CAUTION** Do not touch an operating motor. Modern motors are designed to operate at high temperatures. To avoid burns when servicing pump, allow it to cool for 20 minutes after shut-down before handling.

Do not allow pump or any system component to freeze. To do so will void warranty.

Pump water only with this pump.

Periodically inspect pump and system components.


Wear safety glasses at all times when working on pumps.

Keep work area clean, uncluttered and properly lighted; store properly all unused tools and equipment.

Keep visitors at a safe distance from the work areas.

**⚠ WARNING** Pump body may explode if used as a booster pump unless relief valve capable of passing full pump flow at 75 psi is installed.

**⚠ WARNING**




**Hazardous voltage. Can shock, burn, or cause death.**

Ground pump before connecting to power supply. Disconnect power before working on pump, motor or tank.

- ⚠** Wire motor for correct voltage. See “Electrical” section of this manual and motor nameplate.
- ⚠** Ground motor before connecting to power supply.
- ⚠** Meet National Electrical Code, Canadian Electrical Code, and local codes for all wiring.
- ⚠** Follow wiring instructions in this manual when connecting motor to power lines.

**⚠ WARNING**



**Hazardous pressure! Install pressure relief valve in discharge pipe.**

Release all pressure on system before working on any component.

	Page
General Safety .....	2
Warranty.....	3
Installation (Well Pumps) .....	4,5
Connecting Discharge Piping.....	6
Electrical.....	7,8
Preparing To Start The Pump .....	8
Repair Parts .....	9
Troubleshooting.....	10

## Limited Warranty

PENTAIR warrants to the original consumer purchaser (“Purchaser” or “You”) of the products listed below, that they will be free from defects in material and workmanship for the Warranty Period shown below.

Product	Warranty Period
Water Systems Products — jet pumps, small centrifugal pumps, submersible pumps and related accessories	<i>whichever occurs first:</i> 12 months from date of original installation, 18 months from date of manufacture
PENTEK INTELLIDRIVE™	12 months from date of original installation, or 18 months from date of manufacture
Pro-Source™ Composite Tanks	5 years from date of original installation
Pro-Source™ Steel Pressure Tanks	5 years from date of original installation
Pro-Source™ Epoxy-Line Tanks	3 years from date of original installation
Sump/Sewage/Effluent Products	12 months from date of original installation, or 18 months from date of manufacture

Our warranty will not apply to any product that, in our sole judgment, has been subject to negligence, misapplication, improper installation, or improper maintenance. Without limiting the foregoing, operating a three phase motor with single phase power through a phase converter will void the warranty. Note also that three phase motors must be protected by three-leg, ambient compensated, extra-quick trip overload relays of the recommended size or the warranty is void.

Your only remedy, and PENTAIR’s only duty, is that PENTAIR repair or replace defective products (at PENTAIR’s choice). You must pay all labor and shipping charges associated with this warranty and must request warranty service through the installing dealer as soon as a problem is discovered. No request for service will be accepted if received after the Warranty Period has expired. This warranty is not transferable.

PENTAIR IS NOT LIABLE FOR ANY CONSEQUENTIAL, INCIDENTAL, OR CONTINGENT DAMAGES WHATSOEVER. THE FOREGOING LIMITED WARRANTIES ARE EXCLUSIVE AND IN LIEU OF ALL OTHER EXPRESS AND IMPLIED WARRANTIES, INCLUDING BUT NOT LIMITED TO IMPLIED WARRANTIES OF MERCHANTABILITY AND FITNESS FOR A PARTICULAR PURPOSE. THE FOREGOING LIMITED WARRANTIES SHALL NOT EXTEND BEYOND THE DURATION PROVIDED HEREIN.

Some states do not allow the exclusion or limitation of incidental or consequential damages or limitations on how long an implied warranty lasts, so the above limitations or exclusions may not apply to You. This warranty gives You specific legal rights and You may also have other rights which vary from state to state.

This Limited Warranty is effective June 1, 2011 and replaces all undated warranties and warranties dated before June 1, 2011.

**PENTAIR**  
**293 Wright St., Delavan, WI 53115**  
**Phone (262) 728-5551 • Fax (262) 728-7323**

## REPLACING AN OLD PUMP

**⚠️ WARNING** Hazardous voltage. Disconnect power to pump before working on pump or motor.

- Step 1. Drain and remove the old pump. Check the old pipe for scale, lime, rust, etc., and replace it if necessary.
- Step 2. Install the pump in the system. Make sure that all pipe joints in the suction pipe are air-tight as well as water tight. *If the suction pipe can suck air, the pump will not be able to pull water from the well.*
- Step 3. Adjust the pump mounting height so that the plumbing connections do not put a strain on the pump body. Support the pipe so that the pump body does not take the weight of piping or fittings.

**You have just completed the well plumbing for your new shallow well jet pump. Please go to Page 6 for discharge pipe and tank connections.**

## WELL POINT (DRIVEN POINT) INSTALLATION (FIGURE 1)

- Step 1. Drive the well, using “drive couplings” and a “drive cap”. “Drive fittings” are threaded all the way through and allow the pipe ends to butt against each other so that the driving force of the maul is carried by the pipe and not by the threads. The ordinary fittings found in hardware stores are not threaded all the way through the fitting and can collapse under impact. “Drive fittings” are also smoother than standard plumbing fittings, making ground penetration easier.
- Step 2. Mount the pump as close to the well as possible.

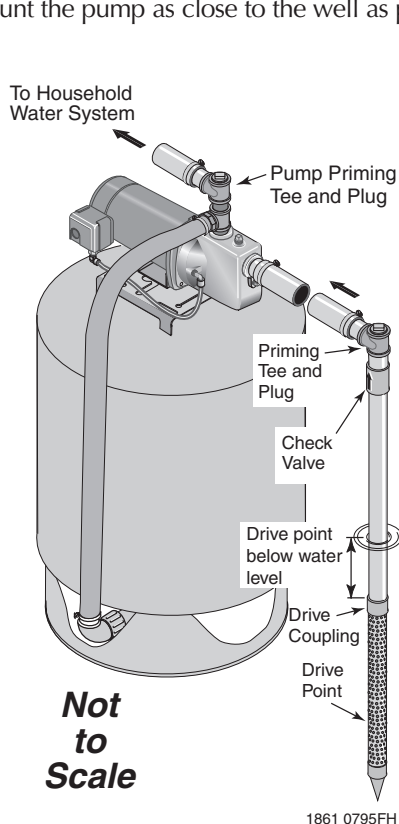


Figure 1: Driven Point Installation

- Step 3. Use the fewest possible fittings (especially elbows) when connecting the pipe from the well point to the pump suction port. The suction pipe should be at least as large as the suction port on the pump (include a check valve if your pump is not equipped with one – see Figure 1). Support the pipe so that there are no dips or sags in the pipe, so it doesn't strain the pump body, and so that it slopes slightly upward from the well to the pump (high spots can cause air pockets which can air lock the pump). Seal the suction pipe joints with PTFE pipe thread sealant tape. Joints must be air- and water-tight. *If the suction pipe can suck air, the pump cannot pull water from the well.* If one well point does not supply enough water, consider connecting two or three well points to one suction pipe.

**You have just completed the suction piping for your new shallow well jet pump. Please go to Page 6 for discharge pipe and tank connections.**

## CASED WELL INSTALLATION, 2" OR LARGER CASING (FIGURE 2)

- Step 1. Mount the pump as close to the well as possible.
- Step 2. Assemble the foot valve, strainer, and well pipe (see Figure 2). Make sure that the foot valve works freely.
- Step 3. Lower the pipe into the well until the strainer is five feet above the bottom of the well. It should also be at least 10 feet below the well's water level *while the pump is running* in order to prevent the pump from sucking air. Install a sanitary well seal.

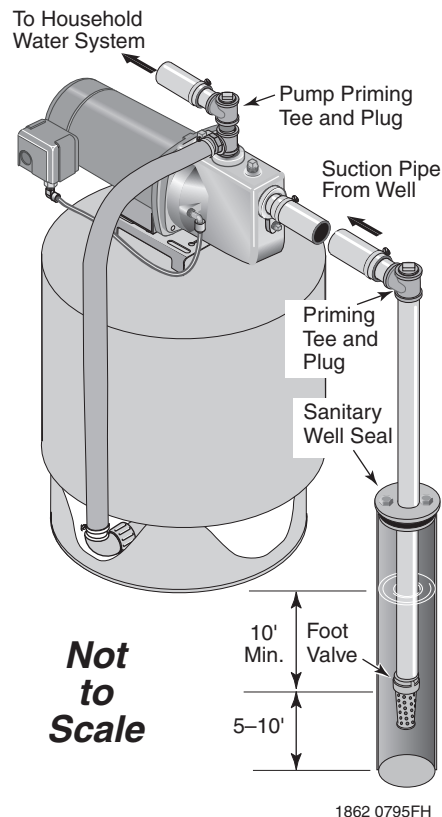


Figure 2: Cased Well Installation

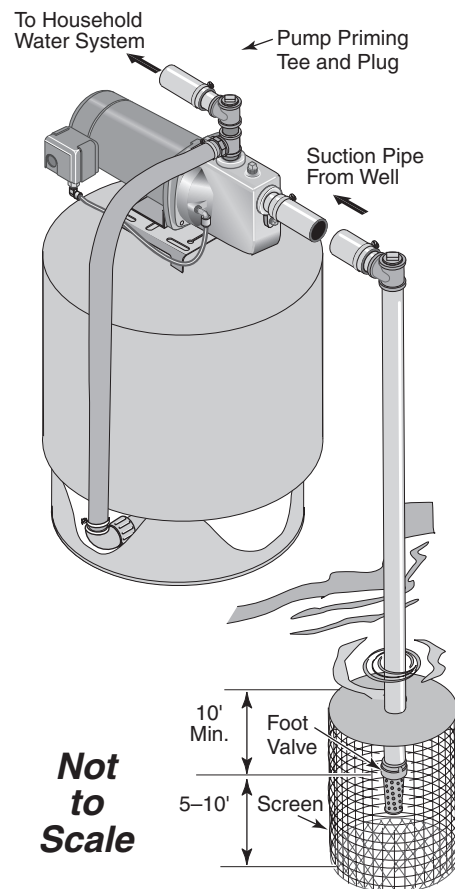
Step 4. Install a priming tee, priming plug, and suction pipe to the pump (see Figure 2). Connect the pipe from the well to the pump suction port, using the fewest possible fittings – especially elbows – as fittings increase friction in the pipe (however, include a foot valve – see Figure 2). The suction pipe should be at least as large as the suction port on the pump. Use PTFE pipe thread sealant tape on threaded pipe joints. Support the pipe so that there are no dips or sags in the pipe, so it doesn't strain the pump body, and so that it slopes slightly upward from the well to the pump (high spots can cause air pockets which can air lock the pump). Seal the suction pipe joints with PTFE pipe thread sealant tape. Joints must be air- and water-tight. *If the suction pipe can suck air, the pump cannot pull water from the well.*

**You have just completed the suction piping for your new shallow well jet pump. Please go to Page 6 for discharge pipe and tank connections.**

## INSTALLATION FOR SURFACE WATER (FIGURE 3)

- Step 1. The pump should be installed as close to the water as possible, with the fewest possible fittings (especially elbows) in the suction pipe. The suction pipe should be at least as large as the suction port on the pump.
- Step 2. Assemble a foot valve and suction pipe (see Figure 3). Make sure that the foot valve works freely. Use PTFE pipe thread sealant tape on threaded pipe joints. Protect the foot valve assembly from fish, trash, etc, by installing a screen around it (see Figure 3).
- Step 3. Lower the pipe into the water until the strainer is five feet above the bottom. It should also be at least 10 feet below the water level in order to prevent the pump from sucking air.
- Step 4. Install a priming tee, priming plug, and suction pipe to the pump (see Figure 3). Support the pipe so that there are no dips or sags in the pipe, so it doesn't strain the pump body, and so that it slopes slightly upward from the well to the pump (high spots can cause air pockets which can air lock the pump). Seal the suction pipe joints with PTFE pipe thread sealant tape. Joints must be air- and water-tight. *If the suction pipe can suck air, the pump cannot pull water from the well.*

**You have just completed the plumbing for your new shallow well jet pump. Please go to Page 6 for discharge pipe and tank connections.**



1863 0795 FH

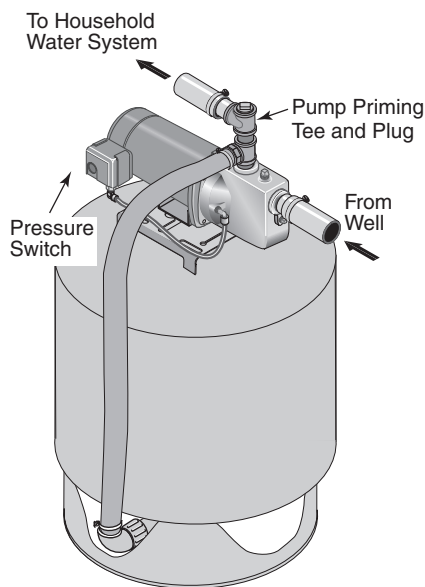
**Figure 3: Surface Water Installation**

## PRE-CHARGE TANK CONNECTION (FIGURE 4)

- Step 1. Install two tees in the pump discharge port (see Figure 4). The pipe size must be at least as large as the discharge port.
- Step 2. Run a pipe or reinforced hose from one arm of the first tee to the port on the pre-charged tank.
- Step 3. Connect the other end of the discharge tee to your plumbing system.
- Step 4. Check the pre-charge of air in the tank with an ordinary tire gauge. The pre-charge should be 2 PSI less than the cut-in setting of the pump's pressure switch. The pre-charge is measured *when there is no water pressure in the tank*. Your new pump has a 30/50 PSI switch, so adjust the tank pre-charge pressure to 28 PSI.

**Congratulations! You have just completed the tank connection for your jet pump.**

**Please go to Pages 7 and 8 for electrical hookup.**



1864 0795 FH

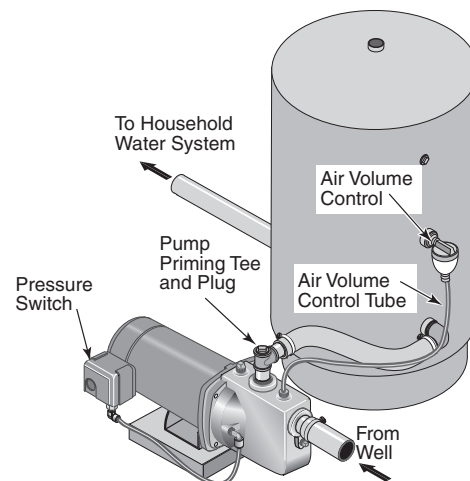
**Figure 4: Pre-charged Tank Connections**

## STANDARD TANK CONNECTION (FIGURE 5)

- Step 1. Install one tee in the pump discharge port (see Figure 5).
- Step 2. Run a pipe from the pump discharge port to the inlet port of your tank. The pipe size must be at least as large as the discharge port.
- Step 3. Remove the 1/8" NPT pipe plug from the pump Air Volume Control (AVC) port (see Figure 5). Run tubing from the pump's AVC port (see Figure 5) to the port on the AVC mounted on the tank. See instructions provided with tank and AVC for details. AVC port location will vary, depending on your pump model (see exploded views, Page 9).

**Congratulations! You have just completed the tank connection for your jet pump.**

**Please go to Pages 7 and 8 for electrical hookup.**



1865 0795FH

**Figure 5: Standard Tank Connections**

### Sealing Pipe Joints

Use only PTFE pipe thread sealant tape for making all threaded connections to the pump itself. **Do not use pipe joint compounds on plastic pumps:** they can react with the plastic in pump components. Make sure that all pipe joints in the suction pipe are air tight as well as water tight. *If the suction pipe can suck air, the pump will not be able to pull water from the well.*

**⚠ Disconnect power before working on pump, motor, pressure switch, or wiring.**

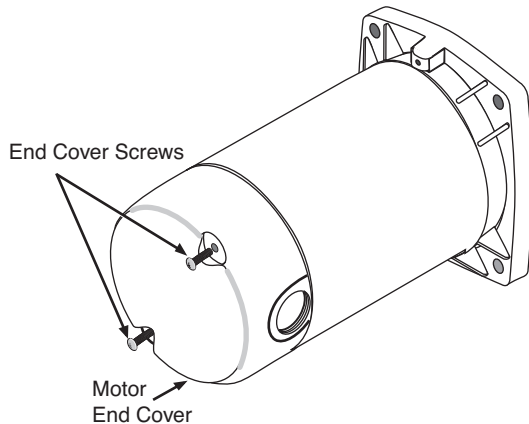
## MOTOR SWITCH SETTINGS

Dual-voltage motors (motors that can operate at either 115 or 230 volts), are set at the factory to 230 volts. Do not change motor voltage setting if line voltage is 230 volts, or if you have a single voltage motor.

NOTE: Never wire a 115 volt motor to a 230 volt line.

### Remove Motor End Cover

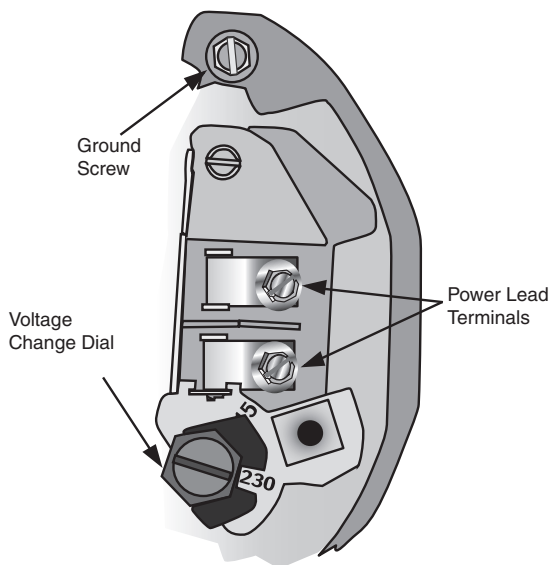
If you have a dual-voltage motor, and will connect it to 115 volts, follow the procedure below.



**Figure 6: Removing Motor End Cover**

You will need to remove the motor end cover to change the voltage setting.

Your motor terminal board (located under the motor end cover) should look like that shown below.

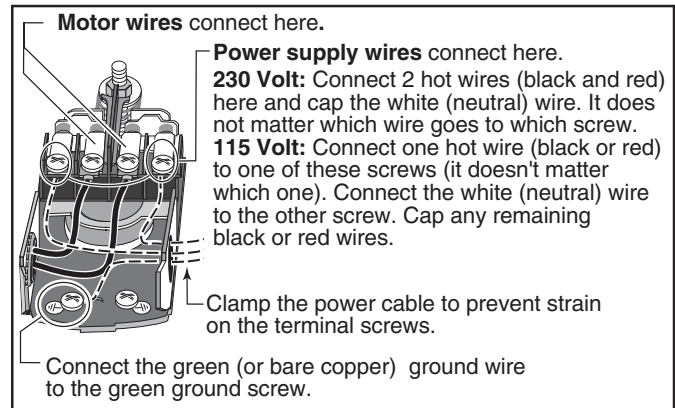


**Figure 7: Voltage set to 230 volts, Dial Type**

To change to 115 volts:

- Step 1. Make sure power is off.
- Step 2. Turn the dial counter-clockwise until 115 shows in the dial window.
- Step 3. The wires from the pressure switch should already be attached to the power lead terminals.
- Step 4. Reinstall the Motor end cover.

## Pressure Switch Wiring



**Figure 8: Pressure Switch Wiring**

Step 5. Go to Wiring Connections below.

**⚠ WARNING Hazardous voltage. Can shock, burn, or kill. Connect ground wire before connecting power supply wires. Use the wire size (including the ground wire) specified in the wiring chart. If possible, connect the pump to a separate branch circuit with no other appliances on it.**

**⚠ WARNING Explosion hazard. Do not ground to a gas supply line.**

## WIRING CONNECTIONS

**⚠ WARNING Fire hazard. Incorrect voltage can cause a fire or seriously damage the motor and voids the warranty. The supply voltage must be within ±10% of the motor nameplate voltage.**

**NOTICE:** Dual-voltage motors are factory wired for 230 volts. If necessary, reconnect the motor for 115 volts, as shown. Do not alter the wiring in single voltage motors.

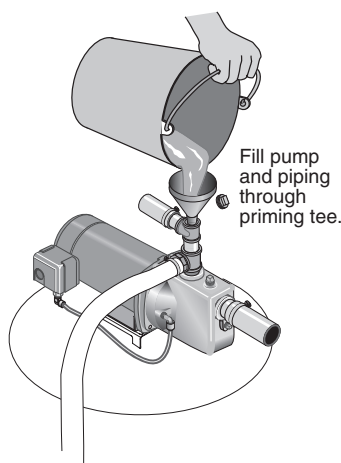
Install, ground, wire, and maintain your pump in compliance with the National Electrical Code (NEC) or the Canadian Electrical Code (CEC), as applicable, and with all local codes and ordinances that apply. Consult your local building inspector for code information.

## Connection Procedure:

1. Connect the ground wire first as shown in Figure 8. The ground wire must be a solid copper wire at least as large as the power supply wires.
2. There must be a solid metal connection between the pressure switch and the motor for motor grounding protection. If the pressure switch is not connected to the motor, connect the green ground screw in the switch to the green ground screw under the motor end cover. Use a solid copper wire at least as large as the power supply wires.
3. Connect the ground wire to a grounded lead in a service panel, to a metal underground water pipe, to a metal well casing at least ten feet (3M) long, or to a ground electrode provided by the power company or the hydro authority.
4. Connect the power supply wires to the pressure switch as shown in Figure 8, Page 7.

## Preparing to Start the Pump

**CAUTION** Never run pump dry. Running pump without water may cause pump to overheat, damaging seal and possibly causing burns to persons handling pump. Fill pump with water before starting.



1866 0795FH

Figure 9: Prime the Pump

**WARNING** Never run pump against closed discharge. To do so can boil water inside pump, causing hazardous pressure in unit, risk of explosion and possibly scalding persons handling pump.

1. Remove the priming plug from the priming tee and fill the pump. Fill all piping between the pump and the well and make sure that all piping in the well is full. If you have also installed a priming tee in the suction piping, remove the plug from the tee and fill the suction piping. See Figure 9.
2. Replace all fill plugs.
3. **Power on!** Start the pump. If you don't have water after 2 or 3 minutes, stop the pump and remove the fill plugs. Refill the pump and piping. You may have to repeat this several times in order to get all the trapped air out of the piping. A pump lifting water 25' may take as long as 15 minutes to prime.
4. After the pump has built up pressure in the system and shut off, check the pressure switch operation by opening a faucet or two and running enough water out to bleed off pressure until the pump starts. The pump should start when pressure drops to 30 PSI and stop when pressure reaches 50 PSI. Run the pump through one or two complete cycles to verify correct operation. This will also help clean the system of dirt and scale dislodged during installation.

**Congratulations on a successful installation.**

If you were unsuccessful, please refer to the Troubleshooting section (Page 10).

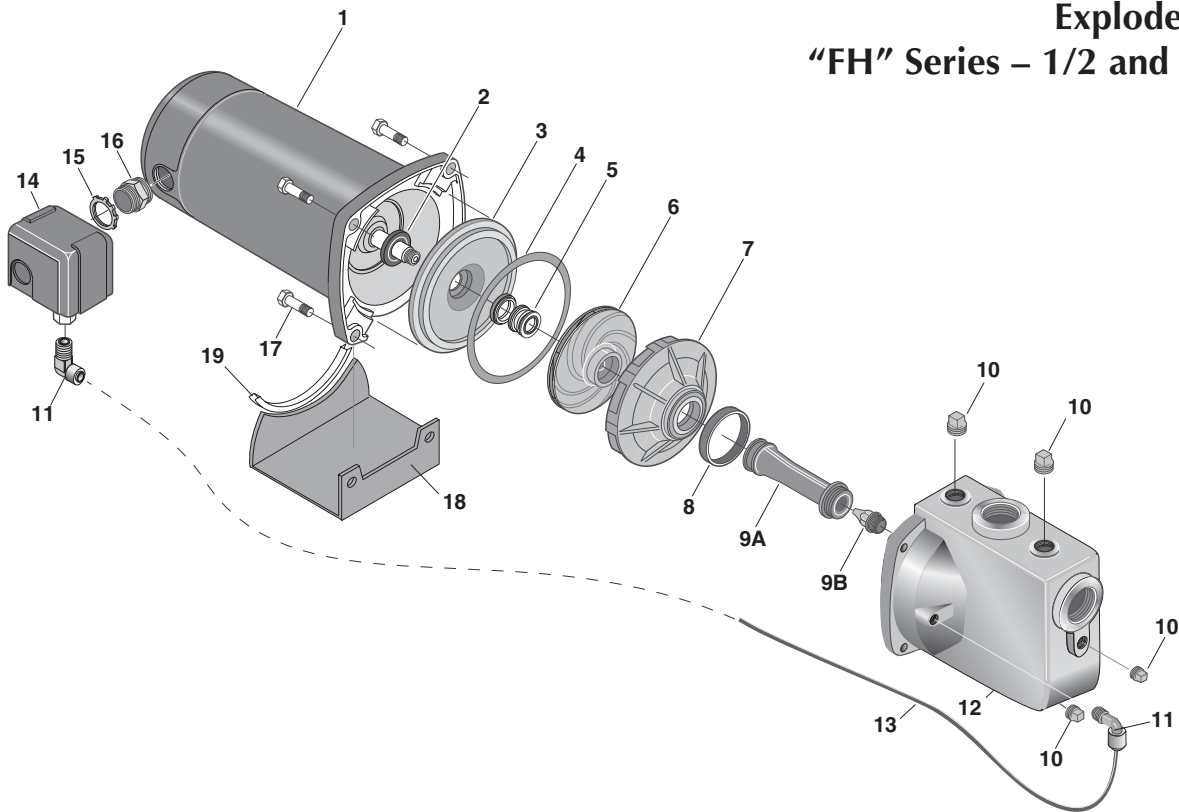
## Wiring Chart – Recommended Wire and Fuse Sizes

Series	Motor HP	Volts	Max. Load Amp	Branch Fuse Rating Amp	DISTANCE IN FEET(METERS) FROM MOTOR TO SUPPLY				
					0 - 100 (0 - 30)	101 - 200 (31 - 61)	201 - 300 (62 - 91)	301 - 400 (92 - 122)	401 - 500 (123 - 152)
					AWG WIRE SIZE (mm <sup>2</sup> )				
FH50	1/2	115/230	9.4/4.7	15/15	14/14(2/2)	10/14(5.5/2)	10/14(5.5/2)	6/14(14/2)	6/12(14/3)
BFH50	1/2	115/230	9.4/4.7	15/15	14/14(2/2)	10/14(5.5/2)	10/14(5.5/2)	6/14(14/2)	6/12(14/3)
FH50S*	1/2	115/230	9.4/4.7	15/15	14/14(2/2)	10/14(5.5/2)	10/14(5.5/2)	6/14(14/2)	6/12(14/3)
FHP50*	1/2	115/230	9.4/4.7	15/15	14/14(2/2)	10/14(5.5/2)	10/14(5.5/2)	6/14(14/2)	6/12(14/3)
FH75*	3/4	115/230	12.2/6.1	20/15	12/14(3/2)	10/14(5.5/2)	8/14(8.4/2)	6/12(14/3)	6/12(14/3)

\*These models are no longer available for sale. Informational only.



## Exploded View "FH" Series – 1/2 and 3/4 HP



### REPAIR PARTS LIST: "FH" Series, 1/2 and 3/4 HP

Key No.	Part Description	No. Used	Model and Horsepower			
			BFH50, FH50 1/2 HP	FH50S* 1/2 HP	FHP50* 1/2 HP	FH75* 3/4 HP
1	Motor, 115/230V	1	77012B	77013B	77013B	77014B
2	Water Slinger	1	17351-0009	17351-0009	17351-0009	17351-0009
3	Seal Plate Assembly (Incl. #5)	1	056592	056592	056592	056592
4	Seal Plate Gasket	1	C20-77	C20-77	C20-77	C20-77
5	Shaft Seal	1	U109-6A	U109-6A	U109-6A	U109-6A
6	Impeller	1	A56712	A56712	A56712	A56712
7	Diffuser	1	056796	056796	056796	056796
8	Diffuser Ring	1	L21-1	L21-1	L21-1	L21-1
9A	Venturi	1	27396	34397	34398	27403
9B	Nozzle	1	27921	27925	27922	27926
10	Capscrew 1/4-18 Square Head	1	27061LT	27061LT	27061LT	27061LT
11	1/4" NPT 90 Degree Connector	2	U11-218P	U11-218P	U11-218P	U11-218P
12	Tank Body	1	34712	34712	34712	34712
13	Pressure Switch Tube	1	U37-677P	U37-677P	U37-677P	U37-677P
14	Pressure Switch	1	74782	74782	74782	74782
15	Locknut 1/2"	1	U36-112ZP	U36-112ZP	U36-112ZP	U36-112ZP
16	Connector 1/2"	1	L43-5C	L43-5C	L43-5C	L43-5C
17	Capscrew #3/8-16	4	U30-75ZP	U30-75ZP	U30-75ZP	U30-75ZP
18	Base Assembly Painted	1	J4-9	J4-9	J4-9	J4-9
19	Rubber Pad	1	32364	32364	32364	32364

\*These models are no longer available for sale. Informational only.

SYMPTOM	POSSIBLE CAUSE(S)	CORRECTIVE ACTION
Motor will not run	<p>Disconnect switch is off Fuse is blown or circuit breaker tripped Starting switch is defective Wires at motor are loose, disconnected, or wired incorrectly</p> <p>Pressure switch contacts are dirty</p>	<p>Be sure switch is on. Replace fuse or reset circuit breaker. DISCONNECT POWER; Replace starting switch. Refer to instructions on wiring (Page 7). DISCONNECT POWER; check and tighten all wiring.</p> <p><b>⚠️ WARNING</b> Capacitor voltage may be hazardous. To discharge capacitor, hold insulated handle screwdriver BY THE HANDLE and short capacitor terminals together. Do not touch metal screwdriver blade or capacitor terminals. If in doubt, consult a qualified electrician. DISCONNECT POWER and file contacts with emery board or nail file.</p>
Motor runs hot and overload kicks off	<p>Motor is wired incorrectly Voltage is too low</p> <p>Pump cycles too frequently</p>	<p>Refer to instructions on wiring. Check with power company. Install heavier wiring if wire size is too small (See Electrical / Wiring Chart). See section below on too frequent cycling.</p>
<p>Motor runs but no water is delivered*</p> <p>* (Note: Stop pump; then check prime before looking for other causes. Unscrew priming plug and see if water is in priming hole).</p>	<p>Pump in new installation did not pick up prime through:</p> <ol style="list-style-type: none"> <li>1. Improper priming</li> <li>2. Air leaks</li> <li>3. Leaking foot valve or check valve</li> </ol> <p>Pump has lost prime through:</p> <ol style="list-style-type: none"> <li>1. Air leaks</li> <li>2. Water level below suction pipe inlet</li> </ol> <p>Foot valve or strainer is plugged Ejector or impeller is plugged Check valve or foot valve is stuck shut Pipes are frozen Foot valve and/or strainer are buried in sand or mud Water level is too low for shallow well setup to deliver water</p>	<p>In new installation:</p> <ol style="list-style-type: none"> <li>1. Re-prime according to instructions.</li> <li>2. Check all connections on suction line, AVC, and ejector with soapy water or shaving cream.</li> <li>3. Replace foot valve or check valve.</li> </ol> <p>In installation already in use:</p> <ol style="list-style-type: none"> <li>1. Check all connections on suction line and shaft seal.</li> <li>2. Lower suction line into water and re-prime. If receding water level in well exceeds 25' (7.6M), a deep well pump is needed.</li> </ol> <p>Clean foot valve or strainer. Clean ejector or impeller. Replace check valve or foot valve. Thaw pipes. Bury pipes below frost line. Heat pit or pump house. Raise foot valve and/or strainer above bottom of water source. Clean foot valve and strainer. A deep well jet package may be needed (over 25 ft. to water) to deliver water.</p>
Pump does not deliver water to full capacity	<p>Water level in well is lower than estimated Steel piping (if used) is corroded or limed, causing excess friction Piping is too small in size Packed well point</p>	<p>A deep well jet will be needed if your well is more than 25' (7.6M) depth to water. Replace with plastic pipe where possible, otherwise with new steel pipe.</p> <p>Use larger piping. Backflush well point or sink new point.</p>
Pump delivers water but does not shut off or pump cycles too frequently	<p>Pressure switch is out of adjustment or contacts are welded together Faucets have been left open Venturi, nozzle or impeller is clogged Standard pressure tank is waterlogged and has no air cushion Pipes leak Foot valves leak Air charge too low in pre-charged tank</p>	<p>DISCONNECT POWER; adjust or replace pressure switch.</p> <p>Close faucets. Clean venturi, nozzle or impeller. Drain tank to air volume control port. Check AVC for defects. Check all connections for air leaks. Check connections. Replace foot valve. DISCONNECT POWER and open faucets until all pressure is relieved. Using tire pressure gauge, check air pressure in tank at valve stem located on the tank. If less than pressure switch cut-in setting (30-50 PSI), pump air into tank from outside source until air pressure is 2 PSI less than cut-in setting of switch. Check air valve for leaks (use soapy solution) and replace core if necessary.</p>
Air spurts from faucets	<p>Pump is picking up prime Leak in suction side of pump Well is gaseous Intermittent over-pumping of well. (Water drawn down below foot valve.)</p>	<p>When pump has picked up prime, it should pump solid water with no air. Suction pipe is sucking air. Check joints for leaks with soapy water. Consult factory about installing a sleeve in the well. Lower foot valve if possible, otherwise restrict pump discharge.</p>

# NOTICE D'INSTALLATION ET DE FONCTIONNEMENT

Pompes de série FH

Puissance : 1/2 et 3/4 chevaux  
60 cycles

Installation des pompes à moteur monophasé

## Dossier du propriétaire

Modèle de la pompe: \_\_\_\_\_

N° de série de la pompe: \_\_\_\_\_

Code de date de la pompe: \_\_\_\_\_

Puissance du moteur (en ch) \_\_\_\_\_ Tension en volts \_\_\_\_\_ Phase(s) \_\_\_\_\_

Date de l'installation: \_\_\_\_\_

Propriétaire: \_\_\_\_\_

Installateur: \_\_\_\_\_

Numéro de téléphone de l'installateur: \_\_\_\_\_

## LIRE TOUTES CES CONSIGNES DE SÉCURITÉ ET LES SUIVRE!

**⚠** Ce symbole indique qu'il faut être prudent. Lorsque ce symbole apparaît sur la pompe ou dans cette Notice, rechercher une des mises en garde qui suivent, car elles indiquent un potentiel possible de blessures corporelles :

**⚠ DANGER** avertit d'un danger **qui causera** des blessures corporelles, la mort ou des dommages matériels importants si on l'ignore.

**⚠ AVERTISSEMENT** avertit d'un danger **qui risque** de causer des blessures corporelles, la mort ou des dommages matériels importants si on l'ignore.

**⚠ ATTENTION** avertit d'un danger qui **causera** ou qui **risquera** de causer des blessures corporelles, la mort ou des dommages matériels importants si on l'ignore.

Le mot **REMARQUE** indique des instructions spéciales et importantes n'ayant aucun rapport avec les dangers.

**Lire attentivement toutes les consignes de sécurité contenues dans cette Notice et collées sur la pompe.**

Garder les étiquettes relatives à la sécurité en bon état.

Remplacer les étiquettes relatives à la sécurité si elles manquent ou si elles ont été endommagées.

### Avertissement lié à la Proposition 65 de la Californie

**⚠ AVERTISSEMENT** Ce produit et les accessoires connexes contiennent des produits chimiques reconnus dans l'État de la Californie comme pouvant provoquer des cancers, des anomalies congénitales ou d'autres dangers relatifs à la reproduction.

## CONSIGNES DE SÉCURITÉ CONCERNANT L'ÉLECTRICITÉ

**⚠ AVERTISSEMENT** La tension du condensateur peut être dangereuse. Pour décharger le condensateur du moteur, tenir un tournevis à manche isolé **PAR LE MANCHE** et mettre en court-circuit les bornes du condensateur. Ne pas toucher la lame métallique du tournevis ni les bornes du condensateur. En cas de doute, consulter un électricien qualifié.

## CONSIGNES DE SÉCURITÉ GÉNÉRALES

**⚠ ATTENTION** Ne pas toucher un moteur qui fonctionne. Les moteurs modernes sont conçus pour fonctionner par des températures élevées. Pour ne pas se brûler si on doit intervenir sur la pompe, la laisser refroidir, avant de la toucher, pendant 20 minutes après l'avoir arrêtée.

Ne pas laisser geler la pompe ni aucun composant du système. Ceci annulerait la garantie.

Ne pomper que de l'eau avec cette pompe.

Périodiquement, inspecter la pompe et tous les composants du système.

Toujours porter des lunettes de sécurité lorsqu'on intervient sur une pompe.

Garder la zone de travail propre, non encombrée et bien éclairée. Tous les outils et tout l'équipement non utilisés doivent être rangés correctement.

Ne laisser personne s'approcher de la zone de travail.

**⚠ AVERTISSEMENT** Le corps de la pompe peut exploser si elle est utilisée comme pompe de surpression, à moins d'y installer une soupape de sûreté pouvant accepter un débit de 75 lb/po<sup>2</sup>.

**⚠ AVERTISSEMENT**



Tension dangereuse. Risque de secousses électriques, de brûlures, voire de mort.

Mettre à la terre la pompe avant de la brancher sur le courant électrique. Couper l'arrivée de courant avant d'intervenir sur la pompe, sur le moteur ou sur le réservoir.

**⚠** Câbler le moteur en fonction de la bonne tension. Se reporter à la rubrique «Électricité» de cette Notice et à la plaque signalétique du moteur.

**⚠** Mettre à la terre le moteur avant de le brancher sur le courant électrique.

**⚠** Conforme au National Electrical Code, au Code canadien de l'électricité et aux codes municipaux pour tous les câblages.

**⚠** Respecter les instructions de câblage figurant dans cette Notice lorsqu'on branche le moteur sur le courant électrique.

**⚠ AVERTISSEMENT**



Pression dangereuse! Poser une soupape de sûreté sur le tuyau de refoulement.

Dissiper toute la pression du système avant d'intervenir sur un composant.

	Page
Consignes de sécurité générale.....	12
Garantie.....	13
Installation (pompes pour puits).....	14,15
Raccordement du tuyau de refoulement.....	16
Électricité.....	17,18
Préparation avant la mise en service de la pompe.....	18
Pièces de rechange .....	19
Recherche des pannes .....	20

## Garantie limitée

PENTAIR garantit au consommateur initial (ci-après appelé l'« Acheteur ») que les produits énumérés dans les présentes sont exempts de défaut de matériau et de fabrication pendant la durée des garanties à compter de la durée des garanties indiquées ci-dessous.

Produits	Durée des garanties
Produits de systèmes d'eau — Pompes à éjecteur, petites pompes centrifuges, pompes submersibles et tous les accessoires connexes	<i>Selon le premier terme atteint :</i> 12 mois à compter de la date de la première installation ou 18 mois à compter de la date de fabrication
PENTEK INTELLIDRIVE™	12 mois à compter de la date de la première installation ou 18 mois à compter de la date de fabrication
Réservoirs composites Pro-Source™	5 ans à compter de la date de la première installation
Réservoirs sous pression en acier Pro-Source™	5 ans à compter de la date de la première installation
Réservoirs revêtus d'époxyde Pro-Source™	3 ans à compter de la date de la première installation
Produits de puisard/d'égout/d'effluents	12 mois à compter de la date de la première installation ou 18 mois à compter de la date de fabrication

Nos garanties ne s'appliquent pas aux produits ayant fait l'objet de négligence, d'une mauvaise utilisation, d'une mauvaise installation ou d'un manque d'entretien adéquat. Sans aucune limitation des présentes, la garantie des moteurs triphasés submersibles sera nulle et non avenue si ces moteurs sont branchés et fonctionnent sur le courant monophasé par l'intermédiaire d'un déphaseur. Il faut également noter que les moteurs triphasés doivent être protégés par un relais de surcharge tripolaire thermocompensé à déclenchement extrêmement rapide du calibre recommandé, sinon la garantie sera nulle et non avenue.

Le seul recours de l'Acheteur et la seule responsabilité de PENTAIR consistent à réparer ou à remplacer (au choix de PENTAIR) les produits qui se révéleraient défectueux. L'Acheteur s'engage à payer tous les frais de main-d'œuvre et d'expédition du produit couvert par sa garantie et de s'adresser au concessionnaire-installateur ayant procédé à l'installation dès qu'un problème est découvert pour obtenir un service sous garantie. Aucune demande de service en vertu de sa garantie ne sera acceptée après expiration de la durée de sa garantie. Ces garanties ne sont pas transférables.

PENTAIR DÉCLINE TOUTE RESPONSABILITÉ POUR TOUT DOMMAGE INDIRECT OU FORTUIT QUEL QU'IL SOIT.

LA GARANTIE LIMITÉE SUSMENTIONNÉE EST EXCLUSIVE ET REMPLACE TOUTES LES AUTRES GARANTIES EXPRESSES ET TACITES, Y COMPRIS, MAIS SANS S'Y LIMITER, LES GARANTIES DE QUALITÉ MARCHANDE ET D'ADAPTATION À UN USAGE PARTICULIER. LA GARANTIE LIMITÉE SUSMENTIONNÉE NE DOIT PAS ÊTRE PROLONGÉE AU-DELÀ DE LA DURÉE PRÉVUE AUX PRÉSENTES.

Certains états, territoires et certaines provinces ne permettent pas l'exclusion ou la limitation des dommages indirects ou fortuits, ni les limitations relatives à la durée des garanties tacites. Par conséquent, il se peut que les limitations ou les exclusions stipulées dans les présentes ne s'appliquent pas dans ce cas. Ces garanties accordent des droits juridiques précis, bien que l'on puisse bénéficier d'autres droits, selon la province, le territoire ou l'état dans lequel on réside.

La présente garantie limitée est entrée en vigueur le 1er juin 2011 et remplace toute garantie non datée ou antérieure à cette date.

**PENTAIR**

**293 Wright St., Delavan, WI 53115**

**Téléphone : 1 262 728-5551 • Télécopieur : 1 262 728-7323**

## REPLACEMENT D'UNE ANCIENNE POMPE

**⚠ AVERTISSEMENT** Tension dangereuse. Débrancher la pompe avant d'intervenir sur la pompe ou le moteur.

- 1° Vider et déposer l'ancienne pompe. Rechercher toute trace de tartre, de calcaire, de rouille, etc., sur l'ancienne canalisation; au besoin, la remplacer.
- 2° Installer la pompe dans le système. S'assurer que tous les joints de la conduite d'aspiration sont hermétiques et étanches. *Si la conduite peut aspirer de l'air, la pompe ne pourra pas pomper l'eau du puits.*
- 3° Régler la hauteur de la pompe de façon que les raccords n'entraînent aucune contrainte sur la pompe. Consolider le tuyau afin que le corps de la pompe ne doive pas supporter le poids de la conduite ou des raccords.

**L'installation de la tuyauterie pour la nouvelle pompe à éjecteur pour puits peu profond est maintenant terminée. Voir à la page 16 le raccordement du tuyau de refoulement et du réservoir.**

## INSTALLATION AVEC POINTE FILTRANTE (FIGURE 1)

- 1° Forer le puits à l'aide de «raccords de forage» et d'un «bouchon de forage». Les «raccords de forage» sont filetés sur toute leur longueur afin de pouvoir faire buter les bouts des tuyaux de façon que la force de la massue soit absorbée par le tuyau, et non pas par les filetages. Les raccords ordinaires vendus en quincaillerie ne sont pas filetés sur toute leur longueur et peuvent être déformés par les chocs. Les «raccords de forage» sont aussi plus lisses que les raccords ordinaires, ce qui facilite la pénétration dans le sol.
- 2° Monter la pompe aussi près que possible du puits.

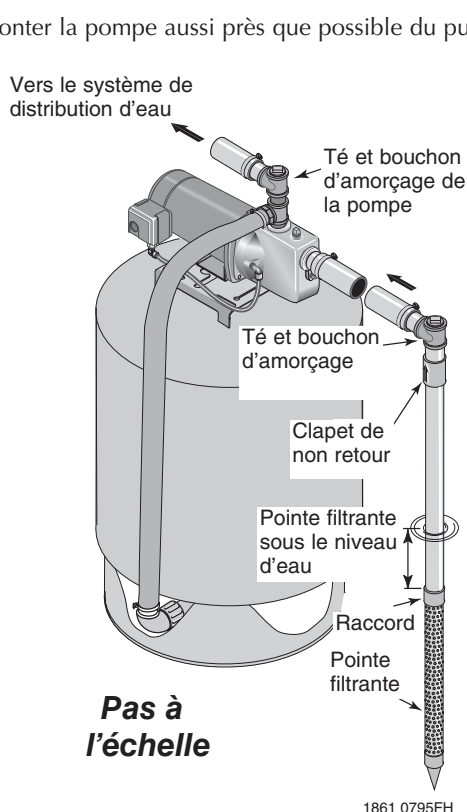


Figure 1 : Installation avec pointe filtrante

- 3° Utiliser le moins de raccords possible (surtout s'il s'agit de coudes) pour la canalisation entre le puits et l'orifice d'aspiration de la pompe. Le tuyau d'aspiration de la pompe doit être d'un diamètre aussi gros que celui de l'orifice d'aspiration de la pompe (prévoir un clapet de non retour si la pompe n'en possède pas; voir Figure 1). Fixer et consolider la canalisation de façon à éliminer tout point bas ou affaissement, à éviter toute contrainte sur le corps de la pompe et à obtenir une légère rampe vers le haut entre le puits et la pompe (tout point haut peut former une poche d'air qui peut s'opposer au passage de l'eau). Rendre étanches les joints du tuyau d'aspiration avec du ruban d'étanchéité en PTFE pour filetage. Les joints doivent être hermétiques et étanches. *Si la conduite peut aspirer de l'air, la pompe ne pourra pas pomper l'eau du puits.* Si le débit d'une seule pointe ne suffit pas, on peut raccorder deux ou trois pointes sur le tuyau d'aspiration.

**L'installation de la tuyauterie pour la nouvelle pompe à éjecteur pour puits peu profond est maintenant terminée. Voir à la page 16 le raccordement du tuyau de refoulement et du réservoir.**

## INSTALLATION AVEC PUIITS TUBÉ, À TUBAGE DE 2 PO OU PLUS (FIGURE 2)

- 1° Monter la pompe aussi près que possible du puits.
- 2° Assembler le clapet de pied, la crépine et le tuyau du puits (voir Figure 2). S'assurer que le clapet fonctionne bien.
- 3° Abaisser le tuyau dans le puits jusqu'à ce que la crépine soit à 1,50 mètre (cinq pieds) au-dessus du fond du puits. Elle doit aussi être à au moins 3 mètres (dix pieds) en dessous du niveau d'eau du puits *lorsque la pompe fonctionne* afin d'éviter que la pompe n'aspire de l'air. Installer un joint sanitaire de puits.

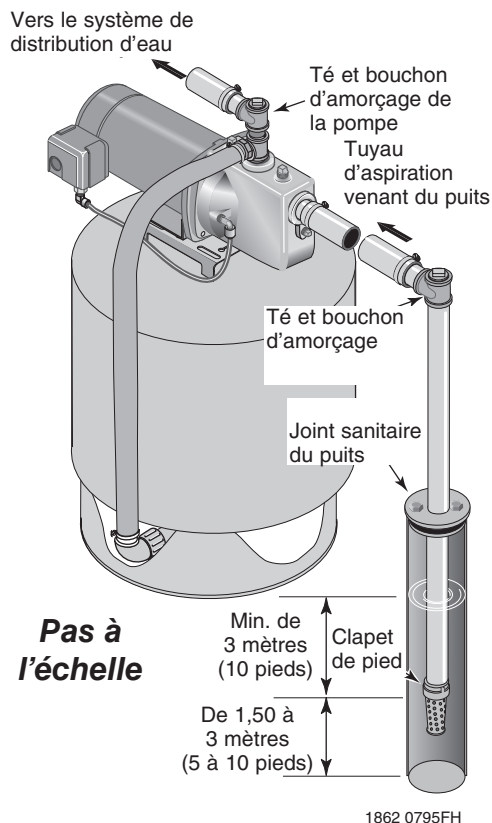


Figure 2 : Installation avec puits tubé

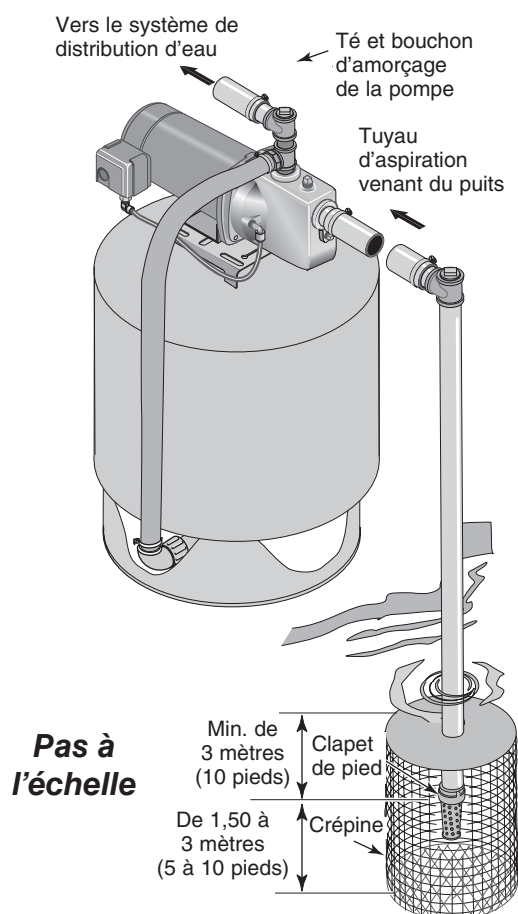
- 4° Installer un té d'amorçage, un bouchon d'amorçage et un tuyau d'aspiration sur la pompe (voir Figure 2). Raccorder le tuyau venant du puits à l'orifice d'aspiration de la pompe, en utilisant le moins de raccords possible (surtout s'il s'agit de coudes) car les raccords augmentent les frottements dans le tuyau (cependant, incorporer un clapet de pied - voir Figure 2). Le tuyau d'aspiration de la pompe doit être d'un diamètre aussi gros que celui de l'orifice d'aspiration de la pompe. Utiliser du ruban d'étanchéité en PTFE pour filetage sur les raccords de tuyaux filetés. Fixer et consolider la canalisation de façon à éliminer tout point bas ou affaissement, à éviter toute contrainte sur le corps de la pompe et à obtenir une légère rampe vers le haut entre le puits et la pompe (tout point haut peut former une poche d'air qui peut s'opposer au passage de l'eau). Rendre étanches les joints du tuyau d'aspiration avec du ruban d'étanchéité en PTFE pour filetage. Les joints doivent être hermétiques et étanches. *Si la conduite peut aspirer de l'air, la pompe ne pourra pas pomper l'eau du puits.*

**L'installation de la tuyauterie pour la nouvelle pompe à éjecteur pour puits peu profond est maintenant terminée. Voir à la page 16 le raccordement du tuyau de refoulement et du réservoir.**

## INSTALLATION POUR EAUX DE SURFACE (FIGURE 3)

- 1° La pompe doit être installée aussi près que possible de l'eau, en utilisant le moins de raccords possible (surtout s'il s'agit de coudes) pour le tuyau d'aspiration. Ce tuyau doit être d'un diamètre aussi gros que celui de l'orifice d'aspiration de la pompe.
- 2° Assembler un clapet de pied et un tuyau d'aspiration (voir Figure 3). S'assurer que le clapet fonctionne bien. Utiliser du ruban d'étanchéité en PTFE pour filetage sur les raccords de tuyaux filetés. Protéger le clapet contre le colmatage par les poissons ou les débris en l'entourant d'une crépine (voir Figure 3).
- 3° Abaisser le tuyau dans l'eau jusqu'à ce que la crépine soit à 1,50 mètre (cinq pieds) du fond de l'eau. Elle doit aussi être à au moins 3 mètres (dix pieds) en dessous du niveau d'eau du puits afin d'éviter que la pompe n'aspire de l'air.
- 4° Installer un té d'amorçage, un bouchon d'amorçage et un tuyau d'aspiration sur la pompe (voir Figure 3). Fixer et consolider la canalisation de façon à éliminer tout point bas ou affaissement, à éviter toute contrainte sur le corps de la pompe et à obtenir une légère rampe vers le haut entre le puits et la pompe (tout point haut peut former une poche d'air qui peut s'opposer au passage de l'eau). Rendre étanches les joints du tuyau d'aspiration avec du ruban d'étanchéité en PTFE pour filetage. Les joints doivent être hermétiques et étanches. *Si la conduite peut aspirer de l'air, la pompe ne pourra pas pomper l'eau du puits.*

**L'installation de la tuyauterie pour la nouvelle pompe à éjecteur pour puits peu profond est maintenant terminée. Voir à la page 16 le raccordement du tuyau de refoulement et du réservoir.**



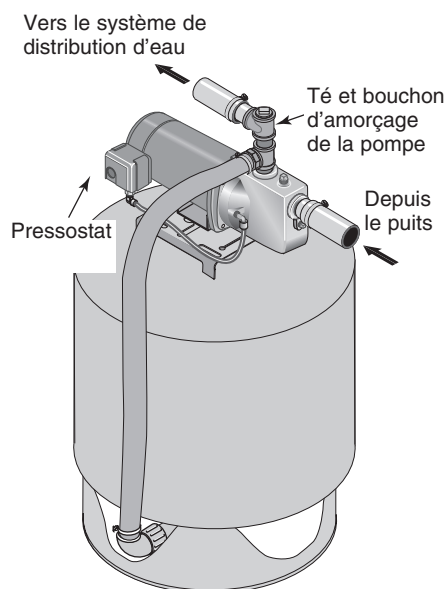
**Figure 3 : Installation pour eaux de surface**

## RACCORDEMENT D'UN RÉSERVOIR PRÉCHARGÉ (FIGURE 4)

- 1° Installer deux té dans l'orifice de refoulement de la pompe (voir Figure 4). Le tuyau doit être d'un diamètre aussi gros que celui de l'orifice de refoulement.
- 2° Installer un tuyau ou un tuyau souple renforcé entre une branche du premier té et l'orifice du réservoir préchargé.
- 3° Brancher l'autre bout du té de refoulement au système de plomberie.
- 4° Vérifier la précharge d'air dans le réservoir à l'aide d'un manomètre pour pneus. La précharge doit être inférieure de 2 lb/po<sup>2</sup> au réglage de déclenchement du pressostat de la pompe. *Mesurer la précharge lorsqu'il n'y a aucune pression d'eau dans le réservoir.* La nouvelle pompe a un pressostat de 30 à 50 lb/po<sup>2</sup>; il faut donc régler la pression de précharge du réservoir à 28 lb/po<sup>2</sup>.

**Félicitations! Vous venez de terminer le raccordement du réservoir à la pompe à éjecteur.**

Voir le raccordement électrique aux pages 17 et 18.



1864 0795 FH

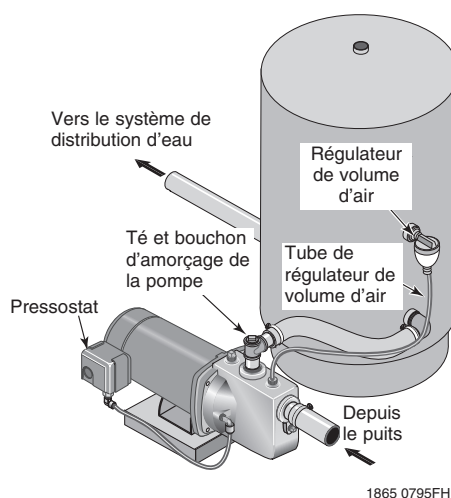
**Figure 4 : Raccordement de réservoir préchargé**

## RACCORDEMENT D'UN RÉSERVOIR STANDARD (FIGURE 5)

- 1° Installer un té dans l'orifice de refoulement de la pompe (voir Figure 5).
- 2° Installer un tuyau entre l'orifice de refoulement de la pompe et l'orifice d'entrée du réservoir. Le tuyau doit être d'un diamètre aussi gros que celui de l'orifice de refoulement.
- 3° Déposer le bouchon tubulaire de 1/8 po NPT du régulateur de volume d'air (AVC) de la pompe (voir Figure 5). Installer un tube entre l'orifice AVC de la pompe (voir Figure 5) et l'orifice du régulateur monté sur le réservoir. Pour plus de détails, se reporter aux notices fournies avec le réservoir et le régulateur AVC. L'emplacement de l'orifice de l'AVC peut varier selon le modèle de pompe utilisé (voir les vues éclatées à la page 9).

**Félicitations! Vous venez de terminer le raccordement du réservoir à la pompe à éjecteur.**

Voir le raccordement électrique aux pages 17 et 18.



1865 0795FH

**Figure 5 : Raccordement de réservoir standard**

### Étanchéité des raccords filetés

Effectuer tous les raccords filetés à la pompe seulement avec du ruban d'étanchéité en PTFE pour filetage. **Ne pas utiliser de pâte à joints sur les pompes en plastique;** la pâte peut endommager le plastique des pièces de la pompe. S'assurer que tous les joints du tuyau d'aspiration sont hermétiques et étanches. *Si la conduite peut aspirer de l'air, la pompe ne pourra pas pomper l'eau du puits.*



**⚠** Couper le courant avant d'intervenir sur la pompe, le moteur, le pressostat ou le câblage.

## RÉGLAGES DU COMMUTATEUR MOTEUR

Moteurs bitension (ceux qui fonctionnent sur le courant de 115 ou 230 volts) sont réglés à l'usine pour fonctionner sur le courant de 230 volts. Ne pas modifier ce réglage si la tension du secteur est de 230 volts ou si le moteur est à tension simple.  
REMARQUE : Ne jamais brancher un moteur de 115 volts sur le courant de 230 volts.

### Dépose du couvercle de moteur

Si on prévoit brancher un moteur bitension sur le courant de 115 volts, procéder comme il est indiqué à la page suivante. Le couvercle du moteur devra être déposé pour modifier le réglage de la tension.

La palette à bornes du moteur (qui se trouve sous le

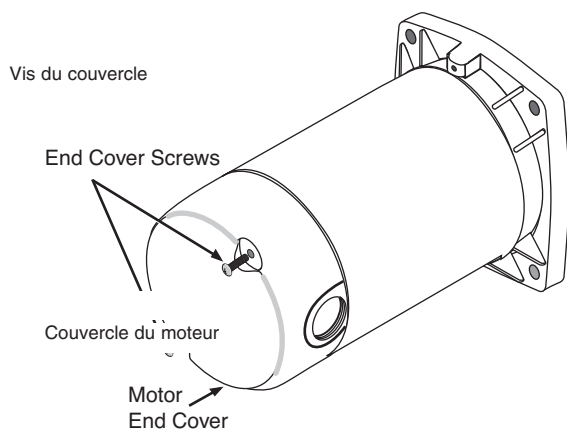


Figure 6: Dépose du couvercle du moteur

couvercle du moteur) doit ressembler à celle montrée ci-dessous.

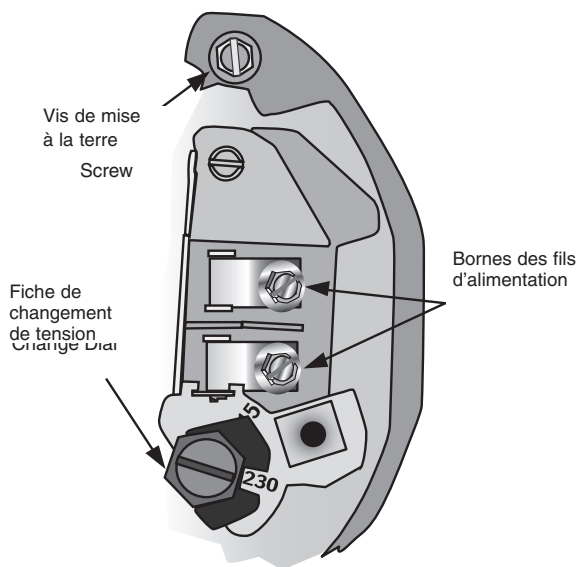


Figure 7: Tension réglée sur le courant de 230 volts. Sélecteur rotatif

Pour faire fonctionner le moteur sur le courant de 115 volts :

- 1° S'assurer que le courant est coupé.
- 2° Tourner le sélecteur à gauche jusqu'à ce que « 115 » soit indiqué dans son ouverture.
- 3° Les fils du manostat doivent déjà être branchés sur les bornes.
- 4° Reposer le couvercle du moteur.

### Câblage du manostat

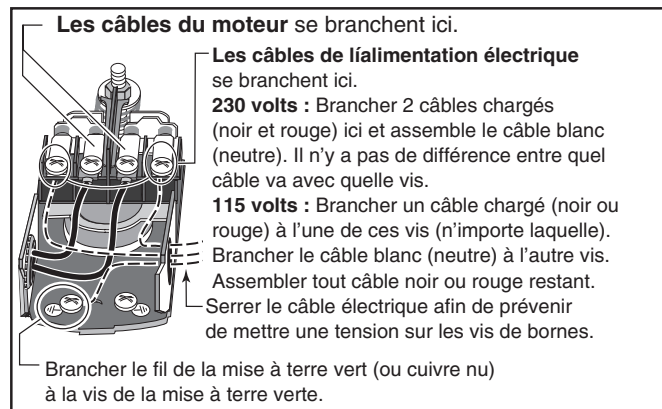


Figure 8: Câblage du manostat

- 5° Voir connexions de câblage ci-dessous.

**⚠ AVERTISSEMENT** Tension dangereuse. Risque de secousses électriques, de brûlures, voire de mort. Brancher le fil de mise à la terre avant de brancher les fils d'alimentation en courant. Utiliser des fils dont le diamètre (calibre) (y compris le fil de mise à la terre) est spécifié dans le « Tableau de câblage ». Dans la mesure du possible, brancher la pompe sur un circuit de dérivation séparé sur lequel aucun autre appareil ne sera branché.

**⚠ AVERTISSEMENT** Risque d'explosion. Ne pas brancher le fil de mise à la terre sur une conduite de gaz.

## CONNEXIONS DU CÂBLAGE

**⚠ AVERTISSEMENT** Risque d'incendie. Une mauvaise tension risque de causer un incendie ou d'endommager sérieusement le moteur, ce qui annulera la garantie. La tension du courant d'alimentation doit correspondre à la tension indiquée sur la plaque signalétique du moteur à  $\pm 10\%$ .

**REMARQUE :** Les moteurs bitension sont câblés à l'usine pour fonctionner sur le courant de 230 volts. Au besoin, rebrancher le moteur pour qu'il fonctionne sur le courant de 115 volts, comme il est illustré. Ne pas modifier le câblage des moteurs à tension simple.

Brancher, mettre à la terre, puis câbler et entretenir la pompe conformément au National Electrical Code (NEC) ou au Code canadien de l'électricité, selon le cas, et conformément à tous les décrets et codes de la municipalité en vigueur. Pour tout renseignement concernant les codes, s'adresser à l'inspecteur des bâtiments de la municipalité.

## Connexion :

1. Brancher tout d'abord le fil de mise à la terre, comme il est illustré à la Figure 8. Ce fil de mise à la terre doit être un fil de cuivre plein dont le diamètre sera aussi gros que les fils d'alimentation en courant.
2. Il doit y avoir une connexion métallique solide entre le pressostat et le moteur pour la protection de mise à la terre du moteur. Si le pressostat n'est pas branché sur le moteur, brancher un fil de cuivre plein dont le diamètre sera au moins aussi gros que celui des fils d'alimentation en courant entre la vis verte de mise à la terre du pressostat et la vis verte de mise à la terre qui se trouve sous le couvercle du moteur.
3. Brancher le fil de terre sur un fil de mise à la terre du panneau de distribution, sur un tuyau d'eau métallique enterré, sur le tubage métallique d'un puits ayant au moins 3 mètres (10 pieds) de long ou sur une électrode de mise à la terre qu'on pourra se procurer auprès de la compagnie d'électricité ou des autorités d'Hydro.
4. Brancher les fils d'alimentation en courant sur le pressostat, comme il est illustré à la Figure 8, page 17.

## Préparation avant la mise en service de la pompe

### **ATTENTION** Ne jamais faire fonctionner la pompe à sec.

La faire fonctionner sans eau risque de causer sa surchauffe, d'endommager les joints et, possiblement, de causer des brûlures aux personnes qui manipuleront la pompe. Remplir d'eau la pompe avant de la démarrer.

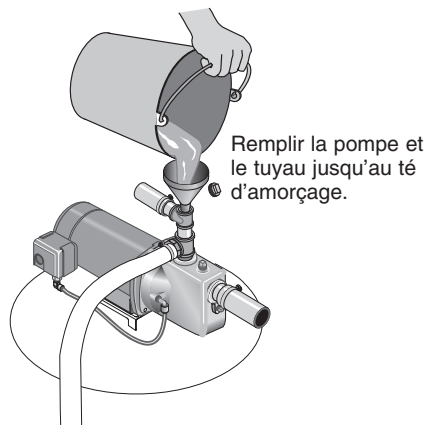


Figure 9: Amorçage de la pompe

**ATTENTION** Ne jamais faire fonctionner la pompe contre un refoulement fermé, sinon l'eau risque de bouillir à l'intérieur de la pompe, une accumulation dangereuse de pression risque de se produire, un danger d'explosion risque de s'ensuivre et les personnes qui manipuleront la pompe pourront peut-être être ébouillantées.

1. Déposer le bouchon d'amorçage du té d'amorçage et remplir la pompe. Remplir toute la tuyauterie entre la pompe et le puits et s'assurer que tout le tuyau à l'intérieur du puits est bien rempli. Si un té d'amorçage a également été installé sur le tuyau d'aspiration, déposer le bouchon du té et remplir le tuyau d'aspiration. Voir Figure 9.
2. Reposer tous les bouchons de remplissage.
3. **Brancher le courant!** Faire démarrer la pompe. Si l'eau ne coule pas après une ou deux minutes, arrêter la pompe et déposer les bouchons de remplissage. Remplir la pompe et amorcer. Il faudra peut-être répéter cette opération plusieurs fois afin de purger tout l'air emprisonné dans le tuyau. Cela peut prendre 15 minutes pour amorcer une pompe qui relève l'eau de 7,60 mètres (25 pieds).
4. Après que la pompe a accumulé la pression dans le système et s'est arrêtée, vérifier le fonctionnement du pressostat en ouvrant un robinet ou deux et en faisant couler suffisamment d'eau pour purger la pression jusqu'à ce que la pompe démarre. La pompe doit démarrer lorsque la pression chute à 30 lb/po<sup>2</sup> et s'arrêter lorsque la pression atteint 50 lb/po<sup>2</sup>. Faire tourner la pompe pendant un ou deux cycles complets pour vérifier le bon fonctionnement de l'ensemble. Ceci permet aussi de débarrasser le système de la saleté et du tartre qui se sont détachés lors de l'installation.

### Félicitations! L'installation est réussie.

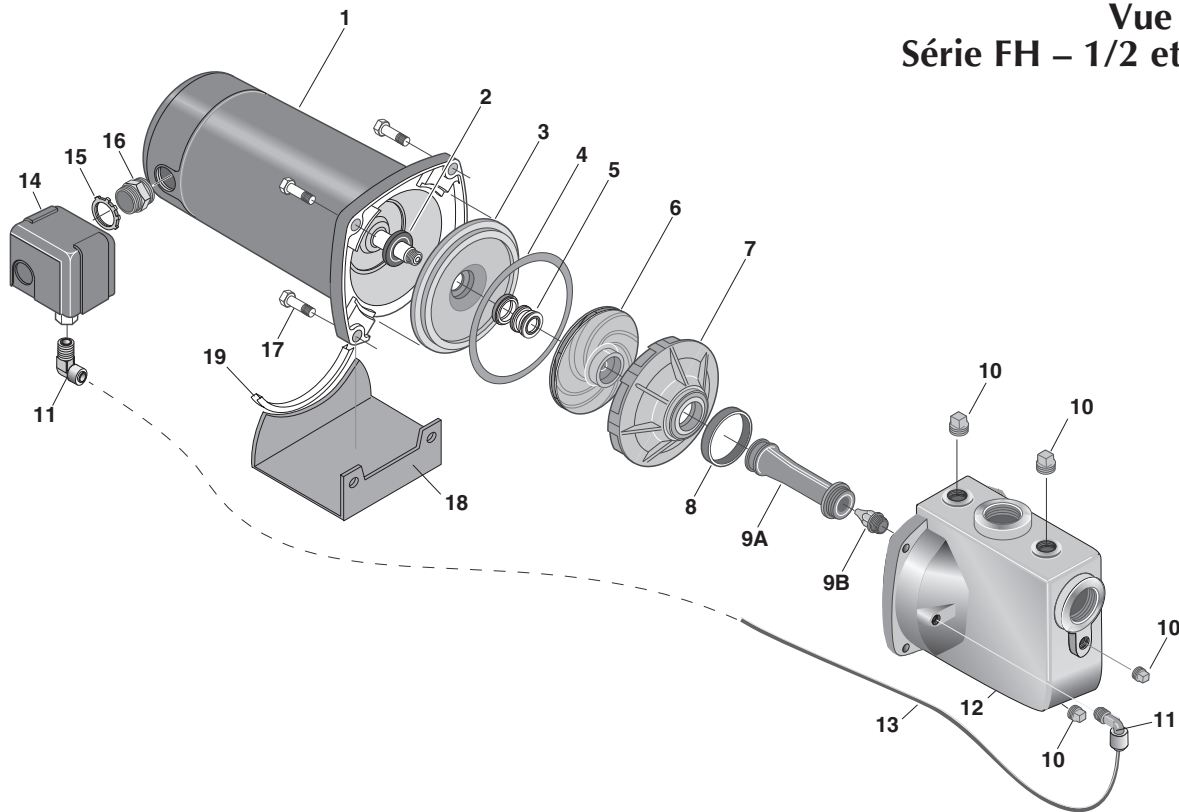
Si l'installation n'est pas réussie, se reporter à la section de Recherche des pannes (page 20).

## Tableau de câblage – Calibres (diamètres) de fils et des fusibles recommandés

Série	Puissance du motor en ch	Tension	Charge max. en ampères	Intensité en ampères du fusible du circuit de dérivation	DISTANCE EN MÈTRES (PIEDS) ENTRE LE MOTEUR ET L'ALIMENTATION EN COURANT				
					De 0 à 100 (De 0 à 30)	De 101 à 200 (De 31 à 61)	De 201 à 300 (De 62 à 91)	De 301 à 400 (De 92 à 122)	401 à 500 (123 - 152)
					CALIBRE DES FILS (mm <sup>2</sup> )				
FH50	1/2	115/230	9.4/4.7	15/15	14/14(2/2)	10/14(5.5/2)	10/14(5.5/2)	6/14(14/2)	6/12(14/3)
BFH50	1/2	115/230	9.4/4.7	15/15	14/14(2/2)	10/14(5.5/2)	10/14(5.5/2)	6/14(14/2)	6/12(14/3)
FH50S*	1/2	115/230	9.4/4.7	15/15	14/14(2/2)	10/14(5.5/2)	10/14(5.5/2)	6/14(14/2)	6/12(14/3)
FHP50*	1/2	115/230	9.4/4.7	15/15	14/14(2/2)	10/14(5.5/2)	10/14(5.5/2)	6/14(14/2)	6/12(14/3)
FH75*	3/4	115/230	12.2/6.1	20/15	12/14(3/2)	10/14(5.5/2)	8/14(8.4/2)	6/12(14/3)	6/12(14/3)

\*Ces modèles ne sont plus offerts à la vente. À titre informatif uniquement.

## Vue éclatée Série FH – 1/2 et 3/4 ch



### Pièces de rechange : Série FH, 1/2 et 3/4 ch

N° de réf.	Désignation de la pièce	Qté	Modèle et puissance			
			BRH50, FH50 1/2 ch	FH50S* 1/2 ch	FHP50* 1/2 ch	FH75* 3/4 ch
1	Moteur – 115/230 volts	1	77012B	77013B	77013B	77014B
2	Bague d'étanchéité	1	17351-0009	17351-0009	17351-0009	17351-0009
3	Plaque d'étanchéité (comprend le n° 5)	1	056592	056592	056592	056592
4	Joint de plaque d'étanchéité	1	C20-77	C20-77	C20-77	C20-77
5	Joint d'arbre	1	U109-6A	U109-6A	U109-6A	U109-6A
6	Impulseur	1	A56712	A56712	A56712	A56712
7	Diffuseur	1	056796	056796	056796	056796
8	Bague de diffuseur	1	L21-1	L21-1	L21-1	L21-1
9A	Venturi	1	27396	34397	34398	27403
9B	Buse	1	27921	27925	27922	27926
10	Vis d'assemblage de 1/4 -18 à tête carrée	1	27061LT	27061LT	27061LT	27061LT
11	Connecteur de 1/4 de po NPT à 90°	2	U11-218P	U11-218P	U11-218P	U11-218P
12	Corps du réservoir	1	34712	34712	34712	34712
13	Tube du pressostat	1	U37-677P	U37-677P	U37-677P	U37-677P
14	Pressostat	1	74782	74782	74782	74782
15	Écrou de 1/2 po	1	U36-112ZP	U36-112ZP	U36-112ZP	U36-112ZP
16	Connecteur de 1/2 po	1	L43-5C	L43-5C	L43-5C	L43-5C
17	Vis de 3/8-T6	4	U30-75ZP	U30-75ZP	U30-75ZP	U30-75ZP
18	Socle, peint	1	J4-9	J4-9	J4-9	J4-9
19	Support de caoutchouc	1	32364	32364	32364	32364

\*Ces modèles ne sont plus offerts à la vente. À titre informatif uniquement.

SYMPTÔMES	CAUSES PROBABLES	REMÈDES
Le moteur ne tourne pas	<p>Le sectionneur est déclenché</p> <p>Le fusible est sauté ou le disjoncteur est déclenché</p> <p>L'interrupteur de démarrage est défectueux</p> <p>Les fils côté moteur sont desserrés, débranchés ou mal branchés</p> <p>Les contacts du pressostat sont sales</p>	<p>S'assurer que le sectionneur est enclenché.</p> <p>Remplacer le fusible ou réenclencher le disjoncteur.</p> <p>COUPER L'ARRIVÉE DE COURANT; remplacer l'interrupteur de démarrage.</p> <p>Se reporter aux instructions sur le câblage (page 17). COUPER L'ARRIVÉE DE COURANT; vérifier tout le câblage et le resserrer.</p> <p><b>⚠ AVERTISSEMENT</b> La tension du condensateur peut être dangereuse. Pour décharger le condensateur du moteur, tenir un tournevis à manche isolé PAR LE MANCHE et mettre en court-circuit les bornes du condensateur. Ne pas toucher la lame métallique du tournevis ni les bornes du condensateur. En cas de doute, consulter un électricien qualifié.</p> <p>COUPER L'ARRIVÉE DE COURANT, puis nettoyer les contacts avec un morceau de toile émeri ou une lame à ongles.</p>
Le moteur chauffe et le dispositif de protection contre les surcharges se déclenche	<p>Le moteur est mal câblé</p> <p>La tension est trop faible</p> <p>La pompe fonctionne trop fréquemment</p>	<p>Se reporter aux instructions concernant le câblage.</p> <p>S'adresser à la compagnie d'électricité. Poser des câbles plus gros si le diamètre des fils est trop petit (voir Électricité/Tableau de câblage).</p> <p>Se reporter ci-dessous si la pompe démarre trop fréquemment.</p>
Le moteur fonctionne mais la pompe ne débite pas d'eau *	<p>Dans une installation nouvelle, la pompe ne s'est pas amorcée à cause :</p> <ol style="list-style-type: none"> <li>1. D'un mauvais amorçage</li> <li>2. De prises d'air</li> <li>3. De fuites du clapet de non retour ou du clapet de pied</li> </ol> <p>La pompe s'est désamorcée :</p> <ol style="list-style-type: none"> <li>1. À cause de prises d'air</li> <li>2. Parce que le niveau d'eau est plus bas que la prise d'eau du tuyau d'aspiration</li> </ol> <p>Le clapet de pied ou la crépine sont bouchés</p> <p>L'éjecteur ou l'impulseur sont bouchés</p> <p>Le clapet de non retour ou le clapet de pied sont grippés en position fermée</p> <p>Les tuyauteries sont gelées</p> <p>Le clapet de pied et/ou la trémie sont enfouis dans le sable ou la boue</p> <p>Le niveau d'eau est trop bas pour que le réglage pour puits peu profond permette de pomper de l'eau</p>	<p>Dans le cas d'une installation neuve :</p> <ol style="list-style-type: none"> <li>1. Réamorcer la pompe conformément aux instructions.</li> <li>2. Vérifier tous les raccords de la conduite d'aspiration, du régulateur de volume d'air et de l'éjecteur, à l'aide d'eau savonneuse ou de crème à raser.</li> <li>3. Remplacer le clapet de pied ou le clapet de non retour.</li> </ol> <p>Dans le cas d'une installation déjà en utilisation :</p> <ol style="list-style-type: none"> <li>1. Vérifier tous les raccords de la conduite d'aspiration et le joint de l'arbre.</li> <li>2. Abaisser la conduite d'aspiration dans l'eau et réamorcer la pompe. Si, dans le puits, la surface libre jusqu'à l'eau dépasse 7,60 mètres (25 pieds), utiliser une pompe pour puits profond.</li> </ol> <p>Nettoyer le clapet de pied ou la crépine.</p> <p>Nettoyer l'éjecteur ou l'impulseur.</p> <p>Remplacer le clapet de non retour ou le clapet de pied.</p> <p>Dégeler les tuyauteries. Enterrer les tuyauteries sous le point de gélivation. Chauffer la fosse ou le bâtiment où se trouve la pompe.</p> <p>Relever le clapet de pied et/ou la crépine plus haut que le fond de la source d'eau. Nettoyer le clapet de pied et la crépine.</p> <p>Utiliser un éjecteur pour puits profonds si la surface libre jusqu'à l'eau dans ce puits est supérieure à 7,60 mètres (25 pieds).</p>
La pompe ne débite pas à pleine capacité	<p>Le niveau de l'eau du puits est plus bas que celui estimé</p> <p>La tuyauterie en acier (le cas échéant) est corrodée ou bouchée par la chaux, ce qui cause un frottement excessif</p> <p>Le diamètre des tuyaux est trop petit</p> <p>La pointe filtrante est colmatée</p>	<p>Un éjecteur pour puits profonds sera requis si la surface libre jusqu'à l'eau dans ce puits est supérieure à 7,60 mètres (25 pieds).</p> <p>Dans la mesure du possible, remplacer par des tuyaux en plastique, sinon poser des tuyaux en acier neufs.</p> <p>Utiliser des tuyaux de plus grand diamètre.</p> <p>Purger la pointe en sens inverse ou enfoncer une nouvelle pointe.</p>
La pompe débite mais ne s'arrête pas ou bien elle fonctionne trop fréquemment.	<p>Le pressostat est déréglé ou bien ses contacts sont soudés ensemble</p> <p>Les robinets du système sont restés ouverts</p> <p>Le venturi, la buse ou l'impulseur sont bouchés</p> <p>Le réservoir sous pression standard est saturé d'eau et n'a plus de coussin d'air</p> <p>Les tuyaux fuient</p> <p>Le clapet de pied fuit</p> <p>La charge d'air dans le réservoir préchargé est trop basse</p>	<p>COUPER L'ARRIVÉE DE COURANT; régler le pressostat ou le remplacer.</p> <p>Les fermer.</p> <p>Nettoyer le venturi, la buse ou l'impulseur.</p> <p>Vider le réservoir jusqu'à l'orifice du régulateur de volume d'air. Vérifier le régulateur de volume d'air à la recherche de défauts. S'assurer que les raccords n'aspirent pas d'air.</p> <p>Vérifier les raccords.</p> <p>Remplacer le clapet de pied.</p> <p>COUPER L'ARRIVÉE DE COURANT et ouvrir les robinets du système jusqu'à ce que toute la pression soit dissipée. À l'aide d'un manomètre pour pneus, vérifier la pression d'air dans le réservoir par la tige de la valve qui se trouve sur le réservoir. Si la pression est inférieure au réglage de fonctionnement du pressostat, entre 206 et 344,7 kPa (30 et 50 lb/po<sup>2</sup>), pomper de l'air dans le réservoir à partir d'une source extérieure jusqu'à ce que la pression d'air soit de 2 lb/po<sup>2</sup> inférieure au réglage de déclenchement du pressostat. S'assurer que la valve ne fuit pas (l'enduire d'une solution savonneuse); remplacer l'obus de la valve au besoin.</p>
L'air jaillit des robinets du système	<p>La pompe s'amorce</p> <p>Prise d'air côté aspiration de la pompe</p> <p>Le puits est gazeux</p> <p>Surpompage intermittent du puits. (L'eau est pompée plus bas que le clapet de pied.)</p>	<p>Lorsque la pompe sera amorcée, tout l'air sera chassé.</p> <p>Le tuyau d'aspiration aspire de l'air. Vérifier les joints à la recherche de fuites, à l'aide d'eau savonneuse.</p> <p>S'adresser à l'usine pour la possibilité d'installer un manchon dans le puits.</p> <p>Dans la mesure du possible, abaisser le clapet de pied. Sinon, limiter le refoulement de la pompe.</p>

**MANUAL DE INSTALACIÓN Y DE OPERACIÓN**  
**Bombas de la Serie FH**  
**Gama de potencia: 1/2 y 3/4 HP**  
**60 ciclos**  
**Instalaciones monofásicas**  
**Archivo del Propietario**

Modelo de la bomba: \_\_\_\_\_

No. de serie de la bomba: \_\_\_\_\_

Clave de fecha de la bomba: \_\_\_\_\_

H.P. del motor \_\_\_\_\_ Tensión \_\_\_\_\_ Fase \_\_\_\_\_

Fecha de instalación: \_\_\_\_\_

Propietario: \_\_\_\_\_

Instalador: \_\_\_\_\_

Número de teléfono del instalador: \_\_\_\_\_

## LEA Y SIGA LAS INSTRUCCIONES DE SEGURIDAD!

**!** Este es el símbolo de alerta de seguridad. Cuando vea este símbolo en su bomba o en este manual, busque alguna de las siguientes palabras de advertencia y esté alerta a la posibilidad de lesiones personales:

**! PELIGRO** advierte acerca de los peligros que ocasionarán lesiones personales graves, muerte o daños materiales considerables si se ignoran.

**! ADVERTENCIA** advierte acerca de los peligros que pueden causar lesiones personales graves, muerte o daños materiales considerables si se ignoran.

**! PRECAUCIÓN** advierte acerca de los peligros que ocasionarán o podrán causar lesiones personales o daños materiales menores si se ignoran.

La etiqueta **AVISO** indica instrucciones especiales que son importantes pero que no están relacionadas con los peligros.

**Lea y siga cuidadosamente todas las instrucciones de seguridad en este manual y en la bomba.**

Mantenga las etiquetas de seguridad en buen estado.

Reemplace las etiquetas de seguridad faltantes o dañadas.

### Advertencia de la Proposición 65 de California

**! ADVERTENCIA** Este producto y accesorios relacionados contienen sustancias químicas reconocidas en el Estado de California como causantes de cáncer, malformaciones congénitas y otros daños al sistema reproductivo.

## SEGURIDAD ELECTRICA

**! ADVERTENCIA** La tensión del capacitor puede ser peligrosa. Para descargar el capacitor del motor, tome un destornillador con mango aislado **POR EL MANGO** y ponga los bornes del capacitor en corto circuito. No toque la hoja de metal del destornillador ni los bornes del capacitor. Si tiene alguna duda, consulte con un electricista competente.

## SEGURIDAD GENERAL

**! PRECAUCIÓN** No toque un motor en operación. Los motores modernos están diseñados para operar a temperaturas altas. Para evitar quemaduras durante los trabajos de mantenimiento y servicio de la bomba, deje que se enfríe por 20 minutos después de apagarla.

No permita que la bomba o cualquier componente del sistema se congelen ya que ello invalidará la garantía.

Utilice esta bomba sólo para bombear agua.

Inspeccione la bomba y los componentes del sistema periódicamente.


Use gafas de seguridad siempre que trabaje con la bomba.

Mantenga el área de trabajo limpia, ordenada y con iluminación adecuada; guarde las herramientas y el equipo que no utilice en el lugar adecuado.

Mantenga a los visitantes a una distancia segura de las áreas de trabajo.

**! ADVERTENCIA** La unidad de la bomba puede explotar si se utiliza como una bomba de refuerzo a menos que se instale una válvula de desahogo que sea capaz de pasar todo el flujo de la bomba a 75 libras por pulgada cuadrada (psi).


**! ADVERTENCIA**



**Tensión peligrosa. Puede causar choque, quemaduras o muerte.**  
Conecte la bomba a tierra antes de conectar el suministro de corriente eléctrica. Desconecte la corriente eléctrica antes de trabajar con la bomba, con el motor o con el tanque.

- ! Conecte el motor para la tensión correcta.** Consulte la sección de "Electricidad" de este manual y la ficha de fábrica del motor.
- ! Conecte el motor a tierra antes de conectar el suministro de corriente eléctrica.**
- ! El cableado debe cumplir con las normas del National Electrical Code, Canadian Electrical Code y los códigos locales.**
- ! Siga las instrucciones de cableado en este manual cuando conecte el motor a las líneas de corriente eléctrica.**

**! ADVERTENCIA**



**¡Presión peligrosa!**  
Instale una válvula de desahogo de presión en la tubería de descarga.  
Libere toda la presión en el sistema antes de trabajar con alguno de los componentes.

	Página
Información general sobre la seguridad .....	22
Garantía.....	23
Instalación (Bombas para pozos) .....	24,25
Conexión de la tubería de descarga.....	26
Información eléctrica.....	27,28
Preparación para encender la bomba .....	28
Refacciones .....	29
Localización de fallas .....	30

### Garantía limitada

PENTAIR le garantiza al comprador/consumidor original (“Comprador” o “Usted”) de los productos enumerados abajo, que estos estarán libres de defectos en material y mano de obra durante el Período de Garantía indicado a continuación.

Producto	Período de garantía
Productos de sistemas de agua — bombas de chorro, pequeñas bombas centrífugas, bombas sumergibles y accesorios asociados	<i>lo que ocurra primero:</i> 12 meses desde la fecha de la instalación inicial, o 18 meses desde la fecha de fabricación
PENTEK INTELLIDRIVE™	12 meses desde la fecha de la instalación inicial, o 18 meses desde la fecha de fabricación
Tanques de compuesto Pro-Source™	5 años desde la fecha de la instalación inicial
Tanques a presión de acero Pro-Source™	5 años desde la fecha de la instalación inicial
Tanques con revestimiento epoxídico Pro-Source™	3 años desde la fecha de la instalación inicial
Productos para sumideros/aguas residuales/efluente	12 meses desde la fecha de la instalación inicial, o 18 meses desde la fecha de fabricación

Nuestra garantía no se aplicará a ningún producto que, a nuestro sólo juicio, haya sido sometido a negligencia, mal uso, instalación inadecuada o mal mantenimiento. Sin perjuicio a lo que antecede, la garantía quedará anulada en el caso en que un motor trifásico se haya usado con una fuente de alimentación monofásica, a través de un convertidor de fase. Es importante indicar que los motores trifásicos deben estar protegidos por relés de sobrecarga de disparo extra-rápido, con compensación ambiental de tres etapas, del tamaño recomendado, de lo contrario, la garantía quedará anulada.

Su único recurso, y la única obligación de PENTAIR es que PENTAIR repare o reemplace los productos defectuosos (a juicio de PENTAIR). Usted deberá pagar todos los cargos de mano de obra y de envío asociados con esta garantía y deberá solicitar el servicio bajo garantía a través del concesionario instalador tan pronto como se descubra un problema. No se aceptará ninguna solicitud de servicio bajo garantía que se reciba después del vencimiento del Período de Garantía. Esta garantía no se puede transferir.

PENTAIR NO SE HARÁ RESPONSABLE DE NINGÚN DAÑO CONSECUENTE, INCIDENTAL O CONTINGENTE.

LAS GARANTÍAS LIMITADAS QUE ANTECEDEN SON EXCLUSIVAS Y EN LUGAR DE TODA OTRA GARANTÍA EXPLÍCITA E IMPLÍCITA, INCLUYENDO, PERO SIN LIMITARSE A LAS GARANTÍAS IMPLÍCITAS DE COMERCIALIZACIÓN E IDONEIDAD PARA UN FIN ESPECÍFICO. LAS GARANTÍAS LIMITADAS QUE ANTECEDEN NO SE EXTENDERÁN MÁS ALLÁ DEL PERÍODO DE DURACIÓN INDICADO EN LA PRESENTE.

Algunos estados no permiten la exclusión o limitación de daños incidentales o consecuentes o de limitaciones de tiempo sobre garantías implícitas, de modo que es posible que las limitaciones o exclusiones que preceden no correspondan en su caso. Esta garantía le otorga derechos legales específicos y es posible que usted también tenga otros derechos que pueden variar de un estado al otro.

Esta Garantía Limitada entra en vigor el 1 de junio de 2011 y sustituye toda garantía sin fecha o garantía con fecha anterior al 1 de junio de 2011.

**PENTAIR**  
**293 Wright St., Delavan, WI 53115**  
**Teléfono (262) 728-5551 • Fax (262) 728-7323**

## REEMPLAZO DE LA BOMBA ANTIGUA

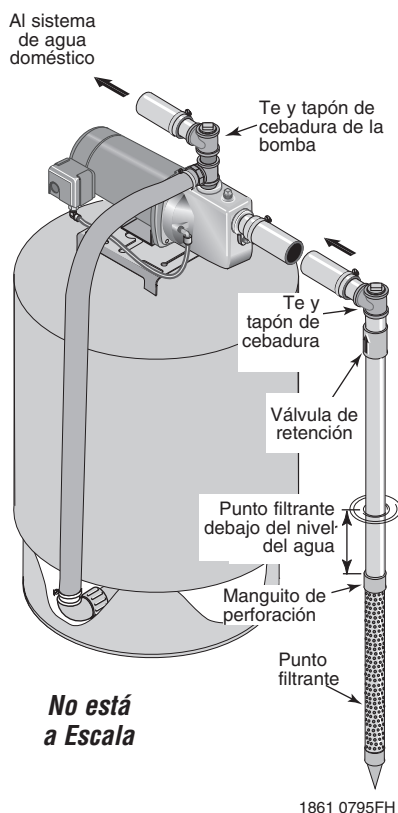
**⚠ ADVERTENCIA** Tensión peligrosa. Desconecte la corriente a la bomba antes de trabajar en la bomba o en el motor.

- Paso 1. Drene y saque la bomba usada. Verifique que las tuberías antiguas no tengan restos de oxidación, cal, herrumbre, etc. y cámbielas de ser necesario.
- Paso 2. Instale la bomba en el sistema. Verifique que todas las uniones de la tuberías en la tubería de aspiración estén herméticas y estancas. *Si la tubería de aspiración puede aspirar aire, la bomba no podrá extraer agua desde el pozo.*
- Paso 3. Ajuste la altura de montaje de la bomba para que las conexiones de plomería no ejerzan presión sobre el cuerpo de la bomba. Apoye las tuberías de manera que el cuerpo de la bomba no deba soportar el peso de las tuberías o de los accesorios.

**Usted acaba de terminar la instalación de la plomería del pozo para su nueva bomba de chorro para pozos poco profundos. Proceda con las instrucciones en la página 26 para las conexiones de la tubería de descarga y del tanque.**

## INSTALACION DEL PUNTO FILTRANTE (Figura 1)

- Paso 1. Hínque el pozo utilizando “manguitos de perforación” y un “casquete de perforación”. Las “conexiones de perforación” están roscadas a todo lo largo y permiten que los extremos de la tubería se empalmen para que la fuerza de perforación del mazo sea soportada por la tubería y no por el enroscado. Las conexiones comunes que se encuentran en las ferreterías no están roscadas a todo lo largo y se pueden aplastar con el impacto. Las “conexiones de perforación” también son más lisas que las conexiones de plomería comunes, lo que facilita la penetración en el suelo.
- Paso 2. Instale la bomba tan cerca del pozo como sea posible.



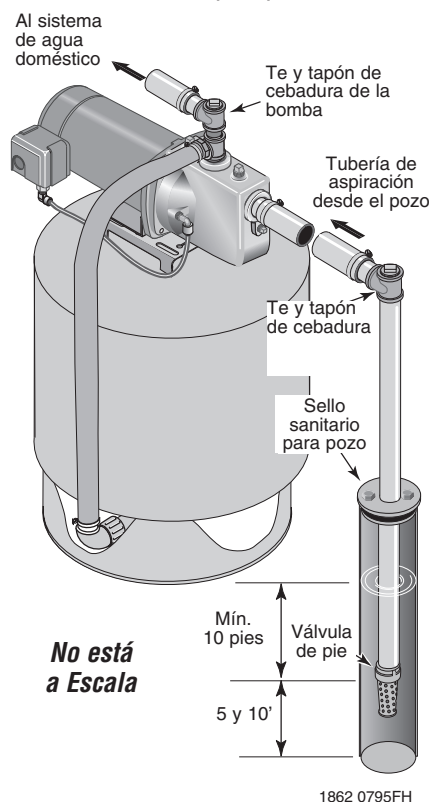
**Figura 1: Instalación del punto filtrante**

- Paso 3. Utilice la menor cantidad de conexiones posible (especialmente codos) al conectar la tubería desde el punto filtrante a la abertura de aspiración de la bomba. La tubería de aspiración debe ser por lo menos del mismo tamaño que la abertura de aspiración en la bomba (incluya una válvula de retención si su bomba no viene equipada con una - consulte la Figura 1). Apoye la tubería para que no haya inclinaciones verticales ni hundimientos en ella a fin de que no ejerza presión sobre el cuerpo de la bomba y que no se incline ligeramente hacia arriba desde el pozo hacia la bomba (los puntos altos pueden resultar en la formación de bolsas de aire que pueden bloquear la bomba). Sellar las juntas de la tubería de aspiración con cinta selladora de PTFE para roscas de tubería. Las juntas deben ser herméticas y estancas. *Si la tubería de aspiración puede aspirar aire, la bomba no podrá extraer agua del pozo.* Si un punto filtrante no proporciona suficiente agua, considere la posibilidad de conectar dos o tres puntos filtrantes a una tubería de aspiración.

**Usted acaba de terminar la instalación de la plomería del pozo para su nueva bomba de chorro para pozos poco profundos. Proceda con las instrucciones en la página 26 para las conexiones de la tubería de descarga y del tanque.**

## INSTALACION DE POZO ENTUBADO, CON UN REVISTIMIENTO DE 2 PULGADAS O MAYOR (Figura 2)

- Paso 1. Instale la bomba tan cerca del pozo como sea posible.
- Paso 2. Instale la válvula de pie, la cesta de aspiración y la tubería del pozo (consulte la Figura 2). Verifique que la válvula de pie funcione libremente.
- Paso 3. Baje la tubería hacia el pozo hasta que la cesta de aspiración se encuentre a cinco pies sobre el fondo del pozo. También debe estar a por lo menos 10 pies debajo del nivel de agua del pozo cuando la bomba esté funcionando a fin de evitar que la bomba aspire aire. Instale un sello sanitario para pozo.



**Figura 2: Instalación en pozo entubado**



Paso 4. Instale un tubo en "T" de cebar, un tapón de cebar y la tubería de aspiración a la bomba. Conecte la tubería del pozo a la abertura de aspiración de la bomba, utilizando la menor cantidad de conexiones posible - especialmente codos - ya que las conexiones aumentan la fricción en la tubería (sin embargo, incluya una válvula de pie - consulte la Figura 2). La tubería de aspiración debe ser por lo menos del mismo tamaño que la abertura de aspiración en la bomba. Utilizar cinta selladora de PTFE para roscas de tubería sobre las juntas roscadas de la tubería. Apoye la tubería para que no haya inclinaciones verticales o hundimientos en ella a fin de que no ejerza presión sobre el cuerpo de la bomba y no se incline ligeramente hacia arriba desde el pozo hacia la bomba (los puntos altos pueden ocasionar que se formen bolsas de aire que pueden bloquear la bomba). Sellar las juntas de la tubería de aspiración con cinta selladora de PTFE para roscas de tubería. Las juntas deben ser herméticas y estancas. *Si la tubería de aspiración aspira aire, la bomba no podrá sacar agua del pozo.*

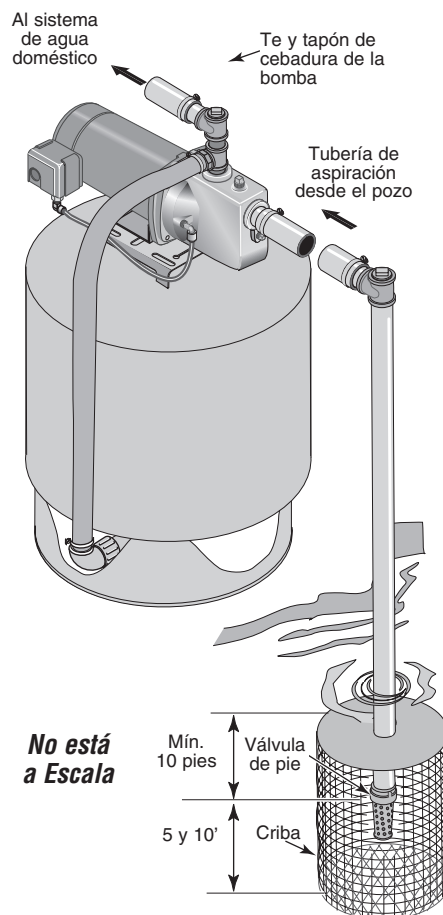
**Usted acaba de terminar de instalar la tubería de aspiración para su nueva bomba de chorro para pozos poco profundos. Proceda con las instrucciones en la página 26 para las conexiones de la tubería de descarga y del tanque.**

verticales o hundimientos en ella a fin de que no ejerza presión sobre el cuerpo de la bomba y no se incline ligeramente hacia arriba desde el pozo hacia la bomba (los puntos altos pueden ocasionar que se formen bolsas de aire que pueden bloquear la bomba). Sellar las juntas de la tubería de aspiración con cinta selladora de PTFE para roscas de tubería. Las juntas deben ser herméticas y estancas. *Si la tubería de aspiración aspira aire, la bomba no podrá sacar agua del pozo.*

**Usted acaba de terminar la instalación de la plomería para su nueva bomba de chorro para pozos poco profundos. Proceda con las instrucciones en la página 26 para las conexiones de la tubería de descarga y del tanque.**

## INSTALACION PARA AGUA SUPERFICIAL (Figura 3)

- Paso 1. La bomba se debe instalar tan cerca del agua como sea posible, con la menor cantidad posible de conexiones (especialmente codos) en la tubería de aspiración. La tubería de aspiración debe ser por lo menos del mismo tamaño que la abertura de aspiración en la bomba.
- Paso 2. Ensamble una válvula de pie y la tubería de aspiración (consulte la Figura 3). Asegúrese de que la válvula de pie funcione libremente. Utilizar cinta selladora de PTFE para roscas de tubería sobre las juntas roscadas de la tubería. Proteja la conexión de la válvula de pie contra peces, basura, etc. con la instalación de una criba a su alrededor (consulte la Figura 3).
- Paso 3. Baje la tubería hacia el agua hasta que la cesta de aspiración se encuentre a cinco pies sobre el fondo. También debe estar a por lo menos 10 pies por debajo del nivel de agua a fin de impedir que la bomba aspire aire.
- Paso 4. Instale un tubo en "T" para cebar, tapón para cebar y la tubería de aspiración a la bomba (consulte la Figura 3). Apoye la tubería para que no haya inclinaciones

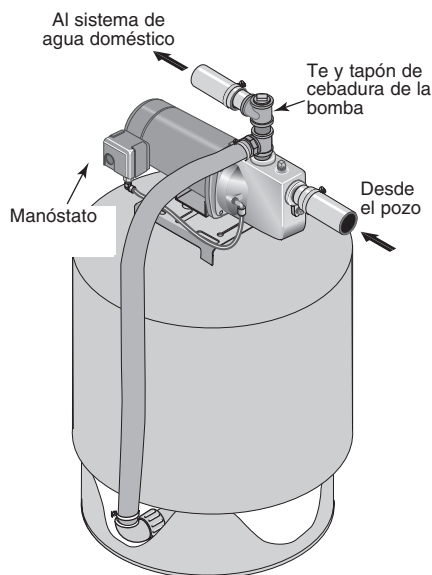


**Figura 3: Instalación para agua superficial**

## CONEXIÓN DEL TANQUE PRECARGADO (Figura 4)

- Paso 1. Instale dos tubos Te en el orificio de descarga de la bomba (consulte la Figura 4). El tamaño de la tubería debe ser por lo menos tan grande como el orificio de descarga.
- Paso 2. Haga correr un tubo o una manguera reforzada desde una sección del primer tubo Te al orificio en el tanque precargado.
- Paso 3. Conecte el otro extremo del Te de descarga a su sistema de plomería.
- Paso 4. Verifique la precarga de aire en el tanque con un manómetro común para neumáticos. La precarga debe ser por lo menos 2 psi (libras por pulgada cuadrada) menos que la graduación de disparo del manóstato de la bomba. La precarga se mide *cuando no hay presión del agua en el tanque*. Su nueva bomba tiene un manóstato configurado a 30/50 PSI, de manera que ajuste la presión de precarga del tanque a 28 PSI.

**¡Felicitaciones! Usted acaba de terminar la instalación de las conexiones del tanque para su bomba de chorro. Proceda con las instrucciones en la páginas 27 y 28 para la información sobre las conexiones eléctricas.**



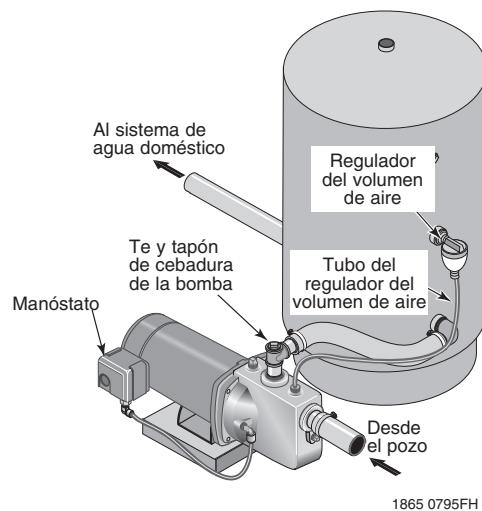
1864 0795 FH

**Figura 4: Conexiones del tanque precargado**

## CONEXIÓN DEL TANQUE ESTÁNDAR (Figura 5)

- Paso 1. Instale un tubo Te en el orificio de descarga de la bomba (consulte la Figura 5).
- Paso 2. Haga correr un tubo desde el orificio de descarga de la bomba al orificio de admisión del tanque. El tamaño de la tubería debe ser por lo menos tan grande como el orificio de descarga.
- Paso 3. Saque el tapón del tubo de 1/8" NPT del orificio del Regulador de Volumen de Aire (AVC según sus siglas en inglés) (consulte la Figura 5). Haga correr un tubo desde el orificio del AVC de la bomba (consulte la Figura 5) al orificio en el AVC instalado en el tanque. Consulte las instrucciones suministradas con el tanque y el AVC para obtener los detalles al respecto. El lugar del orificio AVC varía según el modelo de la bomba (consulte las imágenes despiezadas en la página 9).

**¡Felicitaciones! Usted acaba de terminar la instalación de las conexiones del tanque para su bomba de chorro. Proceda con las instrucciones en la páginas 27 y 28 para la información sobre las conexiones eléctricas.**



1865 0795FH

**Figura 5: Conexiones del tanque estándar**

### Cómo sellar las juntas de tuberías

Levar a cabo todas las conexiones roscadas a la bomba utilizando solamente cinta selladora de PTFE para roscas de tubería. **No use compuestos para juntas de tuberías en bombas de plástico;** éstos pueden reaccionar con el plástico en los componentes de la bomba. Verifique que todas las juntas de tubería en la tubería de aspiración sean herméticas y estancas. *Si la tubería de aspiración puede aspirar aire, la bomba no podrá extraer agua del pozo.*

**⚠** Desconecte la corriente eléctrica antes de trabajar con la bomba, el motor, el manóstató o los cables.

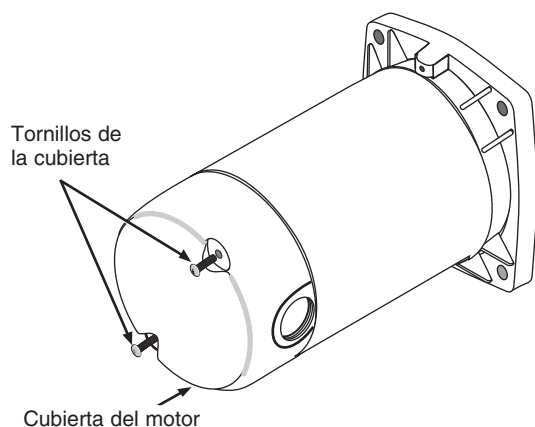
## CONFIGURACIONES DEL INTERRUPTOR DEL MOTOR

Los motores de dos tensiones (motores que pueden operar tanto a 115 como a 230 voltios) vienen configurados de fábrica para 230 voltios. No cambie la configuración de tensión del motor si la tensión de línea es de 230 voltios o si usted tiene un motor de una sola tensión

**NOTA:** Nunca conecte un motor de 115 voltios a una línea de 230 voltios.

### Saque la tapa del motor

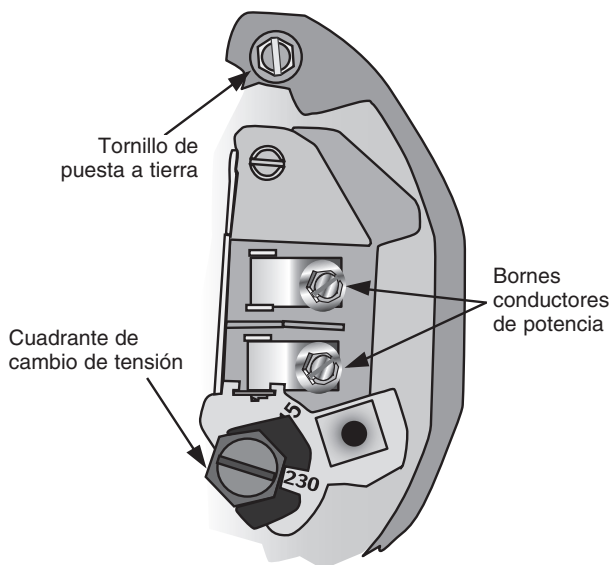
Si usted tiene un motor de dos tensiones y lo conectará a una línea de 115 voltios, siga el procedimiento indicado a continuación.



**Figura 6: Remoción de la cubierta del motor**

Deberá sacar la cubierta del motor para cambiar la configuración de tensión.

El tablero de bornes de su motor (ubicado debajo de la cubierta del motor) deberá ser similar al indicado a continuación.



**Figura 7: Configuración de tensión a 230 voltios, tipo cuadrante.**

Para cambiar a 115 Voltios:

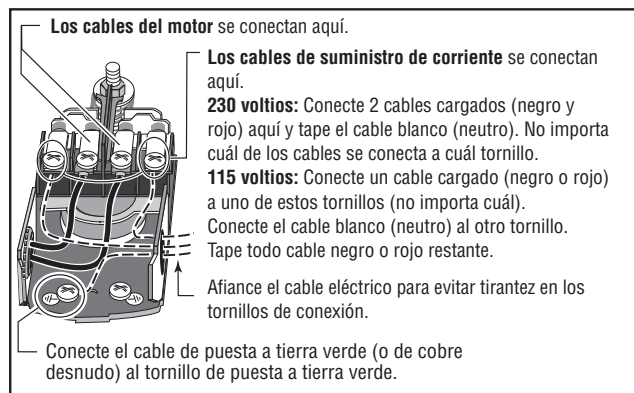
Paso 1. Verifique que la corriente eléctrica esté desconectada.

Paso 2. Gire el cuadrante hacia la izquierda (en dirección contraria a las agujas del reloj) hasta que la ventana del cuadrante indique 115.

Paso 3. Los cables desde el manóstató ya deberían estar conectados a los bornes de los conductores de corriente.

Paso 4. Vuelva a colocar la cubierta del motor.

### Cableado del manóstató



**Figura 8: Cableado del manóstató**

Paso 5. Pase a la sección de Conexiones de Cableado a continuación.

**⚠ ADVERTENCIA** Tensión peligrosa. Puede causar choque, quemaduras o muerte. Conecte el hilo a tierra antes de conectar los cables de suministro de corriente eléctrica. Use el tamaño de cable (incluyendo el hilo de puesta a tierra) especificado en el gráfico de cableado. De ser posible, conecte la bomba a su propio circuito dedicado sin ningún otro aparato conectado al mismo.

**⚠ ADVERTENCIA** Riesgo de explosión. No lo conecte a una línea de suministro de gas.

## CONEXIONES DE CABLEADO

**⚠ ADVERTENCIA** Peligro de incendio. Una tensión incorrecta puede causar un incendio o dañar el motor considerablemente y anulará la garantía. La tensión de suministro debe estar dentro de un rango de +/- 10% de la tensión en la placa de fábrica del motor.

**AVISO:** Los motores de doble tensión vienen cableados de fábrica para 230 voltios. Si fuese necesario, vuelva a conectar el motor para 115 voltios, según se ilustra. No altere el cableado en los motores de una sola tensión.

Instale, conecte a tierra, conecte los cables y mantenga su bomba según las normas del National Electrical Code (NEC) o del Canadian Electrical Code (CEC), según corresponda y conforme con todos los códigos y reglamentos locales que correspondan. Consulte con un inspector de construcción local para obtener la información sobre los códigos.

**Procedimiento de conexiones:**

1. Conecte el hilo de puesta a tierra primero según se ilustra en la Figura 8. El hilo de puesta a tierra debe ser un hilo de cobre macizo por lo menos del mismo tamaño que los hilos de suministro de corriente eléctrica.
2. Debe haber una conexión metálica sólida entre el manóstató y el motor para la protección a tierra del motor. Si el manóstató no está conectado al motor, conecte el tornillo verde de puesta a tierra en el interruptor al tornillo verde de puesta a tierra debajo de la tapa extrema del motor. Use un hilo de cobre macizo por lo menos del mismo tamaño de los hilos de suministro de corriente.
3. Conecte el hilo de puesta a tierra a un conductor conectado a tierra en un tablero de servicio, a una tubería de agua subterránea metálica, a un revestimiento de pozos metálico de por lo menos diez pies (3 m) de largo, ó a un electrodo de conexión a tierra suministrado por la empresa de energía eléctrica o por las autoridades de energía eléctrica.
4. Conecte los hilos de suministro de corriente al manóstató según se ilustra en la Figura 8, en la página 27.

**Preparación para encender la bomba**

**⚠ PRECAUCIÓN** Nunca ponga a funcionar la bomba en seco. Poner a funcionar la bomba sin agua puede ocasionar recalentamiento, puede dañar el sello y, posiblemente, provocará quemaduras a las personas que la estén manipulando. Llène la bomba con agua antes de activarla.



Llene la bomba y la tubería mediante el Te de cebadura.

Figura 9: Cebadura de la bomba

**⚠ ADVERTENCIA** Nunca ponga a funcionar una bomba hacia una descarga cerrada, ya que puede hacer que el agua en el interior de la bomba hierva, produciendo una presión peligrosa en la unidad, peligro de explosión y posibles quemaduras con el agua a las persona que estén manejando la bomba.

1. Saque el tapón de cebadura del Te de cebadura y llene la bomba. Llène toda la tubería entre la bomba y el pozo, verificando que toda la tubería en el pozo esté llena. Si también ha instalado un Te de cebadura en la tubería de aspiración, saque el tapón del Te y llene la tubería de aspiración. Consulte la Figura 9.
2. Vuelva a colocar todos los tapones de llenado.
3. **¡Enciéndala!** Active la bomba. Si no hay agua, después de 2 ó 3 minutos, detenga la bomba y saque los tapones de llenado. Vuelva a llenar la bomba y la tubería. Es posible que usted deba repetir esto dos o tres veces para eliminar todo el aire que haya quedado atrapado en la tubería. La cebadura de una bomba que necesite extraer agua a una altura de 25 pies, podrá llevar hasta 15 minutos.
4. Después de que la bomba haya producido presión en el sistema y se apague, verifique la operación del manóstató abriendo uno o dos grifos y dejando correr suficiente agua para descargar la presión hasta que la bomba se encienda. La bomba deberá encenderse cuando la presión caiga a 30 PSI y e deberá detener cuando la presión llegue a 50 PSI. Haga funcionar la bomba por uno o dos ciclos completos para verificar que esté funcionando correctamente. Esto también le ayudará a limpiar el sistema del polvo y la oxidación acumulados durante la instalación.

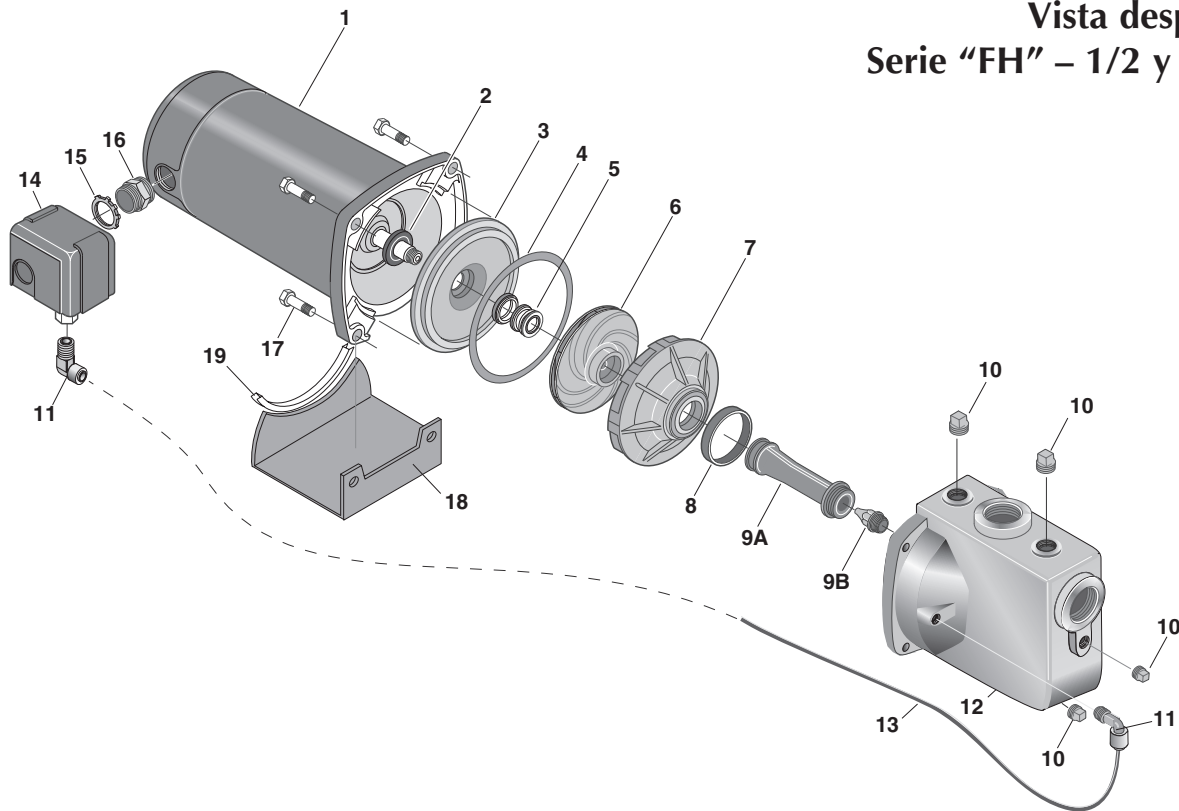
**Felicitaciones por una instalación exitosa.** Si no logró instalarla debidamente, consulte la sección de Localización de fallas (página 30).

**Gráfico de cabelado – Tamaños de hilos y fusibles recomendados**

Serie	HP del motor	Voltios	Máx. amp. de carga	Amperios nominales del fusible del ramal	DISTANCIA EN PIES (METROS) DESDE EL MOTOR AL SUMINISTRO				
					0 - 100 (0 - 30)	101 - 200 (31 - 61)	201 - 300 (62 - 91)	301 - 400 (92 - 122)	401 - 500 (123 - 152)
					TAMAÑO DEL HILO AWG (mm²)				
FH50	1/2	115/230	9.4/4.7	15/15	14/14(2/2)	10/14(5.5/2)	10/14(5.5/2)	6/14(14/2)	6/12(14/3)
BFH50	1/2	115/230	9.4/4.7	15/15	14/14(2/2)	10/14(5.5/2)	10/14(5.5/2)	6/14(14/2)	6/12(14/3)
FH50S*	1/2	115/230	9.4/4.7	15/15	14/14(2/2)	10/14(5.5/2)	10/14(5.5/2)	6/14(14/2)	6/12(14/3)
FHP50*	1/2	115/230	9.4/4.7	15/15	14/14(2/2)	10/14(5.5/2)	10/14(5.5/2)	6/14(14/2)	6/12(14/3)
FH75*	3/4	115/230	12.2/6.1	20/15	12/14(3/2)	10/14(5.5/2)	8/14(8.4/2)	6/12(14/3)	6/12(14/3)

\*Estos modelos ya no están disponibles para la venta. Sólo para información.

Vista despiezada  
Serie "FH" – 1/2 y 3/4 HP



LISTA DE REFACCIONES: Serie "FH", 1/2 y 3/4 HP

Clave No.	Descripción del a Pieza	Cant.	Modelo y potencia			
			BFH50, FH50 1/2 HP	FH50S* 1/2 HP	FHP50* 1/2 HP	FH75* 3/4 HP
1	Motor, 115/230V	1	77012B	77013B	77013B	77014B
2	Deflector de agua	1	17351-0009	17351-0009	17351-0009	17351-0009
3	Unidad de la placa de estancamiento (incl. en No. 5)	1	056592	056592	056592	056592
4	Junta de la placa de estancamiento	1	C20-77	C20-77	C20-77	C20-77
5	Sello del eje	1	U109-6A	U109-6A	U109-6A	U109-6A
6	Impulsor	1	A56712	A56712	A56712	A56712
7	Difusor	1	056796	056796	056796	056796
8	Aro del difusor	1	L21-1	L21-1	L21-1	L21-1
9A	Venturi	1	27396	34397	34398	27403
9B	Tobera	1	27921	27925	27922	27926
10	Tornillo prisionero de cabeza cuadrada de 1/4-18	1	27061LT	27061LT	27061LT	27061LT
11	Conector de 90 grados de 1/4" NPT	2	U11-218P	U11-218P	U11-218P	U11-218P
12	Unidad del tanque	1	34712	34712	34712	34712
13	Tubo del manóstato	1	U37-677P	U37-677P	U37-677P	U37-677P
14	Manóstato	1	74782	74782	74782	74782
15	Contratuercas de 1/2"	1	U36-112ZP	U36-112ZP	U36-112ZP	U36-112ZP
16	Conector de 1/2"	1	L43-5C	L43-5C	L43-5C	L43-5C
17	Tornillo prisionero - 3/8 - 16	4	U30-75ZP	U30-75ZP	U30-75ZP	U30-75ZP
18	Unidad de base pintada	1	J4-9	J4-9	J4-9	J4-9
19	Cojinete de caucho	1	32364	32364	32364	32364

\*Estos modelos ya no están disponibles para la venta. Sólo para información.

SÍNTOMA	CAUSA(S) POSIBLE(S)	ACCIÓN CORRECTIVA
El motor no funciona	El interruptor de desconexión está apagado El fusible está quemado o el disyuntor se abrió El interruptor de encendido está defectuoso Los cables en el motor están sueltos, desconectados o conectados incorrectamente  Los contactos del manóstato están sucios	Asegúrese de que el interruptor esté encendido. Reemplace el fusible o vuelva a cerrar el disyuntor. DESCONECTE LA CORRIENTE ELÉCTRICA; reemplace el interruptor de encendido. Consulte las instrucciones sobre el cableado (página 27); DESCONECTE LA CORRIENTE ELÉCTRICA; inspeccione y ajuste todo el cableado.  <b>⚠ ADVERTENCIA</b> La tensión del capacitor puede ser peligrosa. Para descargar el capacitor, tome un destornillador con mango aislado POR EL MANGO y haga un corto circuito con los bornes del capacitor. No toque la hoja metálica del destornillador ni los bornes del capacitor. Si tiene alguna duda, consulte con un electricista competente. DESCONECTE LA CORRIENTE ELÉCTRICA y lime los contactos con una lima de esmeril o una lima para uñas.
El motor se calienta y dispara la sobrecarga	El motor está cableado incorrectamente La tensión es muy baja  Los ciclos de la bomba son demasiado frecuentes	Consulte las instrucciones sobre el cableado. Verifique con la compañía de energía eléctrica. Instale un cableado de mayor calibre si éste es muy pequeño (consulte el Gráfico de Cableado/Electricidad). Consulte la sección a continuación sobre ciclos demasiado frecuentes.
El motor funciona pero no sale agua.*  * (Nota: Detenga la bomba: después verifique el cebado antes de buscar otras causas. Destornille el tapón de cebadura y observe si hay agua en el orificio de cebado.)	La bomba en una instalación nueva no recogió el cebado debido a: 1. Cebado inadecuado 2. Fugas de aire 3. Fugas en la válvula de pie o en la válvula de retención La bomba ha perdido cebado debido a: 1. Fugas de aire 2. Nivel de agua por debajo de la admisión de la tubería de aspiración  La válvula de pie o la cesta de aspiración están tapadas El eyector o el impulsor están tapados La válvula de retención o la válvula de pie están cerradas y atascadas Las tuberías están congeladas  La válvula de pie y/o la cesta de aspiración están enterradas en arena o en lodo El nivel de agua es demasiado bajo para que la instalación de pozo poco profundo entregue agua	En una instalación nueva:  1. Vuelva a cebarla según las instrucciones. 2. Revise todas las conexiones en la línea de aspiración, en el AVC y en el eyector con agua jabonosa o crema de afeitar. 3. Reemplace la válvula de pie o la válvula de retención.  En una instalación que ya esté en uso: 1. Inspeccione todas las conexiones en la línea de aspiración y en el sello del eje 2. Baje la línea de aspiración hacia el agua y vuelva a cebar. Si la disminución del nivel de agua en el pozo supera los 25 pies (7.6 m), será necesario instalar una bomba para pozos profundos.  Limpie la válvula de pie o la cesta de aspiración.  Limpie el eyector o el impulsor. Reemplace la válvula de retención o la válvula de pie.  Descongele las tuberías. Entierre las tuberías debajo de la línea de congelación. Caliente el foso o el recinto de la bomba. Eleve la válvula de pie y/o la cesta de aspiración por encima del fondo de la fuente de agua. Limpie la válvula de pie y la cesta de aspiración. Es posible que necesite un paquete de chorro para pozos profundos (más de 25 pies al agua) para entregar agua.
La bomba no produce agua a toda su capacidad	El nivel del agua en el pozo profundo es más bajo del que se calculó La tubería de acero (si se utilizó) está corroída u oxidada, ocasionando una fricción excesiva El tamaño de la tubería es muy pequeño El punto de filtración está obturado	Es posible que necesite un paquete de chorro para pozos profundos si su pozo está a más de 25 pies (7.6 m) de profundidad al agua. Reemplace con tubería de plástico donde sea posible, o de lo contrario con una nueva tubería de acero.  Utilice una tubería más grande. Enjuague el punto filtrante a reflujo o hinque un nuevo punto filtrante.
La bomba entrega agua pero no se apaga o los ciclos de bombeo son demasiado frecuentes	El manóstato está desajustado o los contactos están soldados juntos Se dejaron los grifos abiertos El venturi, la tobera o el impulsor están tapados El tanque de presión estándar está inundado y no tiene amortiguador de aire Hay fugas en las tuberías Hay fugas en las válvulas de pie La carga de aire es demasiado baja en el tanque precargado	DESCONECTE LA CORRIENTE ELÉCTRICA; ajuste o reemplace el manóstato.  Cierre los grifos. Limpie el venturi, la tobera o el impulsor.  Drene el tanque al orificio del regulador del volumen de aire. Verifique que el AVC no presente defectos. Verifique que no haya fugas de aire en ninguna conexión. Inspeccione las conexiones. Reemplace la válvula de pie. DESCONECTE LA CORRIENTE ELÉCTRICA y abra los grifos hasta que se haya dejado salir toda la presión. Mida la presión del aire en el tanque con un manómetro para neumáticos en el vástago de la válvula que se encuentra en el tanque. Si la presión es menor que la del disparo del manóstato (30 -50 PSI), bombee aire hacia el tanque desde una fuente externa hasta que la presión del aire sea 2 PSI menos que la presión de disparo del interruptor. Verifique que no haya fugas en la válvula de aire (utilice una solución jabonosa) y, de ser necesario, reemplace el núcleo.
Sale aire de los grifos	La bomba está cebando Fuga del lado de la aspiración de la bomba  El pozo es gaseoso Sobre-bombeo intermitente del pozo, (agua extraída por debajo de la válvula de pie)	Cuando la válvula se haya cebado, deberá bombear agua sin aire. La tubería de aspiración está aspirando aire. Verifique que no haya fugas en las juntas con agua jabonosa. Consulte con la fábrica sobre la posibilidad de instalar una camisa en el pozo. Baje la válvula de pie si es posible, de lo contrario, restrinja la descarga de la bomba.



