

# ABOVEGROUND SYSTEMS PARTS

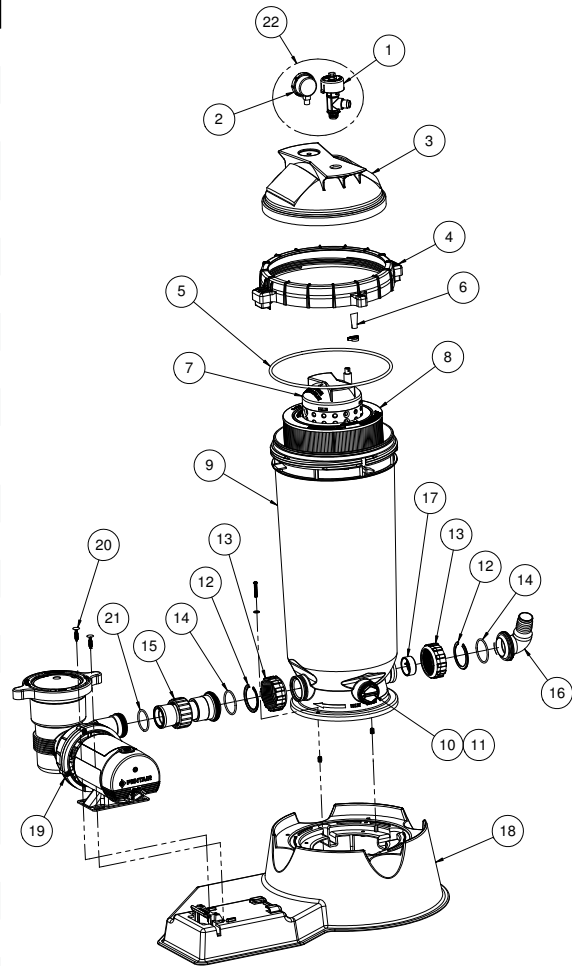
Product Catalog 2023



# CLEAN & CLEAR® FILTER SYSTEMS

## REPLACEMENT PARTS FOR SYSTEMS MANUFACTURED 2009 AND BEYOND

Item	Part No.	Description	US List	Can. List
<b>CLEAN &amp; CLEAR FILTER SYSTEMS 2009 AND BEYOND</b>				
1	98209800	High Flow Manual Relief Valve	51.45	61.82
2	190058Z	Pressure Gauge	CALL	CALL
3	178553	Lid, 50/100/125 sq. ft., Almond	240.09	288.49
3	178561	Lid, 75/150/175/200 sq. ft., Almond	223.85	268.98
4	59052900	Locking Ring Assy	147.32	177.02
5	87300400Z	Body O-Ring	CALL	CALL
6	59016200	Air Bleed Sock Kit	19.72	23.70
7	59053500	Center Core, 50 sq. ft.	174.63	209.84
7	59053600	Center Core, 75 sq. ft.	176.03	211.52
7	59053700	Center Core, 100/125 sq. ft.	205.21	246.58
7	59053800	Center Core, 150/175/200 sq. ft.	314.49	377.89
8	R173213	Cartridge Element, 50 sq. ft.	136.61	164.15
8	R173214	Cartridge Element, 75 sq. ft.	177.01	212.70
8	R173215	Cartridge Element, 100 sq. ft.	217.12	260.89
8	R178671	Cartridge Element, 125 sq. ft.	261.54	314.27
8	R173216	Cartridge Element, 150 sq. ft.	286.06	343.73
8	R178672	Cartridge Element, 175 sq. ft.	334.26	401.65
8	R173217	Cartridge Element, 200 sq. ft.	357.03	429.01
9	178562	Tank Bottom, 50/75, Almond	423.80	509.24
9	178563	Tank Bottom, 100/125/150/175/200, Almd	540.09	648.97
10	86202000	Drain Cap with O-Ring	28.58	34.34
11	51005000	O-Ring (Drain Cap)	10.39	12.48
12	39104500	C-Clip (Union Nut)	2.83	3.40
13	98212200	Union Nut	16.28	19.56
14	071426	O-Ring (Union)	2.40	2.88
15	155372	Pump to Filter Assembly (OptiFlo)	83.33	100.13
16	79304700	Body swivel 1.5 NPT	30.93	37.17
16	711006	Outlet Connector	10.00	12.02
17	51516100	Check Valve Kit	59.74	71.78
18	155333P	Systems Base	CALL	CALL
18	155333CP	Systems Base, CSA Pump	139.79	167.97
19		OptiFlo Pump		
20	710009	Base Hardware Kit	24.42	29.34
21	354571	O-Ring (Union)	5.23	6.28
22	170095	Air Relief Parts Kit	91.03	109.38
<b>ACCESSORIES</b>				
	155151	Replacement Hose Kit, Flex Hose, 6 ft. <sup>1</sup>	146.69	176.26
	155005	Replacement Hose Kit, Flex Hose, 12ft <sup>1</sup>	193.59	232.62



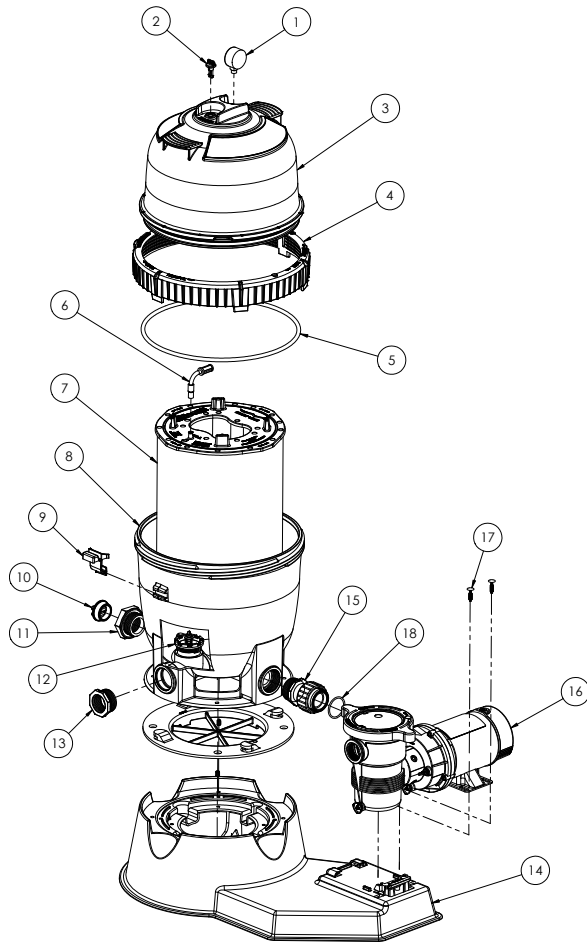
CALIFORNIA PROPOSITION 65 WARNING

⚠️ **WARNING:** Cancer and Reproductive Harm.  
 ⚠️ **AVERTISSEMENT:** Peut Causer le Cancer et des Dommages au Système Reproducteur.  
 ⚠️ **ADVERTENCIA:** Cáncer y Daño Reproductivo.  
[www.p65warnings.ca.gov](http://www.p65warnings.ca.gov) PN120214

<sup>1</sup> Replacement Hose Kits include two (2) hoses, four (4) hose adaptors and four (4) hose clamps.

# PLM FILTER SYSTEMS

## REPLACEMENT PARTS FOR SYSTEMS MANUFACTURED 2009 AND BEYOND



Note: System shown with 155333P Base and OptiFlo® Pump

**CALIFORNIA PROPOSITION 65 WARNING**  
 ⚠️ **WARNING:** Cancer and Reproductive Harm.  
 ⚠️ **AVERTISSEMENT:** Peut Causer le Cancer et des Dommages au Système Reproducteur.  
 ⚠️ **ADVERTENCIA:** Cáncer y Daño Reproductivo.  
[www.p65warnings.ca.gov](http://www.p65warnings.ca.gov) PK20073A

Item	Part No.	Description	US List	Can. List
<b>PLM FILTER SYSTEMS 2009 AND BEYOND</b>				
1	15060-0000T	Pressure Gauge	64.53	77.54
2	25010-0200	Air Relief Valve Assembly	26.76	32.15
3	27001-0020S	Tank Shell Upper Half	446.09	536.02
4	27001-0054S	Posi-Lok Ring	297.86	357.91
5	27001-0061S	Body O-Ring	77.72	93.39
6	24800-0121	Air Bleed Assembly	25.86	31.07
7	27002-0100S	Filter Module - PLM100	395.99	475.82
7	27002-0150S	Filter Module - PLM150	587.82	706.32
8	27001-0009S	Tank Shell Lower Half	757.79	910.56
9	27001-0051	Safety Latch	20.96	25.19
10	27001-0022	1-1/2 in. NPT Plug	4.16	5.00
11	24900-0510	Adapter Fitting	40.47	48.63
12	27001-0130S	Spring Check Valve	32.32	38.84
13	U78-820P3	2 in. to 1-1/2 in. Pipe Reducer	19.17	23.03
14	155331P	Systems Base (ABG/JWP)	289.01	347.27
14	155331CP	Systems Base, CSA (ABG/JWP)	297.70	357.72
14	155333P	Systems Base (OptiFlo)	139.80	167.98
14	155333CP	Systems Base, CSA (OptiFlo)	139.79	167.97
15	155403	Pump to Filter Hose Assembly (JWP)	72.07	86.60
15	155374	Pump to Filter Assembly (OptiFlo) <sup>2</sup>	72.07	86.60
15	155765	Pump to Filter Assembly (OptiFlo) <sup>3</sup>	60.19	72.32
16		OptiFlo Pump		
17	710009	Base Hardware Kit	24.42	29.34
18	354571	O-Ring, Union (Opti-Flo)	5.23	6.28
18	U9-226Z	O-Ring, Union (JWP)	4.77	5.73
<b>NOT SHOWN</b>				
	155151	Kit, Flex Hose, 6 ft. <sup>1</sup>	146.69	176.26
	155005	Kit, Flex Hose, 12 ft. <sup>1</sup>	193.59	232.62

<sup>1</sup> Replacement Hose Kits include two (2) hoses, four (4) hose adaptors and four (4) hose clamps.

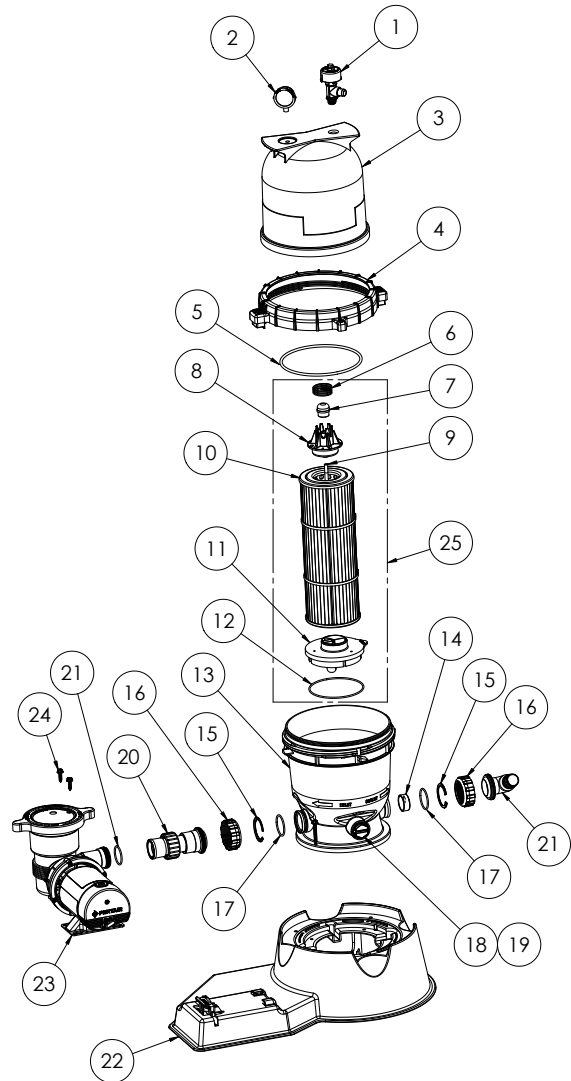
<sup>2</sup> When replacement OptiFlo pump is used on base 155333P and 155333CP.

<sup>3</sup> When replacement OptiFlo pump is used on base 155331P and 155331CP.

# EASYSYSTEM™ FILTER SYSTEMS

## REPLACEMENT PARTS

Item	Part No.	Description	US List	Can. List
<b>EASYSYSTEM FILTER SYSTEMS</b>				
1	98209800	High Flow Manual Relief Valve	51.45	61.82
2	190058Z	Pressure Gauge	64.42	77.41
3	178561	Lid, Almond	223.85	268.98
4	59052900	Locking Ring Assy	147.32	177.02
5	87300400Z	Body O-Ring	14.53	17.46
6	178616	Compression Spring	9.68	11.63
7	190106Z	Air Bleeder	40.11	48.20
8	178626	Center Core Top, EC	27.33	32.84
9	U37-3/8P	Air Bleeder Tube, EC60	CALL	CALL
9	U37-3/8P	Air Bleeder Tube, EC90	CALL	CALL
10	178757	Cartridge Element, EC60	127.42	153.11
10	178656	Cartridge Element, EC90	260.17	312.62
11	178627	Center Core Bottom, EC	23.87	28.68
12	071422	O-Ring, Center Core	10.39	12.48
13	178562	Tank Bottom, EC60	423.80	509.24
13	178563	Tank Bottom, EC90	540.09	648.97
14	51516100	Check Valve Kit	59.74	71.78
15	39104500	C-Clip Union Nut	2.83	3.40
16	98212200	Union Nut	16.28	19.56
17	071426	O-Ring Union	2.40	2.88
18	86202000	Drain Cap with O-Ring	28.58	34.34
19	51005000	O-Ring Drain Cap	10.39	12.48
20	155372	Pump to Filter Assembly (OptiFlo) - comes with O-ring (354571)	83.33	100.13
21	354571	O-Ring Union	5.23	6.28
22	155333P	Systems Base	139.80	167.98
23		OptiFlo Pump		
24	710009	Base Hardware Kit	24.42	29.34
25 <sup>1</sup>	196060	Element Retro Kit, EC60	204.79	246.08
25 <sup>1</sup>	196060	Element Retro Kit, EC90	204.79	246.08
<b>NOT SHOWN</b>				
	155151	Flex Hose Kit (6 ft.) <sup>2</sup>	146.69	176.26
	155005	Flex Hose Kit (12 ft.) <sup>2</sup>	193.59	232.62



<sup>1</sup> Item 25 includes items 6 through 12. Item 25 replaces the Center Core, Cartridge Element, and Air Bleeder Sock Kit on filters manufactured before 2014.

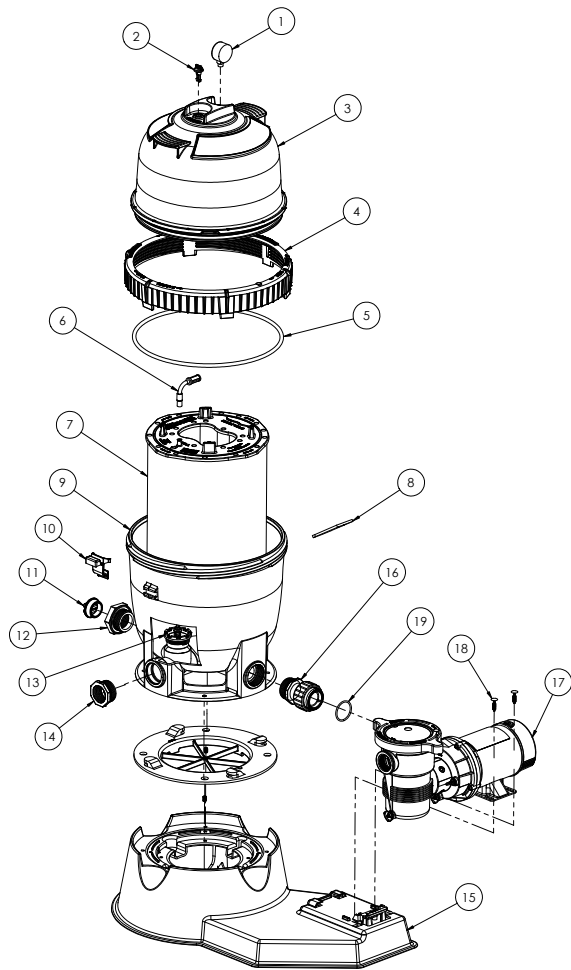
<sup>2</sup> Replacement Hose Kits include two (2) hoses, four (4) hose adapters and four (4) hose clamps.

CALIFORNIA PROPOSITION 65 WARNING

⚠ **WARNING:** Cancer and Reproductive Harm.  
 ⚠ **AVERTISSEMENT:** Peut Causer le Cancer et des Dommages au Système Reproducteur.  
 ⚠ **ADVERTENCIA:** Cáncer y Daño Reproductivo.  
[www.p65warnings.ca.gov](http://www.p65warnings.ca.gov)

# PLD FILTER SYSTEMS

## REPLACEMENT PARTS FOR SYSTEMS MANUFACTURED 2009 AND BEYOND



Note: System shown with 155333P Base and OptiFlo® Pump

Item	Part No.	Description	US List	Can. List
<b>PLD FILTER SYSTEMS 2009 AND BEYOND</b>				
1	15060-0000T	Pressure Gauge	64.53	77.54
2	25010-0200	Air Relief Valve Assembly	26.76	32.15
3	27001-0020S	Tank Shell Upper Half	446.09	536.02
4	27001-0054S	Posi-Lok Ring	297.86	357.91
5	27001-0061S	Body O-Ring	77.72	93.39
6	24800-0120	Air Bleed Assembly	31.13	37.41
7	27002-0030S	Filter Module - PLD50	496.81	596.97
8	27001-0011	Flapper Valve	23.39	28.11
9	27001-0009S	Tank Shell Lower Half	757.79	910.56
10	27001-0051	Safety Latch	20.96	25.19
11	27001-0022	1-1/2 in. NPT Plug	4.16	5.00
12	24900-0510	Adapter Fitting	40.47	48.63
13	27001-0130S	Spring Check Valve	32.32	38.84
14	U78-820P3	2 in. to 1-1/2 in. Pipe Reducer	19.17	23.03
15	155331P	Systems Base (ABG/JWP)	289.01	347.27
15	155331CP	Systems Base, CSA (ABG/JWP)	297.70	357.72
15	155333P	Systems Base (OptiFlo)	139.80	167.98
15	155333CP	Systems Base, CSA (OptiFlo)	139.79	167.97
16	155403	Pump to Filter Hose Assembly (JWP)	72.07	86.60
16	155374	Pump to Filter Assembly (OptiFlo) <sup>2</sup>	72.07	86.60
16	155765	Pump to Filter Assembly (OptiFlo) <sup>3</sup>	60.19	72.32
17		OptiFlo Pump		
18	710009	Base Hardware Kit	24.42	29.34
19	354571	O-Ring, Union	5.23	6.28
<b>NOT SHOWN</b>				
	155151	Kit, Flex Hose, 6 ft. <sup>1</sup>	146.69	176.26
	155005	Kit, Flex Hose, 12 ft. <sup>1</sup>	193.59	232.62

CALIFORNIA PROPOSITION 65 WARNING  
 ⚠️ **WARNING:** Cancer and Reproductive Harm.  
 ⚠️ **AVERTISSEMENT:** Peut Causer le Cancer et des Dommages au Système Reproducteur.  
 ⚠️ **ADVERTENCIA:** Cáncer y Daño Reproductivo.  
[www.p65warnings.ca.gov](http://www.p65warnings.ca.gov)

<sup>1</sup> Replacement Hose Kits include two (2) hoses, four (4) hose adapters and four (4) hose clamps.

<sup>2</sup> When replacement OptiFlo pump is used on base 155333P and 155333CP.

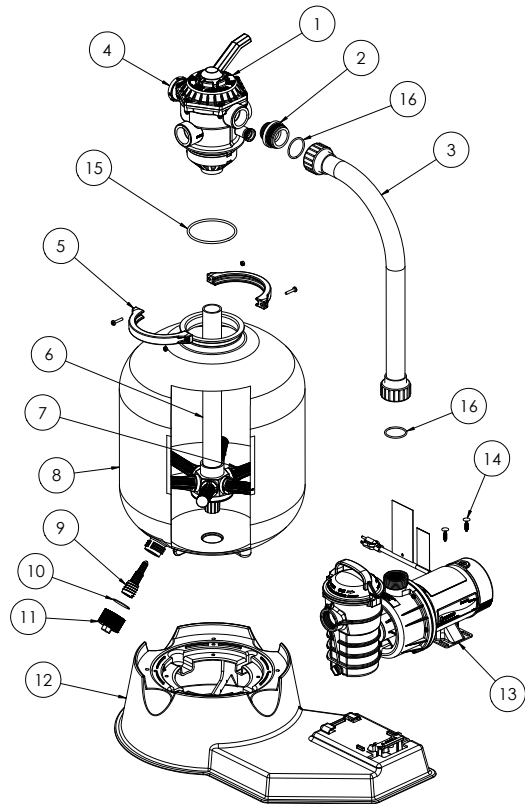
<sup>3</sup> When replacement OptiFlo pump is used on base 155331P and 155331CP.

# SAND DOLLAR® FILTER SYSTEMS

## REPLACEMENT PARTS FOR SYSTEMS MANUFACTURED 2009 AND BEYOND

Item	Part No.	Description	US List	Can. List
<b>SAND DOLLAR FILTER SYSTEMS 2009 AND BEYOND</b>				
1	262506	Valve, 1-1/2 Inch, 6-Way	CALL	CALL
2	354588	Adaptor, NPT to Buttress	30.09	36.16
3	155709	Pump to Filter Assembly (Dynamo to SD35)	91.99	110.54
3	155710	Pump to Filter Assembly (Dynamo to SD40)	96.18	115.57
3	155711	Pump to Filter Assembly (Dynamo to SD60)	101.28	121.70
4	190059Z	Pressure Gauge	CALL	CALL
5	152165	Clamp Assembly	36.72	44.12
6	152229	Piping Assembly – SD35	182.26	219.00
6	152228	Piping Assembly – SD40	168.27	202.19
6	152227	Piping Assembly – SD60	195.62	235.06
7	150084	Lateral – SD 35 & SD 40	10.12	12.16
7	150085	Lateral – SD60	12.72	15.28
8	145339	Tank w/ Drain – SD35	419.44	504.00
8	145341	Tank w/ Drain – SD40	556.48	668.67
8	145343	Tank w/ Drain – SD60	770.44	925.76
9	154711Z	Sand Drain	24.83	29.84
10	154715	Gasket (Sand Drain)	8.43	10.13
11	154712Z	Drain Cap	CALL	CALL
12	155333P	Systems Base	139.80	167.98
12	155333CP	Systems Base, CSA Pump	139.79	167.97
13		OptiFlo Pump		
14	710009	Base Hardware Kit	24.42	29.34
15	272541	O-Ring Valve Body	11.99	14.41
16	354571	O-Ring, Union	5.23	6.28
<b>NOT SHOWN</b>				
	155151	Kit, Flex Hose, 6 ft. <sup>1</sup>	146.69	176.26
	155005	Kit, Flex Hose, 12 ft. <sup>1</sup>	193.59	232.62

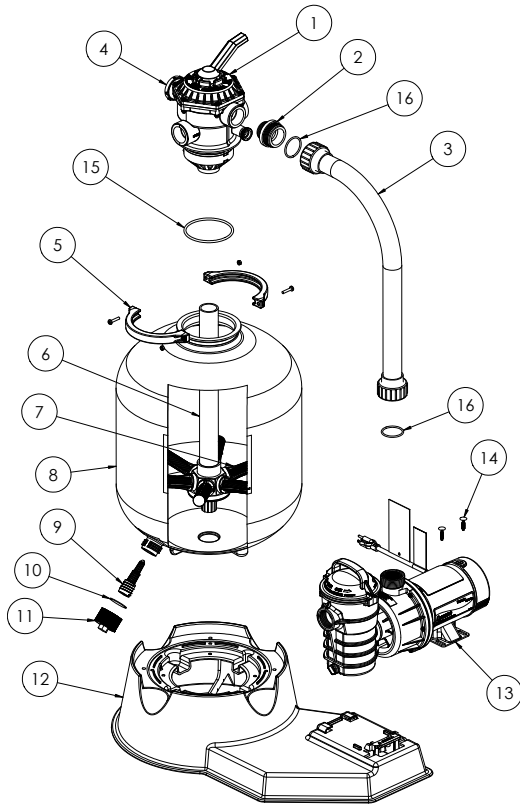
<sup>1</sup> Replacement Hose Kits include two (2) hoses, four (4) hose adaptors and four (4) hose clamps.



CALIFORNIA PROPOSITION 65 WARNING  
 ⚠️ **WARNING:** Cancer and Reproductive Harm.  
 ⚠️ **AVERTISSEMENT:** Peut Causer le Cancer et des Dommages au Système Reproducteur.  
 ⚠️ **ADVERTENCIA:** Cáncer y Daño Reproductivo.  
[www.p65warnings.ca.gov](http://www.p65warnings.ca.gov) PK2019A

# CRISTAL-FLO™ II FILTER SYSTEMS

## REPLACEMENT PARTS FOR SYSTEMS MANUFACTURED 2009 AND BEYOND



Item	Product	Description	US List	Can. List
<b>CRISTAL-FLO II FILTER SYSTEMS 2009 AND BEYOND</b>				
1	262506	Valve, 1-1/2 Inch, 6-Way	CALL	CALL
2	354588	Adaptor, NPT to Buttress	30.09	36.16
3	155726	Pump to Filter Assy (JWP/ABG to 16 in. Tank)	91.99	110.54
3	155727	Pump to Filter Assy (JWP/ABG to 19 in. Tank)	96.18	115.57
3	155728	Pump to Filter Assy (JWP/ABG to 22 in. Tank)	101.28	121.70
3	155709	Pump to Filter Assy (Dynamo/OptiFlo to 16 in. Tank)	91.99	110.54
3	155710	Pump to Filter Assy (Dynamo/OptiFlo to 19 in. Tank)	96.18	115.57
3	155711	Pump to Filter Assy (Dynamo/OptiFlo to 22 in. Tank)	101.28	121.70
4	190059Z	Pressure Gauge	64.42	77.41
5	152165	Clamp Assembly	36.72	44.12
6	152229	Piping Assembly – 16 in. Tank	182.26	219.00
6	152228	Piping Assembly – 19 in. Tank	168.27	202.19
6	152227	Piping Assembly – 22 in. Tank	195.62	235.06
7	150084	Lateral – 16 in. & 19 in. Tanks	10.12	12.16
7	150085	Lateral – 22 in. Tanks	12.72	15.28
8	145364	Tank w/ Drain – 16 in. Tank	401.99	483.03
8	145365	Tank w/ Drain – 19 in. Tank	533.25	640.75
8	145366	Tank w/ Drain – 22 in. Tank	738.34	887.19
9	154711Z	Sand Drain	24.83	29.84
10	154715	Gasket (Sand Drain)	8.43	10.13
11	154712Z	Drain Cap	44.75	53.77
12	155333P	Systems Base	139.80	167.98
12	155333CP	Systems Base, CSA Pump	139.79	167.97
13		OptiFlo Pump		
14	710009	Base Hardware Kit	24.42	29.34
15	272541	O-Ring Valve Body	11.99	14.41
16	354571	O-Ring, Union	5.23	6.28
<b>NOT SHOWN</b>				
	155151	Kit, Flex Hose, 6 ft. <sup>1</sup>	146.69	176.26
	155005	Kit, Flex Hose, 12 ft. <sup>1</sup>	193.59	232.62
	155767	Conn Kit, Pump to Filter All sizes	50.21	60.33

<sup>1</sup> Replacement hose kits include (2) hoses, (4) hose adapters and (4) hose clamps.

CALIFORNIA PROPOSITION 65 WARNING  
 ⚠️ **WARNING:** Cancer and Reproductive Harm.  
 ⚠️ **AVERTISSEMENT:** Peut Causer le Cancer et des Dommages au Système Reproducteur.  
 ⚠️ **ADVERTENCIA:** Cáncer y Daño Reproductivo.  
[www.p65warnings.ca.gov](http://www.p65warnings.ca.gov)      P8 2015A