

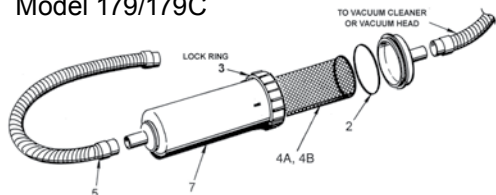
MAINTENANCE & SAFETY EQUIPMENT

Product Catalog 2023

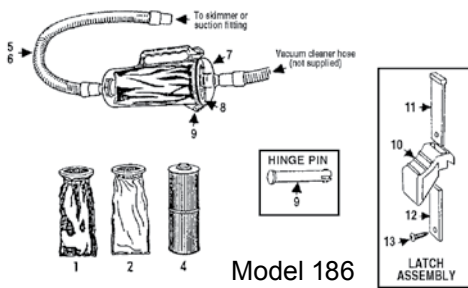
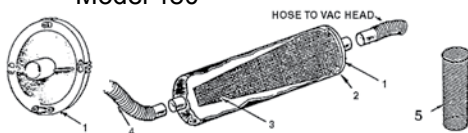
LEAF TRAPS - MODELS 179/179C, 180 & 186

REPLACEMENT PARTS

Model 179/179C



Model 180



Model 186



360476

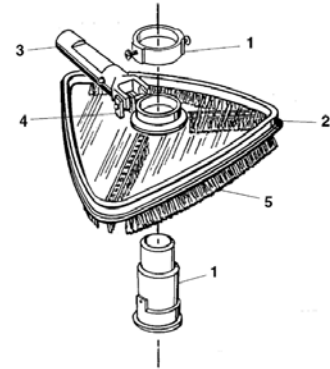
CALIFORNIA PROPOSITION 65 WARNING
 ⚠️ **WARNING:** Cancer and Reproductive Harm.
 ⚠️ **AVERTISSEMENT:** Peut Causer le Cancer et des Dommages au Système Reproducteur.
 ⚠️ **ADVERTENCIA:** Cáncer y Daño Reproductivo.
www.p65warnings.ca.gov PH 201514

| Item | Part No. | Description | US List | Can.List |
|---|----------|--|---------|----------|
| Model 179/179C | | | | |
| 2 | R172223Z | O-ring No. 360 | CALL | CALL |
| 3 | R172214 | Lock ring | 26.29 | 31.59 |
| 4 | R211516 | Std. mesh bag No. 179 | 20.12 | 24.18 |
| 4A | R211536 | Canvas bag No. 179 and No. 186 | 56.32 | 67.67 |
| 4B | R211518 | Sand/silt bag No. 179 and No. 186 | 39.81 | 47.84 |
| 5 | R211256 | 3 ft. Flexible vacuum hose | 34.80 | 41.82 |
| Product No. : R211016 | | | | |
| Model No. : 180 | | | | |
| Description: Leaf Trap | | | | |
| 1 | R211206 | Lid No. 171 | 19.95 | 23.97 |
| 2 | R18608 | O-ring No. 256 | 12.97 | 15.58 |
| 3 | R211216 | Std. mesh bag No. 180 | 16.65 | 20.01 |
| 4 | R211256 | 3 ft. flexible vacuum hose | 34.80 | 41.82 |
| Product No. : R211084 R211086 R211092 R211094 | | | | |
| Model No. : 186-A 186-B 186-C 186-D | | | | |
| Description: Leaf Trap Leaf Trap Leaf Trap Leaf Trap | | | | |
| 1 | R211516 | Std. mesh bag No. 179 | 20.12 | 24.18 |
| 2 | R211536 | Canvas bag No. 179, No. 186 | 56.32 | 67.67 |
| 2A | R211518 | Sand/silt bag | 39.81 | 47.84 |
| 4 | R172653 | 25 sq. ft. cartridge w/ plug | 63.55 | 76.36 |
| 4A | R172654 | 50 sq. ft. cartridge w/ plug | 110.22 | 132.44 |
| 5 | R211256 | 3 ft. of 1-1/2 in. vacuum hose | 34.80 | 41.82 |
| 6 | R211260 | 3 ft. of 2 in. vacuum hose | 49.54 | 59.53 |
| 7 | R18650 | Lid only 1-1/2 in. | 42.72 | 51.33 |
| 7A | R18651 | Lid only 2 in. | 45.72 | 54.94 |
| 8 | R172223Z | O-Ring | CALL | CALL |
| 9 | R18654 | Hinge pin | 2.17 | 2.61 |
| 10 | R18648 | Latch handle | 8.56 | 10.29 |
| 11 | R18655 | Spring latch | 2.17 | 2.61 |
| 12 | R18656 | Retainer spring latch | 2.17 | 2.61 |
| 13 | R01045 | Screw No. 6 x 1/2 in. | 2.17 | 2.61 |
| 13 | R211600 | Latch & O-ring kit (includes No. 8 through No. 13) | 14.09 | 16.93 |
| 14 | R18680 | 2 in. Canister & handle only | 151.46 | 181.99 |
| 14A | R18682 | 1-1/2 in. Canister & handle only | 151.46 | 181.99 |
| Product No: 360476 Leaf Trap | | | | |
| 1 | 371208 | Main body | 75.62 | 90.86 |
| 2 | 371252 | Lid | 37.81 | 45.43 |
| 3 | 371253 | Rubber seal | 26.46 | 31.79 |
| 4 | 371254 | Clasp | 37.81 | 45.43 |
| 5 | 371255 | Internal basket | 37.81 | 45.43 |

CLEAR VIEW VACUUM - MODEL 196

REPLACEMENT PARTS

| Item | Part No. | Description | US List | Can. List |
|--------------------------------|----------|---------------------------------|---------|-----------|
| Product No. : R201032 R201034 | | | | |
| Model No. : 196 196LW | | | | |
| Description: CLEAR VIEW VACUUM | | | | |
| 1 | R03183 | Swivel hose connector parts kit | 16.00 | 19.23 |
| 2 | R03132 | Vinyl replacement bumper | 8.54 | 10.26 |
| 3 | R201476 | No. 192 Snap adapt handle | 7.57 | 9.10 |
| 4 | R03101Z | 2-1/4 in. connecting pin | CALL | CALL |
| 5 | R201540 | Replacement brushes | 24.58 | 29.54 |



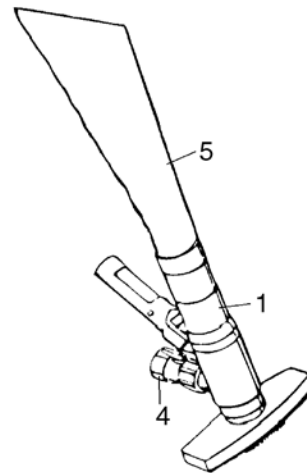
CALIFORNIA PROPOSITION 65 WARNING
 ⚠️ **WARNING:** Cancer and Reproductive Harm.
 ⚠️ **AVERTISSEMENT:** Peut Causer le Cancer et des Dommages au Système Reproducteur.
 ⚠️ **ADVERTENCIA:** Cáncer y Daño Reproductivo.
www.p65warnings.ca.gov PN322174

Product on page 212.

MINI VAC - MODEL 204

REPLACEMENT PARTS

| Item | Part No. | Description | US List | Can. List |
|------------------------|----------|-------------------------------------|---------|-----------|
| Product No. : R201146 | | | | |
| Model No. : 204 | | | | |
| Description: MINI VAC® | | | | |
| 5 | R201696 | Replacement bag | 12.56 | 15.09 |
| 5A | R201718 | Replacement bags, 2 per bubble pack | 30.68 | 36.87 |
| Opt. | R201716 | Silt socks, 3 per bubble pack | 13.20 | 15.86 |

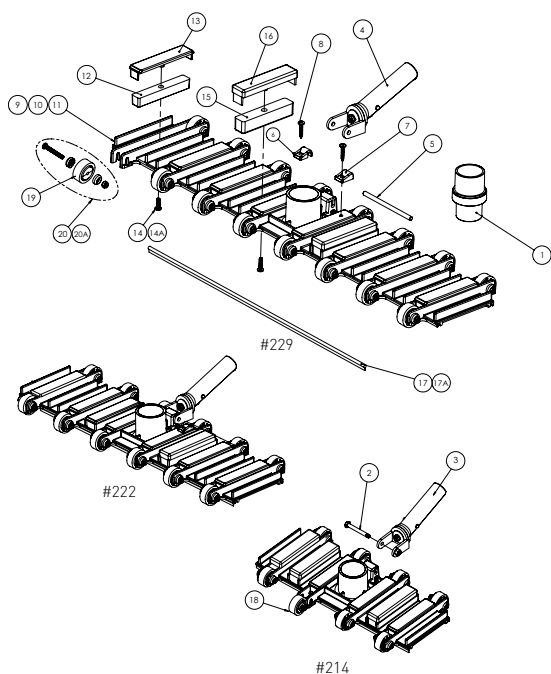


CALIFORNIA PROPOSITION 65 WARNING
 ⚠️ **WARNING:** Cancer and Reproductive Harm.
 ⚠️ **AVERTISSEMENT:** Peut Causer le Cancer et des Dommages au Système Reproducteur.
 ⚠️ **ADVERTENCIA:** Cáncer y Daño Reproductivo.
www.p65warnings.ca.gov PN322174

Product on page 214.

PROVAC® VACUUM - MODEL 214R, 222R, 214, 222, 229

REPLACEMENT PARTS



| Item | Part No. | Description | US List | Can. List |
|---|----------|--|---------|-----------|
| Product No. : R201270 R201276 R201286 R201290 R201296 | | | | |
| Model No. : 214R 214 222 222R 229 | | | | |
| Description: PROVAC FLEXIBLE VACUUM | | | | |
| 1 | R201566 | Hose swivel adapter | 6.50 | 7.81 |
| 2 | R201496 | Stainless steel nut & bolt for handle (No. 214, No. 214R & No. 222R) | 2.72 | 3.27 |
| 3 | R201476 | No. 192 Snap-adapt handle (No. 214R, No. 222R) | 7.57 | 9.10 |
| 4 | R201408 | No. 152 Metal swivel handle (No. 214, No. 222 & No. 229) | 48.79 | 58.63 |
| 5 | R03161 | Stainless steel shaft (No. 222 & No. 229) | 9.79 | 11.76 |
| 6 | R03087 | Left shaft retainer | 2.17 | 2.61 |
| 7 | R03088 | Right shaft retainer | 2.17 | 2.61 |
| 8 | R01023 | Screw, shaft retainer | 2.17 | 2.61 |
| 9 | R03152 | Flexible body only (No. 214) | 12.21 | 14.67 |
| 10 | R03153 | Flexible body only (No. 222) | 35.48 | 42.63 |
| 11 | R03154 | Flexible body only (No. 229) | 42.94 | 51.60 |
| 12 | R02006 | Lead only | 8.81 | 10.59 |
| 13 | R03128 | Lead cover only | 2.23 | 2.68 |
| 14 | R01074 | Screw, lead cover 5/8 in. | CALL | CALL |
| 14A | R01075 | Screw, lead cover 3/4 in. | 2.17 | 2.61 |
| 15 | R02009 | Lead, large only | 18.31 | 22.00 |
| 16 | R03160 | Lead cover, large only | 8.56 | 10.29 |
| 17 | R201776 | White flex strip, short leg, 5 ft. bubble pack | 9.81 | 11.79 |
| 17A | R201778 | Blue flex strip, long leg, 5 ft. bubble pack | 12.60 | 15.14 |
| 18 | R03021Z | No. 174 Solid plastic wheel (No. 214R, No. 222R) | CALL | CALL |
| 19 | R201557Z | No. 175 Ball bearing polyurethane wheel | 11.12 | 13.36 |
| 20 | R201456 | Axle assembly, does not include wheel (No. 214R, No. 222R) | 4.61 | 5.54 |
| 20A | R201458 | Axle assembly, does not include wheel (No. 214, No. 222, No. 229) | 2.14 | 2.57 |

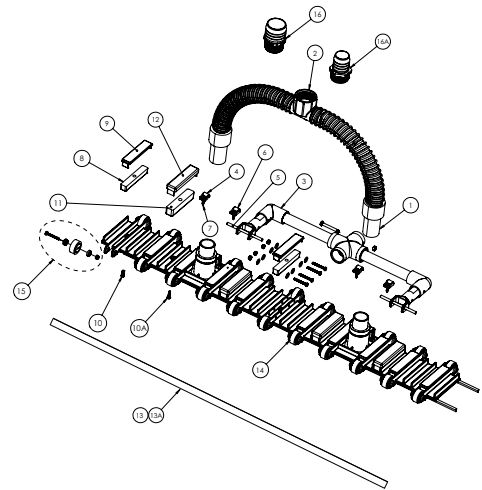
CALIFORNIA PROPOSITION 65 WARNING

⚠ **WARNING:** Cancer and Reproductive Harm.
 ⚠ **AVERTISSEMENT:** Peut Causer le Cancer et des Dommages au Système Reproducteur.
 ⚠ **ADVERTENCIA:** Cáncer y Daño Reproductivo.
www.p65warnings.ca.gov

SUPER PROVAC® VACUUM - MODEL 241

REPLACEMENT PARTS

| Item | Part No. | Description | US List | Can. List |
|---|----------|--|---------|-----------|
| Product No. : R201298 | | | | |
| Model No. : 241 | | | | |
| Description: SUPER PROVAC FLEXIBLE VACUUM | | | | |
| 1 | R201566 | Hose swivel adapter | 6.50 | 7.81 |
| 2 | R201756 | Manifold assembly | 89.65 | 107.72 |
| 3 | R201780 | Handle joining assembly | 127.35 | 153.02 |
| 4 | R03087 | Left shaft retainer | 2.17 | 2.61 |
| 5 | R03161 | SS shaft | 9.79 | 11.76 |
| 6 | R03088 | Right shaft retainer | 2.17 | 2.61 |
| 7 | R01023 | Screws, shaft retainer | 2.17 | 2.61 |
| 8 | R02006 | Lead only | 8.81 | 10.59 |
| 9 | R03128 | Lead cover only | 2.23 | 2.68 |
| 10 | R01074 | Screws, lead cover 5/8 in. | CALL | CALL |
| 10A | R01075 | Screws, lead cover 3/4 in. | 2.17 | 2.61 |
| 11 | R02009 | Lead, large only | 18.31 | 22.00 |
| 12 | R03160 | Lead cover, large only | 8.56 | 10.29 |
| 13 | R201776 | White flex strip, short leg, 5 ft. bubble pack | 9.81 | 11.79 |
| 13A | R201778 | Blue flex strip, long leg, 5 ft. bubble pack | 12.60 | 15.14 |
| 14 | R201557Z | No. 175 Ball bearing polyurethane wheel | 11.12 | 13.36 |
| 15 | R201458 | Axle assembly, does not include wheel | 2.14 | 2.57 |
| 16 | R03120 | 2 in. Insert male adapter | 31.16 | 37.44 |
| 16A | R03121 | 1-1/2 in. Insert male adapter | 10.87 | 13.06 |



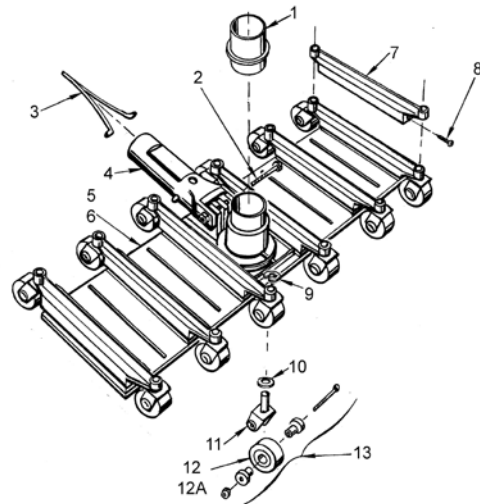
CALIFORNIA PROPOSITION 65 WARNING
 ⚠️ **WARNING:** Cancer and Reproductive Harm.
 ⚠️ **AVERTISSEMENT:** Peut Causer le Cancer et des Dommages au Système Reproducteur.
 ⚠️ **ADVERTENCIA:** Cáncer y Daño Reproductivo.
www.p65warnings.ca.gov PH 20171A

Product on page 213.

SWIVEL WHEEL FLEXIBLE VACUUMS - MODELS 250, 252

REPLACEMENT PARTS

| Item | Part No. | Description | US List | Can. List |
|---|----------|---|---------|-----------|
| Product No. : R201126 R201136 | | | | |
| Model No. : 250 252 | | | | |
| Description: SWIVEL WHEEL FLEXIBLE VACUUM | | | | |
| 1 | R201566 | Hose swivel adapter | 6.50 | 7.81 |
| 2 | R201496 | SS bolt and nut for handle | 2.72 | 3.27 |
| 3 | R22001Z | Spring clip w/High Performance Acetal Resin No. 170 | 2.84 | 3.41 |
| 4 | R201476 | Snap adapt handle w/ delrin clip No. 192 | 7.57 | 9.10 |
| 5 | R03012 | Flexible base 19 in. model No. 250 | 51.86 | 62.31 |
| 6 | R03013 | Flexible base 14 in. model No. 252 | CALL | CALL |
| 7 | R03032 | Caster support No. 265 ¹ | 8.56 | 10.29 |
| 8 | R01023 | Lead retainer screw ¹ | 2.17 | 2.61 |
| 9 | R03058 | SS retainer clip No. 267 ¹ | 8.56 | 10.29 |
| 10 | R201626 | Wheel adjustment washers No. 266 ¹ | 3.58 | 4.30 |
| 11 | R03026 | Swivel caster No. 263 ¹ | 8.56 | 10.29 |
| 12 | R03021Z | Solid plastic wheel model No. 252 ¹ | CALL | CALL |
| 12A | R03022 | Solid polyurethane wheel model No. 250 ¹ | 5.37 | 6.45 |
| 13 | R201606 | Axle assembly (less wheel) No. 264 ¹ | 4.81 | 5.78 |
| 13 | R201500 | No. 250 Replacement kit, (4 each) No. 177 wheels, No. 263 casters, No. 264 axle assembly, No. 267 clips, bubble pack card | 31.78 | 38.19 |
| 13 | R201451 | No. 250 Replacement kit, (4 each) No. 174 wheels, No. 263 casters, No. 264 axle assembly, No. 267 clips, bubble pack card | 21.54 | 25.88 |



¹ Parts fit Model No. 215 Swivel wheel commercial vacuum.

CALIFORNIA PROPOSITION 65 WARNING
 ⚠️ **WARNING:** Cancer and Reproductive Harm.
 ⚠️ **AVERTISSEMENT:** Peut Causer le Cancer et des Dommages au Système Reproducteur.
 ⚠️ **ADVERTENCIA:** Cáncer y Daño Reproductivo.
www.p65warnings.ca.gov PH 20171A

Product on page 213.

VACUUM HEAD PARTS



| Product No. | Model No. | Description | Pack Qty. | Carton Wt. (Lbs.) |
|---|-----------|--|-----------|-------------------|
| WHEELS | | | | |
| 174 SOLID MOLDED WHEEL FITS ALL VACUUMS 1-3/8 IN. WHITE WITH 3/8 IN. HOLE | | | | |
| R03021Z | 174 | Molded wheel | 1 | |
| R201426 | 174 | 4 per card, bubble pack | 12 | 2 |
| 177 POLYURETHANE DELUXE WHEEL 1-3/8 IN. TRANSLUCENT WITH 3/8 IN. HOLE | | | | |
| R03022 | 177 | Wheel | 1 | |
| R201446 | 177 | 4 per card, bubble pack | 12 | 2 |
| 175 BALL BEARING WHEEL 1-3/8 IN. DIAMETER WITH 3/8 IN. HOLE, LONG WEARING POLYURETHANE WHEEL WITH DELRIN® INNER RACE AND STAINLESS STEEL BALLS | | | | |
| R201557Z | 175 | Ball bearing | 1 | |
| R201558 | 175 | 4 per card, bubble pack | 12 | 2 |
| 178 AXLE ASSEMBLY FOR No. 188, No. 200, No. 201, No. 188-20, No. 214R AND No. 222R | | | | |
| R201456 | 178 | Axle assembly | 1 | |
| R201466 | 178 | 4 sets per card, bubble pack | 12 | 2 |
| 176 AXLE ASSEMBLY. FOR No. 203 | | | | |
| R201470 | 176 | Axle assembly | 1 | |
| R201472 | 176 | 4 sets per card, bubble pack | 12 | 2 |
| REPLACEMENT KITS | | | | |
| R201498 | 203 | Replacement kit, No. 174 wheels, No. 176 axle assembly (4 each) bubble pack | 12 | |
| R201500 | 250 | Replacement kit, (4 each) No. 177 wheels, No. 263 casters, No. 264 axle assembly, No. 267 clips, bubble pack | 12 | |
| R201451 | 252 | Replacement kit, (4 each) No. 174 wheels, No. 263 casters, No. 264 axle assembly, No. 267 clips, bubble pack | 12 | |
| 152 METAL SWIVEL VACUUM HANDLE. POLISHED CHROME FINISH. SNAP-ADAPT. FITS MOST VACS. | | | | |
| R201408 | 152 | Metal swivel handle | 1 | |
| R201409 | 152 | 1 per card, bubble pack. | 12 | |
| FLEX STRIPS FOR PROVAC MODELS | | | | |
| R201776 | | White, bubble pack | 12 | |
| R201778 | | Blue, bubble pack | 12 | |

| Product No. | Model No. | Description | Pack Qty. | Carton Wt. (Lbs.) |
|--|-----------|---|-----------|-------------------|
| 154 METAL ONE PIECE HANDLE. POLISHED CHROME FINISH. SNAP-ADAPT. FITS MOST VACS. | | | | |
| R201421 | 154 | Metal handle | 1 | |
| R201420 | 154 | 1 per card, bubble pack | 12 | |
| 192 SNAP-ADAPT HANDLE. TOUGH ABS WITH DELRIN® SPRING CLIP. FITS ALL VACS AND TELEPOLES. | | | | |
| R201476 | 192 | Snap adapt handle | 1 | |
| R201486 | 192 | 1 per card, bubble pack | 12 | 2 |
| R201492 | 192 | With 2-1/4 in. pin, bubble pack | 12 | 2 |
| R201490 | 192 | With 1-3/4 in. pin, bubble pack | 12 | 2 |
| 170 DELRIN SPRING CLIP | | | | |
| R22001Z | 170 | 170 Spring clip | 1 | |
| R201556 | 170 | 3 per card, bubble pack | 12 | 2 |
| 190 STAINLESS STEEL NUT & BOLT. | | | | |
| R201496 | 190 | For handle mounting | 1 | |
| HANDLE CONNECTION PINS | | | | |
| R03086 | | 1-3/4 in. long, For No. 193 Vac, No. 615 | 1 | |
| R03101Z | | 2-1/4 in. long, For No. 185, No. 196, No. 198, No. 201, No. 203 | 1 | |
| STAINLESS STEEL SPRING | | | | |
| R03099 | | For No. 198, No. 201, No. 203 | 1 | |
| MANIFOLD ASSEMBLY | | | | |
| R201756 | | For No. 207, No. 215, No. 241 | 1 | |
| HANDLE JOINING ASSEMBLY | | | | |
| R201766 | | For No. 207, No. 215 | 1 | |
| R201780 | | For No. 241 | 1 | |
| REPLACEMENT BRUSHES | | | | |
| R201526 | 193R | For No. 193, bubble pack | 7 | 4 |
| R201536 | 194R/195R | For No. 194 and No. 195, bubble pack | 12 | 4 |
| R201540 | 196R | For No. 196, bubble pack | 12 | |
| R201302 | 198R | For No. 198, bubble pack | 12 | 4 |
| PROVAC II WHEELS | | | | |
| 200086 | | Replacement Wheel Kit (4 per kit) | | |

CALIFORNIA PROPOSITION 65 WARNING

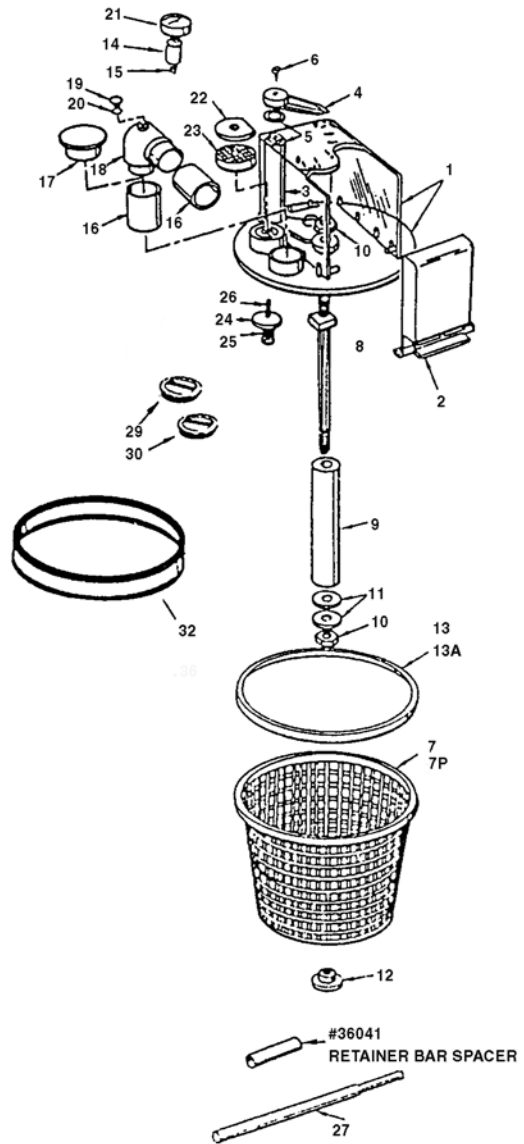
⚠️ **WARNING:** Cancer and Reproductive Harm.
 ⚠️ **AVERTISSEMENT:** Peut Causer le Cancer et des Dommages au Système Reproducteur.
 ⚠️ **ADVERTENCIA:** Cáncer y Daño Reproductivo.

www.p65warnings.ca.gov. PR02017A

VAC-MATE® VACUUM/SKIMMER

REPLACEMENT PARTS

| Item | Part No. | Qty. | Description | US List | Can. List |
|---|----------|------|--|---------|-----------|
| Product No. : R211100 Description: MULTIFUNCTION VACUUM SKIMMER ATTACHMENT | | | | | |
| 1 | R36026 | 1 | Top housing & plate assembly (large) R211100 | 89.81 | 107.92 |
| 2 | R36027 | 1 | Weir assembly | 8.54 | 10.26 |
| 3 | R36028 | 1 | Control shaft assembly | 8.54 | 10.26 |
| 4 | R36013 | 1 | Control handle | 8.56 | 10.29 |
| 5 | R36022 | 2 | Thrust washer | 2.17 | 2.61 |
| 6 | R01045 | 1 | Control handle screw | 2.17 | 2.61 |
| 7 | R36009 | 1 | Debris basket only R211100 | 19.72 | 23.70 |
| 7P | R38007 | 1 | Debris basket, Pentair style 501021-1022 | 10.04 | 12.06 |
| 8 | R36017 | 1 | Basket shaft R211100-5 1/2 in. | 8.56 | 10.29 |
| 9 | R36003 | 1 | Lead weight | 12.00 | 14.42 |
| 10 | R01066 | 2 | Hex nut 3/8-16 | 2.17 | 2.61 |
| 11 | R36016 | 2 | Spacer washer | 2.23 | 2.68 |
| 12 | R36024 | 1 | Knob | 8.56 | 10.29 |
| 13 | R36002 | 1 | Gasket, large, fits R36009 basket | 8.10 | 9.73 |
| 13A | R36025 | 1 | Gasket, Hayward style basket | 8.12 | 9.76 |
| 14 | R172204 | 1 | Coupling, vacuum gauge R211101 | CALL | CALL |
| 15 | R172050 | 1 | Nipple, vacuum gauge R211101 | CALL | CALL |
| 16 | R36030Z | 2 | Cuff | CALL | CALL |
| 17 | R36019 | 1 | Cap plug | 8.56 | 10.29 |
| 18 | R36031 | 1 | 90° elbow | 11.29 | 13.57 |
| 19 | R172392 | 1 | Plug 1/4 in. MPT | 8.56 | 10.29 |
| 20 | R172393 | 1 | O-ring for R172392 plug | 8.56 | 10.29 |
| 21 | R36006 | 1 | Vacuum gauge | 55.45 | 66.63 |
| 22 | R36023 | 1 | Anti-Vortex plate | 8.56 | 10.29 |
| 23 | R36020 | 1 | By-pass screen | 8.56 | 10.29 |
| 24 | R36018 | 1 | Disc, by-pass | 8.56 | 10.29 |
| 25 | R36004 | 1 | Spring, by-pass | 8.56 | 10.29 |
| 26 | R36021 | 1 | Adjustment screw | 2.17 | 2.61 |
| 27 | R36033 | 1 | Retainer bar, long, R211100 | 10.68 | 12.83 |
| 29 | R22011 | 1 | Threaded plug 2 in. | 7.00 | 8.41 |
| 30 | R22010Z | 1 | Threaded plug 1-1/2 in. | CALL | CALL |
| 32 | R36046 | 2 | Gasket, Baker Hydro ring | 8.85 | 10.63 |



CALIFORNIA PROPOSITION 65 WARNING
 ⚠️ WARNING: Cancer and Reproductive Harm.
 ⚠️ AVERTISSEMENT: Peut Causer le Cancer et des Dommages au Système Reproducteur.
 ⚠️ ADVERTENCIA: Cáncer y Daño Reproductivo.
www.p65warnings.ca.gov PIR201714

