

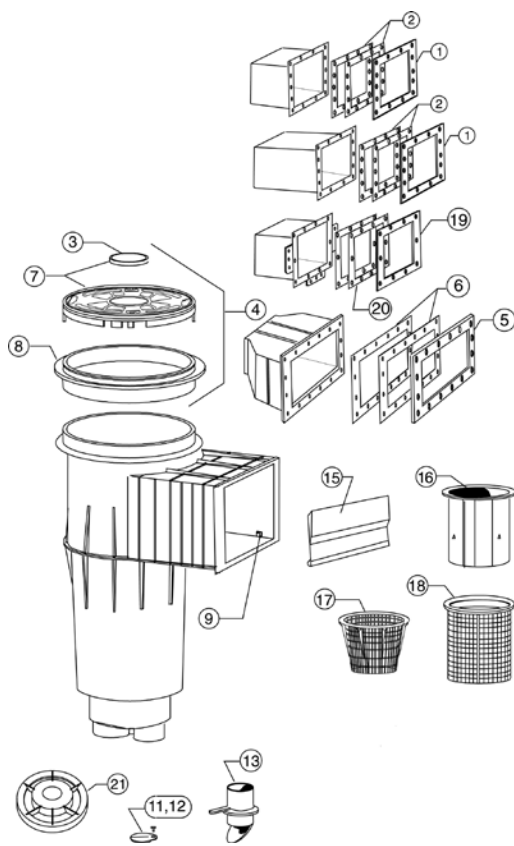


WHITE GOODS PARTS

Product Catalog 2023

ADMIRAL™ SKIMMERS

REPLACEMENT PARTS



Item	Part No.	Description	US List	Can. List
ADMIRAL SKIMMERS				
1	85004200	Frame, sealing liner, white std. 12 hole pattern	31.14	37.42
1	85004211	Frame, sealing liner, black std. 12 hole pattern	31.14	37.42
1	85004213	Frame, sealing liner, gray std. 12 hole pattern	31.14	37.42
2	85001600	Gasket set, liner, std. 12 hole pattern	44.41	53.36
3	510161	Disk, logo	7.56	9.08
4	85000400	Lid/ring seat, complete, white	69.50	83.51
4	85000411	Lid/ring seat, complete, black	58.35	70.11
4	85018000	Lid/ring seat, complete, tan	90.29	108.49
5	85007600	Frame, sealing liner, wide mouth, white	CALL	CALL
6	85007700	Gasket, sealing liner, wide mouth (2), white	58.11	69.82
7	85007400Z	Lock down lid, white	52.93	63.60
7	85007411	Lock down lid, black	39.17	47.07
7	85007413	Lock down lid, gray	38.82	46.65
7	85007430	Lock down lid, tan	47.76	57.39
8	85000600	Ring seat only, 9 in. diameter, white	23.00	27.64
8	85017900	Ring seat only, 9 in. tan	29.34	35.25
9	85017500	Pivot tab for flap weir	1.81	2.17

Item	Part No.	Description	US List	Can. List
11	85002400	Trimmer valve plate, residential	8.12	9.76
12	98204400	Screw for trimmer plate, 10-24 x 1/2 in.	3.57	4.29
13	85002600	Vari-flo control insert only	17.57	21.11
15	85001500	Flap weir	44.41	53.36
16	R38013B	Floating weir, circular	24.23	29.11
17	85014500	Basket, tapered	37.21	44.71
17	85014600	Basket, tapered (S-20 Model Only)	20.10	24.15
18	R38013AZ	Basket, for floating weir	36.86	44.29
19	85000300	Frame, liner, American 10 hole pattern	74.31	89.29
20	81111800	Gasket set, large 10 hole pattern, w/ dbl. wall	23.62	28.38
20	81111700	Gasket set, large 10 hole pattern, w/o dbl. wall	23.62	28.38
21	85015200	Equalizer assembly	69.16	83.10
NOT SHOWN				
	98202600	Screw, sealing ¹	5.89	7.08
	98202700	Screw, sealing ¹	5.95	7.15
	98202900	Screw, sealing ²	2.84	3.41
	98207200	Screw, sealing ²	CALL	CALL
	98203000	Screw ²	3.33	4.00
	85008500	Screw kit, American 10 hole pattern	CALL	CALL
	85008600	Screw kit, American 10 hole pattern, extra long	31.37	37.69
	85008700	Screw kit, std. 12 hole pattern	31.37	37.69
	85008800	Screw kit, std. 12 hole pattern, extra long	31.37	37.69
	85015100	O-ring, skimmer bottom	12.47	14.98
	355330	O-ring, equalizer	2.65	3.18
	85016600Z	Rubber stopper, flap weir	CALL	CALL
	98213000	Screw, 8-32 x 5/8 in. commercial lid	2.85	3.42
	98208500	Washer, gum commercial lid	2.97	3.57
	85014700	Handle, basket	8.04	9.66
	85007200	Angle bracket	CALL	CALL
	85012800	Track-VF skimmer	CALL	CALL
	85014200	Trimmer, equalizer	CALL	CALL
	85009500	Skimmer Lid (Old Style)	41.36	49.70

¹ Used on skimmers manufactured before 2-1-76.

² Used on skimmers manufactured after 2-1-76.

CALIFORNIA PROPOSITION 65 WARNING

⚠️ **WARNING:** Cancer and Reproductive Harm.
 ⚠️ **AVERTISSEMENT:** Peut Causer le Cancer et des Dommages au Système Reproducteur.
 ⚠️ **ADVERTENCIA:** Cáncer y Daño Reproductivo.
www.p65warnings.ca.gov

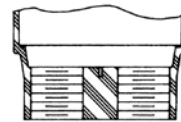
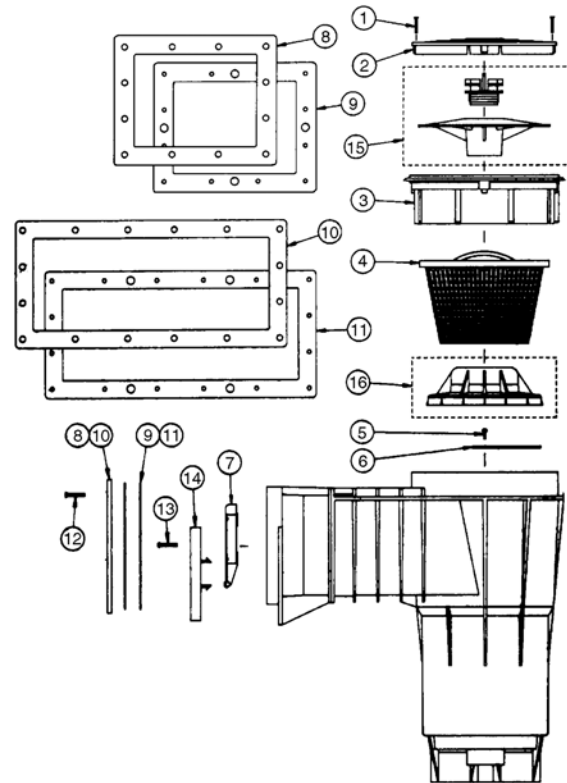
Product on pages 320–321.

Replacement baskets on page 200.

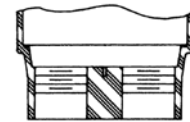
BERMUDA™ SKIMMERS

REPLACEMENT PARTS FOR GUNITE & VINYL LINER SKIMMERS

Item	Part No.	Description	US List	Can. List
BERMUDA SKIMMERS				
1	516242	Screw, No.8-32 x 1 in. SS, 2 req.	2.03	2.44
2	516215	Deck lid, white	39.17	47.07
2	516216	Deck lid, tan	39.17	47.07
2	516306	Deck lid, black	39.17	47.07
3	516259	Deck collar, vinyl, white	43.27	51.99
3	516260	Deck collar, vinyl, tan	46.29	55.62
3	516307	Deck collar, vinyl, black	52.26	62.80
3	516253	Deck collar, gunite, white	34.59	41.56
3	516258	Deck collar, gunite, tan	40.39	48.53
3	516329	Deck collar, gunite, black	44.21	53.12
4	516112Z	Basket	42.58	51.16
5	516243	Screw, No.8 x 1/2 in. SS	0.48	0.58
6	516228	Trimmer plate	8.12	9.76
7	516252Z	Weir gate assembly, white	32.07	38.54
7	516315	Weir gate assembly, black	35.81	43.03
8	516264	Face plate kit, standard throat, white	128.88	154.86
8	516324	Face plate kit, standard throat, black	95.24	114.44
9	552566	Gasket, standard throat, 2 req.	10.72	12.88
10	516265	Face plate kit, widemouth throat, white	128.42	154.31
10	516318	Face plate widemouth, black	136.98	164.60
11	516231	Gasket, widemouth throat, 2 req.	16.72	20.09
12	516345	Screw, No.12-8 x 1-1/4 in. SS, std. face plate	CALL	CALL
13	516241	Screw, No.12-8 x 1-1/4 in. SS, 4 req.	8.12	9.76
14	516237	Flange spacer, 3 req.	8.12	9.76
OPTIONS				
15	506161	Vacuum plate assembly	35.15	42.24
16	506160	Float valve assembly	92.32	110.93
16	195829	2 in. O-ring style plug	12.47	14.98
16	192323	2 in. O-ring for 195829 plug	9.45	11.36
16	191474	1-1/2 in. O-ring for 191368 plug	1.32	1.59
16	506162	Equalizer valve assembly	71.01	85.33
NOT SHOWN				
	516254	Lid/collar set, white	120.18	144.41
	516328	Lid/collar set, black	120.18	144.41
	516261	Lid/collar set, tan	120.18	144.41



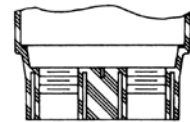
2 in. NPSM Thread



2 in. NPSM Thread
2 in. Slip



1-1/2 in. NPSM Thread



1-1/2 in. NPSM Thread
1-1/2 in. Slip

CALIFORNIA PROPOSITION 65 WARNING
 ⚠️ **WARNING:** Cancer and Reproductive Harm.
 ⚠️ **AVERTISSEMENT:** Peut Causer le Cancer et des Dommages au Système Reproducteur.
 ⚠️ **ADVERTENCIA:** Cáncer y Daño Reproductivo.
 www.p65warnings.ca.gov. PR00114

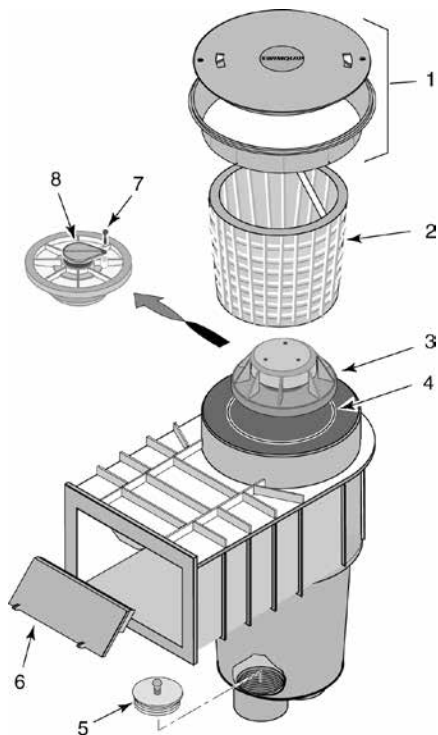
¹ For skimmers manufactured after 2/1/93.

Product on pages 322–323.

Replacement baskets on page 200.



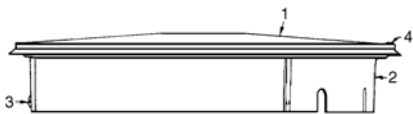
U-3 SKIMMER REPLACEMENT PARTS



¹ For use on Residential U-3 Skimmer Models. Must purchase if skimmer does not come with a float.

² For Use on Vinyl Liner Skimmers.

³ For skimmers purchased after July 2012.



CALIFORNIA PROPOSITION 65 WARNING
⚠️ WARNING: Cancer and Reproductive Harm.
⚠️ AVERTISSEMENT: Peut Causer le Cancer et des Dommages au Système Reproducteur.
⚠️ ADVERTENCIA: Cáncer y Daño Reproductivo.
www.p65warnings.ca.gov

Item	Part No.	Description	US List	Can List
U-3 SKIMMER PARTS				
1	08650-0169	Lid and Collar - White (Model 09655-2403, 09655-2404)	41.36	49.70
1	08650-0159	Lid and Collar - Tan (Model 09655-1403, 09655-1404)	49.71	59.73
1	08650-0169C	Lid and Collar (Gray)	37.79	45.41
2	08650-0007Z	Basket and Handle	16.72	20.09
3	08650-0079	Float Assembly with O-Ring ¹	48.98	58.85
4	35505-1273	Float O-Ring Only ¹	25.90	31.12
5	08655-0017	Check Valve ¹	CALL	CALL
6	08650-0022	Hinged Weir Assembly	38.21	45.91
6	516442 ³	Hinged Weir Assembly - Brite white	CALL	CALL
7	37207-0027	Screw, #8 x 1/2 in. ¹	6.02	7.23
8	08650-0048Z	Trimmer Plate ¹	CALL	CALL

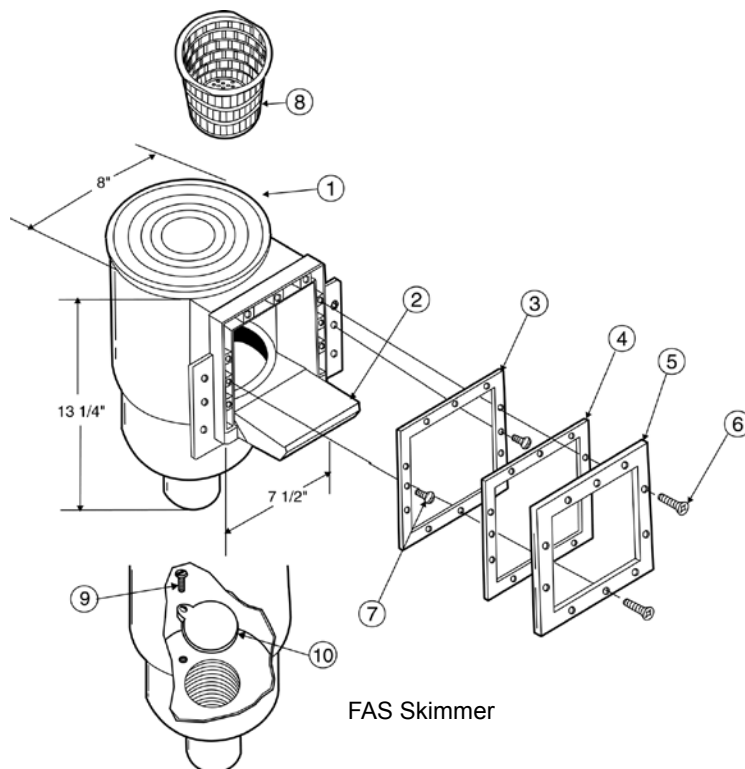
NOT SHOWN				
	37207-0825	Screw, #8 x 3/8 in. Pan Head	6.02	7.23
	08650-0018	Weir Bumper	8.15	9.79
	08650-0067	Basket Handle Only	14.47	17.39
	U78-820P	Reducer, 2 x 1-1/2 in. NPT (Model 09655-1403, 09655-2403)	19.19	23.06
	U78-858P	Reducer, 2 x 1-1/2 in. Slip (Model 09655-1404, 09655-2404)	CALL	CALL
	U9-366	Gasket 2	10.91	13.11
	37416-0004	Screw, #12-14 x 1 in. Flat Head (Model 09655-1404, 09655-2403, 09655-2404)	1.48	1.78
	37416-0005	Screw, #12-14 x 1-1/2 in. Flat Head (Model 09655-1403)	CALL	CALL
	U36-105SS	Nut, Hex #10-24 ²	CALL	CALL
	WC2-8P	Face Plate ²	43.51	52.28
	09655-0010	Skimmer Spacer Block ²	CALL	CALL
	08650-0042	Vacuum Plate ¹	35.43	42.57
	WC37-503P	Skimmer Extension Collar ²	48.53	58.31

Item	Part No.	Description	US List	Can. List
U-3 SKIMMER LIDS AND COLLARS				
1	08650-0058	Lid Only (White)	34.32	41.24
1	08650-0158	Lid Only (Tan)	34.32	41.24
1	08650-0058C	Lid Only (Gray)	35.34	42.46
2	08650-0025	Collar Only (White)	33.44	40.18
2	08650-0125	Collar Only (Tan)	33.44	40.18
2	08650-0025C	Collar Only (Gray)	CALL	CALL
3	08650-0069	Hardware	5.97	7.17

Product on pages 324–325.

SKIMMERS FOR ABOVEGROUND POOLS

REPLACEMENT PARTS

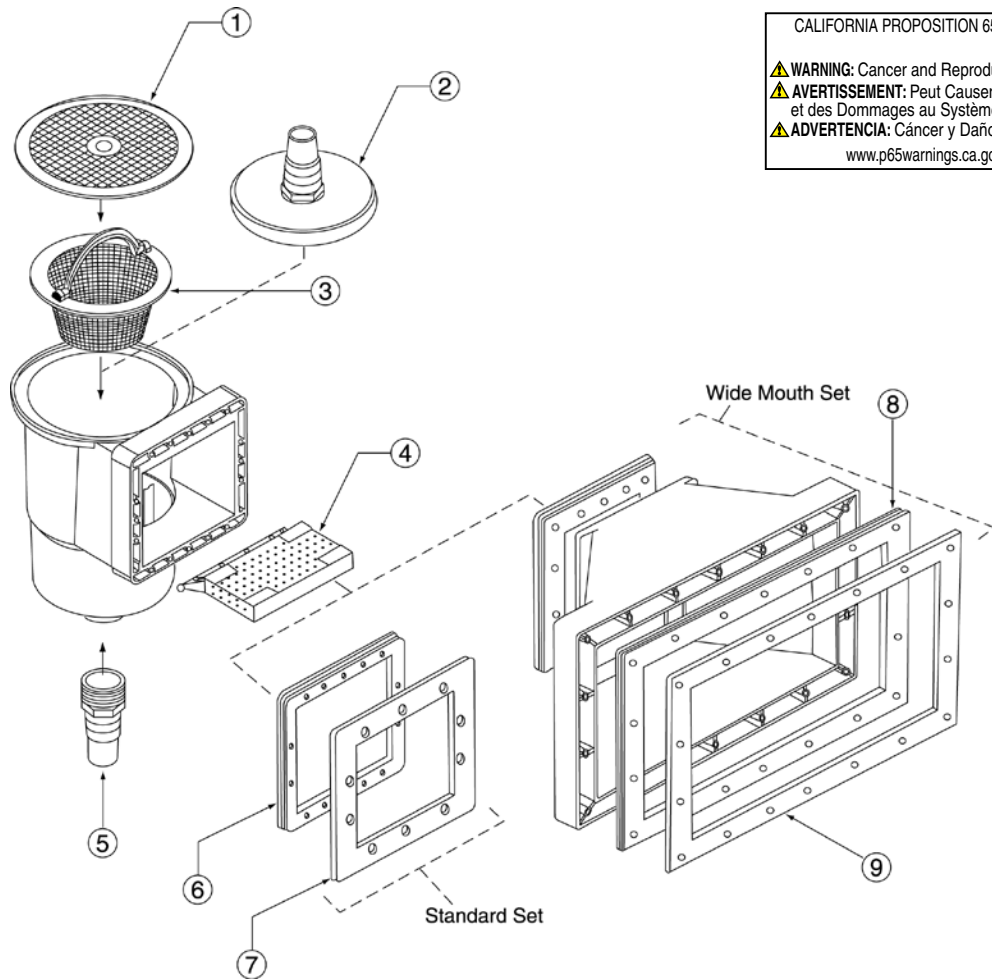


Item	Part No.	Description	US List	Can. List
FAS 100® SKIMMERS				
1	85004700	Lid for optional top access	22.86	27.47
2	85003200	Flap weir	54.76	65.80
3	85003300	Gasket, sealing rear (thick)	10.69	12.85
4	85003400	Gasket, sealing front	10.69	12.85
5	85004000	Sealing frame	20.13	24.19
6	98207200	Screw, sealing 13-16 x 1-1/4 in. high-low, XL	CALL	CALL
6	98202900	Screw, SS sealing phil. 13-16 x 1 in., high-low fh.	2.84	3.41
7	98203000	Screw, SS retainer slot. 13-16 x 3/4 in. high-low pph.	3.33	4.00
8	85003900	Basket	21.39	25.70
9	98204400	Screw, SS 10-24 x 1/2 in. pph. for trimmer plate	3.57	4.29
10	85009600	Plate, trimmer	7.29	8.76
NOT SHOWN				
	85002800	Plate, vacuum adapter	10.82	13.00
	510166	Hose adapter, 1-1/2 in. MIPT x 1-1/4 in.	CALL	CALL
	85009700	Screw kit, std.	31.37	37.69
	85009800	Screw kit, extra long screws	31.37	37.69
	85017600	Pivot tab, for flap weir	1.81	2.17

CALIFORNIA PROPOSITION 65 WARNING
 ⚠️ **WARNING:** Cancer and Reproductive Harm.
 ⚠️ **AVERTISSEMENT:** Peut Causer le Cancer et des Dommages au Système Reproducteur.
 ⚠️ **ADVERTENCIA:** Cáncer y Daño Reproductivo.
www.p65warnings.ca.gov PA 20251A

HYDROSKIM SKIMMERS

REPLACEMENT PARTS



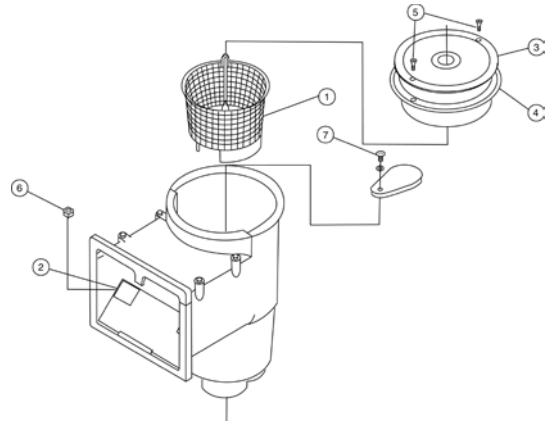
CALIFORNIA PROPOSITION 65 WARNING
 ⚠️ **WARNING:** Cancer and Reproductive Harm.
 ⚠️ **AVERTISSEMENT:** Peut Causer le Cancer et des Dommages au Système Reproducteur.
 ⚠️ **ADVERTENCIA:** Cáncer y Daño Reproductivo.
 www.p65warnings.ca.gov. PWS207XA

Item	Part No.	Description	US List	Can. List
HYDROSKIM SKIMMERS				
1	513333	Lid, white	7.29	8.76
1	513335	Lid, gray	7.29	8.76
2	513351	Vacuum plate	8.08	9.71
3	513330	Basket	7.29	8.76
4	513352	Weir door	7.29	8.76
5	510166	Hose adapter	CALL	CALL
6	513331	Gasket	5.48	6.58
7	513339	Sealing frame, white	8.57	10.30
7	513340	Sealing frame, black	CALL	CALL
7	513341	Sealing frame, gray	8.57	10.30
8	513332	Gasket, wide mouth	9.08	10.91
9	513345	Sealing frame, wide mouth, white	14.29	17.17
9	513346	Sealing frame, wide mouth, black	CALL	CALL
9	513347	Sealing frame, wide mouth, gray	14.29	17.17

SKIMCLEAN™ SKIMMERS

REPLACEMENT PARTS

Item	Part No.	Description	US List	Can. List
SKIMCLEAN SKIMMERS				
1	513036	Basket	53.57	64.37
2	513027	Weir	37.19	44.69
3	513030	Deck lid	42.20	50.71
4	513031	Deck ring	31.94	38.38
5	512149	Screw, No. 6-32 x 7/16 in. SS, 2 req.	CALL	CALL
6	192106	Nut, 1/4 in., 20 SS, 2 req.	CALL	CALL
7	98204400	Screw, No. 10-24 x 12 in.	3.57	4.29

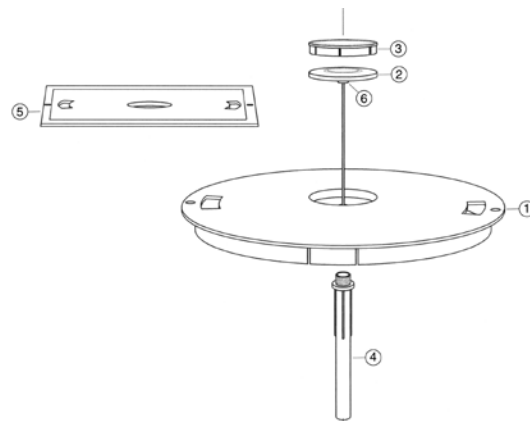


Replacement baskets on page 200.

SKIMMER LID WITH THERMOMETER

REPLACEMENT PARTS

Item	Part No.	Description	US List	Can. List
SKIMMER LID				
1	L1RW	SwimQuip, Swimrite, Jacuzzi®, New Style Hayward®, 9-7/8 in., white	CALL	CALL
1	L1RG	Gray	CALL	CALL
1	L1RB	Almond	CALL	CALL
1	L2R	Baker Hydro®, 9-7/8 in., white	CALL	CALL
1	L4RW	American Products, 9-3/16 in. round, white	CALL	CALL
1	L4RG	Gray	CALL	CALL
1	L4RB	Almond	CALL	CALL
1	L5R	PacFab™, Old Style, 8-3/8 in., white	CALL	CALL
1	L6RW	PacFab, Bermuda, 9-1/4 in., white	CALL	CALL
1	L6RG	Gray	CALL	CALL
1	L6RB	Almond	48.13	57.83
2	SK	Thermometer w/ bushing	90.05	108.20
2,4	SKR	Thermometer w/ tube & bushing	108.31	130.15
3	SKC	Cap for skimmer lid, (white, almond, gray)	13.61	16.35
4	SKTU	Protector tube	17.69	21.26
5	L3R	Hayward®, square, 10 in. x 10 in., white	41.74	50.15
6	SKB	Bushing for thermometer	4.42	5.31



Jacuzzi® is a registered trademark of Jacuzzi, Inc.

Hayward® is a registered trademark of Hayward Industries, Inc.

Baker Hydro® is a registered trademark of Waterco USA DBA Baker Hydro Corp.

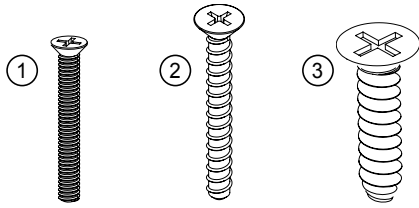
CALIFORNIA PROPOSITION 65 WARNING

⚠️ **WARNING:** Cancer and Reproductive Harm.
 ⚠️ **AVERTISSEMENT:** Peut Causer le Cancer et des Dommages au Système Reproducteur.
 ⚠️ **ADVERTENCIA:** Cáncer y Daño Reproductivo.
www.p65warnings.ca.gov

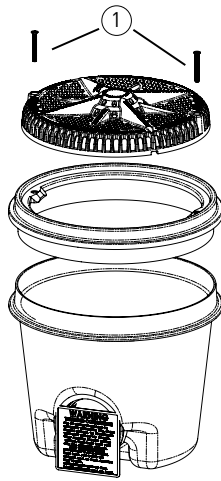
STARGUARD® MAIN DRAINS

REPLACEMENT PARTS

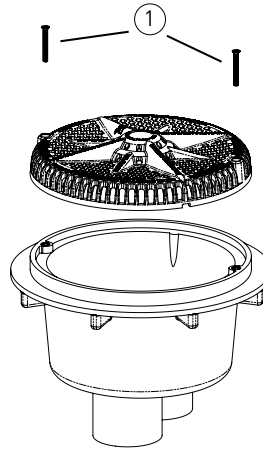
Item	Part No.	Description	US List	Can. List
STARGUARD MAIN DRAINS				
1	510543Z	Kit includes 2 screws	5.95	7.15
2	510583Z	Kit includes 2 screws	4.83	5.80
3	510592Z	Kit includes 8 screws	20.95	25.17
4	07017-0079	Gasket	26.93	32.36
5	500135	Vinyl ring and gasket kit	CALL	CALL



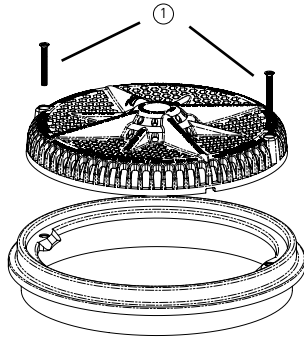
500110-500120



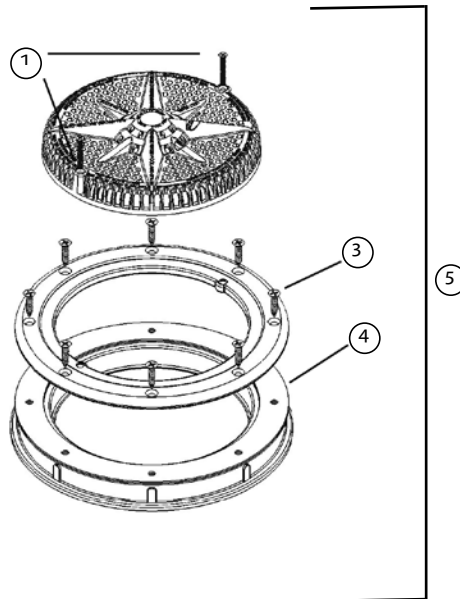
500120-500125



500100-500109
500140-500149



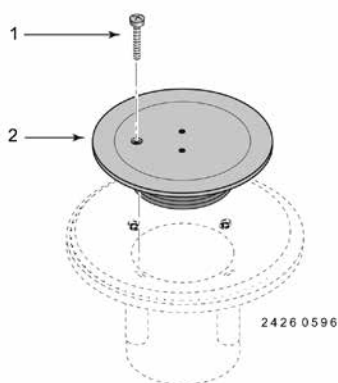
500135



CALIFORNIA PROPOSITION 65 WARNING

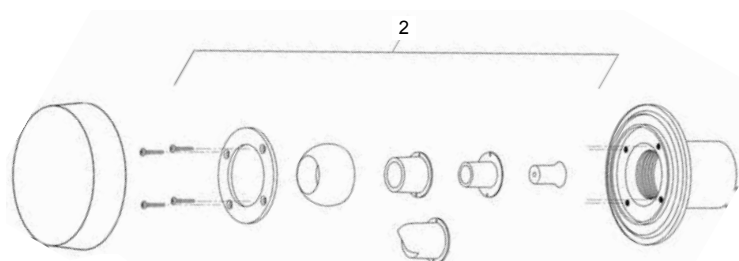
⚠ **WARNING:** Cancer and Reproductive Harm.
 ⚠ **AVERTISSEMENT:** Peut Causer le Cancer et des Dommages au Système Reproducteur.
 ⚠ **ADVERTENCIA:** Cáncer y Daño Reproductivo.
www.p65warnings.ca.gov

ADJUSTABLE FLOOR INLET FITTING



Item	Part No.	Description	Qty	US List	Can. List
FLOOR INLET RETURN FITTING					
1	37207-0430	Screw, No. 8 x 1 in., SS	1	5.48	6.58
2	08417-0005	Cover plate, white ¹	1	41.28	49.60
2	08417-0005B	Cover plate, gray ¹	1	41.28	49.60
2	08417-0005C	Cover plate, black ¹	1	41.28	49.60

¹ To be used only as floor inlet fitting(s).



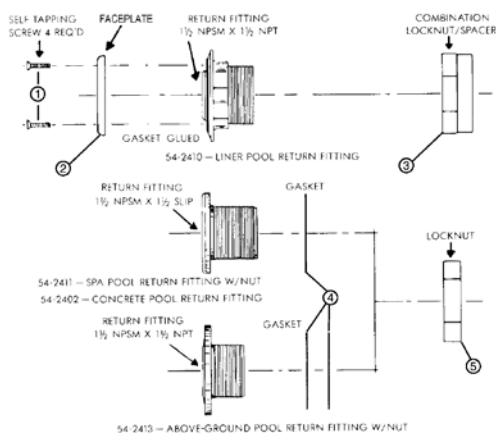
POOL INLETS

CALIFORNIA PROPOSITION 65 WARNING
 ⚠️ **WARNING:** Cancer and Reproductive Harm.
 ⚠️ **AVERTISSEMENT:** Peut Causer le Cancer et des Dommages au Système Reproducteur.
 ⚠️ **ADVERTENCIA:** Cáncer y Daño Reproductivo.
www.p65warnings.ca.gov P650017A

Item	Part No.	Description	Qty.	US List	Can. List
EYEBALL INLETS					
1	08429-0014	Body, 08429-0000, 1-1/2 in. inlet, white	1	CALL	CALL
1	08428-0014B	Body, 08428-0100, 1-1/4 in. inlet, gray	1	CALL	CALL
2	08428-0001	Inlet Eyeball Kit, white, includes: Screw, No. 8, 32 x 1/2 in.; Face plate; Ball; nozzle - 3/4 in.; Right angle nozzle; Nozzle - 1/2 in.; Nozzle - 3/16 in.	1	CALL	CALL
2	08428-0001B	Inlet Eyeball Kit, gray, includes: Screw, No. 8, 32 x 1/2 in.; Face plate; Ball; nozzle - 3/4 in.; Right angle nozzle; Nozzle - 1/2 in.; Nozzle - 3/16 in.	1	53.07	63.77
NOT SHOWN					
	08428-0125	Eyeball inlet kit	1	31.18	37.47

Product on page 337.

WALL FITTINGS

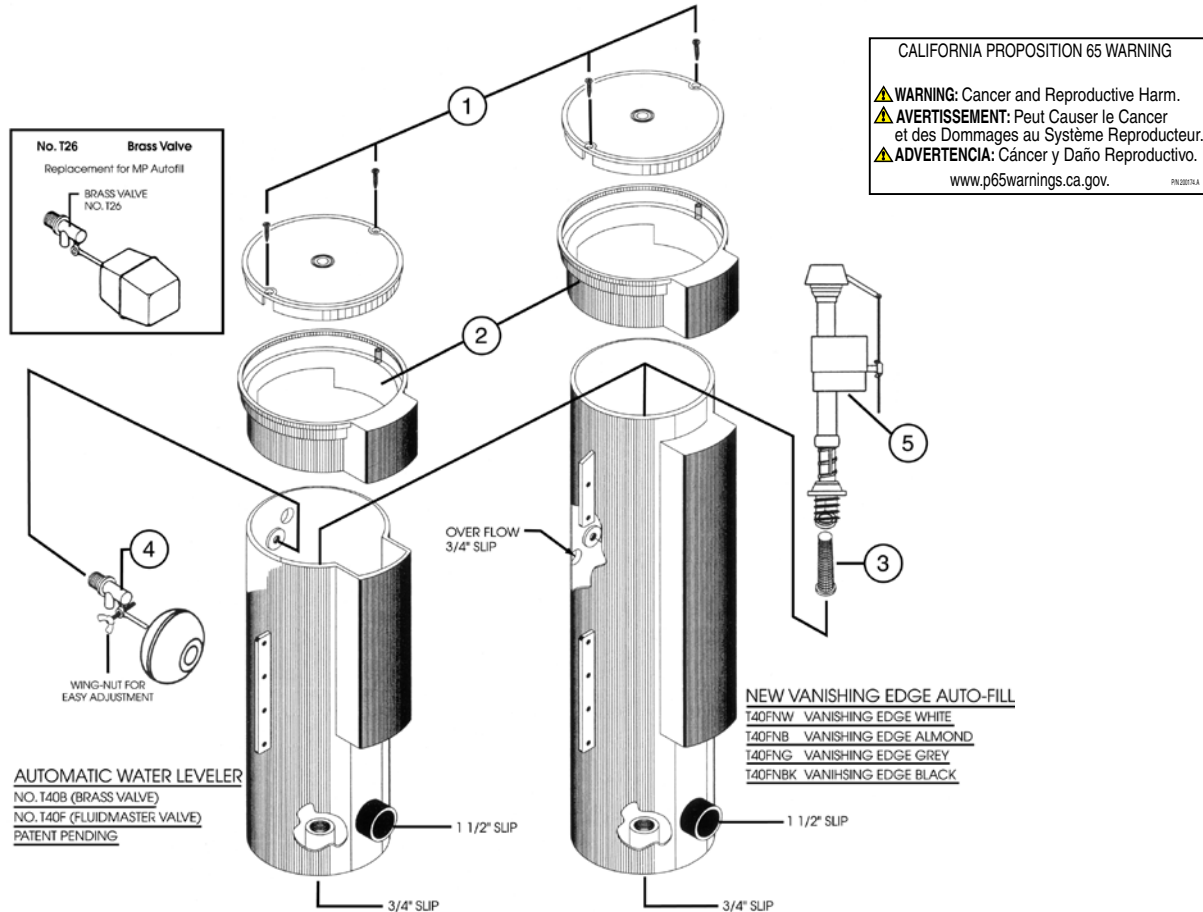


Item	Part No.	Description	US List	Can. List
WALL FITTINGS				
1	552472	Screw, No.12 x 1 in. flat phillips, 4 req.	CALL	CALL
2	545100	Face plate, white for 542410 / 86205100	2.02	2.43
2	545101	Face plate, black for 542420 / 86205101	2.02	2.43
2	545103	Face plate, gray for 86205103	2.02	2.43
4	552496	Cork gasket	1.57	1.89
4	552406	Gasket, 2 req.	2.03	2.44
5	154412	Locknut	14.72	17.69

Product on page 337.

AUTOMATIC WATER FILLERS

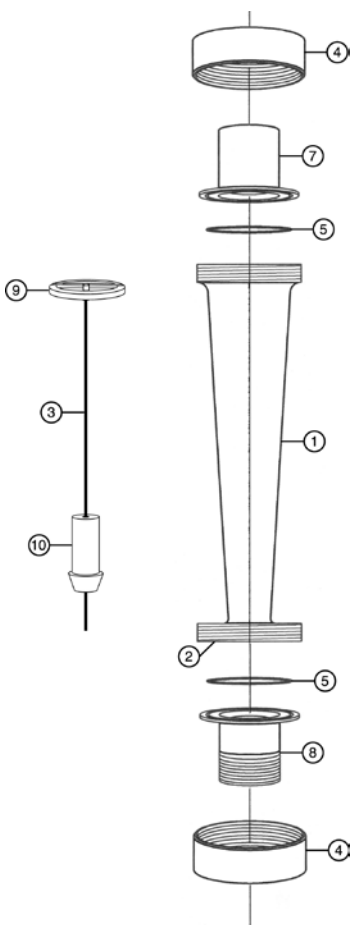
REPLACEMENT PARTS



Item	Part No.	Description	US List	Can. List
AUTOMATIC WATER FILLERS				
1	T10W	AutoFill lid, with screws, white	26.68	32.06
1	T10B	AutoFill lid, with screws, almond	26.68	32.06
1	T10G	AutoFill lid, with screws, gray	26.68	32.06
1	T10BK	AutoFill lid, with screws, black	26.68	32.06
	T10DG	Autofill lid with screws, dark gray	26.67	32.05
2	T16W	AutoFill top ring, white	29.24	35.13
2	T16B	AutoFill top ring, almond	29.24	35.13
2	T16G	AutoFill top ring, gray	29.24	35.13
2	T16BK	AutoFill top ring, black	29.24	35.13
	T16DG	Autofill top ring, dark gray	29.24	35.13
3	T24	Debris screen w/ washer	12.52	15.04
4	T26	Brass valve	80.14	96.30
4	261058	Plastic valve	55.02	66.11
5	T29	Fluidmaster® valve	48.58	58.37
NOT SHOWN				
	370006	T-40 FW Parts Bag	103.34	124.17
	T6EXT	6 in. extension for Fluidmaster valve	CALL	CALL

FLOWMETERS MADE FOR LIQUID APPLICATIONS

REPLACEMENT PARTS



Item	Part No.	Description	US List	Can. List
FLOWMETERS				
1	FS1	Flowmeter body (1–10 GPM)	169.86	204.10
1	FS2	Flowmeter body (2–16 GPM)	169.86	204.10
1	FS3	Flowmeter body (1/2–5 GPM)	169.86	204.10
1	FL2	Flowmeter body (2–40 GPM)	43.09	51.78
2	FSBG	Bottom guide support, small	21.55	25.89
3	FSGW	Guide wire, small	42.14	50.64
3	FLGW	Guide wire, large	16.16	19.42
4	FSKN	Knurled nut, small	69.18	83.13
4	FLKN	Knurled nut, large	177.81	213.66
5	FSO	O-ring, small	4.42	5.31
5	FLO	O-ring, large	4.07	4.89
7	FSSE	3/4 in. Sweat end, small	63.80	76.66
7	FLSE	1 in. Sweat end, large	136.35	163.84
8	FSNE	Nylon end, small	18.73	22.51
8	FSTE	Threaded end 1 in., small	69.61	83.64
8	FLTE1	Threaded end 1 in., large	112.77	135.50
8	FLTE2	Threaded end 1-1/2 in., large	161.61	194.19
9	FSTG	Top guide support, small	21.55	25.89
9	FLTG	Top guide support, large	32.32	38.84
NOT SHOWN				
	F2	Float (1-10 GPM)	53.32	64.07
	F3	Float (2-16 GPM)	53.32	64.07
	F4	Float (.5-5 GPM)	57.53	69.13
	F5	Float (2-40 GPM)	43.09	51.78
	F6	Float (8-75 GPM)	104.86	126.00
	F7	Float (15-100 GPM)	182.61	219.42

CALIFORNIA PROPOSITION 65 WARNING
 ⚠️ **WARNING:** Cancer and Reproductive Harm.
 ⚠️ **AVERTISSEMENT:** Peut Causer le Cancer et des Dommages au Système Reproducteur.
 ⚠️ **ADVERTENCIA:** Cáncer y Daño Reproductivo.
www.p65warnings.ca.gov PH.202174

