



293 Wright St., Delavan, WI 53115

Phone: 1-800-468-7867

Fax: 1-800-390-5351

Web Site: SimerPump.com

OWNER'S MANUAL

Pre-Charged Pressure Tanks

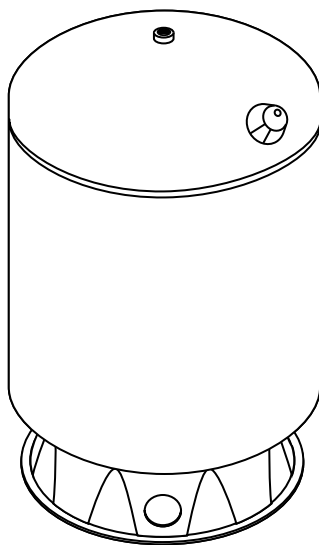
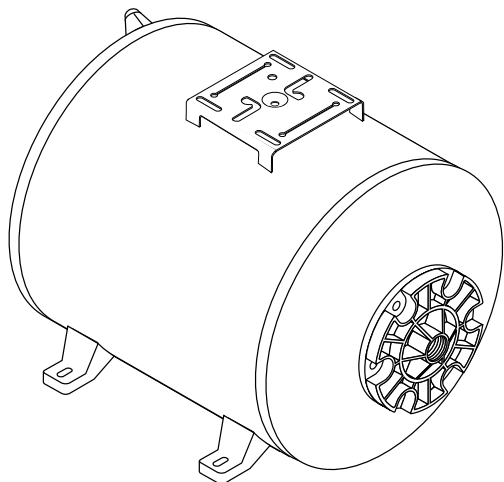
NOTICE D'UTILISATION

Réservoirs sous pression préchargés

MANUAL DEL USUARIO

Tanques de presión precargada

Model Discontinued
For Reference Only



HT7, HT20, VT14, VT19, VT20, VT36 VT52, VT96, VT99

Installation/Operation/Parts

For further operating,
installation, or maintenance
assistance:

Call 1-800-468-7867

English..... Pages 2-8

Installation/Fonctionnement/Pièces

Pour plus de renseignements
concernant l'utilisation,
l'installation ou l'entretien,

Composer le 1 (800) 468-7867

Français Pages 9-15

Instalación/Operación/Piezas

Para mayor información sobre
el funcionamiento, instalación o
mantenimiento de la bomba:

Llame al 1-800-468-7867

Español.....Paginas 16-22

Important Safety Instructions

SAVE THESE INSTRUCTIONS - This manual contains important instructions that should be followed during installation, operation, and maintenance of the product.

⚠ This is the safety alert symbol. When you see this symbol on your pump or in this manual, look for one of the following signal words and be alert to the potential for personal injury!

⚠ DANGER indicates a hazard which, if not avoided, *will* result in death or serious injury.

⚠ WARNING indicates a hazard which, if not avoided, *could* result in death or serious injury.

⚠ CAUTION indicates a hazard which, if not avoided, *could* result in minor or moderate injury.

NOTICE addresses practices not related to personal injury.

Carefully read and follow all safety instructions in this manual and on pump.

Keep safety labels in good condition. Replace missing or damaged safety labels.

California Proposition 65 Warning

⚠ WARNING This product contains chemicals known to the State of California to cause cancer or birth defects or other reproductive harm.

1. Read this manual carefully. Failure to follow these Instructions could cause serious bodily injury and/or property damage.
2. Consult installer or licensed plumber for correct relief valve. Install system according to local codes.
3. Always test water from well for purity before using. Check local health department for testing procedure.
4. Before installing or servicing tank, BE SURE pump electric power source is disconnected. Release all water pressure before working on tank or system. Release air pressure before removing cover flange.
5. Install relief valve in pump supply line to tank, as close to tank as possible.
6. BE SURE pump electrical circuit is properly grounded.
7. Remove bleeder orifices, air volume controls or other air charging devices in existing system.
8. DO NOT USE tank as a surge suppressor.

⚠ WARNING Risk of explosion. Pump body may explode if used as a booster pump unless relief valve capable of passing full pump flow at 75 PSI is installed. Do not ground to a gas supply line. To prevent possible serious or fatal injury and/or damage to equipment, system pressure must be less than 100 pounds per square inch (PSI) (689kPa) under any circumstances. Failure to follow instruction can result in tank blowup. If system discharge pressure can exceed 100 PSI (689kPa), install a relief valve capable of passing the full pump volume at 100 PSI (689kPa).

⚠ WARNING Risk of freezing. Do not allow pump, tank, or piping system to freeze. Freezing can severely damage equipment and may lead to tank explosion and serious injury. Allowing tank to freeze voids tank warranty.

General Information

Tanks listed below are pre-charged, or filled with air at the factory, to 40 pounds per square inch (PSI) (276kPa). When installing tank, set tank pressure according to Chart 1. To do this, bleed air from or add air to tank through valve on top of tank.

NOTICE Always set or check tank pre-charge with NO WATER in tank or water pressure in system. If you have already pumped water before setting or checking pre-charge pressure, turn pump off. Open faucet until there is no more water pressure. Set pre-charge in tank according to Chart 1, then close faucet and turn pump back on. Periodically inspect pump and system components.

NOTICE Replace and tighten air valve cap after pressure is adjusted correctly. Failure to replace air cap may allow loss of air pressure and lead to tank waterlogging and bladder failure.

Chart 1

Pressure Switch Setting - PSI	Tank Precharge - PSI
20-40 (138-276 kPa)	18 (124 kPa)
30-50 (207-345 kPa)	28 (193 kPa)
40-60 (276-414 kPa)	38 (262 kPa)

(The first number on the pressure switch is the pump on setting; the second number is the pump off setting.)

Pre-charged storage tanks can be connected together to increase the drawdown. Drawdown is the actual amount of usable water available from when the tank is full to when the pump turns on. Installing two tanks of same size will double the drawdown supply, three tanks will triple the drawdown supply, (Figure 1). Locate pressure switch as shown. Tank and pressure switch cannot be more than 10' (3M) apart.

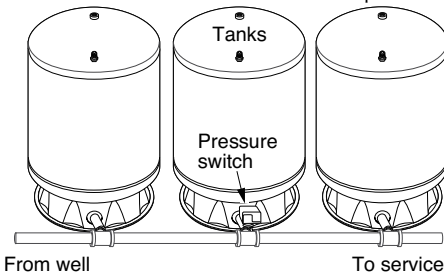


Figure 1

NOTICE Tank capacity is different than drawdown. Tank capacity is the actual physical volume of the sheet metal that makes up the tank.

Operating Cycle

- Step 1. Tank nearly empty – air expands filling area above bladder (Figure 2A).
- Step 2. Water enters tank – air is compressed above bladder as it fills with water (Figure 2B).
- Step 3. Pump-up cycle completed – air compressed to OFF setting of pressure switch (Figure 2C).
- Step 4. Water drawn from tank – compressed tank air forces water out of bladder (Figure 2D).
- Step 5. Bladder empty – new cycle ready to begin (Figure 2A).

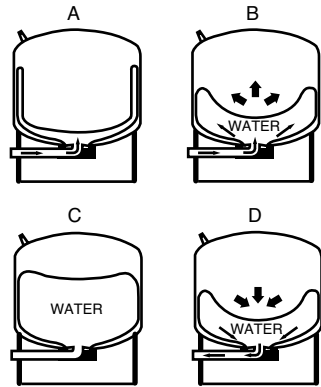


Figure 2

Installation

NOTICE Do not allow pump or any system component to freeze. To do so will void warranty.

Connect discharge pipe from pump to a tee. Connect one side of tee to tank flange and the other side of tee to service. Use plastic or steel pipe as required. To prevent leaks, use PTFE pipe thread sealant tape on male threads of all threaded connections to tank.

NOTICE To be sure pipe joints are not cross-threaded and all threads are clean, make connections by hand (without sealer) first. When threads are clean, remove pipe, add PTFE pipe thread sealant tape, and remake connection. Tighten by hand first; finish with pipe wrench.

When installing an elbow or nipple in the plastic tank flange, tighten it hand tight plus 1-1/2 turns with a pipe wrench. **DO NOT OVERTIGHTEN!**

Standard Tank Replacement

When replacing standard tank in a water system with pre-charged tank, no bleeder orifices or Air Volume Control (AVC) are required. When sizing a pre-charged tank to replace a standard tank, the tanks should have equivalent drawdowns.

Testing For Bladder Leakage

- Step 1. Disconnect power to pump.
- Step 2 Drain water from tank bladder by opening faucet closest to tank.
- Step 3. Remove valve cap and release all pressure by depressing valve core. When air stops coming from valve, remove valve core to release remaining pressure.
- Step 4. Disconnect piping from elbow on tank cover flange.
- Step 5. Carefully turn tank upside down or lay on its side.

NOTICE Retained water in tank may cause sudden weight shift when lowering. Support tank so it cannot fall when being lowered or inverted.

- Step 6. If bladder leaks, water will run out of valve. If so, replace bladder.
- Step 7. If replacing bladder, be sure air and water pressures are relieved before removing cover flange. When reassembling cover flange, do not tighten nuts or mounting studs more than 65 in-lbs.

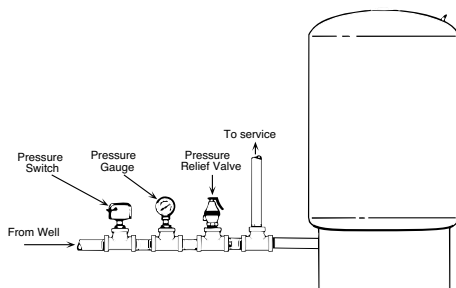


Figure 5 - Typical installation with vertical pre-charge tank and submersible well pumps

NOTICE When using metal pipe with plastic fittings use only pipe thread sealant tape on male threads.

NOTICE Most standard tanks have separate inlet and outlet ports. Pre-charge tanks have one port serving both functions. When replacing standard tank with a pre-charge tank, run pipe from pump into a tee as shown. 2nd leg of tee goes to tank elbow; 3rd leg goes to existing service.

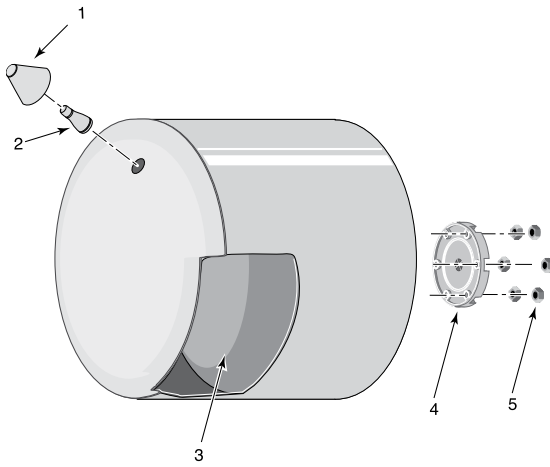
Product Information – Pre-Charged Tanks

Drawdown - Gals(L)			
Catalog Number	20-40 PSI (138-276 kPa)	30-50 PSI (207-345 kPa)	40-60 PSI (276-414 kPa)
HT7-01	2.2 (8.3)	1.8 (6.8)	1.6 (6.1)
HT20-01	6.9 (26.1)	5.9 (22)	5.0 (18.9)
VT14-04	4.8 (18.2)	4.1 (15.5)	3.6 (13.6)
VT19-02	6.9 (26.1)	5.9 (22)	5.0 (18.9)
VT20-04	6.9 (26.1)	5.9 (22)	5.0 (18.9)
VT36-04	12.7 (48.1)	10.7 (40.5)	9.3 (35.2)
VT52-04	18.3 (69.3)	15.5 (58.7)	13.4 (50.7)
VT96-04	30.0 (113.6)	26.0 (98.4)	22.0 (83.3)
VT99-02	41.3 (156.3)	35.4 (134.0)	31.0 (117.3)

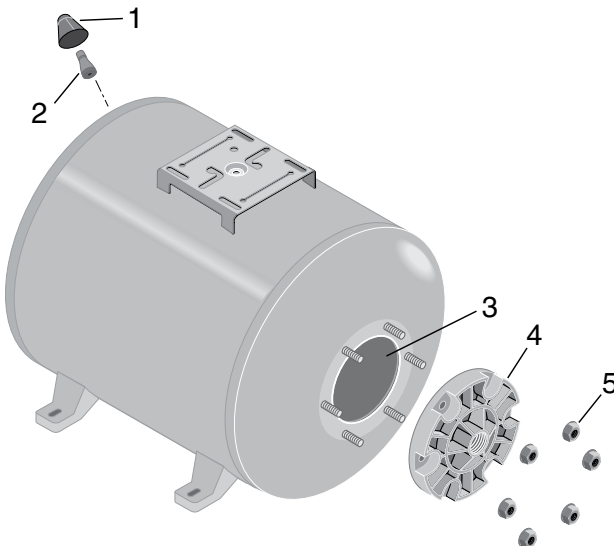
Catalog Number	Maximum Capacity US GALS (L)	Equivalent to Standard Tank US GALS (L)	Tank Diameter (mm)	Overall Height (mm)	Tank Discharge Tapping
HT7-01	6 (23)	15 (57)	12" (305)	16 1/2" (419)	.75"
HT20-01	19 (72)	42 (159)	16" (406)	*24-5/8" (625)	1"
VT14-04	14 (53)	30 (114)	16" (406)	23" (584)	1"
VT19-02	19 (72)	42 (159)	20" (508)	22-3/4" (578)	1"
VT20-04	19 (72)	42 (159)	16" (406)	30-1/8" (765)	1"
VT36-04	35 (132)	82 (310)	20" (508)	36 1/4" (921)	1"
VT52-04	50 (189)	120 (454)	24" (610)	34 3/4" (883)	1.25"
VT96-04	85 (322)	220 (833)	24" (610)	54" (1372)	1.25"
VT99-02	119 (450)	320 (1211)	24" (610)	68" (1727)	1.25"

* Overall length; this model is a horizontal tank.

For parts or assistance, call Simer Customer Service at 1-800-468-7867



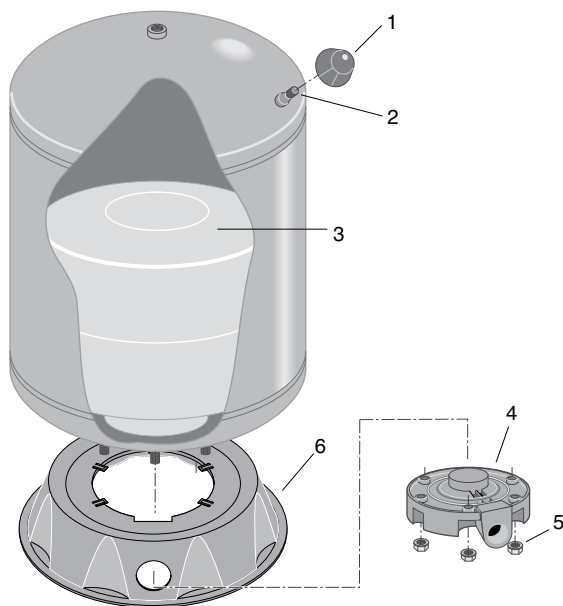
**Model
HT7-03**



Ref.	Description	Qty.	HT7-03	HT20-01
1	Air Valve Cover	1	U31-380P	U31-380P
2	Air Valve with Cap	1	U212-160	U212-160
3	Water Cell - Vinyl	1	U20-7	U20-13
4	Cover Flange	1	U31-442P	U31-446P
5	Flanged Nut - 5/16-18 Hex†	6	U36-202BT	U36-202BT

† Standard hardware items, may be purchased locally.

For parts or assistance, call Flotec Customer Service at 800-365-6832



Models
VT14-04
VT19-02
VT20-04
VT36-04
VT52-04
VT96-04
VT99-02

Ref.	Description	Qty.	VT14-04	VT19-02	VT20-04
1	Air Valve Cover	1	U31-380P	U31-380P	U31-380P
2	Air Valve with Cap	1	U212-160	U212-160	U212-160
3	Water Cell - Vinyl	1	U20-13	U20-08	U20-13
4	Cover Flange	1	U31-446P	U31-446P	U31-446P
5	Flanged Nut 5/16-18 Hex†	6	U36-202BT	U36-202BT	U36-202BT
6	Base	1	U31-505P	U31-505P	U31-505P
*	Pump Mounting Bracket	1	TNKBR-P2	TNKBR-P2	TNKBR-P2

Ref.	Description	Qty.	VT36-04	VT52-04	VT96-04
1	Air Valve Cover	1	U31-380P	U31-380P	U31-380P
2	Air Valve with Cap	1	U212-160	U212-160	U212-160
3	Water Cell - Vinyl	1	U20-9	U20-10	U20-14
4	Cover Flange	1	U31-446P	U31-447P	U31-447P
5	Flanged Nut 5/16-18 Hex†	6	U36-202BT	U36-202BT	U36-202BT
6	Base	1	U31-505P	U31-512P	U31-512P
*	Pump Mounting Bracket	1	TNKBR-P2	TNKBR-P2	TNKBR-P2

Ref.	Description	Qty.	VT99-02
1	Air Valve Cover	1	U31-380P
2	Air Valve with Cap	1	U212-160
3	Water Cell - Vinyl	1	U20-20
4	Cover Flange	1	U31-462P
5	Flanged Nut 5/16-18 Hex†	6	U36-202BT
6	Base	1	U31-512P
*	Pump Mounting Bracket	1	TNKBR-P2

† Standard hardware items, may be purchased locally.

* Not illustrated, sold separately.

Retain Original Receipt For Warranty Eligibility

Limited Warranty

This Limited Warranty is effective June 1, 2011 and replaces all undated warranties and warranties dated before June 1, 2011. SIMER warrants to the original consumer purchaser ("Purchaser" or "You") that its products are free from defects in material and workmanship for a period of twelve (12) months from the date of the original consumer purchase. If, within twelve (12) months from the original consumer purchase, any such product shall prove to be defective, it shall be repaired or replaced at SIMER's option, subject to the terms and conditions set forth herein. Note that this limited warranty applies to manufacturing defects only and not to ordinary wear and tear. All mechanical devices need periodic parts and service to perform well. This limited warranty does not cover repair when normal use has exhausted the life of a part or the equipment.

The original purchase receipt and product warranty information label are required to determine warranty eligibility. Eligibility is based on purchase date of original product – not the date of replacement under warranty. The warranty is limited to repair or replacement of original purchased product only, not replacement product (i.e. one warranty replacement allowed per purchase). Purchaser pays all removal, installation, labor, shipping, and incidental charges.

For parts or troubleshooting assistance, DO NOT return product to your retail store. Contact SIMER Customer Service at 800-468-7867.

Claims made under this warranty shall be made by returning the product (except sewage pumps, see below) to the retail outlet where it was purchased or to the factory immediately after the discovery of any alleged defect. SIMER will subsequently take corrective action as promptly as reasonably possible. No requests for service will be accepted if received more than 30 days after the warranty expires. Warranty is not transferable and does not apply to products used in commercial/rental applications.

Sewage Pumps

DO NOT return a sewage pump (that has been installed) to your retail store. Contact SIMER Customer Service. Sewage pumps that have seen service and been removed carry a contamination hazard with them.

If your sewage pump has failed:

- Wear rubber gloves when handling the pump;
- For warranty purposes, return the pump's cord tag and original receipt of purchase to the retail store;
- Dispose of the pump according to local disposal ordinances.

Exceptions to the Twelve (12) Month Limited Warranty

Product	Warranty Period
BW85P, M40P	90 days
2115, 2300, 2310, 2330, 2883, 2886, 2943, 2955, 2956, 2957, A5300, A5500	2 Years
4" Submersible Well Pumps, 2945, 2958, 2975PC, 3075SS, 3963, 3984, 3995, 4185, 4185P, 4186, 4188, 4190	3 Years
Pre-Charged Pressure Tanks, 3985, 3986, 3988, 3989, 5910, 5950, 5955, 5965, 5975	5 Years

General Terms and Conditions; Limitation of Remedies

You must pay all labor and shipping charges necessary to replace product covered by this warranty. This warranty does not apply to the following: (1) acts of God; (2) products which, in SIMER's sole judgement, have been subject to negligence, abuse, accident, misapplication, tampering, or alteration; (3) failures due to improper installation, operation, maintenance or storage; (4) atypical or unapproved application, use or service; (5) failures caused by corrosion, rust or other foreign materials in the system, or operation at pressures in excess of recommended maximums.

This warranty sets forth SIMER's sole obligation and purchaser's exclusive remedy for defective products.


SIMER SHALL NOT BE LIABLE FOR ANY CONSEQUENTIAL, INCIDENTAL, OR CONTINGENT DAMAGES WHATSOEVER. THE FOREGOING WARRANTIES ARE EXCLUSIVE AND IN LIEU OF ALL OTHER EXPRESS AND IMPLIED WARRANTIES, INCLUDING BUT NOT LIMITED TO THE IMPLIED WARRANTIES OF MERCHANTABILITY AND FITNESS FOR A PARTICULAR PURPOSE. THE FOREGOING WARRANTIES SHALL NOT EXTEND BEYOND THE DURATION PROVIDED HEREIN.

Some states do not allow the exclusion or limitation of incidental or consequential damages or limitations on how long an implied warranty lasts, so the above limitations or exclusions may not apply to You. This warranty gives You specific legal rights and You may also have other rights which vary from state to state.


SIMER • 293 Wright Street • Delavan, WI U.S.A. 53115
Phone: 800-468-7867 • Fax: 800-390-5351 • www.simerpump.com

Directives de sécurité importantes

Conservez ces directives – Ce manuel renferme d'importantes directives qu'il faut suivre durant l'installation et l'entretien de la pompe.

Ce symbole  indique qu'il faut être prudent. Lorsque ce symbole apparaît sur la pompe ou dans cette Notice, rechercher une des mises en garde qui suivent, car elles indiquent un potentiel de blessures corporelles!

Le mot signal  **DANGER** indique un danger qui, s'il n'est pas évité, *causera* la mort ou des blessures graves.

Le mot signal  **AVERTISSEMENT** indique un risque qui, s'il n'est pas évité, *pourrait causer* la mort ou des blessures graves.


Le mot signal  **ATTENTION** indique un risque qui, s'il n'est pas évité, *pourrait causer* des blessures mineures ou modérées.

Le mot **AVIS** est utilisé pour les pratiques qui ne sont pas reliées aux blessures personnelles.


Lire attentivement toutes les consignes de sécurité contenues dans cette Notice ou collées sur la pompe.


Garder les autocollants de sécurité en bon état; les remplacer s'ils manquent ou s'ils ont été endommagés.

Avertissement lié à la Proposition 65 de la Californie

 **AVERTISSEMENT** Ce produit et les accessoires connexes contiennent des produits chimiques reconnus dans l'État de la Californie comme pouvant provoquer des cancers, des anomalies congénitales ou d'autres dangers relatifs à la reproduction.

1. Lire ce manuel avec soin. Le non-respect des instructions peut entraîner des blessures corporelles graves et/ou des dommages matériels.
2. Consulter l'installateur ou un plombier agréé pour sélectionner le clapet de surpression qui convient. Procéder à l'installation en suivant les réglementations des codes locaux.
3. Toujours tester la pureté de l'eau du puits avant son utilisation. Se renseigner auprès du service d'hygiène local pour les procédures de contrôle à suivre.
4. Avant d'installer et d'intervenir sur le réservoir, S'ASSURER que la source d'alimentation de la pompe est bien débranchée. Libérer toute la pression d'eau avant d'intervenir sur le réservoir ou sur le système. Libérer toute la pression d'air avant de déposer la couronne du couvercle.
5. Poser le clapet de surpression dans la canalisation de la pompe qui mène au réservoir, en installant le clapet aussi près du réservoir que possible.
6. S'ASSURER que le circuit électrique de la pompe est correctement mis à la terre.
7. Supprimer les prises d'air, les contrôleurs de volume d'air, et tous les dispositifs de gonflage existant dans le système.
8. NE PAS utiliser le réservoirs en tant que suppresseur de pompage.

 **AVERTISSEMENT** **Risque d'explosion.** Le corps de la pompe peut exploser si la pompe est utilisée en tant que pompe de surpression, à moins qu'une soupape de sûreté pouvant laisser passer le débit maximum de la pompe à 75 lb/po² soit posée. Pour éviter les blessures graves ou mortelles possibles, et/ou l'endommagement du matériel, il faut maintenir la pression du système à moins de 689 kilopascals (kPa) (100 PSI) en toutes circonstances. Le non-respect de cet avertissement peut entraîner l'explosion du réservoir. Si la pression de refoulement du système peut dépasser 689 kPa (100 PSI), installer un clapet de surpression capable d'assurer le plein débit de la pompe à 689 kPa (100 PSI).

 **AVERTISSEMENT** **Risque du gel.** Ne pas soumettre au gel la pompe, le réservoir de la pompe, ou la canalisation. Le gel peut endommager gravement l'équipement, et risque d'entraîner l'explosion du réservoir et de provoquer des blessures graves. L'exposition du réservoir au gel annule les termes de sa garantie.

Renseignements généraux

Les réservoirs dont il est fait mention ci-dessous sont des réservoirs préchargés ou ayant été remplis d'air à l'usine à 40 livres par pouce carré (lb/po²) (276 kPa). Installer le réservoir sous pression conformément au Tableau 1. Pour cela, purger de l'air du réservoir ou en ajouter par la valve qui se trouve en haut du réservoir.

AVIS Toujours régler ou vérifier un réservoir préchargé lorsqu'il ne contient PAS D'EAU ou lorsque le système d'eau n'est pas sous pression. Si de l'eau a déjà été pompée avant de régler ou de vérifier la pression de précharge, arrêter la pompe. Ouvrir un robinet jusqu'à ce qu'il n'y ait plus de pression dans le système d'eau. Régler la précharge du réservoir conformément au Tableau 1, puis fermer le robinet et redémarrer la pompe.

AVIS Après avoir corrigé la pression, reposer et serrer le bouchon de la valve d'air. Ne pas reposer le bouchon de la valve peut causer une perte de pression d'air et mener à une saturation du réservoir et à une panne du diaphragme.

Tableau 1

Réglage du pressostat ib-po ²	Précharge du réservoir ib-po ²
20-40 (138-276 kPa)	18 (124 kPa)
30-50 (207-345 kPa)	28 (193 kPa)
40-60 (276-414 kPa)	38 (262 kPa)

(Le premier chiffre de réglage du manostat indique la pression de démarrage de la pompe; le deuxième chiffre indique la pression d'arrêt de la pompe.)

Plusieurs réservoirs sous pression préchargés peuvent être branchés ensemble pour augmenter la quantité d'eau pouvant être soutirée. La quantité d'eau pouvant être soutirée est la quantité réelle d'eau disponible à partir du moment où le réservoir est plein jusqu'au moment où la pompe se met en marche. Deux réservoirs de même contenance doubleront la quantité d'eau pouvant être soutirée, trois réservoirs tripleront la quantité d'eau pouvant être soutirée, et ainsi de suite (voir la Figure 1). Positionner le manostat comme il est illustré. Le réservoir et le manostat ne peuvent pas être installés à plus de 10 pieds (3 mètres) l'un de l'autre.

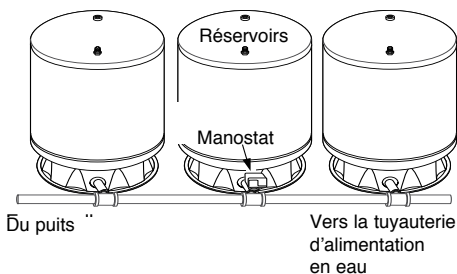


Figure 1

AVIS La capacité du réservoir n'est pas la quantité d'eau pouvant être soutirée. La capacité du réservoir est le volume physique réel de la tôle qui compose le réservoir.

Cycles De Fonctionnement

- 1° Le réservoir est presque vide – l'air remplit la partie qui se trouve au-dessus du diaphragme (Figure 2A).
- 2° L'eau commence à remplir le réservoir – au fur et à mesure que le réservoir se remplit d'eau, l'air est comprimé au-dessus du diaphragme (Figure 2B).
- 3° Le cycle de pompage est terminé – l'air est comprimé jusqu'au réglage ARR T du manostat (Figure 2C).
- 4° L'eau est soutirée du réservoir – l'air comprimé chasse l'eau du diaphragme (Figure 2D).
- 5° Le diaphragme est complètement vide – un nouveau cycle recommence (Figure 2A).

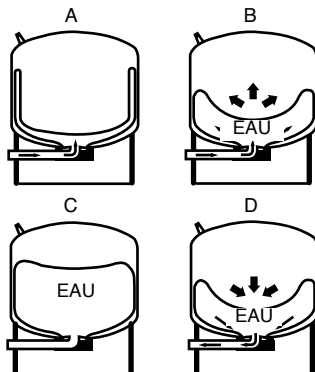


Figure 2

Installation

Brancher le tuyau de refoulement de la pompe sur un té. Brancher un côté du té sur la bride du réservoir et l'autre côté du té sur le service. Utiliser un tuyau en plastique ou en acier, selon le besoin. Pour empêcher toute fuite, utiliser du ruban d'étanchéité en PTFE pour filetage sur les filets mâles de tous les raccords filetés à effectuer sur le réservoir.

AVIS Pour s'assurer de ne pas endommager les filets des raccords et que tous les filets sont propres, visser tout d'abord les raccords à la main (sans produit d'étanchéité). Lorsque les filets seront propres, débrancher les tuyaux, ajouter du ruban d'étanchéité en PTFE pour filetage, puis rebrancher les tuyaux. Les serrer tout d'abord à la main, puis terminer le serrage avec une clé à tuyau. Pour installer un coude ou un mamelon dans le bride en plastique du réservoir, le serrer tout d'abord à la main, puis le serrer 1-1/2 tour avec une clé à tuyau. **NE PAS TROP SERRER!**

Remplacement d'un réservoir standard

Lorsque l'on remplace le réservoir standard d'un système d'eau par un réservoir préchargé, aucun orifice de purge et aucun régulateur de volume d'air n'est requis. Lorsque l'on détermine la taille d'un réservoir préchargé pour remplacer un réservoir standard, la quantité de soutirage d'eau des deux réservoirs doit être la même. Par exemple, la quantité de soutirage d'eau du réservoir préchargé modèle FP7110T est de 5,8 gallons (22 litres), ce qui correspond à un réservoir standard de 42 gallons ayant une capacité de soutirage d'eau de 4,3 gallons (16,3 litres).

⚠ AVERTISSEMENT Risque de secousses électriques et d'explosion. Avant d'intervenir sur la pompe, le réservoir et la tuyauterie, couper le courant parvenant à la pompe et purger toute la pression du système.

Dans le cas d'une installation à pompe à éjecteur, débrancher le tube du régulateur de volume d'air de l'orifice du corps de la pompe ou du corps de l'éjecteur, puis boucher l'orifice (voir la Figure 3). Le bouchon est déjà posé sur les pompes neuves.

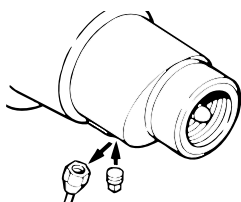


Figure 3 - Boucher l'orifice du régulateur de volume d'air lorsque l'on installe un réservoir préchargé sur une pompe existante. Le bouchon est installé sur les pompes neuves.

AVIS Lorsque l'on intervient sur la pompe submersible d'un puits, toujours s'assurer que l'élingue est solidement accrochée sur la pompe et ancrée en toute sécurité sur la tête du puits. Ne pas laisser tomber la pompe dans le puits!

Prises d'air

AVIS Dans le cas des installations à pompe submersible, il se peut que le tuyau de refoulement vertical comporte un ou plusieurs orifices de purge. Ils devront donc être déposés et les téés devront être bouchés si un réservoir sous pression est installé dans le système. Pour cela, relever la pompe et le tuyau de refoulement suffisamment hauts de façon à amener les orifices de purge au-dessus du puits. Déposer les orifices de purge des téés et les remplacer par des bouchons (voir la Figure 4). Les orifices de purge peuvent être de différents diamètres. Il faut donc, pour cette raison, toujours avoir une paire de bouchons de 1/2 pouce, 3/4 de pouce et 1 pouce disponibles. Reposer la pompe et rebrancher le tuyau de refoulement.

Réglage de la précharge du réservoir

Dans les régions où la température reste élevée longtemps, la pression des réservoirs préchargés peut augmenter. Dans ce cas, le soutirage du réservoir (la quantité d'eau disponible par cycle) risque de diminuer. Si cela devait se produire, régler la pression de précharge conformément au Tableau 1.

Chasser tout l'air des tuyauteries du système et de la partie réservoir d'eau du réservoir préchargé. Ceci est obligatoire dans le cas : d'installations neuves, de pompes devant être réamorçées et si la pompe a été démontée pour être réparée. Pour procéder à cette opération :

- 1° Ouvrir les robinets qui se trouvent les plus loin du réservoir et démarrer la pompe.
- 2° Faire fonctionner la pompe jusqu'à ce que les jaillissements cessent et qu'un jet d'eau continu coule (sans air).

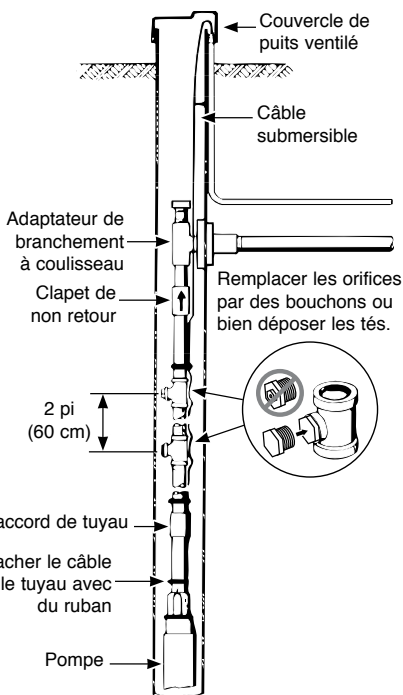


Figure 4

- 3° Ouvrir et fermer de façon répétitive les robinets jusqu'à ce que tout l'air ait été chassé.
- 4° Si le jet d'eau ne coule pas d'une manière régulière, de l'air est peut-être aspiré dans le système; s'assurer s'il n'y a pas de prise d'air dans la tuyauterie du côté aspiration de la pompe.

AVIS Pour empêcher le saturage d'eau, vérifier la charge d'air du réservoir une fois par année.

Pour vérifier la charge d'air dans le réservoir

Si le soutirage de l'eau diminue considérablement, vérifier ce qui suit :

- 1° Pour vérifier la charge d'air dans le réservoir, couper le courant parvenant à la pompe, ouvrir un robinet se trouvant près du réservoir et vider complètement le réservoir.
- 2° Vérifier la pression d'air dans le réservoir en branchant un manomètre pour pneu sur la valve d'air. Voir le Tableau 1 pour connaître les réglages de pression. Au besoin, régler la pression du réservoir plus haute ou plus basse.
- 3° Utiliser du savon ou du liquide détergent pour vérifier s'il y a fuite d'air autour de la valve. Des bulles indiquent une fuite. Au besoin, dissiper la pression d'air et poser un obus de valve neuf (cet obus est le même que celui utilisé sur les pneus sans chambre à air des automobiles).

Contrôle de fuite du diaphragme

- 1° Couper le courant parvenant à la pompe.
- 2° Vider toute l'eau contenue dans le diaphragme du réservoir en ouvrant le robinet se trouvant le plus près du réservoir.
- 3° Déposer le bouchon de la valve et dissiper toute la pression en appuyant sur l'obus de la valve. Lorsque l'air cesse de sortir par la valve, déposer l'obus pour dissiper ce qui reste de pression.
- 4° Débrancher le tuyau du coude de la bride du couvercle du réservoir.
- 5° Prudemment, retourner le réservoir à l'envers ou le coucher sur son côté.

AVIS Toute eau restant dans le réservoir peut causer un déplacement soudain du poids lorsque l'on baisse le réservoir. Supporter le réservoir de façon qu'il ne tombe pas lorsqu'on le baissera ou lorsqu'on le retournera.

6° Si le diaphragme fuit, l'eau s'échappera vers la valve. Dans ce cas, remplacer le diaphragme.

7° Si l'on remplace le diaphragme, s'assurer de dissiper la pression de l'air et la pression de l'eau avant de déposer la bride du couvercle. Lorsque l'on remonte la bride du couvercle, ne pas serrer les écrous ni les tiges filetées de fixation à un couple supérieur à 65 lb-po.

AVIS Lorsque l'on utilise un tuyau métallique avec des raccords en plastique, n'utiliser que du ruban d'étanchéité en PTFE pour filetage sur les filets mâles.

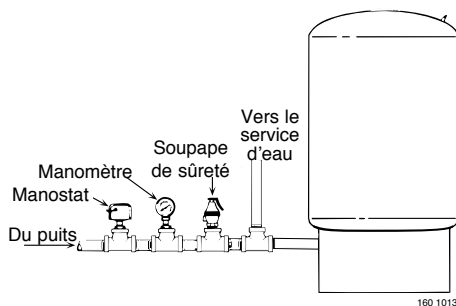


Figure 5 - Installation typique sur un réservoir préchargé vertical et sur une pompe de puits submersible

AVIS La plupart des réservoirs standard comportent des orifices d'arrivée et de sortie séparés. Les réservoirs préchargés comportent un orifice qui sert à ces deux fonctions. Lorsque l'on remplace un réservoir standard par un réservoir préchargé, brancher le tuyau provenant de la pompe dans un té, comme il est illustré. La 2e branche du té servira à brancher un tuyau sur le coude du réservoir et la 3e branche du té servira à brancher la tuyauterie du service d'eau.

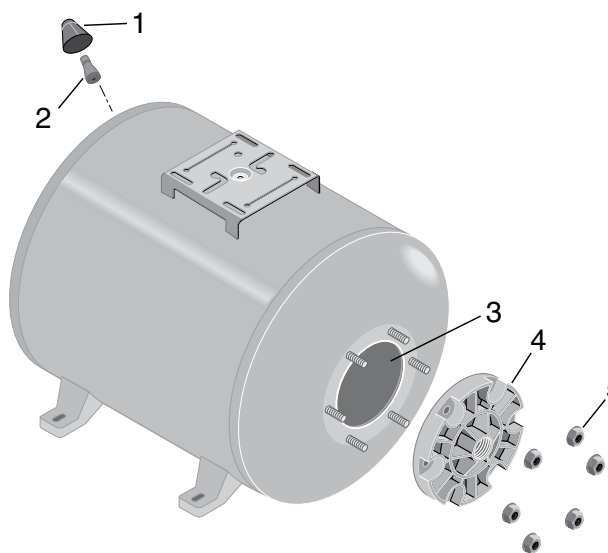
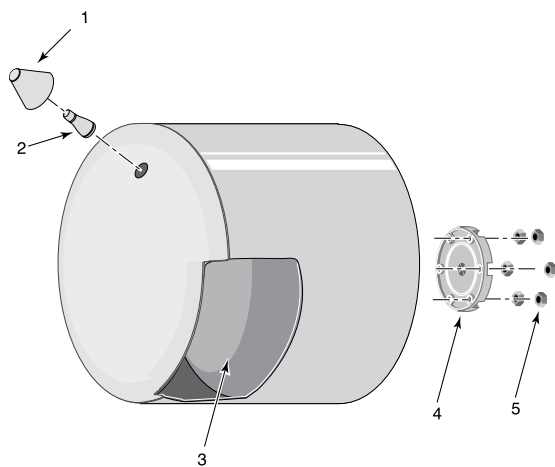
Renseignements sur le produit – Réservoirs préchargés

Qté d'eau soutirée - gal. (L)			
No. de catalogue.	20 et 40lb/po ² (138 et 276kPa)	30 et 50 lb/ po ² (207 et 45kPa)	40 et 50 lb/ po ² (276 et 41kPa)
HT7-01	2,2 (8,3)	1,8 (6,8)	1,6 (6,1)
HT20-01	6,9 (26,1)	5,9 (22)	5,0 (18,9)
VT14-04	4,8 (18,2)	4,1 (15,5)	3,6 (13,6)
VT19-02	6,9 (26,1)	5,9 (22)	5,0 (18,9)
VT20-04	6,9 (26,1)	5,9 (22)	5,0 (18,9)
VT36-04	12,7 (48,1)	10,7 (40,5)	9,3 (35,2)
VT52-04	18,3 (69,3)	15,5 (58,7)	13,4 (50,7)
VT96-04	30,0 (113,6)	26,0 (98,4)	22,0 (83,3)
VT99-02	41,3 (156,3)	35,4 (134,0)	31,0 (117,3)

No. de catalogue.	Capacité maximum en gal. US (L)	Équivalence avec un réservoir standard gal. US (L)	Diamètre du réservoir (mm)	Hauteur hors tout du réservoir (mm)	Taraudage du refolement du réservoir
HT7-01	6 (23)	15 (57)	12 po (305)	16 1/2 po (419)	0,75 po
HT20-01	19 (72)	42 (159)	16 po (406)	*24-5/8 po (625)	1 po
VT14-04	14 (53)	30 (114)	16 po (406)	23 po (584)	1 po
VT19-02	19 (72)	42 (159)	20 po (508)	22-3/4 po (578)	1 po
VT20-04	19 (72)	42 (159)	16 po (406)	30-1/8 po (765)	1 po
VT36-04	35 (132)	82 (310)	20 po (508)	36 1/4 po (921)	1 po
VT52-04	50 (189)	120 (454)	24 po (610)	34 3/4 po (883)	1,25 po
VT96-04	85 (322)	220 (833)	24" (610)	54 po (1372)	1,25 po
VT99-02	119 (450)	320 (1211)	24" (610)	68 po (1727)	1,25 po

* Longueur hors tout; ce modèle est un réservoir horizontal.

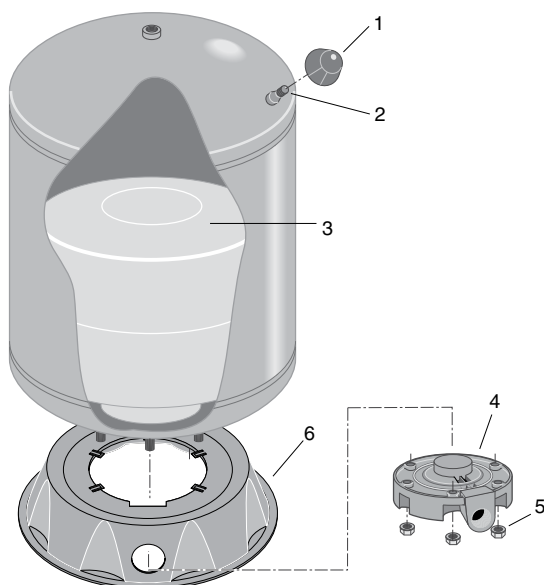
Pour les services des pièces ou d'assistance, appeler le service à la clientèle Simer en composant le | (800) 468-7867



**Modèle
HT7-03**

Ref.	Désignation	Qté.	HT7-01	HT20-01
1	Couvercle de soupape d'air	1	U31-380P	U31-380P
2	Valve avec chapeau	1	U212-160	U212-160
3	Diaphragme en vinyle	1	U20-7	U20-13
4	Bride du couvercle	1	U31-442P	U31-446P
5†	Écrou à bride - 5/16 - 18	6	U36-202BT	U36-202BT

† Articles standard à acheter localement.



Modèles
VT14-04
VT19-02
VT20-04
VT36-04
VT52-04
VT96-04
VT99-02

Ref.	Descripción de le pieza	Qte.	VT14-04	VT19-02	VT20-04
1	Couvercle de soupape d'air	1	U31-380P	U31-380P	U31-380P
2	Valve avec chapeau	1	U212-160	U212-160	U212-160
3	Diaphragme en vinyle	1	U20-13	U20-08	U20-13
4	Bride du couvercle et coude	1	U31-446P	U31-446P	U31-446P
5	Écrou à bride - 5/16 - 18†	6	U36-202BT	U36-202BT	U36-202BT
6	Base	1	U31-505P	U31-505P	U31-505P
*	Pomper le support de montage	1	TNKBR-P2	TNKBR-P2	TNKBR-P2

Ref.	Descripción de le pieza	Qte.	VT36-04	VT52-04	VT96-04
1	Couvercle de soupape d'air	1	U31-380P	U31-380P	U31-380P
2	Valve avec chapeau	1	U212-160	U212-160	U212-160
3	Diaphragme en vinyle	1	U20-9	U20-10	U20-14
4	Bride du couvercle et coude	1	U31-446P	U31-447P	U31-447P
5	Écrou à bride - 5/16 - 18†	6	U36-202BT	U36-202BT	U36-202BT
6	Base	1	U31-505P	U31-512P	U31-512P
*	Pomper le support de montage	1	TNKBR-P2	TNKBR-P2	TNKBR-P2

Ref.	Descripción de le pieza	Qte.	VT99-02
1	Couvercle de soupape d'air	1	U31-380P
2	Valve avec chapeau	1	U212-160
3	Diaphragme en vinyle	1	U20-20
4	Bride du couvercle et coude	1	U31-462P
5	Écrou à bride - 5/16 - 18†	6	U36-202BT
6	Base	1	U31-512P
*	Pomper le support de montage	1	TNKBR-P2

† Articles standard à acheter localement.

* Non illustré, vendu séparément.

Conserver le reçu de caisse original aux fins d'admissibilité à la garantie

Garantie limitée

La présente garantie limitée est entrée en vigueur le 1er juin 2011 et remplace toute garantie non datée ou antérieure à cette date. SIMER garantit à l'acheteur/au consommateur d'origine (l'Acheteur) que ses produits sont exempts de tout vice de matériau et de fabrication. Cette garantie est valable pendant douze (12) mois à partir de la date d'achat d'origine. Si, dans les douze (12) mois suivant la date d'achat d'origine, un produit se révèle défectueux, il doit être réparé ou remplacé, à la discrétion de SIMER, selon les modalités énoncées aux présentes. Il est à noter que la présente garantie limitée s'applique aux défauts de fabrication seulement. Elle ne couvre pas l'usure normale. Tout dispositif mécanique doit faire l'objet d'un entretien périodique pour veiller à son bon fonctionnement. La présente garantie limitée ne couvre pas les réparations attribuables à l'usure normale d'une pièce ou de l'équipement.

Le reçu de caisse original et l'étiquette d'information sur la garantie sont nécessaires pour déterminer l'admissibilité à la garantie. Cette dernière est établie en fonction de la date d'achat de l'article et non de la date de son remplacement sous garantie. La garantie se limite à la réparation ou au remplacement de l'article original seulement et ne couvre pas l'article de rechange (c.-à-d. un article remplacé sous garantie par achat). L'Acheteur assume les frais de retrait, d'installation, de transport et tous les frais accessoires.

Pour obtenir des pièces ou de l'aide technique, NE PAS retourner le produit au détaillant. Contacter le service à la clientèle de SIMER au 800 468-7867.

Toute demande de règlement en vertu de la présente garantie doit être faite en retournant l'article (à l'exception des pompes de puisard; voir la marche à suivre ci-dessous) au magasin où celui-ci a été acheté ou à l'usine dès qu'une défectuosité est soupçonnée. SIMER prendra les mesures correctives nécessaires dans un délai rapide et raisonnable. Aucune demande de réparation ne sera acceptée plus de 30 jours après l'expiration de la garantie.

La garantie ne peut être cédée et ne s'applique pas aux produits utilisés à des fins commerciales ou de location.

Pompes d'eaux d'égout

NE PAS RETOURNER une pompe d'eaux d'égout (qui a été installée) au détaillant. Communiquer avec le service à la clientèle de SIMER. Les pompes d'eaux d'égout qui ont été utilisées, puis retirées présentent un risque de contamination.

En cas de défaillance de la pompe d'eaux d'égout :

- Porter des gants en caoutchouc pour manipuler la pompe.
- À des fins de garantie, retourner l'étiquette figurant sur le cordon de la pompe et l'original du reçu au détaillant.
- Mettre la pompe au rebut conformément à la réglementation locale.

Exceptions à la garantie limitée de douze (12) mois

Produit	Période de garantie
BW85P, M40P	90 jours
2115, 2300, 2310, 2330, 2883, 2886, 2943, 2955, 2956, 2957, A5300, A5500	2 ans
Pompe pour puits submersibles de 4 pouces, 2945, 2958, 2975PC, 3075SS, 3963, 3984, 3995, 4185, 4185P, 4186, 4188, 4190	3 ans
Réservoir préchargé de système d'eau, 3985, 3986, 3988, 3989, 5910, 5950, 5955, 5965, 5975	5 ans

Modalités générales et restriction des recours

L'Acheteur doit payer tous les frais de main d'œuvre et de transport nécessaires au remplacement du produit garanti couvert par cette garantie. Cette garantie ne s'applique pas à ce qui suit : (1) Les catastrophes naturelles; (2) Les produits qui, selon SIMER, ont fait l'objet d'une négligence, d'une utilisation abusive, d'un accident, d'une mauvaise application ou d'une altération; (3) Les défaillances dues à une installation, une utilisation, un entretien ou un entreposage inappropriés; (4) Une application, une utilisation ou une réparation atypique ou non approuvée; (5) Les défaillances causées par la corrosion, la rouille ou d'autres matériaux étrangers au système, ou par une utilisation à une pression supérieure au maximum recommandé.

Cette garantie établit la responsabilité unique de SIMER et le recours exclusif de l'Acheteur en cas de produit défectueux.

SIMER NE POURRA TRE TENUE RESPONSABLE DE TOUT DOMMAGE INDIRECT OU CONSÉCUTIF QUEL QU'IL SOIT.

LA GARANTIE LIMITÉE SUSMENTIONNÉE EST EXCLUSIVE ET REMPLACE TOUTES LES AUTRES GARANTIES EXPRESSES ET TACITES, Y COMPRIS, MAIS SANS S'Y LIMITER, LES GARANTIES DE QUALITÉ MARCHANDE ET D'ADAPTATION À UN USAGE PARTICULIER. LA GARANTIE LIMITÉE SUSMENTIONNÉE NE DOIT PAS ÊTRE PROLONGÉE AU-DELÀ DE LA DURÉE PRÉVUE AUX PRÉSENTES.

Certains États ne permettent pas l'exclusion ou la limitation des dommages indirects ou consécutifs, ni les limitations relatives à la durée des garanties implicites. Par conséquent, il se peut que les limitations ou les exclusions ci-dessus ne s'appliquent pas.

Cette garantie procure des droits juridiques précis à l'Acheteur. Cependant, il est possible de bénéficier d'autres droits, qui varient selon l'État.

SIMER • 293 Wright Street • Delavan, WI U.S.A. 53115

Téléphone : 800 468-7867 • Télécopieur : 800 390-5351 • www.simerpump.com

Instrucciones importantes de seguridad

Guarde estas instrucciones - Este manual contiene instrucciones importantes que se deben seguir durante la instalación y el mantenimiento del bombas de sumidero.

⚠ Este es un símbolo de alerta sobre la seguridad. Cuando vea este símbolo en su bomba o en este manual, busque para ver si hay alguna de las siguientes palabras de señal y esté alerta a la posibilidad de lesiones personales.

⚠ PELIGRO indica un riesgo que, de no evitarse, *provocará* la muerte o lesiones de gravedad.

⚠ ADVERTENCIA indica un riesgo que, de no evitarse, *podría provocar* la muerte o lesiones de gravedad.

⚠ PRECAUCIÓN indica un riesgo que, de no evitarse, *podría provocar* lesiones leves o moderadas.

AVISO hace referencia a una práctica no relacionada con una lesión física.

Lea y siga cuidadosamente todas las instrucciones de seguridad en este manual y en la bomba.

Mantenga las etiquetas de seguridad en buenas condiciones. Reemplace las etiquetas de seguridad faltantes o dañadas.

Advertencia de la Proposición 65 de California

⚠ ADVERTENCIA Este producto y accesorios relacionados contienen sustancias químicas reconocidas en el Estado de California como causantes de cáncer, malformaciones congénitas y otros daños al sistema reproductivo.

1. Lea cuidadosamente este manual. La omisión en el respeto de estas instrucciones puede causar graves daños personales, daños a la propiedad o ambas cosas.
2. Consulte al instalador o al fontanero licenciado acerca de la válvula de alivio correcta. Instale el sistema de conformidad con los códigos locales.

3. Siempre verifique la pureza del agua del pozo antes de utilizarla. Consulte con el departamento de salud local sobre los procedimientos de prueba.
4. Antes de instalar o prestar servicios al tanque **ASEGÚRESE DE QUE** la corriente eléctrica a la bomba haya sido desconectada. Reduzca toda la presión de agua antes de trabajar en el tanque o en el sistema. Reduzca la presión de aire antes de retirar la brida de cubierta.
5. Instale una válvula de alivio en la línea de alimentación de la bomba al tanque, tan cerca del tanque como sea posible.
6. **ASEGÚRESE DE QUE** el circuito eléctrico de la bomba esté puesto adecuadamente a tierra.
7. Retire los accesorios con orificios de purga, los controles automáticos del volumen de aire y otros dispositivos de carga de aire del sistema existente.
8. **NO USE** el tanques como supresor de picos de presión.

⚠ ADVERTENCIA Riesgo de explosión. No haga la conexión a tierra en una línea de suministro de gas. Para impedir posibles heridas graves o fatales y/o daños al equipo, la presión del sistema debe ser inferior a 100 lib./pulg.² (689 kPa) en todo momento. La omisión en el respeto de estas instrucciones puede producir el reventón del tanque. Si la presión de descarga del sistema puede superar las 100 lib./pulg.² (689 kPa) instale una válvula capaz de admitir el caudal pleno de la bomba a 100 lib./pulg.² (689 kPa).

⚠ ADVERTENCIA Riesgo de congelamiento. No permita que la bomba, el tanque o el sistema de tuberías se congelen. El congelamiento puede producir graves daños al equipo, provocar la explosión del tanque y causar lesiones graves. La garantía queda nula si se permite que el tanque se congele.

Información general

Los tanques que se enumeran a continuación vienen precargados, o llenos de aire de la fábrica, hasta 40 libras por pulgada cuadrada (PSI) (276 kPa). Cuando instale el tanque, gradúe la presión del tanque según la Tabla 1. Para realizar esto, deje salir todo el aire o agregue aire al tanque a través de la válvula en la parte superior del tanque.

AVISO Siempre gradúe o inspeccione la precarga del tanque SIN AGUA en el tanque o presión de agua en el sistema. Si ya ha bombeado agua antes de graduar o chequear la presión precargada, apague la bomba. Abra el grifo hasta que no haya más presión de agua. Gradúe la precarga en el tanque según la Tabla 1 y luego cierre el grifo y encienda la bomba nuevamente.

AVISO Vuelva a colocar y apriete la tapa de la válvula de aire después de haber graduado la presión correctamente. Si no vuelve a colocar la tapa de aire, esto puede resultar en una pérdida de presión del aire, inundando el tanque y ocasionando fallas en la cisterna.

Tabla 1

Graduación del interruptor de presión - PSI	Tanque de precarga PSI
20-40 (138-276 kPa)	18 (124 kPa)
30-50 (207-345 kPa)	28 (193 kPa)
40-60 (276-414 kPa)	38 (262 kPa)

(El primer número en el conmutador a presión es el de la bomba en la graduación; el segundo número es el de la bomba no en la graduación).

Se pueden conectar tanques de almacenamiento precargados juntos para aumentar la aspiración adicional. La aspiración adicional es la cantidad efectiva de agua utilizable que se encuentra disponible desde el momento en que el tanque está lleno hasta cuando la bomba se enciende. Si se instalan dos tanques del mismo tamaño, esto duplicará el suministro de aspiración adicional, y tres tanques triplicarán el suministro de aspiración adicional (Figura 1). Ubique el conmutador a presión según se ilustra. El tanque y el conmutador a presión no pueden estar a más de 10 pies (3 m) de distancia.

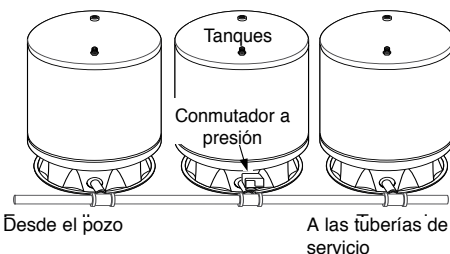


Figura 1

AVISO La capacidad del tanque es diferente de la aspiración adicional. La capacidad del tanque es el volumen físico efectivo de la hoja de metal que forma el tanque.

Ciclo de operación

- Paso 1. El tanque está casi vacío - el aire se expande llenando el área por encima de la cisterna (Figura 2A).
- Paso 2. El agua entra en el tanque - el aire se comprime por encima de la cisterna a medida que se llena de agua (Figura 2B).
- Paso 3. Se ha completado el ciclo de bombeo - el aire comprimido para la graduación OFF (apagado) del conmutador a presión (Figura 2C).
- Paso 4. Aspiración adicional desde el tanque - el aire comprimido en el tanque hace que el agua salga de la cisterna (Figura 2D).
- Paso 5. La cisterna está vacía - el sistema está listo para comenzar un nuevo ciclo (Figura 2A).

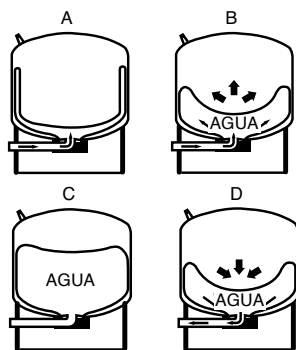


Figura 2

Instalación

Conecte el tubo de descarga desde la bomba al tubo en T. Conecte un lado del tubo en T al borde del tanque y el otro lado del tubo en T al servicio. Use tuberías de plástico o de acero según se requiera. Para evitar pérdidas, use cinta sellant de PTFE para roscas de tubería macho de todas las conexiones fileteadas al tanque.

AVISO Para asegurarse que no se hayan estropeado las roscas de las juntas de los tubos y de que todas las roscas estén limpias, efectúe primero las conexiones con la mano (sin sellador). Cuando las roscas estén limpias, retire el tubo, agregue la cinta sellante de PTFE para roscas de tubería, y vuelva a efectuar la conexión. Apriete primero con la mano y complete con una llave para tuberías.

Cuando instale un tubo acodado o un tubo corto de empalme en el borde del tanque de plástico, apriételo con la mano y luego déle una vuelta y media con una llave para tuberías. ¡NO APRIETE DEMASIADO!

Reemplazo del tanque estándar

Cuando se cambia el tanque estándar en un sistema de agua por un tanque precargado, no se requieren orificios de purga ni control de volumen de aire (AVC). Cuando determine el tamaño del tanque precargado para reemplazar un tanque estándar, los tanques deberán tener aspiraciones adicionales equivalentes. Por ejemplo, el tanque precargado modelo FP7110T tiene una aspiración adicional de 5,8 galones (22 l) y es equivalente a un tanque estándar de 42 galones con una aspiración adicional de 4,3 galones (16,3 l).

⚠ ADVERTENCIA Riesgo de choque eléctrico y explosión.

Desconecte toda la corriente eléctrica hacia la bomba y haga salir toda la presión del sistema antes de efectuar trabajos en la bomba, el tanque o en las tuberías.

Para instalaciones de bombas de eyector, retire el tuvo AVC del orificio en el cuerpo de la bomba o el cuerpo del eyector y tape el orificio (ver Figura 3). Las bombas nuevas vienen con tapones instalados.

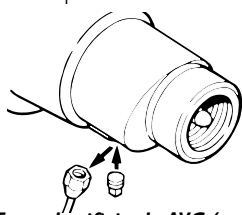


Figura 3 - Tape el orificio de AVC (control del volumen de aire) cuando instale el tanque precargado en bombas ya existentes. Las nuevas bombas vienen con el tapón instalado.

AVISO Cuando realice trabajos en bombas sumergibles en pozos, asegúrese de que la cuerda de seguridad esté conectada firmemente a la bomba y a un anclaje seguro en la cabeza del pozo en todo momento. ¡No deje caer la bomba en el pozo!

Orificios de purga

AVISO En instalaciones de bombas sumergibles, es posible que hayan orificios de purga en el tubo vertical de descarga. Es necesario quitar estos orificios y tapar los tubos en T cuando se instale un tanque precargado en el sistema. Para realizar esto, eleve la bomba y la tubería de descarga lo suficiente como para que los orificios de purga estén por encima del pozo. Quite los orificios de purga de los tubos en T y sustitúyalos con tapones (ver Figura 4). Los orificios de purga pueden ser de diferentes tamaños. Tenga un par de cada uno de los tapones de 1/2", 3/4" y 1" disponibles. Vuelva a colocar la bomba y a conectar el tubo de descarga.

Ajuste de la precarga del tanque

En zonas en donde la temperatura permanece elevada durante períodos largos de tiempo, es posible que la presión precargada del tanque aumente. Esto puede reducir la aspiración adicional del tanque (cantidad de agua disponible por ciclo). Si esto ocurre, ajuste la presión precargada según la *Tabla 1*.

Baldee todo el aire del sistema de tuberías y de la porción del depósito de agua en el tanque precargado. Esto se requiere en: nuevas instalaciones, bombas que se deben volver a cebar, y bombas que se han desarmado para servicios de mantenimiento o reparaciones. Se debe realizar lo siguiente:

- Paso 1. Abra los grifos más lejanos al tanque y haga funcionar la bomba.
- Paso 2. Haga funcionar la bomba hasta que no haya más chisporroteo y se observe una corriente continua de agua.

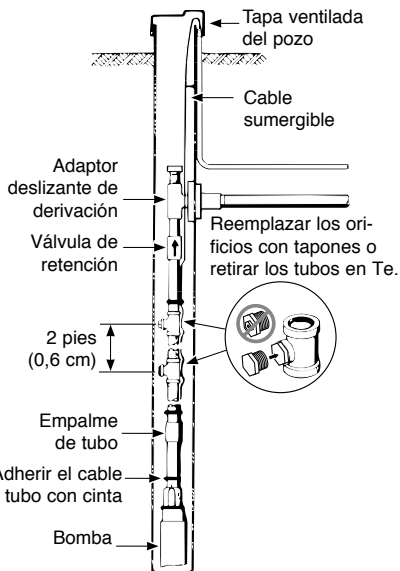


Figura 4

- Paso 3. Abra y cierre los grifos repetidamente hasta que se haya eliminado todo el aire.
- Paso 4. Si la corriente de agua no es continua, es posible que haya una pérdida de aire hacia el sistema. Verifique que no hayan fugas en las tuberías del lado de aspiración de la bomba.

AVISO Para evitar que la bomba se inunde, inspeccione la carga de aire en el tanque anualmente.

Cómo inspeccionar la carga de aire del tanque

Si la aspiración adicional disminuye en forma drástica, inspeccione lo siguiente:

- Paso 1. Para inspeccionar la carga de aire en el tanque, desconecte el suministro de corriente eléctrica hacia la bomba, abra el grifo cercano al tanque y drénelo completamente.
- Paso 2. En la válvula de aire, verifique la presión neumática del tanque con un calibrador de presión neumática. Consulte la *Tabla 1*, para la graduación correcta de presión. Si se requiere, ajuste la presión del tanque hacia arriba o hacia abajo.
- Paso 3. Use jabón o un detergente líquido para verificar que no hayan fugas de aire alrededor de la válvula de aire. Un continuo burbujeo indica pérdidas. Si es necesario, libere la presión de aire e instale un nuevo núcleo en la válvula de aire (igual al que se usa para las llantas de automóviles sin cámara interior.)

Prueba de pérdida en la cisterna

- Paso 1. Desconecte la corriente eléctrica hacia la bomba.
 - Paso 2. Drene el agua de la cisterna del tanque abriendo el grifo más cercano al tanque.
 - Paso 3. Saque la tapa de la válvula y libere toda la presión, presionando el núcleo de la válvula. Cuando no salga más aire de la válvula, retire el núcleo de la válvula para liberar la presión restante.
 - Paso 4. Desconecte la tubería del codo en el reborde cobertor del tanque.
 - Paso 5. Invierta el tanque con cuidado o colóquelo sobre un costado.
- AVISO** El agua que haya quedado retenida en el tanque puede ocasionar un cambio repentino de peso cuando se esté bajando. Soporte el tanque para que no se caiga cuando lo esté bajando o invirtiendo.
- Paso 6. Si hay fugas en la cisterna, el agua se escapará de la válvula. Si esto sucede, se deberá cambiar la cisterna.
 - Paso 7. Si cambia la cisterna, asegúrese de dejar salir las presiones de aire y de agua antes de retirar el reborde cobertor. Cuando vuelva a armar el reborde cobertor, no apriete las tuercas o los pernos de montaje más de 65 pulgadas-libra.

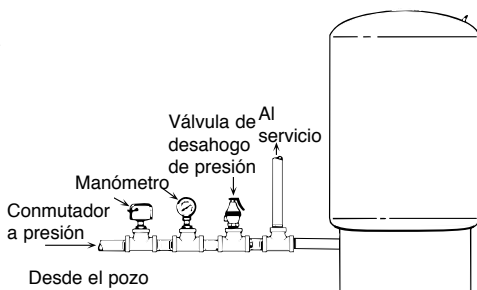


Figura 5 - Instalación típica con un tanque precargado vertical y bombas de pozo sumergibles

AVISO Cuando use tubos de metal con accesorios de plástico, use solamente cinta de PTFE en las roscas macho.

AVISO La mayoría de los tanques tiene orificios separados de entrada y de salida. Los tanques precargados poseen un orificio para ambas funciones. Cuando sustituya un tanque estándar con un tanque precargado, haga correr un tubo desde la bomba hacia el tubo en T según se ilustra. La segunda pata del tubo en T va al codo del tanque; la tercera pata va al servicio ya existente.

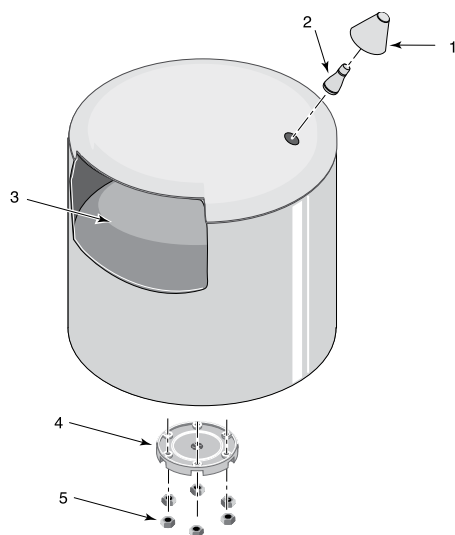
Información sobre el producto – Tanques precargados

Aspiración adicional - Galones (L) ón está ú			
Núm. de catálogo.	20 a 40lib./pulg ² (138 a 276kPa)	30 a 50 lib./ pulg ² (207 a 45kPa)	40 a 50 lib./ pulg ² (276 a 41kPa)
HT7-01	2.2 (8.3)	1.8 (6.8)	1.6 (6.1)
HT20-01	6.9 (26.1)	5.9 (22)	5.0 (18.9)
VT14-04	4.8 (18.2)	4.1 (15.5)	3.6 (13.6)
VT19-02	6.9 (26.1)	5.9 (22)	5.0 (18.9)
VT20-04	6.9 (26.1)	5.9 (22)	5.0 (18.9)
VT36-04	12.7 (48.1)	10.7 (40.5)	9.3 (35.2)
VT52-04	18.3 (69.3)	15.5 (58.7)	13.4 (50.7)
VT96-04	30.0 (113.6)	26.0 (98.4)	22.0 (83.3)
VT99-02	41.3 (156.3)	35.4 (134.0)	31.0 (117.3)

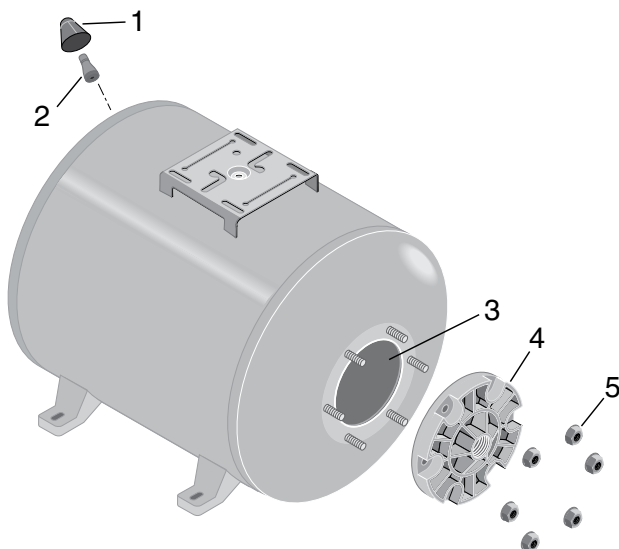
Núm. de catálogo.	Capacidad máxima - Galones U.S. (L)	Equivalente a Tanque estándar Galones U.S. (L)	Diámetro del tanque (mm)	Altura global del tanque (mm)	Rosca de descarga del tanque
HT7-01	6 (23)	15 (57)	12" (305)	16 1/2" (419)	.75"
HT20-01	19 (72)	42 (159)	16" (406)	*24-5/8" (625)	1"
VT14-04	14 (53)	30 (114)	16" (406)	23" (584)	1"
VT19-02	19 (72)	42 (159)	20" (508)	22-3/4" (578)	1"
VT20-04	19 (72)	42 (159)	16" (406)	30-1/8" (765)	1"
VT36-04	35 (132)	82 (310)	20" (508)	36 1/4" (921)	1"
VT52-04	50 (189)	120 (454)	24" (610)	34 3/4" (883)	1.25"
VT96-04	85 (322)	220 (833)	24" (610)	54" (1372)	1.25"
VT99-02	119 (450)	320 (1211)	24" (610)	68" (1727)	1.25"

* Largo global: este modelo es un tanque horizontal.

**Modelo
HT7-03**

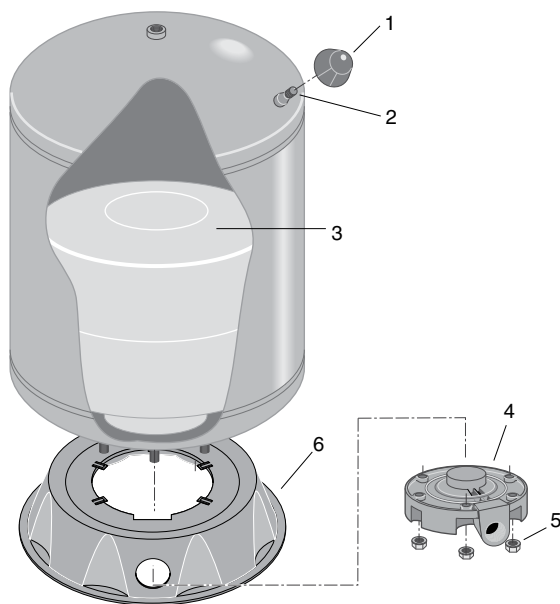


**Modelo
HT20-01**



Ref.	Descripción	Cant.	HT7-01	HT20
1	Cubierta de la válvula de aire	1	U31-380P	U31-380P
2	Valvula de aire con tapa	1	U212-160	U212-160
3	Cisterna - vinilo	1	U20-7	U20-7
4	Reborde cobertor	1	U31-442P	U31-442P
5	Tuerca de bridas - 5/16 - 18†	6	U36-202BT	U36-202BT

† Artículos estándar de ferretería, se pueden adquirir a nivel local.



Modelos
VT14-04
VT19-02
VT20-04
VT36-04
VT52-04
VT96-04
VT99-02

Ref.	Descripción	Cant.	VT14-04	VT19-02	VT20-04
1	Cubierta de la válvula de aire	1	U31-380P	U31-380P	U31-380P
2	Valvula de aire con tapa	1	U212-160	U212-160	U212-160
3	Cisterna - vinilo	1	U20-13	U20-08	U20-13
4	Reborde cobertor y codo	1	U31-446P	U31-446P	U31-446P
5	Tuerca de bridas - 5/16 - 18†	6	U36-202BT	U36-202BT	U36-202BT
6	Base	1	U31-505P	U31-505P	U31-505P
*	Bombear soporte de montaje	1	TNKBR-P2	TNKBR-P2	TNKBR-P2

Ref.	Descripción	Cant.	VT36-04	VT52-04	VT96-04
1	Cubierta de la válvula de aire	1	U31-380P	U31-380P	U31-380P
2	Valvula de aire con tapa	1	U212-160	U212-160	U212-160
3	Cisterna - vinilo	1	U20-9	U20-10	U20-14
4	Reborde cobertor y codo	1	U31-446P	U31-447P	U31-447P
5	Tuerca de bridas - 5/16 - 18†	6	U36-202BT	U36-202BT	U36-202BT
6	Base	1	U31-505P	U31-512P	U31-512P
*	Bombear soporte de montaje	1	TNKBR-P2	TNKBR-P2	TNKBR-P2

Ref.	Descripción	Cant.	VT99-02
1	Cubierta de la válvula de aire	1	U31-380P
2	Valvula de aire con tapa	1	U212-160
3	Cisterna - vinilo	1	U20-20
4	Reborde cobertor y codo	1	U31-462P
5	Tuerca de bridas - 5/16 - 18†	6	U36-202BT
6	Base	1	U31-505P
*	Bombear soporte de montaje	1	TNKBR-P2

† Artículos estándar de ferretería, se pueden adquirir a nivel local.
 * No ilustrado, se venden por separado

Retener el recibo original a fin de determinar la elegibilidad para la garantía

Garantía limitada

Esta Garantía Limitada entra en vigor el 1 de junio de 2011 y sustituye toda garantía sin fecha o garantía con fecha anterior al 1 de junio de 2011.

SIMER le garantiza al comprador consumidor original (el “Comprador” o “Usted”) de sus productos, que éstos estarán libres de defectos en materiales y en mano de obra por un período de doce (12) meses, a partir de la fecha de la compra original del consumidor. Si dentro de los doce (12) meses a partir de la fecha de la compra inicial del consumidor, Será reparado o reemplazado a opción de la SIMER, sujeto a los términos y condiciones establecidos en la presente. Tome nota de que esta garantía limitada cubre defectos de manufactura solamente y no el desgaste común. Todos los aparatos mecánicos periódicamente necesitan repuestos y servicio para un funcionamiento correcto. Esta garantía limitada no cubre las reparaciones que se realicen cuando el uso normal haya agotado la vida útil de una pieza o del aparato.

Es necesario retener el recibo de compra original y la etiqueta de información de la garantía a fin de determinar la elegibilidad para la garantía. La elegibilidad se basa en la fecha de compra del producto original - no en la fecha del reemplazo bajo la garantía. La garantía es limitada y cubre solamente la reparación o el reemplazo del producto original adquirido, no del producto reemplazado (es decir que se permite un reemplazo por compra bajo la garantía). El comprador pagará todos los costos de remoción, instalación, mano de obra y envío necesarios, así como todo costo adicional asociado.

Si necesita piezas o resolución de problemas, NO regrese el producto a la tienda minorista. Llame el Servicio a la Clientela de SIMER al 800-468-7867.

Las reclamaciones hechas bajo esta garantía se realizarán mediante la devolución del producto (a excepción de las bombas cloacales - ver a continuación) al concesionario de venta al público en donde se haya adquirido o a la fábrica, inmediatamente después de haber descubierto cualquier presunto defecto. SIMER entonces tomará la medida correctiva tan pronto como sea razonablemente posible. No se aceptarán solicitudes de servicio, si se reciben más de 30 días después del vencimiento de esta garantía.

La garantía no es transferible y no cubre productos utilizados en aplicaciones comerciales o de alquiler.

Bombas cloacales

NO devuelva una bomba cloacal (que se haya instalado) a su tienda minorista. Comuníquese con el Departamento de Atención al Cliente de SIMER. Las bombas cloacales que hayan estado en servicio y se hayan removido pueden representar un peligro de contaminación.

Si su bomba cloacal ha fallado:

- Use guantes de caucho cuando manipule la bomba;
- Para los fines de la garantía, devuelva la etiqueta del cordón de la bomba y el recibo de compra original a la tienda minorista;
- Descarte la bomba cumpliendo con todas las normas locales que correspondan para su eliminación.

Excepciones para la garantía limitada de doce (12) meses

Producto	Período de garantía
BW85P, M40P	90 días
2115, 2300, 2310, 2330, 2883, 2886, 2943, 2955, 2956, 2957, A5300, A5500	2 años
Bombas de pozo sumergibles de 4”, 2945, 2958, 2975PC, 3075SS, 3963, 3984, 3995, 4185, 4185P, 4186, 4188, 4190	3 años
Tanque precargado del sistema de agua, 3985, 3986, 3988, 3989, 5910, 5950, 5955, 5965, 5975	5 años

Términos y condiciones generales; Limitación de recursos

Usted deberá pagar por todos los gastos de mano de obra y de envío necesarios para reemplazar el producto cubierto por esta garantía. Esta garantía no se aplicará en las siguientes situaciones: (1) caso de fuerza mayor (2) productos que, a sólo juicio de SIMER hayan sido sometidos a negligencia, abuso, accidente, mala aplicación, manejo indebido o alteraciones; (3) fallas debido a instalación, operación, mantenimiento o almacenamiento inadecuados; (4) aplicaciones, usos o servicios que no sean normales o aprobados; (5) fallas provocadas por corrosión, herrumbre u otros materiales extraños en el sistema, o una operación a presiones que excedan los máximos recomendados.

Esta garantía establece la única obligación de SIMER y el recurso exclusivo del Comprador con respecto a los productos defectuosos.

SIMER NO SE HARÁ RESPONSABLE DE NINGÚN DAÑO CONSECUENTE, INCIDENTAL O CONTINGENTE.

LAS GARANTÍAS LIMITADAS QUE ANTECEDEN SON EXCLUSIVAS Y EN LUGAR DE TODA OTRA GARANTÍA EXPLÍCITA E IMPLÍCITA, INCLUYENDO, PERO SIN LIMITARSE A LAS GARANTÍAS IMPLÍCITAS DE COMERCIABILIDAD E IDONEIDAD PARA UN FIN ESPECÍFICO. LAS GARANTÍAS LIMITADAS QUE ANTECEDEN NO SE EXTENDERÁN MÁS ALLÁ DEL PERÍODO DE DURACIÓN INDICADO EN LA PRESENTE.

Algunos Estados no permiten la exclusión o limitación de daños incidentales o consecuentes o de limitaciones de tiempo sobre garantías implícitas, de modo que es posible que las limitaciones o exclusiones que preceden no correspondan en su caso. Esta garantía le otorga derechos legales específicos y es posible que Usted también tenga otros derechos que pueden variar de un Estado al otro.

SIMER • 293 Wright Street • Delavan, WI U.S.A. 53115
Teléfono: 800-468-7867 • Fax: 800-390-5351 • www.simerpump.com

THIS PAGE INTENTIONALLY LEFT BLANK

