



293 Wright St., Delavan, WI 53115

Phone: 1-800-468-7867

Fax: 1-800-390-5351

www.simerpump.com

OWNER'S MANUAL

## **Portable Utility/Sprinkler Pump**

---

NOTICE D'UTILISATION

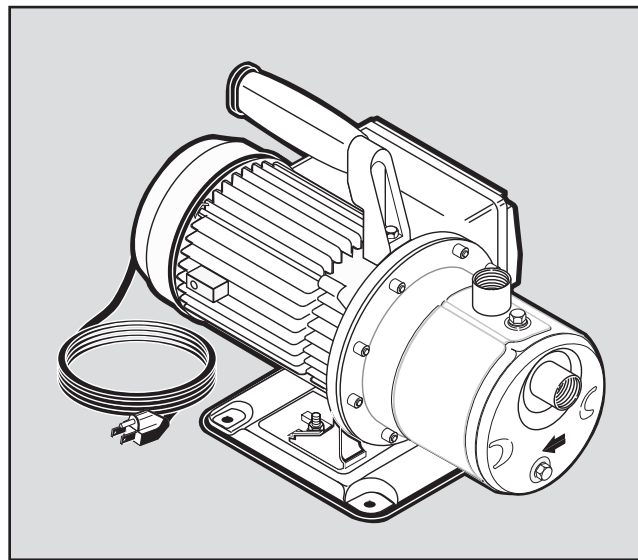
## **Pompe portable tout usage et pour l'arrosage**

---

MANUAL DEL USUARIO

## **Bomba portátil rociadora / para uso general**

---



### **MOD. 2825SS**

#### **Installation/Operation/Parts**

*For further operating, installation, or maintenance assistance:*

**Call 1-800-468-7867**

**English ..... Pages 2-7**

#### **Installation/Fonctionnement/Pièces**

*Pour plus de renseignements concernant l'utilisation, l'installation ou l'entretien,*

**Composer le 1 (800) 468-7867**

**Français ..... Pages 8-13**

#### **Instalación/Operación/Piezas**

*Para mayor información sobre el funcionamiento, instalación o mantenimiento de la bomba:*

**Llame al 1-800-468-7867**

**Español..... Páginas 14-19**

## READ AND FOLLOW SAFETY INSTRUCTIONS!

**⚠** This is the safety alert symbol. When you see this symbol on your pump or in this manual, look for one of the following signal words and be alert to the potential for personal injury.

**⚠ DANGER** warns about hazards that **will** cause serious personal injury, death or major property damage if ignored.

**⚠ WARNING** warns about hazards that **can** cause serious personal injury, death or major property damage if ignored.

**⚠ CAUTION** warns about hazards that **will** or **can** cause minor personal injury or property damage if ignored.

The label **NOTICE** indicates special instructions which are important but not related to hazards.

**Carefully read and follow all safety instructions in this manual and on pump.**


Keep safety labels in good condition. Replace missing or damaged safety labels.

### California Proposition 65 Warning

**⚠ WARNING** This product and related accessories contain chemicals known to the State of California to cause cancer, birth defects or other reproductive harm.

## GENERAL SAFETY

- To avoid risk of serious bodily injury and property damage, read the safety instructions carefully before installing this pump.
- Follow local and/or national plumbing and electrical codes when installing the pump.
- ⚠ WARNING Hazardous Pressure.** The pump body may explode if used as a booster pump unless a relief valve capable of passing the full pump flow at 60 PSI (414 kPa) is installed. Never run the pump dry. To do so can damage internal parts, overheat pump (which can cause burns to people handling or servicing pump), and will void warranty!

	<p><b>⚠ WARNING</b></p> <p><b>Hazardous pressure! Install pressure relief valve in discharge pipe.</b></p> <p>Release all pressure on system before working on any component.</p>
---	---

- ⚠ WARNING Risk of fire or explosion.** To avoid risk of fire and explosion, **Pump Water Only** with this pump. Do not use this pump in an atmosphere that might contain flammable fumes or vapors.

- ⚠ WARNING Burn Hazard.** If water is trapped in the pump during operation it may turn to steam. Trapped steam can lead to explosion and burns. Never run the pump with the outlet closed or obstructed.
- If used with a well for potable water, always disinfect the well and test the water for purity before using. Check with your local health department for testing procedures.
- Complete pump and piping must be protected against freezing. Freezing will cause damage and void the warranty.
- This pump is not designed, nor intended, for the pumping of chemicals or corrosive liquids. Pump water only with this pump.
- Do not run pump dry. If the pump is dry, damage will result and void the warranty.

## ELECTRICAL SAFETY


**⚠ The pump is supplied with a 3-conductor grounding type cord.** Connect only to a properly grounded, GFCI protected outlet. Do not lift the pump by the electrical cord.

**⚠ Match the motor voltage and the power supply voltage.** The supply voltage must be within +/- 10% of the motor nameplate voltage. Incorrect voltage can cause fire or seriously damage the motor and will void the warranty. If in doubt, consult a licensed electrician.

**⚠ The pump is non-submersible.** Keep the motor dry at all times. Do not wash the motor. Do not immerse. Protect the motor from wet weather.

**⚠ If using an extension cord, use only a UL approved indoor/outdoor, 3-wire, grounding type cord.** Do not allow any part of the cord or the receptacle ends to sit in water or in damp locations.

**⚠ Unplug the pump before servicing.** To avoid fatal shocks, proceed as follows if the pump needs servicing.

<p><b>⚠ WARNING</b></p>  <p><b>Hazardous voltage. Can shock, burn, or cause death.</b></p> <p>Ground pump before connecting to power supply. Disconnect power before working on pump, motor or tank.</p>
--

- Disconnect the power to the pump outlet box before pulling the pump plug.** Modern motors are designed to operate at high temperatures. To avoid burns when servicing pump, allow it to cool for 20 minutes after shut-down before handling.
- Take extreme care when changing fuses.** To reduce the chance of fatal electrical shocks, **DO NOT** stand in water or put

- your finger in the fuse socket.
- Ground** the pressure switch or motor before before running this pump.
- Plug pump into a Ground Fault Circuit Interrupter (GFCI) protected grounded outlet only.**

**Retain Original Receipt for Warranty Eligibility**

**Limited Warranty**

This Limited Warranty is effective June 1, 2011 and replaces all undated warranties and warranties dated before June 1, 2011. SIMER warrants to the original consumer purchaser (“Purchaser” or “You”) that its products are free from defects in material and workmanship for a period of twelve (12) months from the date of the original consumer purchase. If, within twelve (12) months from the original consumer purchase, any such product shall prove to be defective, it shall be repaired or replaced at SIMER’s option, subject to the terms and conditions set forth herein. Note that this limited warranty applies to manufacturing defects only and not to ordinary wear and tear. All mechanical devices need periodic parts and service to perform well. This limited warranty does not cover repair when normal use has exhausted the life of a part or the equipment.

The original purchase receipt and product warranty information label are required to determine warranty eligibility. Eligibility is based on purchase date of original product – not the date of replacement under warranty. The warranty is limited to repair or replacement of original purchased product only, not replacement product (i.e. one warranty replacement allowed per purchase). Purchaser pays all removal, installation, labor, shipping, and incidental charges.

For parts or troubleshooting assistance, DO NOT return product to your retail store. Contact SIMER Customer Service at 800-468-7867.

Claims made under this warranty shall be made by returning the product (except sewage pumps, see below) to the retail outlet where it was purchased immediately after the discovery of any alleged defect. SIMER will subsequently take corrective action as promptly as reasonably possible. No requests for service will be accepted if received more than 30 days after the warranty expires. Warranty is not transferable and does not apply to products used in commercial/rental applications.

**Sewage Pumps**

DO NOT return a sewage pump (that has been installed) to your retail store. Contact SIMER Customer Service. Sewage pumps that have seen service and been removed carry a contamination hazard with them.

If your sewage pump has failed:

- Wear rubber gloves when handling the pump;
- For warranty purposes, return the pump’s cord tag and original receipt of purchase to the retail store;
- Dispose of the pump according to local disposal ordinances.

**Exceptions to the Twelve (12) Month Limited Warranty**

Product	Warranty Period
BW85P, M40P	90 days
2115, 2300, 2310, 2330, 2883, 2886, 2943, 2955, 2956, 2957, A5300, A5500	2 Years
4” Submersible Well Pumps, 2945, 2958, 2975PC, 3075SS, 3963, 3984, 3995, 4185, 4185P, 4186, 4188, 4190	3 Years
Pre-Charged Pressure Tanks, 3985, 3986, 3988, 3989, 5910, 5950, 5955, 5965, 5975	5 Years

**General Terms and Conditions; Limitation of Remedies**

You must pay all labor and shipping charges necessary to replace product covered by this warranty. This warranty does not apply to the following: (1) acts of God; (2) products which, in SIMER’s sole judgement, have been subject to negligence, abuse, accident, misapplication, tampering, or alteration; (3) failures due to improper installation, operation, maintenance or storage; (4) atypical or unapproved application, use or service; (5) failures caused by corrosion, rust or other foreign materials in the system, or operation at pressures in excess of recommended maximums.

This warranty sets forth SIMER’s sole obligation and purchaser’s exclusive remedy for defective products.

SIMER SHALL NOT BE LIABLE FOR ANY CONSEQUENTIAL, INCIDENTAL, OR CONTINGENT DAMAGES WHATSOEVER.

THE FOREGOING WARRANTIES ARE EXCLUSIVE AND IN LIEU OF ALL OTHER EXPRESS AND IMPLIED WARRANTIES, INCLUDING BUT NOT LIMITED TO THE IMPLIED WARRANTIES OF MERCHANTABILITY AND FITNESS FOR A PARTICULAR PURPOSE. THE FOREGOING WARRANTIES SHALL NOT EXTEND BEYOND THE DURATION PROVIDED HEREIN.

Some states do not allow the exclusion or limitation of incidental or consequential damages or limitations on how long an implied warranty lasts, so the above limitations or exclusions may not apply to You. This warranty gives You specific legal rights and You may also have other rights which vary from state to state.

**SIMER • 293 Wright Street • Delavan, WI U.S.A. 53115**  
**Phone: 800-468-7867 • Fax: 800-390-5351 • www.simerpump.com**

## SPECIFICATIONS

Power Supply Required..... .115 Volts  
 Motor Duty .....Continuous  
 Circuit Requirement (minimum) ..... 15.0 Amps  
 Discharge Adapter..... 1"

## SHALLOW WELL JET PUMP INSTALLATIONS:

- Have a vertical depth of 25' or less.
- Have one pipe from the well to the pump case.
- Can be installed in a bored or drilled well, or in a driven well.

## REPLACING AN OLD PUMP

**⚠ WARNING** **Hazardous voltage. Can shock, burn or kill.** Disconnect power to pump before working on pump or motor.

This pump can replace shallow well jet pump, Model 3825. This will require reusing the pressure switch and wiring the pump to the switch.

1. Drain and remove the old pump. Check the old pipe for scale, lime, rust, etc., and replace it if necessary.
2. Install the pump in the system. Make sure that all pipe joints in the suction pipe are air-tight as well as water tight. *If the suction pipe can suck air, the pump will not be able to pull water from the well.*
3. Adjust the pump mounting height so that the plumbing connections do not put a strain on the pump body. Support the pipe so that the pump body does not take the weight of piping or fittings.

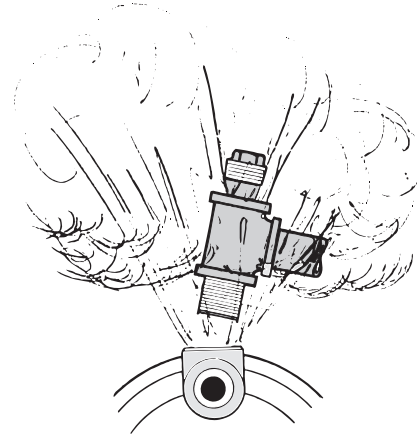
**This completes the well plumbing for your new shallow well jet pump. Please go to Page 6 for discharge pipe and tank connections.**

### Sealing Pipe Joints

Use only Teflon tape for making all threaded connections to the pump itself. **Do not use pipe joint compounds on plastic pumps:** they can react with the plastic in pump components. Make sure that all pipe joints in the suction pipe are air tight as well as water tight. *If the suction pipe can suck air, the pump will not be able to pull water from the well.*

## BOOSTING CITY WATER PRESSURE

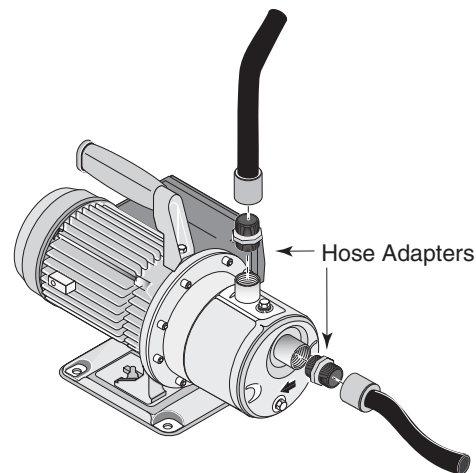
**⚠ WARNING** **Hazardous pressure.** Never run the pump against a closed discharge. To do so can boil the water inside the pump, causing hazardous pressure in the pump causing the risk of explosion and possibly scalding persons nearby. See Figure 1.



**Figure 1: Do Not Run Pump With Outlet Shut Off**

When using the pump as a high-pressure washer, use only a reinforced high pressure hose or pipe for the discharge line.

When using a garden hose, install adapters to the pump suction and the discharge. The suction hose will require two female ends. Either use a standard washing machine supply hose or modify a short piece of standard 1" garden hose as a suction line (See Figure 2).

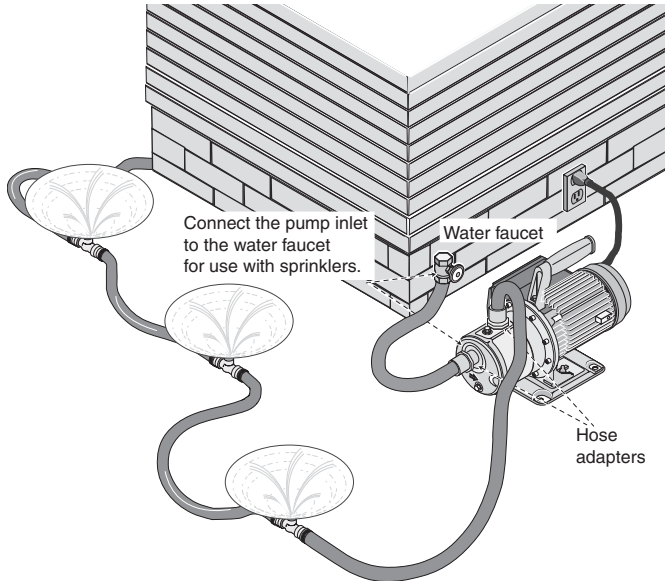


**Figure 2: Hose adapter installation**

## PERFORMANCE

Model	Amps	Output Pressure						Maximum PSI
		0	10	20	30	40	50	
2825SS	9.8	10	8.5	8.0	7.5	7.0	6.0	80

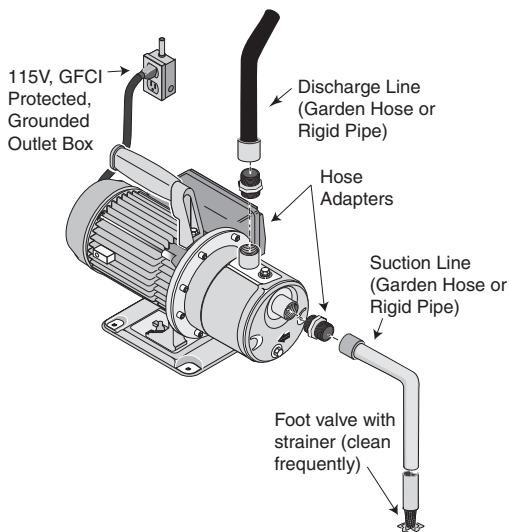
**⚠ WARNING Hazardous pressure.** Do not shut off the hose or the sprinklers while the pump is running. The hose or sprinkler head may explode.



**Figure 3: Connect pump to a spigot for use with sprinklers. Connect with adapters supplied with pump**

## PIPING

Both the suction and discharge ports are tapped for 1" NPT threads. If using hoses, use hose adapters. See Figure 2. Do not use a hose on the suction if pumping from lakes, streams or ponds. The hose will collapse and cause pump failure. Install a strainer with a foot valve on the end of the suction line. Inspect and clean the strainer frequently (Figure 4).



**Figure 4: Strainer and foot valve installation**

**NOTICE:** An air leak in the suction pipe may draw air in although no water leaks out. Make sure there are no air leaks or air pockets in the suction pipe.

## PRIMING/OPERATION

**NOTICE:** Do not run the pump dry. Running the pump without water can damage the impeller and may damage the seal, causing leaking or flooding, and will void warranty.

All suction connections must be airtight. Make sure the suction lift is not more than 25 feet (7.6M). Fill the pump body through the priming port before starting the pump. Start the pump; it should pump water in under 10 minutes (depending on the length of the suction hose and the height of the pump above water).

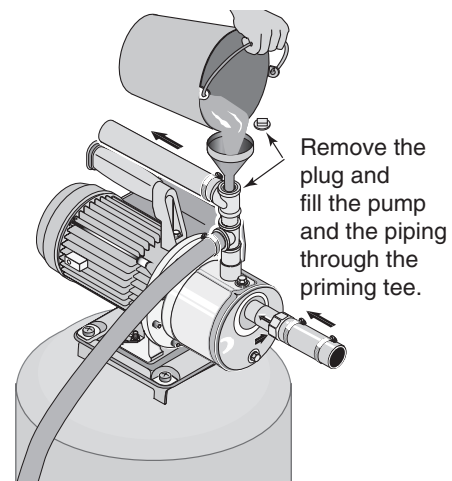
## PREPARING TO START THE PUMP (REFER TO FIGURE 5)

**⚠ CAUTION Risk of burns. Never run pump dry.**

Running the pump without water may cause the pump to overheat, damaging the seal and possibly causing burns to persons handling the pump. Fill the pump with water before starting.

**⚠ WARNING Hazardous Pressure.** Never run the pump against closed discharge. To do so can boil water inside pump, causing hazardous pressure in unit, risk of explosion and possibly scalding persons handling pump.

1. Remove the priming plug from the priming tee and fill the pump. Fill all piping between the pump and the well and make sure that all piping in the well is full. If you have also installed a priming tee in the suction piping, remove the plug from the tee and fill the suction piping. See Figure 5.



**Figure 5: Prime the Pump**



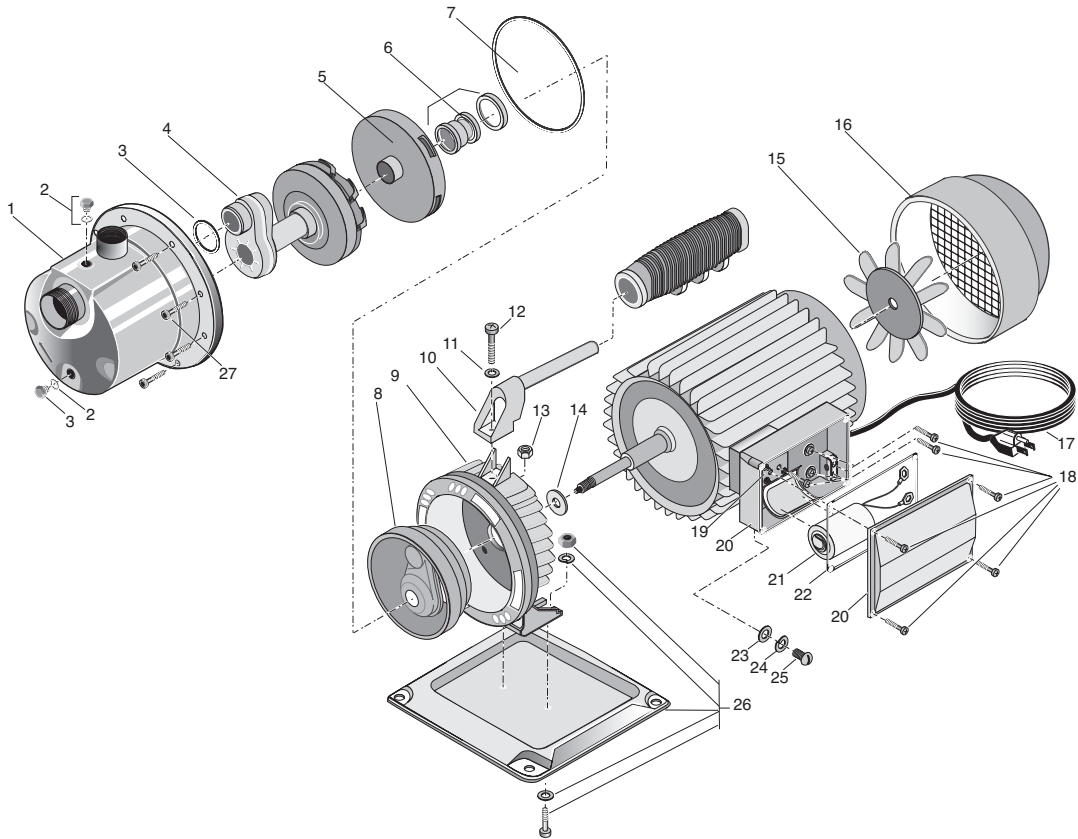
2. Replace all fill plugs.
3. Power on! Start the pump. If you don't have water after 2 or 3 minutes, stop the pump and remove the fill plugs. Refill the pump and piping. You may have to repeat this several times in order to get all of the trapped air out of the piping. A pump lifting water 25' may take as long as 15 minutes to prime.

**Congratulations on a successful installation.**

If you were unsuccessful, please refer to the Troubleshooting section (below) or call our customer service technical staff at 1-800-468-7867.

## Troubleshooting

SYMPTOM	POSSIBLE CAUSE(S)	CORRECTIVE ACTION
Motor will not run	Fuse is blown or circuit breaker tripped	DISCONNECT POWER; Replace fuse or reset circuit breaker.
Motor runs hot and the overload kicks off or the does not run and only hums.	Voltage is too low	Check voltage being supplied to the pump.
Motor runs but no water is delivered*  * (Note: <i>Stop pump</i> ; then check prime before looking for other causes. Unscrew priming plug and see if water is in priming hole).	<p>Pump during new installation did not pick up prime through:</p> <ol style="list-style-type: none"> <li>1. Improper priming</li> <li>2. Air leaks</li> <li>3. Leaking foot valve</li> <li>4. Pipe size is too small</li> </ol> <p>Pump has lost prime through:</p> <ol style="list-style-type: none"> <li>1. Air leaks</li> <li>2. Water level below suction pipe inlet</li> </ol> <p>Impeller is plugged Foot valve is stuck shut Pipes are frozen Foot valve and/or strainer are buried in sand or mud</p>	<p>In new installation:</p> <ol style="list-style-type: none"> <li>1. Re-prime according to instructions.</li> <li>2. Check all connections on suction line, with soapy water or shaving cream.</li> <li>3. Replace foot valve.</li> <li>4. Re-pipe using size of suction and discharge ports on pump.</li> </ol> <p>In installation already in use:</p> <ol style="list-style-type: none"> <li>1. Check all connections on suction line and shaft seal with soapy water.</li> <li>2. Lower suction line into water and re-prime. If receding water level in well exceeds 25' (7.6M), a deep well pump is needed.</li> </ol> <p>Clean impeller. Replace the foot valve. Thaw pipes. Raise the foot valve and/or strainer above bottom of water source. Clean foot valve and strainer.</p>
*Pump does not deliver water to full capacity	<p>Water being pumped is lower than estimated</p> <p>Steel piping (if used) is corroded or limed, causing excess friction</p> <p>Piping is too small in size</p> <p>Pump not being supplied with enough water</p>	<p>A deep well jet will may needed if the water being pumped is more than 25' (7.6M) depth to water.</p> <p>Replace with plastic pipe where possible, otherwise with new steel pipe.</p> <p>Re-pipe using size of suction and discharge ports on pump.</p> <p>Add additional well points.</p>



Key No.	Part Description	No. Used	Part Number
1	Pump Body	1	723S2290
2	Drain Plug with O-Ring	2	121P6090
3	O-Ring, Nozzle	1	111P3640
4	Diffuser, Venturi, Nozzle Assembly	1	101P2840
5	Impeller	1	731S2220
6	Mechanical Seal, Assembly	1	ZBR39020
7	O-Ring, Pump Body	1	111P1190
8	Flange	1	101P1290
9	Intermediate Support	1	721S4460
10	Handle with Handle Grip	1	751S8960
11	Washer, Handle	1	121P1500
12	Screw, Handle	1	121P1600
13	Lock Nut, Handle	1	121P0020
14	Water Singer	1	102P0540
15	Fan,Cooling	1	102P0570
16	Fan Cover	1	721S1090
17	Power Cord	1	191P0560
18	Screws, Capacitor Holder	11	121P2060
19	Grounding Lug	1	171P4070
20	Capacitor Box W/ Cover	1	102P2830
21	Capacitor	1	171P5430
22	O-Ring, Capacitor Box	1	111P1350
23	Washer, Ground Screw	1	121P0090
24	Lockwasher, Ground Screw	1	121P0920
25	Screw, Ground	1	121P1280
26	Base Assembly	1	ZBR25690
27	Screw, Pump Body	6	121P0340

## LIRE ET OBSERVER TOUTES CES INSTRUCTIONS DE SÉCURITÉ !

**⚠** Ce symbole indique qu'il faut être prudent. Lorsque ce symbole apparaît sur la pompe ou dans cette Notice, rechercher une des mises en garde qui suivent, car elles indiquent un potentiel possible de blessures corporelles.

**⚠ DANGER** avertit d'un danger **qui causera** des blessures corporelles, la mort ou des dommages matériels importants si on l'ignore.

**⚠ AVERTISSEMENT** avertit d'un danger **qui risque** de causer des blessures corporelles, la mort ou des dommages matériels importants si on l'ignore.

**⚠ ATTENTION** avertit d'un danger qui **causera** ou qui **risquera** de causer des blessures corporelles, la mort ou des dommages matériels importants si on l'ignore.

Le mot **REMARQUE** indique des instructions spéciales et importantes n'ayant aucun rapport avec les dangers.

**Lire attentivement toutes les consignes de sécurité contenues dans cette Notice ou collées sur la pompe.**

Garder les autocollants en bon état concernant les consignes de sécurité.

Les remplacer s'ils manquent ou s'ils ont été endommagés.

### Avertissement lié à la Proposition 65 de la Californie

**⚠ AVERTISSEMENT** Ce produit et les accessoires connexes contiennent des produits chimiques reconnus dans l'État de la Californie comme pouvant provoquer des cancers, des anomalies congénitales ou d'autres dangers relatifs à la reproduction.

## CONSIGNES DE SÉCURITÉ GÉNÉRALES

1. Pour éviter tout risque de blessures corporelles graves et des dommages matériels importants, lire attentivement ces consignes de sécurité avant de procéder à l'installation de la pompe.
2. Pour installer cette pompe, respecter les codes de la plomberie et de l'électricité de la municipalité et du gouvernement fédéral.

3. **⚠ AVERTISSEMENT** **Pression dangereuse. Le corps de la pompe peut exploser si la pompe est utilisée en tant que pompe de surpression, à moins qu'une soupape de sûreté pouvant laisser passer le débit maximum de la pompe de 414 kPa (60 lb/po<sup>2</sup>) soit posée. Ne jamais faire fonctionner la pompe à sec, sinon elle risque de surchauffer, ses joints risquent d'être endommagés et les personnes qui la manipuleront risquent de se brûler. Cette pratique annule aussi la garantie.**

	<p><b>⚠ AVERTISSEMENT</b></p> <p><b>Pression dangereuse! Poser une soupape de sûreté sur le tuyau de refoulement.</b> Dissiper toute la pression du système avant d'intervenir sur un composant.</p>
---	--

4. **⚠ AVERTISSEMENT** **Risque d'incendie ou d'explosion.** Pour empêcher tout risque d'incendie ou d'explosion, **ne pomper que de l'eau** avec cette pompe. Ne pas utiliser cette pompe dans une atmosphère contenant des vapeurs inflammables.
5. **⚠ AVERTISSEMENT** **Risque de brûlures.** Toute eau restée emprisonnée dans la pompe pendant qu'elle fonctionne risque de se transformer en vapeur et de provoquer une explosion et des brûlures. Ne jamais faire fonctionner la pompe si son refoulement est fermé ou bouché.
6. Si cette pompe est utilisée pour pomper l'eau potable d'un

puits, toujours désinfecter le puits et, avant d'utiliser l'eau, la faire analyser pour s'assurer de sa pureté. Pour procéder à l'analyse de l'eau, s'adresser au Service de santé de la municipalité

7. La pompe et les tuyauteries doivent être protégées contre le gel. Le gel causera des dommages, ce qui annulera la garantie.
8. Cette pompe n'est pas conçue ni prévue pour pomper des produits chimiques ni des corrosifs liquides. Ne pomper que de l'eau avec cette pompe.
9. Ne pas faire fonctionner cette pompe à sec, sinon elle sera endommagée, ce qui annulera la garantie.

## CONSEILS DE SÉCURITÉ CONCERNANT L'ÉLECTRICITÉ


**⚠** Cette pompe est livrée avec un cordon électrique à 3 conducteurs, dont un de mise à la terre. Ne brancher ce cordon que dans une prise de courant adéquatement mise à terre et protégée par un disjoncteur de fuite à la terre. Ne pas lever cette pompe par son cordon électrique.

**⚠** Faire correspondre la tension du moteur avec la celle d'alimentation. La tension d'alimentation doit correspondre à  $\pm 10\%$  de la tension indiquée sur la plaque signalétique du moteur. Une mauvaise tension risque de causer un incendie, voire de graves dommages au moteur, ce qui annulera la garantie. En cas de doute, consulter un électricien qualifié.

**⚠** Cette pompe n'est pas submersible. Toujours garder son moteur sec. Ne pas le laver ni l'immerger. Protéger son moteur contre les intempéries.

**⚠** Si on doit utiliser un cordon prolongateur, n'utiliser qu'un cordon prolongateur à 3 conducteurs dont un de mise à la terre. Ce cordon doit être approuvé UL pour utilisation à l'intérieur et à l'extérieur. Ne pas jamais laisser une partie du cordon prolongateur ni ses extrémités fiche et prise reposer dans l'eau ou dans un endroit humide.

**⚠** Avant d'intervenir sur la pompe, la débrancher du courant qui l'alimente. Pour éviter tout risque de subir des secousses électriques mortelles, procéder comme il est indiqué ci-dessous si on doit intervenir sur la pompe.

<p><b>⚠ AVERTISSEMENT</b></p>  <p><b>Tension dangereuse. Peut entraîner des chocs, des brûlures ou causer la mort.</b> Mettre la pompe à la terre avant de la brancher. Couper le courant électrique avant de travailler sur la pompe, le moteur ou le réservoir.</p>
---

**A. Couper le courant alimentant la prise de courant avant d'intervenir sur la pompe.** Les moteurs modernes sont conçus pour fonctionner par des températures élevées. Pour ne pas se brûler lorsqu'on intervient sur la pompe, laisser son moteur refroidir pendant 20 minutes après avoir arrêté la pompe et avant de la manipuler.

**B. Il faut être extrêmement prudent lorsqu'on remplace un fusible.** Pour réduire les risques de secousses électriques mortelles, NE PAS se tenir dans l'eau et ne pas mettre un doigt dans la douille du fusible.

**C. Mettre à la terre** le pressostat ou le moteur avant de démarrer la pompe.

**D. Ne brancher la pompe que dans une prise de courant adéquatement mise à la terre protégée par un disjoncteur de fuite à la terre.**



## Conserver le reçu de caisse original aux fins d'admissibilité à la garantie

### Garantie limitée

La présente garantie limitée est entrée en vigueur le 1er juin 2011 et remplace toute garantie non datée ou antérieure à cette date. SIMER garantit à l'acheteur/au consommateur d'origine (l'Acheteur) que ses produits sont exempts de tout vice de matériau et de fabrication. Cette garantie est valable pendant douze (12) mois à partir de la date d'achat d'origine. Si, dans les douze (12) mois suivant la date d'achat d'origine, un produit se révèle défectueux, il doit être réparé ou remplacé, à la discrétion de SIMER, selon les modalités énoncées aux présentes. Il est à noter que la présente garantie limitée s'applique aux défauts de fabrication seulement. Elle ne couvre pas l'usure normale. Tout dispositif mécanique doit faire l'objet d'un entretien périodique pour veiller à son bon fonctionnement. La présente garantie limitée ne couvre pas les réparations attribuables à l'usure normale d'une pièce ou de l'équipement.

Le reçu de caisse original et l'étiquette d'information sur la garantie sont nécessaires pour déterminer l'admissibilité à la garantie. Cette dernière est établie en fonction de la date d'achat de l'article et non de la date de son remplacement sous garantie. La garantie se limite à la réparation ou au remplacement de l'article original seulement et ne couvre pas l'article de rechange (c.-à-d. un article remplacé sous garantie par achat). L'Acheteur assume les frais de retrait, d'installation, de transport et tous les frais accessoires.

Pour obtenir des pièces ou de l'aide technique, NE PAS retourner le produit au détaillant. Contacter le service à la clientèle de SIMER au 800 468-7867.

Toute demande de règlement en vertu de la présente garantie doit être faite en retournant l'article (à l'exception des pompes de puisard; voir la marche à suivre ci-dessous) au magasin où celui-ci a été acheté dès qu'une défectuosité est soupçonnée. SIMER prendra les mesures correctives nécessaires dans un délai rapide et raisonnable. Aucune demande de réparation ne sera acceptée plus de 30 jours après l'expiration de la garantie.

La garantie ne peut être cédée et ne s'applique pas aux produits utilisés à des fins commerciales ou de location.

### Pompes d'eaux d'égout

NE PAS RETOURNER une pompe d'eaux d'égout (qui a été installée) au détaillant. Communiquer avec le service à la clientèle de SIMER. Les pompes d'eaux d'égout qui ont été utilisées, puis retirées présentent un risque de contamination.

En cas de défaillance de la pompe d'eaux d'égout :

- Porter des gants en caoutchouc pour manipuler la pompe.
- À des fins de garantie, retourner l'étiquette figurant sur le cordon de la pompe et l'original du reçu au détaillant.
- Mettre la pompe au rebut conformément à la réglementation locale.

### Exceptions à la garantie limitée de douze (12) mois

Produit	Période de garantie
BW85P, M40P	90 jours
2115, 2300, 2310, 2330, 2883, 2886, 2943, 2955, 2956, 2957, A5300, A5500	2 ans
Pompe pour puits submersibles de 4 pouces, 2945, 2958, 2975PC, 3075SS, 3963, 3984, 3995, 4185, 4185P, 4186, 4188, 4190	3 ans
Réservoir préchargé de système d'eau, 3985, 3986, 3988, 3989, 5910, 5950, 5955, 5965, 5975	5 ans

### Modalités générales et restriction des recours

L'Acheteur doit payer tous les frais de main d'œuvre et de transport nécessaires au remplacement du produit garanti couvert par cette garantie. Cette garantie ne s'applique pas à ce qui suit : (1) Les catastrophes naturelles; (2) Les produits qui, selon SIMER, ont fait l'objet d'une négligence, d'une utilisation abusive, d'un accident, d'une mauvaise application ou d'une altération; (3) Les défaillances dues à une installation, une utilisation, un entretien ou un entreposage inappropriés; (4) Une application, une utilisation ou une réparation atypique ou non approuvée; (5) Les défaillances causées par la corrosion, la rouille ou d'autres matériaux étrangers au système, ou par une utilisation à une pression supérieure au maximum recommandé.

Cette garantie établit la responsabilité unique de SIMER et le recours exclusif de l'Acheteur en cas de produit défectueux.

SIMER NE POURRA TRE TENUE RESPONSABLE DE TOUT DOMMAGE INDIRECT OU CONSÉCUTIF QUEL QU'IL SOIT.

LA GARANTIE LIMITÉE SUSMENTIONNÉE EST EXCLUSIVE ET REMPLACE TOUTES LES AUTRES GARANTIES EXPRESSES ET TACITES, Y COMPRIS, MAIS SANS S'Y LIMITER, LES GARANTIES DE QUALITÉ MARCHANDE ET D'ADAPTATION À UN USAGE PARTICULIER. LA GARANTIE LIMITÉE SUSMENTIONNÉE NE DOIT PAS ÊTRE PROLONGÉE AU-DELÀ DE LA DURÉE PRÉVUE AUX PRÉSENTES.

Certains États ne permettent pas l'exclusion ou la limitation des dommages indirects ou consécutifs, ni les limitations relatives à la durée des garanties implicites. Par conséquent, il se peut que les limitations ou les exclusions ci-dessus ne s'appliquent pas. Cette garantie procure des droits juridiques précis à l'Acheteur. Cependant, il est possible de bénéficier d'autres droits, qui varient selon l'État.

**SIMER • 293 Wright Street • Delavan, WI U.S.A. 53115**

**Téléphone : 800 468-7867 • Télécopieur : 800 390-5351 • [www.simerpump.com](http://www.simerpump.com)**

## CARACTÉRISTIQUES

Courant électrique requis .....115 volts  
 Fonctionnement du moteur ..... Continu  
 Circuit requis (minimal) .....15 ampères  
 Adaptateur de refoulement .....1 po

## INSTALLATION DE LA POMPE À ÉJECTEUR SUR UN PUIS PEU PROFOND

- La profondeur verticale entre la pompe et l'eau pompée ne doit pas dépasser 7,60 mètres (25 pieds).
- N'utiliser qu'un seul tuyau entre le puits et le corps de la pompe.
- Cette pompe peut pomper l'eau d'un puits foré ou d'une pointe filtrante.

## REPLACEMENT DE LA POMPE EXISTENTE

**⚠ AVERTISSEMENT** Tension dangereuse. Risque de secousses électriques, de brûlures, voire de mort.

Avant d'intervenir sur la pompe ou le moteur, couper le courant qui les alimente.

Cette pompe peut remplacer la pompe à éjecteur pour puits peu profonds, modèle 3825. Cela requiert la réutilisation du manostat et le câblage de la pompe au commutateur.

1. Vider toute l'eau de l'ancienne pompe avant de la déposer. Vérifier la tuyauterie à la recherche de dépôts de tartre, de chaux, de rouille, etc. Remplacer la tuyauterie au besoin.
2. Brancher la pompe sur le système. S'assurer que tous les raccords du tuyau d'aspiration sont bien étanches, aussi bien à l'air qu'à l'eau. *Si le tuyau d'aspiration aspire de l'air, la pompe ne pompera pas l'eau du puits.*
3. Régler la hauteur de la pompe de façon que les raccords de plomberie n'exercent aucune contrainte sur son corps. Supporter les tuyaux de façon que le corps de la pompe ne subisse pas le poids de la tuyauterie, ni celui des raccords.

**Le branchement du tuyau d'aspiration sur la pompe à éjecteur pour puits peu profond ne est terminé. Se reporter à la page 6 pour procéder aux branchements du tuyau de refoulement et du réservoir.**

### Étanchéité des raccords des tuyaux

Utiliser du ruban en téflon pour procéder à tous les raccordements filetés sur la pompe. **Ne pas utiliser de pâte pour raccords filetés sur les pompes en plastique.** Cette pâte réagira avec les composants en plastique de la pompe. S'assurer que tous les raccords du tuyau d'aspiration sont bien étanches, aussi bien à l'air qu'à l'eau. *Si le tuyau d'aspiration aspire de l'air, la pompe ne pompera pas l'eau du puits*

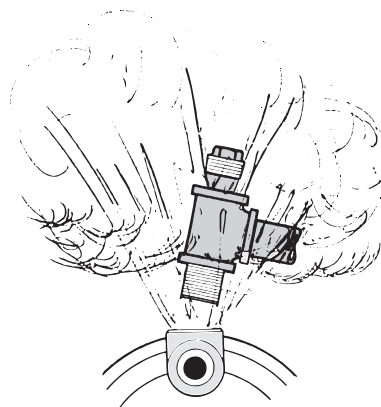
## RENDEMENTS

Modèle	Ampères	Pression de refoulement						lb/po <sup>2</sup> (maxi)
		0	10	20	30	40	50	
2825SS	9,8	10	8,5	8,0	7,5	7,0	6,0	80

Pour obtenir des pièces ou de l'aide, appeler le Service à la clientèle Simer en composant le | 800 468-7867

## AUGMENTATION DE LA PRESSION DE L'EAU COURANTE

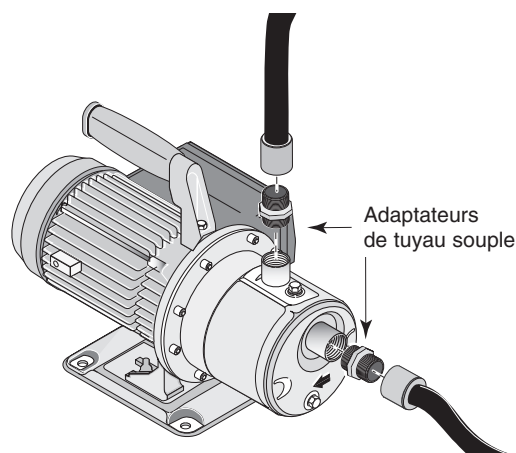
**⚠ AVERTISSEMENT** Pression dangereuse. Ne jamais faire fonctionner la pompe contre un refoulement fermé, sinon l'eau risque de bouillir à l'intérieur de la pompe, une accumulation dangereuse de pression risque de se produire, un danger d'explosion peut s'ensuivre et les personnes se trouvant à proximité risquent d'être ébouillantées. (Se reporter à la figure 1).



**Figure 1: Ne pas faire fonctionner la pompe si le refoulement est fermé**

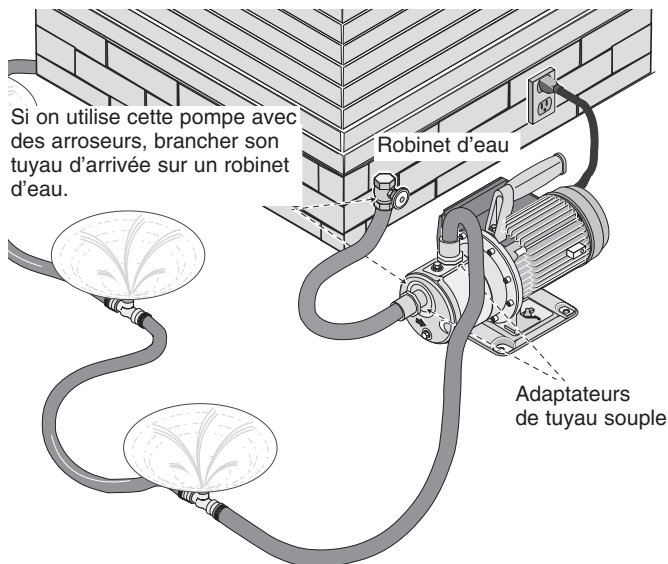
Si on utilise cette pompe en tant que nettoyeur haute pression, la brancher que sur un tuyau de refoulement souple haute pression renforcé ou un tuyau rigide.

Si on utilise un tuyau d'arrosage, poser des adaptateurs sur l'aspiration et le refoulement de la pompe. Le tuyau souple d'aspiration devra comporter deux embouts femelles. Utiliser soit un tuyau souple de laveuse standard soit un petit morceau de tuyau d'arrosage standard de 1 po en tant que tuyau d'aspiration. (Se reporter à la Figure 2).



**Figure 2: Branchement des adaptateurs de tuyau souple**

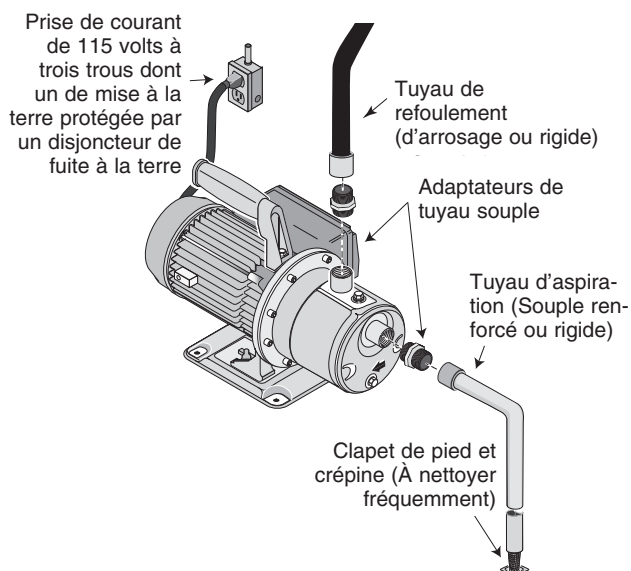
**⚠ AVERTISSEMENT** **Pression dangereuse.** Ne pas fermer la sortie du tuyau souple ni les arroseurs pendant que la pompe fonctionne, sinon le tuyau souple ou la tête des arroseurs risque d'exploser.



**Figure 3:** Pour utiliser cette pompe avec des arroseurs, la brancher sur un robinet. Utiliser les adaptateurs livrés avec la pompe

## TUYAUTERIE

Les orifices d'aspiration et de refoulement sont dotés de filets intérieurs de 1 po. Utiliser des adaptateurs si on utilise des tuyaux souples. Se reporter à la Figure 2. Pour pomper l'eau d'un lac, d'un ruisseau ou d'un étang, ne pas brancher un tuyau souple sur l'aspiration de la pompe, sinon il s'aplatira et la pompe tombera en panne. Poser une crépine et un clapet de pied à l'extrémité du d'aspiration. Inspecter et nettoyer fréquemment la crépine. (Se reporter à la Figure 4).



**Figure 4:** Branchement de la crépine et du clapet de pied

**REMARQUE :** Toute prise d'air du tuyau d'aspiration empêchera la pompe de pomper, même s'il n'y a pas de fuites d'eau. S'assurer qu'il n'y a pas de prises d'air ni de poches d'air dans le tuyau d'aspiration.

## AMORÇAGE ET FONCTIONNEMENT

**REMARQUE :** Ne pas faire fonctionner la pompe à sec sinon son impulseur et son joint risquent d'endommager ce qui causera des fuites ou une inondation. Cette pratique annule également la garantie.

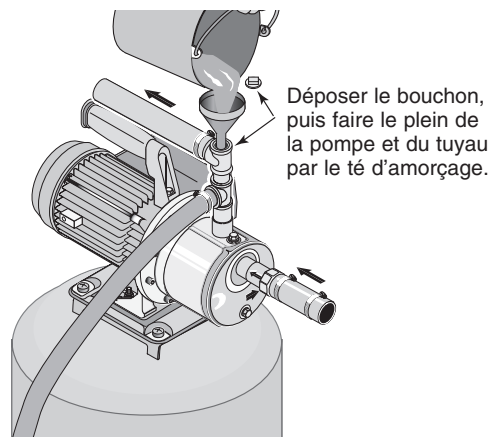
Tous les raccords d'aspiration doivent être étanches. S'assurer que la hauteur géométrique d'aspiration est inférieure à 7,60 m (25 pi). Avant de démarrer la pompe, remplir son corps par l'orifice d'amorçage. Démarrer la pompe. Elle doit pomper de l'eau dans les 10 minutes qui suivent (en fonction de la longueur du tuyau souple d'aspiration et de la hauteur à laquelle elle est située par rapport à l'eau).

## PRÉPARATION AVANT DE DÉMARRER LA POMPE (FIGURE 5)

**⚠ ATTENTION** **Risque de brûlures.** Ne jamais faire fonctionner la pompe à sec, sinon elle risque de surchauffer, ses joints risquent d'être endommagés et les personnes qui la manipuleront risquent de se brûler. Remplir la pompe d'eau avant de la démarrer.

**⚠ AVERTISSEMENT** **Pression dangereuse. Risque d'explosion.** Ne jamais faire fonctionner la pompe si le refoulement est fermé, sinon l'eau risque de bouillir à l'intérieur de la pompe et causer une pression dangereuse, un danger d'explosion et les personnes qui manipuleront la pompe risqueront d'être ébouillantées.

1. Déposer le bouchon du té d'amorçage, puis faire le plein de la pompe. Faire le plein de toutes les tuyauteries branchées entre la pompe et le puits et s'assurer aussi que toutes les tuyauteries descendant dans le puits sont pleines d'eau. Si un té d'amorçage a été posé sur le tuyau d'aspiration, déposer son bouchon, puis faire le plein du tuyau d'aspiration. Se reporter à la Figure 5.



**Figure 5:** Amorçage de la pompe

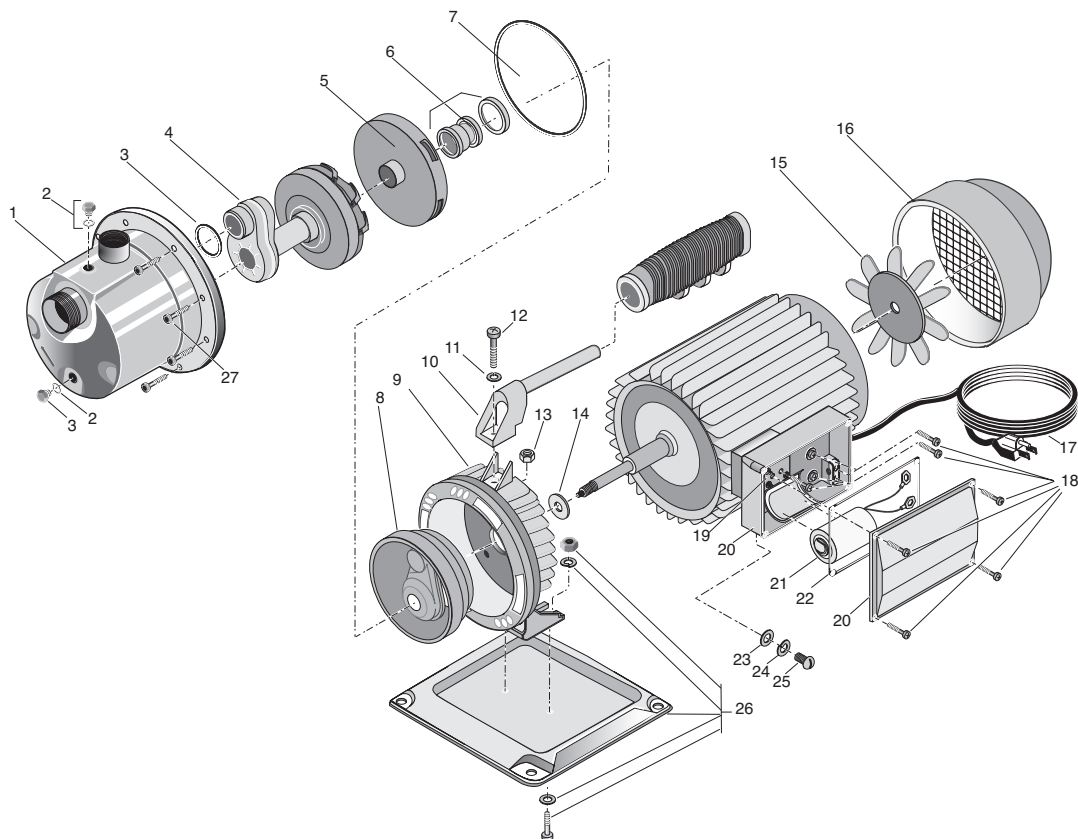
2. Reposer tous les bouchons d'amorçage.
3. Établir le courant. Démarrer la pompe. Elle doit pomper l'eau dans les 2 à 3 minutes qui suivent. Sinon l'arrêter, puis déposer les bouchons d'amorçage. Refaire le plein de la pompe et des tuyaux. Il faudra peut-être répéter cette opération plusieurs fois jusqu'à ce que tout l'air emprisonné dans les tuyaux soit chassé. Si la pompe pompe l'eau d'une hauteur de 7,60 (25 pi), il lui faudra peut-être 15 minutes pour s'amorcer.

### Félicitations pour une installation réussie.

Si l'installation n'est pas réussie, se reporter à la Section « Recherche des pannes » ou appeler un technicien de notre service à la clientèle en composant le 1- 800 -468-7867.

## Recherche des pannes

INCIDENTS	CAUSES PROBABLES	REMÈDES
Le moteur ne fonctionne pas	Le fusible est fondu ou le disjoncteur est sauté	COUPER L'ARRIVÉE DE COURANT; Remplacer le fusible ou réenclencher le disjoncteur.
Le moteur chauffe et le dispositif de protection contre les surcharges se déclenche ou bien le moteur ne fonctionne pas ou fait un bruit de bourdonnement	La tension est trop basse	Vérifier la tension alimentant la pompe.
Le moteur fonctionne, mais l'eau n'est pas pompée *  (REMARQUE : <i>Arrêter la pompe.</i> Vérifier l'amorçage avant de rechercher toute autre cause. Dévisser le bouchon d'amorçage et voir s'il y a de l'eau dans le trou d'amorçage).	Dans le cas d'une installation neuve, la pompe ne s'est pas amorcée : 1. À cause d'un mauvais amorçage 2. Parce qu'il y a des prises d'air  3. Parce que le clapet de pied fuit 4. Parce que le diamètre du tuyau est trop petit La pompe s'est désamorcée : 1. Parce qu'il y a des prises d'air  2. Parce que le niveau de l'eau est plus bas que la prise d'eau du tuyau d'aspiration L'impulseur est bouché Le clapet de pied est grippé. Les tuyaux sont gelés Le clapet de pied ou la crépine sont enfouis dans le sable ou la boue	Dans le cas d'une installation neuve :  1. Réamorcer la pompe conformément aux instructions. 2. Avec du savon ou de la crème à raser, vérifier tous les raccords du tuyau d'aspiration. 3. Remplacer le clapet de pied. 4. Remplacer le tuyau par un dont le diamètre est le même que celui des orifices d'aspiration et de refoulement de la pompe. Dans le cas d'une installation déjà en service : 1. Avec du savon, vérifier tous les raccords du tuyau d'aspiration et le joint de l'arbre. 2. Abaisser le tuyau d'aspiration dans l'eau. Réamorcer la pompe. Si, dans le puits, l'eau baisse à plus de 7,60 mètres (25 pieds), utiliser une pompe pour puits profond.  Le nettoyer. Le remplacer. Les dégeler. Les relever plus haut que la source d'eau. Les nettoyer.
*La pompe ne pompe pas à pleine capacité	Le niveau de l'eau est plus bas que celui estimé Le tuyau en acier (le cas échéant) est corrodé ou bouché par la chaux, ce qui cause un frottement excessif Le diamètre du tuyau est trop petit  La pompe n'est pas suffisamment alimentée en eau	Un éjecteur pour puits profond est peut-être requis si le niveau de l'eau dans le puits est à plus de 7,60 mètres (plus de 25 pieds). Dans la mesure du possible, le remplacer par un tuyau en plastique. Sinon, poser un tuyau en acier neuf.  Le remplacer par un tuyau dont le diamètre est le même que celui des orifices d'aspiration et de refoulement de la pompe. Ajouter plus de pointes filtrantes.



Réf.	Désignation	Qté	Numéro de pièces
1	Corps de la pompe	1	723S2290
2	Joint torique du bouchon de vidage	2	121P6090
3	Joint torique éjecteur	1	111P3640
4	Ensemble diffuseur, venturi et éjecteur	1	101P2840
5	Impulseur	1	731S2220
6	Joint mécanique complet	1	ZBR39020
7	Joint torique du corps de la pompe	1	111P1190
8	Bride	1	101P1290
9	Support intermédiaire	1	721S4460
10	Poignée	1	751S8960
11	Rondelle de la poignée	1	121P1500
12	Vis de la poignée	1	121P1600
13	Écrou de la poignée	1	121P0020
14	Défecteur d'eau	1	102P0540
15	Ventilateur de refroidissement	1	102P0570
16	Carter du ventilateur	1	721S1090
17	Cordon électrique	1	191P0560
18	Vis du support du condensateur	11	121P2060
19	Borne de mise à la terre	1	171P4070
20	Boîtier du condensateur, y compris le couvercle	1	102P2830
21	Condensateur	1	171P5430
22	Joint torique du boîtier du condensateur	1	111P1350
23	Rondelle de la vis de mise à la terre	1	121P0090
24	Rondelle-frein de la vis de mise à la terre	1	121P0920
25	Vis de mise à la terre	1	121P1280
26	Socle	1	ZBR25690
27	Vis du corps de la pompe	6	121P0340

Key No.	Part Description
1	Pump Body
2	Drain Plug with O-Ring
3	O-Ring, Nozzle
4	Diffuser, Venturi, Nozzle Assem
5	Impeller
6	Mechanical Seal, Assembly
7	O-Ring, Pump Body
8	Flange
9	Intermediate Support
10	Handle with Handle Grip
11	Washer, Handle
12	Screw, Handle
13	Lock Nut, Handle
14	Water Singer
15	Fan, Cooling
16	Fan Cover
17	Power Cord
18	Screws, Capacitor Holder
19	Grounding Lug
20	Capacitor Box W/ Cover
21	Capacitor
22	O-Ring, Capacitor Box
23	Washer, Ground Screw
24	Lockwasher, Ground Screw
25	Screw, Ground
26	Base Assembly
27	Screw, Pump Body



## ¡LEA Y SIGA LAS INSTRUCCIONES DE SEGURIDAD!

**⚠ Este es el símbolo de alerta de seguridad.** Cuando vea este símbolo en su bomba o en este manual, busque alguna de las siguientes palabras de advertencia y esté alerta a la posibilidad de lesiones personales:

**⚠ PELIGRO** advierte acerca de los peligros que **provocarán** lesiones personales graves, muerte o daños materiales considerables si se ignoran.

**⚠ ADVERTENCIA** advierte acerca de los peligros que **pueden provocar** lesiones personales graves, muerte o daños materiales considerables si se ignoran.

**⚠ PRECAUCIÓN** advierte acerca de los peligros que **provocarán** o **podrán provocar** lesiones personales o daños materiales menores si se ignoran.

La etiqueta **AVISO** indica instrucciones especiales que son importantes pero que no están relacionadas con los peligros.

**Lea y siga cuidadosamente todas las instrucciones de seguridad en este manual y en la bomba.**

Mantenga las etiquetas de seguridad en buen estado.


Reemplace las etiquetas de seguridad faltantes o dañadas.

### Advertencia de la Proposición 65 de California

**⚠ ADVERTENCIA** Este producto y accesorios relacionados contienen sustancias químicas reconocidas en el Estado de California como causantes de cáncer, malformaciones congénitas y otros daños al sistema reproductivo.

## SEGURIDAD GENERAL

- Para evitar el peligro de lesiones corporales y daños materiales graves, lea las instrucciones de seguridad con atención antes de instalar esta bomba.
- Cuando instale la bomba, observe los códigos de plomería y de electricidad locales y/o nacionales.
- ⚠ ADVERTENCIA** **Presión Peligrosa. La bomba puede explotar si se usa como bomba de refuerzo, a menos que se haya instalado una válvula de desahogo capaz de pasar todo el caudal de la bomba a 60 PSI (414 kPa). Nunca deje marchar la bomba en seco.** De lo contrario podrá dañar las piezas internas, y sobrecalentar la bomba (lo cual provocará quemaduras a las personas que estén manipulando o reparando la bomba), y anulará la garantía!

	<p><b>⚠ ADVERTENCIA</b></p> <p><b>¡Presión peligrosa! Instale una válvula de desahogo de presión en la tubería de descarga.</b></p> <p>Libere toda la presión en el sistema antes de trabajar con cualquiera de sus componentes.</p>
---	--

- ⚠ ADVERTENCIA** **Peligro de incendio o de explosión.** Para evitar el peligro de incendio y de explosión, **bombee sólo agua** con esta bomba. No la use en atmósferas que puedan contener vapores o gases inflamables.

- ⚠ ADVERTENCIA** **Peligro de quemadura.** Si queda atrapada agua en la bomba durante la operación, se podrá convertir en vapor. El vapor atrapado puede provocar explosiones y quemaduras. Nunca deje marchar la bomba con la salida cerrada u obstruida.
- Si se usa en un pozo para agua potable, siempre desinfecte el pozo y haga una prueba de la pureza de agua antes de usarla. Verifique los procedimientos de prueba con su departamento de sanidad local.
- Tanto la bomba como los tubos deben estar protegidos contra heladas. Las heladas provocarán daños y anularán la garantía.
- Esta bomba no ha sido diseñada ni concebida para bombear sustancias químicas o líquidos corrosivos. Bombee sólo agua con esta bomba.
- No deje marchar la bomba en seco. Si la bomba está seca, ocurrirán daños y la garantía quedará anulada.

## SEGURIDAD ELÉCTRICA


**⚠ La bomba viene provista de un cordón con 3 conductores con puesta a tierra.** Conéctela solamente a un tomacorriente debidamente puesto a tierra y protegido por un disyuntor de escape a tierra (GFCI). No levante la bomba por medio del cordón eléctrico.

**⚠ Asegúrese de que el voltaje del motor y el voltaje de suministro de corriente correspondan.** El voltaje de suministro debe estar entre +/- 10% del voltaje de la placa de fábrica del motor. Un voltaje incorrecto puede provocar incendios o daños graves al motor y anulará la garantía. En caso de duda, consulte a un electricista certificado.

**⚠ La bomba no es sumergible.** Mantenga el motor seco en todo momento. No lave el motor. No lo sumerja. Proteja el motor en climas húmedos.

**⚠ Si usa un cordón de alargue, use sólo un cordón trifilar aprobado por UL para interiores/exteriores, con conexión de puesta a tierra.** No permita que ninguna parte del cordón o del receptáculo quede en el agua o en lugares húmedos.

**⚠ Desenchufe la bomba antes de realizar trabajos de mantenimiento o de reparación.** Para evitar choques fatales, proceda de la siguiente manera si es necesario reparar la bomba.

<p><b>⚠ ADVERTENCIA</b></p>  <p><b>Tensión peligrosa. Puede provocar choques, quemaduras o muerte.</b> Conecte la bomba a tierra antes de conectarla al suministro de corriente eléctrica. Desconecte la corriente antes de trabajar en la bomba, el motor o el tanque.</p>	<p>A. <b>Desconecte la corriente eléctrica a la caja de salida de la bomba antes de desenchufar la bomba.</b> Los motores modernos han sido diseñados para funcionar a alta temperatura. Para evitar quemaduras cuando se repare la bomba, permita que se enfríe por unos 20 minutos después de haberla apagado, antes de realizar el trabajo.</p> <p>B. <b>Tenga mucho cuidado cuando cambie los fusibles.</b> Para reducir la posibilidad de choques eléctricos fatales, <b>NO</b> se pare sobre el agua ni ponga sus dedos en el portafusible.</p>
---	---

- Conecte** el manóstato o el motor a **tierra** antes de hacer marchar esta bomba.
- Enchufe la bomba sólo en un tomacorriente puesto a tierra con un disyuntor de escape a tierra (GFCI).

**Retener el recibo original a fin de determinar la elegibilidad para la garantía**

**Garantía limitada**

Esta Garantía Limitada entra en vigor el 1 de junio de 2011 y sustituye toda garantía sin fecha o garantía con fecha anterior al 1 de junio de 2011.

SIMER le garantiza al comprador consumidor original (el "Comprador" o "Usted") de sus productos, que éstos estarán libres de defectos en materiales y en mano de obra por un período de doce (12) meses, a partir de la fecha de la compra original del consumidor. Si dentro de los doce (12) meses a partir de la fecha de la compra inicial del consumidor, Será reparado o reemplazado a opción de la SIMER, sujeto a los términos y condiciones establecidos en la presente. Tome nota de que esta garantía limitada cubre defectos de manufactura solamente y no el desgaste común. Todos los aparatos mecánicos periódicamente necesitan repuestos y servicio para un funcionamiento correcto. Esta garantía limitada no cubre las reparaciones que se realicen cuando el uso normal haya agotado la vida útil de una pieza o del aparato.

Es necesario retener el recibo de compra original y la etiqueta de información de la garantía a fin de determinar la elegibilidad para la garantía. La elegibilidad se basa en la fecha de compra del producto original - no en la fecha del reemplazo bajo la garantía. La garantía es limitada y cubre solamente la reparación o el reemplazo del producto original adquirido, no del producto reemplazado (es decir que se permite un reemplazo por compra bajo la garantía). El comprador pagará todos los costos de remoción, instalación, mano de obra y envío necesarios, así como todo costo adicional asociado.

Si necesita piezas o resolución de problemas, NO regrese el producto a la tienda minorista. Llame el Servicio a la Clientela de SIMER al 800-468-7867.

Las reclamaciones hechas bajo esta garantía se realizarán mediante la devolución del producto (a excepción de las bombas cloacales - ver a continuación) al concesionario de venta al público en donde se haya adquirido, inmediatamente después de haber descubierto cualquier presunto defecto. SIMER entonces tomará la medida correctiva tan pronto como sea razonablemente posible. No se aceptarán solicitudes de servicio, si se reciben más de 30 días después del vencimiento de esta garantía.

La garantía no es transferible y no cubre productos utilizados en aplicaciones comerciales o de alquiler.

**Bombas cloacales**

NO devuelva una bomba cloacal (que se haya instalado) a su tienda minorista. Comuníquese con el Departamento de Atención al Cliente de SIMER. Las bombas cloacales que hayan estado en servicio y se hayan removido pueden representar un peligro de contaminación.

Si su bomba cloacal ha fallado:

- Use guantes de caucho cuando manipule la bomba;
- Para los fines de la garantía, devuelva la etiqueta del cordón de la bomba y el recibo de compra original a la tienda minorista;
- Descarte la bomba cumpliendo con todas las normas locales que correspondan para su eliminación.

**Excepciones para la garantía limitada de doce (12) meses**

Producto	Período de garantía
BW85P, M40P	90 días
2115, 2300, 2310, 2330, 2883, 2886, 2943, 2955, 2956, 2957, A5300, A5500	2 años
Bombas de pozo sumergibles de 4", 2945, 2958, 2975PC, 3075SS, 3963, 3984, 3995, 4185, 4185P, 4186, 4188, 4190	3 años
Tanque precargado del sistema de agua, 3985, 3986, 3988, 3989, 5910, 5950, 5955, 5965, 5975	5 años

**Términos y condiciones generales; Limitación de recursos**

Usted deberá pagar por todos los gastos de mano de obra y de envío necesarios para reemplazar el producto cubierto por esta garantía. Esta garantía no se aplicará en las siguientes situaciones: (1) caso de fuerza mayor (2) productos que, a sólo juicio de SIMER hayan sido sometidos a negligencia, abuso, accidente, mala aplicación, manejo indebido o alteraciones; (3) fallas debido a instalación, operación, mantenimiento o almacenamiento inadecuados; (4) aplicaciones, usos o servicios que no sean normales o aprobados; (5) fallas provocadas por corrosión, herrumbre u otros materiales extraños en el sistema, o una operación a presiones que excedan los máximos recomendados.

Esta garantía establece la única obligación de SIMER y el recurso exclusivo del Comprador con respecto a los productos defectuosos. SIMER NO SE HARÁ RESPONSABLE DE NINGÚN DAÑO CONSECUENTE, INCIDENTAL O CONTINGENTE.

LAS GARANTÍAS LIMITADAS QUE ANTECEDEN SON EXCLUSIVAS Y EN LUGAR DE TODA OTRA GARANTÍA EXPLÍCITA E IMPLÍCITA, INCLUYENDO, PERO SIN LIMITARSE A LAS GARANTÍAS IMPLÍCITAS DE COMERCIABILIDAD E IDONEIDAD PARA UN FIN ESPECÍFICO. LAS GARANTÍAS LIMITADAS QUE ANTECEDEN NO SE EXTENDERÁN MÁS ALLÁ DEL PERÍODO DE DURACIÓN INDICADO EN LA PRESENTE.

Algunos Estados no permiten la exclusión o limitación de daños incidentales o consecuentes o de limitaciones de tiempo sobre garantías implícitas, de modo que es posible que las limitaciones o exclusiones que preceden no correspondan en su caso. Esta garantía le otorga derechos legales específicos y es posible que Usted también tenga otros derechos que pueden variar de un Estado al otro.

**SIMER • 293 Wright Street • Delavan, WI U.S.A. 53115**  
**Teléfono: 800-468-7867 • Fax: 800-390-5351 • www.simerpump.com**

**ESPECIFICACIONES**

Suministro de potencia requerido..... 115 Voltios  
 Servicio del motor ..... Continuo  
 Requisito de circuito (mínimo) ..... 15.0 amperios  
 Adaptador de descarga..... 1"

**INSTALACIONES DE LA BOMBA DE CHORRO EN POZOS POCO PROFUNDOS**

- La profundidad vertical debe ser de 25 pies o menor.
- Se debe tener una tubería desde el pozo a la caja de la bomba.
- Se puede instalar en un pozo perforado o taladrado, o en un pozo hincado.

**REEMPLAZO DE UNA BOMBA USADA**

**⚠ ADVERTENCIA** Tensión peligrosa. Puede causar choque, quemaduras o muerte. Desconecte la corriente eléctrica hacia la bomba antes de trabajar con la bomba o con el motor.

Esta bomba puede reemplazar la bomba de chorro para pozos poco profundos, Modelo 3825. Se deberá volver a usar el manóstato y cablear la bomba al mismo.

1. Drene y saque la bomba usada. Verifique que las tuberías antiguas no tengan restos de oxidación, cal, herrumbre, etc. y cámbielas de ser necesario.
2. Instale la bomba en el sistema. Asegúrese de que todas las uniones de las tuberías en la tubería de aspiración estén herméticas y estancas. Si la tubería de aspiración puede aspirar aire, la bomba no podrá extraer agua desde el pozo.
3. Ajuste la altura de montaje de la bomba para que las conexiones de plomería no ejerzan presión sobre la unidad de la bomba. Apoye las tuberías de manera que la unidad de la bomba no deba soportar el peso de las tuberías o de los accesorios.

**Usted acaba de completar la tubería del pozo para su nueva bomba de chorro para pozos poco profundos. Pase a la página 6 para la información sobre las conexiones de la tubería de descarga y del tanque.**

**Cómo sellar las juntas de tuberías**

Use solamente cinta de teflón para hacer las conexiones roscadas a la bomba. **No use compuestos para juntas de tuberías en bombas de plástico;** éstas pueden reaccionar con el plástico en los componentes de la bomba. Asegúrese de que todas las juntas de tubería en la tubería de aspiración sean herméticas y estancas. *Si la tubería de aspiración puede aspirar aire, la bomba no podrá extraer agua del pozo.*

**DESEMPEÑO**

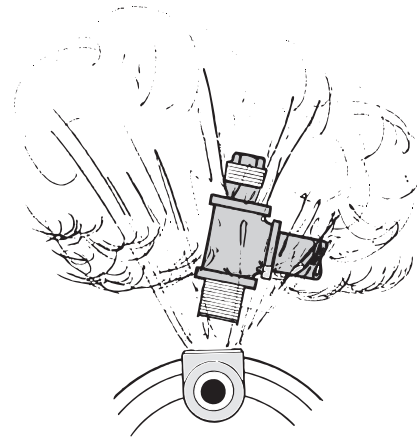
Modelo	Amperios	Presión de salida						Máximas PSI (libras por pulgada cuadrada)
		0	10	20	30	40	50	
2825SS	9.8	10	8.5	8.0	7.5	7.0	6.0	80

**Si necesita repuestos o asistencia llame al Servicio al Cliente de Simer, 1-800-468-7867**

**REFUERZO DE LA PRESIÓN DE LAS AGUAS PÚBLICAS**

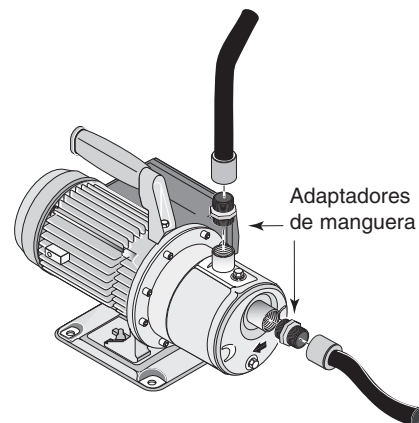
**⚠ ADVERTENCIA** **Presión Peligrosa.** Nunca haga marchar la bomba contra una descarga cerrada ya que esto hará que el agua dentro de la bomba hierva, provocando una presión peligrosa en la bomba, con riesgo de explosión y la posibilidad de escaldar a personas cercanas. Consulte la Figura 1.

Cuando use la bomba para lavar a alta presión, emplee sola-



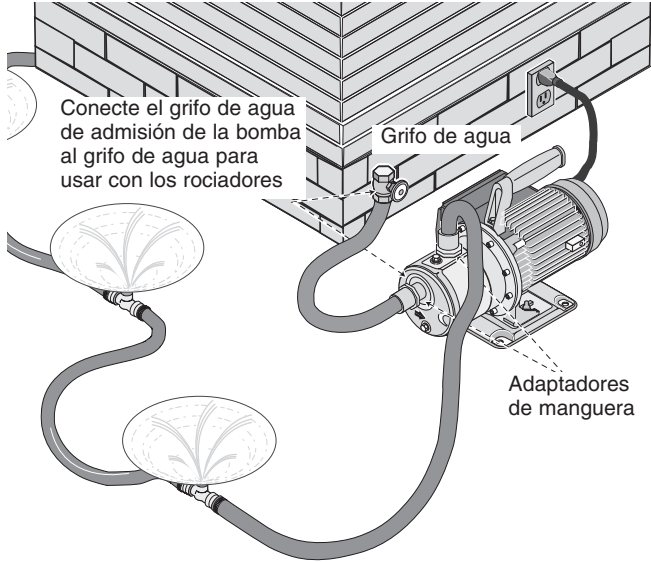
**Figura 1: No haga marchar la bomba con la salida cerrada**

mente una manguera o tubería reforzada para alta presión como línea de descarga. Cuando use una manguera de jardín, instale adaptadores en la aspiración y la descarga de la bomba. La manguera de aspiración requerirá dos extremos hembra. Use una manguera de suministro estándar para lavarropas o modifique un trozo corto de una manguera de jardín estándar de 1" como línea de aspiración (Consulte la Figura 2).



**Figura 2: Instalación del adaptador de manguera**

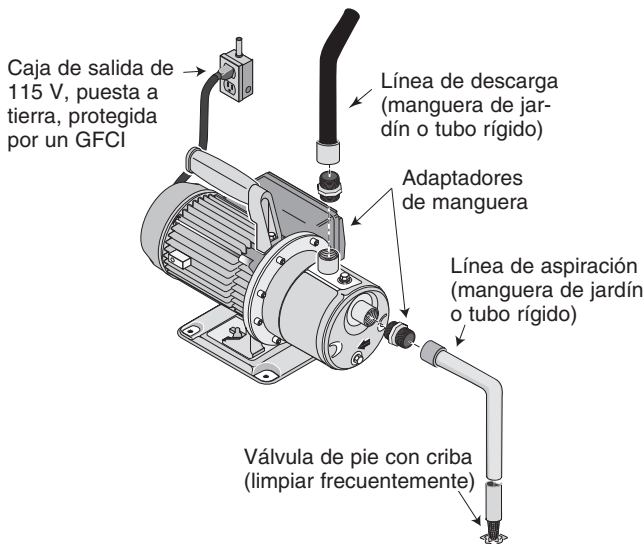
**⚠ ADVERTENCIA** **Presión Peligrosa.** No cierre la manguera ni los rociadores mientras la bomba esté funcionando, ya que la manguera o el cabezal rociador pueden explotar.



**Figura 3:** Conecte la bomba a una espiga para usar con los rociadores. Conecte con los adaptadores suministrados con la bomba

## TUBERÍA

Tanto los orificios de aspiración como de descarga están fileteados para roscas de 1" NPT. Si emplea mangueras, use adaptadores de manguera. Consulte la Figura 2. No use una manguera en la aspiración si está bombeando desde lagos, corrientes de agua o estanques. La manguera se desplomará y la bomba fallará. Instale una criba con una válvula de pie en el extremo de la línea de aspiración. Inspeccione y limpie la criba con frecuencia (Figura 4).



**Figura 4:** Instalación de la criba y de la válvula de pie

**AVISO:** Una fuga de aire en la tubería de aspiración puede introducir aire aunque no haya fuga de agua. Verifique que no haya fugas de aire ni bolsas de aire en la tubería de aspiración.

## CEBADURA / OPERACIÓN

**AVISO:** No permita que la bomba marche en seco, ya que si la bomba marcha sin agua, se puede dañar el impulsor y el sello, provocando fugas o inundaciones, y la garantía quedará anulada. Todas las conexiones de aspiración deben ser herméticas. Verifique que la altura de aspiración no supere los 25 pies (7.6 m). Llene la unidad de la bomba por el orificio de cebadura antes de encender la bomba.

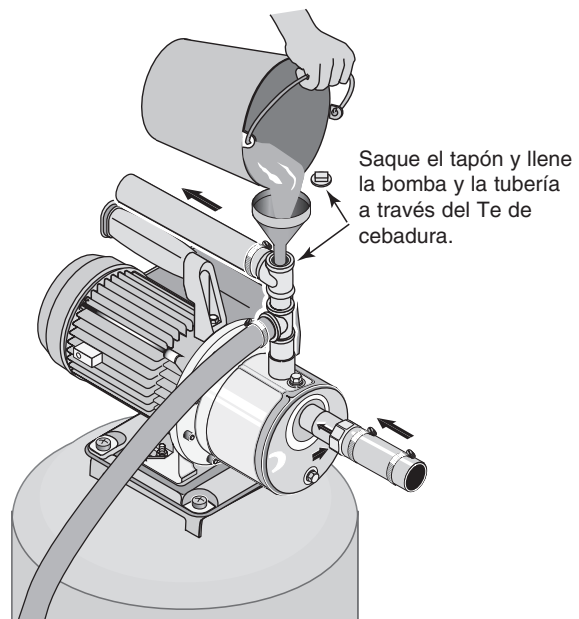
Encienda la bomba; deberá bombear agua en menos de 10 minutos (dependiendo del largo de la manguera de aspiración y de la altura de la bomba sobre el agua).

## PREPARACIÓN PARA ENCENDER LA BOMBA (CONSULTE LA FIGURA 5)

**⚠ PRECAUCIÓN** **Peligro de quemadura. Nunca haga marchar la bomba en seco.** Si la bomba marcha sin agua puede provocar sobrecalentamiento, puede dañar el sello y, posiblemente, provoque quemaduras a las personas que la estén manipulando. Llene la bomba con agua antes de encenderla.

**⚠ ADVERTENCIA** **Presión peligrosa.** Nunca haga marchar una bomba hacia una descarga cerrada, ya que eso puede hacer hervir el agua dentro de la bomba, produciendo una presión peligrosa en la unidad, un riesgo de explosión y posibles escaldaduras a las personas que estén manipulando la bomba.

1. Saque el tapón de cebadura del Te de cebadura y llene la bomba (ver la figura 5). Llene toda la tubería entre la bomba y el pozo, asegurándose de que toda la tubería en el pozo esté llena. Si también ha instalado un Te de cebadura en la tubería de aspiración, saque el tapón del Te y llene la tubería de aspiración. Consulte la Figura 5.



**Figura 5:** Cebadura de la bomba



2. Vuelva a colocar todos los tapones de llenado.
3. ¡Actívela! Encienda la bomba. Si no se obtiene agua después de 2 ó 3 minutos, detenga la bomba y retire los tapones de llenado. Vuelva a llenar la bomba y la tubería. Es posible que deba repetir esto varias veces para sacar todo el aire atrapado en la tubería. La cebadura de una bomba que levanta agua a 25 pies, puede demorar hasta 15 minutos.

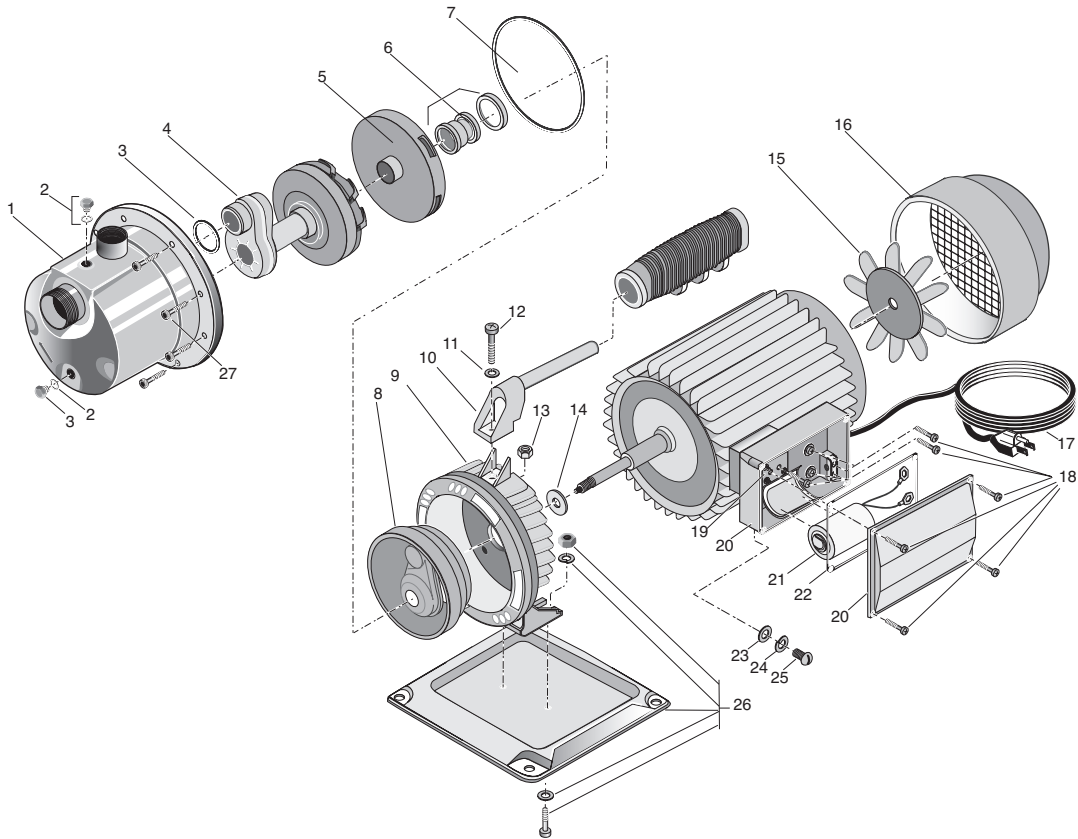
**Felicitaciones por una instalación exitosa.**

Si no tuvo éxito, consulte la sección de Localización de Fallas (a continuación) o llame a nuestro personal técnico de atención al cliente, al 1-800-468-7867.

## Localización de fallas

SÍNTOMA	POSIBLE(S) CAUSA(S)	ACCIÓN CORRECTIVA
El motor no marcha	Fusible quemado o disyuntor disparado	DESCONECTE LA CORRIENTE ELÉCTRICA; Reemplace el fusible o reposicione el disyuntor.
El motor marcha y se recalienta y la protección contra sobrecarga se dispara o no marcha y solamente zumba	El voltaje es demasiado bajo	Verifique el voltaje suministrado a la bomba.
El motor marcha pero no entrega agua*  * (Nota: <i>Detenga la bomba; luego verifique la cebadura antes de buscar otras causas. Destornille el tapón de cebadura y verifique si hay agua en el orificio de cebadura.</i> )	La bomba durante una instalación nueva no se cebó debido a: 1. Cebadura incorrecta 2. Fugas de aire  3. Fugas en la válvula de pie 4. El tamaño del tubo es demasiado pequeño La bomba ha perdido cebadura debido a: 1. Fugas de aire  2. Nivel del agua debajo de la admisión de la tubería de aspiración  El impulsor está obstruido La válvula de pie está atascada en la posición cerrada Las tuberías están congeladas La válvula de pie y/o la criba están enterradas en arena o lodo	En una nueva instalación:  1. Vuelva a cebar según las instrucciones. 2. Verifique todas las conexiones en la línea de aspiración con agua jabonosa o con crema de afeitarse. 3. Reemplace la válvula de pie. 4. Reemplace la tubería por tubos del tamaño de los orificios de aspiración y de descarga en la bomba.  En instalaciones que ya estén en uso: 1. Verifique todas las conexiones en la línea de aspiración y el sello del eje con agua jabonosa. 2. Baje la línea de aspiración dentro del agua y vuelva a cebar. Si el nivel del agua que se retira supera los 25' (7.6 m), se necesitará una bomba para pozos profundos.  Limpie el impulsor. Reemplace la válvula de pie.  Descongele las tuberías. Eleve la válvula de pie y/o la criba por encima del fondo de la fuente de agua. Limpie la válvula de pie y la criba.
*La bomba no entrega agua a toda capacidad	El agua que se bombea es menor de lo estimado La tubería de acero (si se usó) está corroída u oxidada, provocando un exceso de fricción El tamaño de la tubería es demasiado pequeño La bomba no está recibiendo suficiente agua	Es posible que se necesite un chorro para pozos profundos si el agua que se bombea está a más de 25' (7.6 m) de profundidad al agua. Reemplace por una tubería de plástico en donde sea posible, de lo contrario por una nueva tubería de acero.  Coloque una nueva tubería usando el tamaño debido en función de los orificios de aspiración y de descarga en la bomba. Agregue puntos filtrantes adicionales.





Clave No.	Descripción de la pieza	Cantidad	Número de pieza
1	Unidad de la bomba	1	723S2290
2	Aro tórico, tapón de desagüe	2	121P6090
3	Aro tórico, tobera	1	111P3640
4	Unidad de difusor, venturi y tobera	1	101P2840
5	Impulsor	1	731S2220
6	Unidad de sello mecánico	1	ZBR39020
7	Aro tórico, Unidad de la bomba	1	111P1190
8	Brida	1	101P1290
9	Soporte intermedio	1	721S4460
10	Manija	1	751S8960
11	Arandela, Manija	1	121P1500
12	Tornillo, Manija	1	121P1600
13	Contratuercas, Manija	1	121P0020
14	Deflector del agua	1	102P0540
15	Ventilador, refrigerante	1	102P0570
16	Cubierta del ventilador	1	721S1090
17	Cordón eléctrico	1	191P0560
18	Tornillos, Soporte del capacitor	11	121P2060
19	Saliente de puesta a tierra	1	171P4070
20	Caja del capacitor con cubierta	1	102P2830
21	Capacitor	1	171P5430
22	Aro tórico, Caja del capacitor	1	111P1350
23	Arandela, Tornillo de puesta a tierra	1	121P0090
24	Contratuercas, Tornillo de puesta a tierra	1	121P0920
25	Tornillo, Tierra	1	121P1280
26	Unidad de base	1	ZBR25690
27	Tornillo, Unidad de la bomba	6	121P0340

