



293 Wright St., Delavan, WI 53115

Phone: 1-800-468-7867

1-800-546-7867

Fax: 1-800-390-5351

Web Site: <http://www.simerpump.com>

OWNER'S MANUAL

Pedestal Sump Pump

Models 5020B, 5023SS

NOTICE D'UTILISATION

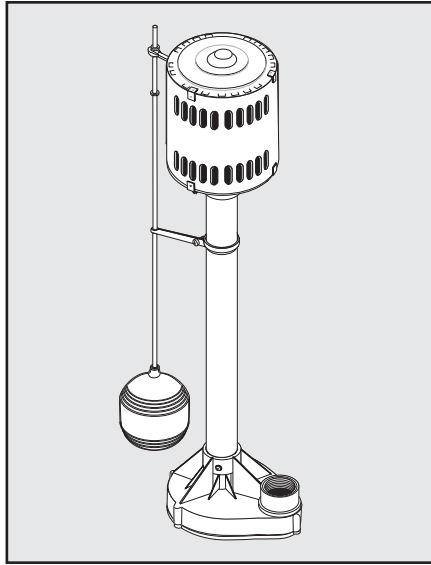
Pompe d'assèchement sur pied

Modèles 5020B, 5023SS

MANUAL DEL USUARIO

Bomba de Pie para Sumideros

Modelos 5020B, 5023SS



Mod. 5020B, 5023SS

Installation/Operation/Parts

For further operating, installation, or maintenance assistance:

Call 1-800-468-7867

English Pages 2-6

Installation/Fonctionnement/Pièces

Pour plus de renseignements concernant l'utilisation, l'installation ou l'entretien,

Composer le 1 (800) 468-4867

Français Pages 7-11

Instalación/Operación/Piezas

Para mayor información sobre el funcionamiento, instalación o mantenimiento de la bomba:

Llame al 1-800-468-7867

EspañolPaginas 12-16

DESCRIPTION

This Pedestal Sump Pump is designed for home sumps. Unit is equipped with a 3-prong grounding-type power cord. Sleeve bearings on motor shaft never need lubrication. Automatic reset thermal protection. NOTICE: This unit is not designed for applications involving salt water or brine! Use with salt water or brine will void warranty.

SPECIFICATIONS

Power supply required115V, 60 HZ. Horsepower1/3 Motor dutyIntermittent Liquid Temp. Range32°F to 70°F(0°-21°C) Individual Branch Circuit Required GFCI Class A15 Amps Motor full load (maximum)3.5 Amps Discharge: Plastic Models.....1-1/4" FNPT Cast Iron Models.....1-1/2" FNPT

PERFORMANCE

Table with 4 columns: GPH (LPH) AT TOTAL FEET (M), 5 Ft. (1.52), 10 Ft. (3.05), 15 Ft. (4.57), 20 Ft. (6.09). Rows show flow rates for 3000 (11 355L), 2460 (9 312L), 1620 (6 131L), and 0 (0L).

GENERAL SAFETY

Electrically powered sump pumps normally give many years of trouble-free service when correctly installed, maintained, and used. However, unusual circumstances (interruption of power to the pump, dirt/debris in the sump, flooding that exceeds the pump's capacity, electrical or mechanical failure in the pump, etc.) may prevent your pump from functioning normally. To prevent possible water damage due to flooding, consult your retailer about a secondary AC sump pump, a DC backup sump pump, and/or a high water alarm. See the "Troubleshooting Chart" in this manual for information about common sump pump problems and remedies. For more information, see your retailer or call customer service at 1-800-468-7867.

- 1. Know the pump application, limitations, and potential hazards.

WARNING Do not use in explosive atmospheres. Pump water only with this pump. Failure to follow this warning can result in personal injury and/or property damage.

- 2. Disconnect power before servicing. 3. Release all pressure within system before servicing any component. 4. Drain all water from system before servicing.

CAUTION Risk of flooding. If a flexible discharge hose is used, pump may move when motor starts. If it moves far enough so that switch hits side of sump, switch may stick and prevent pump from starting. Make sure pump is secured so it cannot move around in sump.

- 5. Secure discharge line before starting pump. An unsecured discharge line will whip, possibly causing personal injury and/or property damage. 6. Check hoses for weak or worn condition before each use, making certain all connections are secure.

- 7. Inspect sump, pump and system components monthly. Keep free of debris and foreign objects. Perform routine maintenance as required.

WARNING FIRE HAZARD - Do not store or rest objects on or near motor or switch linkage. Keep all flammable objects or liquids away from motor.

- 8. Provide means of pressure relief for pumps whose discharge line can be shut-off or obstructed. 9. Personal Safety: a. Wear safety glasses at all times when working with pumps. b. Keep work area clean, uncluttered and properly lighted - replace all unused tools and equipment. c. Keep visitors at a safe distance from work area. d. Make workshop child-proof - with padlocks, master switches, and by removing starter keys. 10. When wiring an electrically driven pump, follow all electrical and safety codes, as well as most recent National Electrical Code (NEC) and Occupational Safety and Health Act (OSHA). 11. This equipment is only for use on 115 volt (single phase) and is equipped with an approved 3-conductor cord and 3-prong, grounding-type plug.

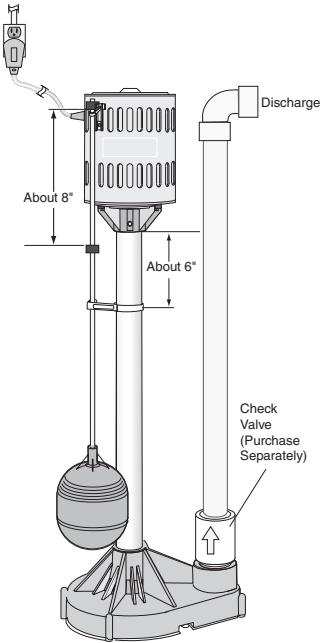
WARNING To reduce risk of electric shock, be certain that it is connected to properly grounded, grounding-type receptacle.

CAUTION Never connect green (or green and yellow) wire in cord to a live terminal!

- Where a 2-prong wall receptacle is encountered, it must be replaced with properly grounded 3-prong receptacle installed in accordance with the National Electrical Code and local codes and ordinances. 12. All wiring should be performed by a qualified electrician. 13. Make certain that power source conforms to requirements of your equipment. 14. Protect electrical cord from sharp objects, hot surfaces, oil, and chemicals. Avoid kinking cord. Replace or repair damaged or worn cords immediately. 15. Do not touch an operating motor. Modern motors can operate at high temperatures. 16. Do not handle pump or pump motor with wet hands or when standing on wet or damp surface, or in water.

WARNING If your basement has water or moisture on floor, do not walk on wet area until all power has been turned off. If shut-off box is in basement, call electric company to shut-off service to house, or call local fire department for instructions. Remove pump and repair or replace. Failure to follow this warning can result in fatal electrical shock.

CAUTION Do not use in hazardous or explosive locations.



a 3-wire cord set with grounding-type plug for use in a 3-wire, grounded outlet. Do not cut off the round grounding prong. For safety, outlet must always be electrically grounded to a suitable electrical ground such as a grounded water pipe or a properly grounded metallic raceway or ground wire system.

6. Locate Float Rod Guide (Key No. 6) about 6" (16cm) below motor. Clamp guide to column with screw provided.

⚠ WARNING Risk of flooding. Be sure that guide is securely clamped so that float rod is vertical and can move up and down freely. If float is angled or binds, pump may not start, allowing flooding to occur.

7. Screw float onto threaded end of rod. Threads on rod will cut threads into corrosion resistant float.
8. Insert plain end of float rod up through eye of rod guide.
9. Slide one rod stop on float rod before passing rod through eye of pump switch. Slide 2nd rod stop on rod after passing through eye of switch. Position 2nd rod stop flush with top of rod.
10. Position lower rod stop to within 8"(20cm) of switch lever arm. With lower rod stop in this position, pump will automatically cycle at approximately 2-1/2" (6cm) off and 10-12" (25-30cm) on. For faster cycling, move lower rod stop closer to switch lever arm.
11. If pump discharge line is exposed to outside subfreezing atmosphere, then portion of line exposed must be installed so any water remaining in pipe will drain to outfall by gravity. Failure to do this can cause water trapped in discharge to freeze which could result in damage to pump.
12. Install an in-line check valve to prevent flow backwards through pump after pump shuts off. **NOTICE:** If using a check valve without an air bleed hole, drill a 1/8" (3.2mm) hole in discharge pipe just above pump body but below the check valve to prevent air locks.
13. After all piping and controls have been installed, unit is ready for operation.
14. Run pump through one cycle to check float switch operation.

⚠ WARNING The pump motor is equipped with automatic resetting thermal protector and may restart unexpectedly. Protector tripping is an indication of motor overloading as a result of operating pump at low heads (low discharge restriction), excessively high or low voltage, inadequate wiring, incorrect motor connections, or a defective motor.

INSTALLATION

1. This unit can be installed in sump pit with minimum diameter of 12" (30cm) and depth of 12" (30cm). Sump pit may be constructed of tile, concrete, steel or plastic. Check local codes for approved materials.
2. Install pump on solid, level foundation, as near as possible to center of sump pit. Do not hang pump from discharge pipe or power cord.

⚠ CAUTION Pump must be level (column must be vertical) when operating. If motor is tilted, internal start/run switch may overheat and damage motor.

3. Pump should not be installed on clay, earth or sand surfaces. Clean sump pit of small stones and gravel which could clog the pump. Keep pump inlet screen clear.
4. Thread discharge pipe into pump body carefully to avoid stripping or crossing threads.

NOTICE: Do not use ordinary pipe joint compound on plastic pipe or pump. Pipe joint compound can attack plastics and damage pump.

5. To reduce motor noise and vibrations, a short length of rubber hose (1-5/8" (41mm) I.D., e.g. radiator hose) can be connected into discharge line near pump using suitable clamps.

⚠ WARNING Risk of electric shock. Pump is designed for 115V, 60 HZ operation and requires an individual branch circuit of 15 amperes capacity. It is supplied with

OPERATION

⚠ WARNING Do not touch sump pump, pump motor, water, or discharge piping when pump is connected to electrical power. Always disconnect pump cord (power) before handling.

1. Plug this unit into a 115V outlet, on an individual branch circuit, with a Class A, 15 amp GFCI (Ground Fault Circuit Interrupter). Consult your local electrician for information and availability.
2. Fill sump pit with water, pump will start automatically when lower rod stop actuates switch lever arm. When upper rod stop actuates

switch lever arm, pump will stop.
NOTICE: Do not allow pump to run dry.

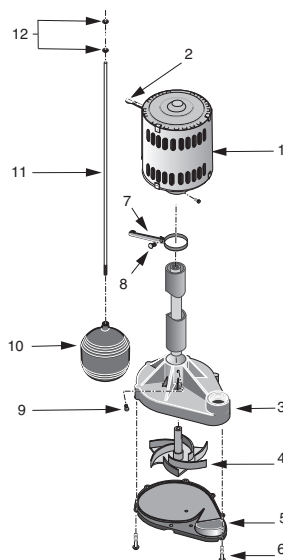
⚠ CAUTION Before attempting to service, always disconnect power from unit.

3. The motor is equipped with an automatic reset thermal protector to protect unit from overheating. When motor has cooled sufficiently, switch will reset automatically and restart motor. Repeated tripping could be caused by low voltage, long extension cords, clogged impeller, very low head or lift, etc. Cycling of protector will cause eventual motor burnout.

Troubleshooting

⚠ CAUTION Unplug pump from power receptacle before working on pump.

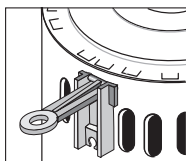
SYMPTOM	POSSIBLE CAUSE(S)	CORRECTIVE ACTION
Motor will not start or run	No electrical power Low line voltage Faulty automatic switch Float or float rod stuck Waterlogged float Motor overload tripped Electrical malfunction	Check fuse, circuit breaker, power cord and electrical outlet. If voltage wiring under recommended minimum, check size of wiring from main source. If OK, contact Electric Company or local Hydro authority. Operate switch manually and replace if inoperative. Check to see float is not rubbing sump wall or float rod rubbing or stuck against sump cover. Replace float if filled with water. If pump has been running and stops before sump is emptied, automatic overload may have tripped. Check inlet screen to be sure impeller is not jammed. If so, free impeller of obstruction. Check power cord, automatic switch and motor. Replace faulty parts as needed.
Motor runs but pump will not pump	Inlet clogged Discharge line plugged Low line voltage Pump airlocked Broken impeller or shaft	Check inlet and clean if needed. Clear discharge line and check valve for obstruction. Refer to Corrective Action on low line voltage in above section. Drill a 1/8" (3.2mm) hole in discharge pipe just above pump body but below the check valve. Replace impeller or shaft as needed.
Pump starts and stops too often	Improper positioning of float rod stop Faulty automatic switch	Lower float rod stop. Replace automatic switch.
Pump is noisy	Improper installation Noisy motor	Refer to No. 5 in Installation Instructions. Replace pump.
Pump will not stop running	Debris around float or float rod stuck Faulty automatic switch Motor defective	Remove debris from sump. Check to see float is not rubbing sump wall or float rod rubbing or stuck against sump cover. Replace switch. Replace pump.



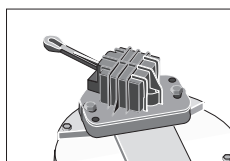
Models 5023SS and 5020B

Key No.	Part Description	No. Used	Model	
			5023SS	5020B
1	Motor	1	*	*
2	Switch	1	†	†
3	Volute (Pump Body)	1	S1-31B	PS1-25P
4	Impeller	1	PS5-269P	PS5-269P
5	Base Plate	1	PS4-17P	PS4-17P
6	Screws (Base Plate)	8	U30-571BT	U30-934ZP
7	Float Rod Guide	1	RP0005249	RP0005249
8	Screw (Guide Rod)	1	U30-929ZP	U30-929ZP
9	Screw (Base)	1	U30-946PH	SC004-116
10	Float	1	FT0013-63	FT0013-63
11	Float Rod	1	RP005168S	RP005168S
12	Float Stop	2	RP0005248	RP0005248

* If the motor fails, replace the entire pump. † Select switch model number below.



Switch FP0020



Switch FP0018-7D

RETAIN ORIGINAL RECEIPT FOR YOUR RECORDS.

LIMITED WARRANTY

SIMER warrants to the original consumer purchaser ("Purchaser" or "You") of its products that they are free from defects in material and workmanship for a period of twelve (12) months from the date of the original consumer purchase. If, within twelve (12) months from the original consumer purchase, any such product shall prove to be defective, it shall be repaired or replaced at SIMER's option, subject to the terms and conditions set forth below. The original purchase receipt and product warranty information label are required to determine warranty eligibility. Eligibility is based on purchase date of original product – not the date of replacement under warranty. The warranty is limited to repair or replacement of product only – Purchaser pays all removal, installation, labor, shipping, and incidental charges.

For parts or troubleshooting assistance, DO NOT return product to your retail store. Contact SIMER Customer Service at 1-800-468-7867 / 1-800-546-7867.

Claims made under this warranty shall be made by returning the product (except sewage pumps, see below) to the retail outlet where it was purchased immediately after the discovery of any alleged defect. SIMER will subsequently take corrective action as promptly as reasonably possible. No requests for service will be accepted if received more than 30 days after the warranty expires.

SEWAGE PUMPS

DO NOT return a sewage pump (that has been installed) to your retail store. Contact SIMER Customer Service. Sewage pumps that have seen service and been removed carry a contamination hazard with them.

If your sewage pump has failed:

- Wear rubber gloves when handling the pump;
- For warranty purposes, return the pump's cord tag and original receipt of purchase to the retail store;
- Dispose of the pump according to local disposal ordinances.

Exceptions to the Twelve (12) Month Limited Warranty

Product	Warranty Period
BW85P, CM10, CMK, M40, M40P	90 days
2300, 2310, 2330, 2520ULST, 2943, 2955, 2956, 2957, 2960, 5023SS, A5500	2 Years
4" Submersible Well Pumps, 2945, 2958, 2975PC, 2985, 3075SS, 3983, 3984	3 Years
Pre-Charge Water System Tank, 3985, 3986	5 Years
3963, 3988, 3995, 3997	Lifetime

General Terms and Conditions

You must pay all labor and shipping charges necessary to replace product covered by this warranty. This warranty does not apply to the following: (1) acts of God; (2) products which, in SIMER's sole judgement, have been subject to negligence, abuse, accident, misapplication, tampering, or alteration; (3) failures due to improper installation, operation, maintenance or storage; (4) atypical or unapproved application, use or service; (5) failures caused by corrosion, rust or other foreign materials in the system, or operation at pressures in excess of recommended maximums.

This warranty sets forth SIMER's sole obligation and purchaser's exclusive remedy for defective products.

SIMER SHALL NOT BE LIABLE FOR ANY CONSEQUENTIAL, INCIDENTAL, OR CONTINGENT DAMAGES WHATSOEVER. THE FOREGOING WARRANTIES ARE EXCLUSIVE AND IN LIEU OF ALL OTHER EXPRESS AND IMPLIED WARRANTIES, INCLUDING BUT NOT LIMITED TO THE IMPLIED WARRANTIES OF MERCHANTABILITY AND FITNESS FOR A PARTICULAR PURPOSE. THE FOREGOING WARRANTIES SHALL NOT EXTEND BEYOND THE DURATION PROVIDED HEREIN.

Some states do not allow the exclusion or limitation of incidental or consequential damages or limitations on how long an implied warranty lasts, so the above limitations or exclusions may not apply to You. This warranty gives You specific legal rights and You may also have other rights which vary from state to state.

SIMER • 293 Wright St., Delavan, WI U.S.A. 53115
Phone: 1-800-468-7867 / 1-800-546-7867 • Fax: 1-800-390-5351
Web Site: <http://www.simerpumps.com>

DESCRIPTION

Cette pompe d'assèchement sur pied est conçue pour les puisards d'habitation. Elle est équipée d'un cordon électrique avec fiche de terre à 3 broches. Les manchons de palier de l'arbre moteur sont lubrifiés à vie. Le moteur est protégé par un interrupteur thermique à réenclenchement automatique.

REMARQUE : Cette pompe n'est pas conçue pour pomper de l'eau salée ni de la saumure! La garantie sera annulée si cette pompe est utilisée pour pomper de l'eau salée ou de la saumure.

CARACTÉRISTIQUES TECHNIQUES

Courant d'alimentation requis.....115 V, 60 Hz
Puissance nominale.....1/3 Hp
MoteurIntermittent
Gamme de températures
du liquide.....de 0 à 21° C (de 32 à 70° F)
Circuit de dérivation individuel
requis Classe A - Disjoncteur de
mise à la terre défectueuse requis15 Amp
Charge complète du moteur (maximum)3,5 Amp
Refoulement:

Modèles Plastiques.....1-1/4 po FNPT
Modèles en Fonte.....1-1/2 po FNPT

RENDEMENT

L/H (GL/H) À UNE HAUTEUR DE (EN M/EN PI)			
1,52 m (5 pi)	3,05 m (10 pi)	4,57 m (15 pi)	6,09 m (20 pi)
11355 l (3000 gl)	9312 l (2460 gl)	6132 l (1620 gl)	0 (0 l)

CONSIGNES GÉNÉRALES DE SÉCURITÉ

Si elle est bien installée, bien entretenue et bien utilisée, une électropompe assure de nombreuses années de service sans entretien. Toutefois, toutes circonstances inhabituelles (interruption du courant alimentant la pompe, saletés ou débris dans le puisard, débits de crue dépassant la capacité de la pompe, pannes électriques ou mécaniques de la pompe, etc.) peuvent empêcher la pompe de fonctionner normalement. Pour empêcher les dégâts causés par l'eau suite à une inondation, s'adresser au détaillant sur la possibilité de poser une deuxième pompe de puisard fonctionnant sur le courant alternatif ou une pompe de puisard de secours fonctionnant sur le courant continu et/ou une alarme de niveau élevé d'eau. Se reporter au «Tableau de recherche des pannes» de ce Manuel pour plus de renseignements concernant les problèmes courants des pompes de puisard et leurs remèdes. Pour plus de renseignements, s'adresser au marchand ou appeler le service à la clientèle en composant le 1 800 468-7867.

1. Il faut connaître les applications, les limitations et les dangers de la pompe.

⚠ AVERTISSEMENT Ne pas utiliser cette pompe dans des atmosphères

inflammables. Ne pomper que de l'eau avec cette pompe. Le non-respect de cet avertissement peut entraîner des blessures corporelles et des dommages matériels.

2. Couper le courant avant d'intervenir sur la pompe.
3. Dissiper toute la pression dans les tuyauteries avant toute intervention sur les éléments de la pompe.
4. Vidanger l'eau des tuyauteries avant d'intervenir sur la pompe.

⚠ ATTENTION Risque d'inondation. Si vous utilisez un tuyau d'évacuation

flexible, la pompe risque de se déplacer quand le moteur se met en marche. Si à la suite de cela, l'interrupteur vient heurter le côté du puisard, il se peut que l'interrupteur y adhère et empêche la mise en marche de la pompe. Assurez-vous de bien caler la pompe,

- pour qu'elle ne se déplace pas dans le puisard.
5. Caler la canalisation de refoulement avant de démarrer la pompe. Une canalisation non calée peut donner des coups de fouet qui risquent de provoquer des blessures corporelles et des dommages matériels.
6. Avant chaque utilisation, vérifier l'état des tuyaux et s'assurer que tous les raccords sont bien serrés.
7. Inspecter tous les mois le puisard, la pompe et les éléments du système. Éliminer tout débris et corps étranger. Procéder à l'entretien de routine requis.

⚠ AVERTISSEMENT Danger d'incendie. Ne pas placer d'objets sur ou à côté du moteur ou du raccord de l'interrupteur. Tenir le moteur à l'écart de tout objet ou liquide inflammable.

8. Prévoir un moyen de réduire la pression sur les pompes dont la canalisation de refoulement peut être fermée ou bouchée.
9. Sécurité des personnes :
 - a. Toujours porter des lunettes de sécurité lorsque l'on travaille sur une pompe.
 - b. Garder la zone de travail propre, dégagée et bien éclairée ; ranger tous les outils et tout l'équipement après utilisation.
 - c. Ne pas laisser les visiteurs s'approcher de la zone de travail.
 - d. Prendre des mesures de sécurité dans l'atelier pour protéger les enfants : poser des cadenas et des interrupteurs généraux, et enlever les clés de mise en marche.
10. Lors du câblage d'une pompe électrique, suivre tous les codes électriques et les codes de sécurité locaux.
11. Cette pompe ne peut être branchée que sur du courant monophasé de 115 volts. Elle est équipée d'un cordon d'alimentation à 3 conducteurs et d'une fiche de terre à trois bornes.

⚠ AVERTISSEMENT Pour réduire les risques d'électrocution, s'assurer que la pompe est branchée sur une prise de terre installée correctement.

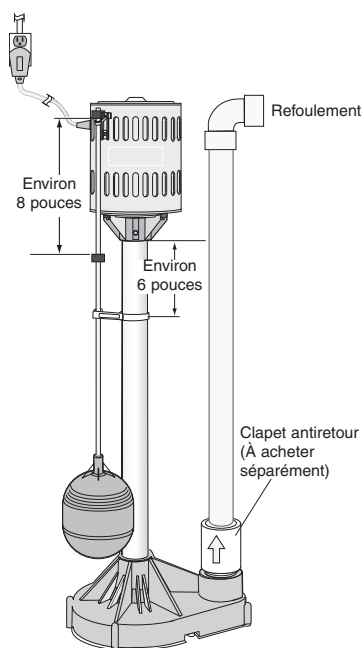
⚠ ATTENTION Ne jamais brancher le fil vert (ou vert et jaune) du cordon sur une borne sous tension !

Si seule une prise de courant à 2 bornes est disponible, elle doit absolument être remplacée par une prise à 3 broches correctement mise à la terre et installée selon les codes et réglementations locaux.

12. Le câblage doit être installé par un électricien qualifié.
13. S'assurer que le courant d'alimentation est conforme à celui sur lequel doit fonctionner la pompe.
14. Protéger les cordons électriques des objets tranchants, des surfaces chaudes, de l'huile et des produits chimiques. Éviter de tordre le cordon. Remplacer immédiatement tout cordon endommagé ou usé.
15. Ne pas toucher un moteur qui fonctionne. Les moteurs peuvent fonctionner par les températures élevées.
16. Ne pas toucher à une pompe ni à un moteur de pompe les mains humides, ou les pieds dans l'eau ou sur une surface humide.

⚠ AVERTISSEMENT Si le sol de votre sous-sol est humide ou mouillé, coupez le courant avant de marcher dessus. Si le coffret disjoncteur se trouve au sous-sol, appelez la compagnie d'électricité qui coupera le courant, ou appelez les pompiers qui vous donneront les instructions à suivre. Déposez la pompe; réparez-la ou remplacez-la. Le non-respect de cet avertissement peut entraîner la mort par électrocution.

⚠ ATTENTION Ne pas utiliser cette pompe dans des endroits dangereux ou des atmosphères inflammables.



INSTALLATION

1. Cette pompe peut être installée dans un puisard de vidange d'un diamètre et d'une profondeur de 30 cm (12 po) minimum. Le puisard peut être carrelé ou revêtu de béton, d'acier ou de plastique. Voir les codes locaux pour connaître les matériaux autorisés.
2. Installer la pompe sur des fondations solides et à niveau aussi près que possible du centre du puisard. Ne pas suspendre la pompe au tuyau de refoulement ou au câble électrique.

ATTENTION La pompe doit être à niveau (la colonne doit être verticale). Si le moteur est incliné, le commutateur interne de marche-arrêt peut chauffer et l'endommager.

3. Ne pas installer la pompe sur des sols en argile, en terre ou en sable. Nettoyer le puisard en enlevant les cailloux et les graviers qui pourraient boucher la pompe. Dégager la crépine d'aspiration de toute obstruction.
4. Visser le tuyau de refoulement dans le corps de la pompe en faisant bien attention de ne pas arracher les filets ni de les fausser.

REMARQUE : Ne pas utiliser de pâte à joint ordinaire sur les tuyaux ou les raccords de la pompe en plastique. La pâte à joint peut attaquer le plastique et endommager la pompe.

5. Pour réduire les bruits et vibrations du moteur, un bout de tuyau en caoutchouc (D.I. de 41 mm (1-5/8 po), par exemple une durit) peut être relié à l'aide de colliers appropriés au circuit de refoulement qui se trouve près de la pompe.

AVERTISSEMENT Risques d'électrocution. La pompe ne doit être branchée que sur un circuit de dérivation individuel de 15 ampères, 115 volts et 60 Hz mis à la terre. Elle est livrée avec un cordon électrique à 3 fils avec

fiche de terre pour usage sur une prise de courant à 3 fils avec borne de terre. Ne pas couper la borne de terre. Par mesure de sécurité, la prise de courant doit toujours être mise à la terre sur un support électrique qui convient tel qu'une canalisation d'eau mise à la terre ou bien un guide-fils ou un système de fils à la terre correctement mis à la terre.

6. Placer le guide de tige du flotteur (n° réf. 6) à environ 16 cm (6 po) au-dessous du moteur. Attacher le guide sur la colonne avec la vis fournie.

AVERTISSEMENT Risques de débordement.

Le guide doit être correctement fixé pour que la tige du flotteur soit en position verticale et puisse monter et descendre librement. Si le flotteur est incliné ou bloqué, la pompe risque de ne pas démarrer, ce qui peut provoquer un débordement.

7. Viser le flotteur sur l'extrémité filetée de la tige. Le filetage de la tige taraudera un trou dans le flotteur résistant à la corrosion.
8. Insérer l'extrémité sans filetage de la tige du flotteur dans l'œillet du guide de tige.
9. Glisser un dispositif d'arrêt sur la tige du flotteur avant d'insérer la tige dans l'œillet de l'interrupteur de la pompe. Glisser un second dispositif d'arrêt sur la tige à sa sortie de l'œillet de l'interrupteur. Placer le second dispositif d'arrêt à fleur de l'extrémité supérieure de la tige.
10. Placer le dispositif d'arrêt inférieur à environ 20 cm (8 po) du levier de l'interrupteur. Lorsque le dispositif d'arrêt inférieur se trouve dans cette position, le cycle de la pompe se règle automatiquement à 6 cm (2-1/2 po) pour l'arrêt et à 25 cm (10-12 po) pour la marche. Pour un cycle plus rapide, placer le dispositif d'arrêt inférieur plus près du levier de l'interrupteur.
11. Si une partie de la canalisation de refoulement de la pompe est soumise à des températures extérieures inférieures à zéro, l'installer de façon à ce qu'elle se vidange par gravité. Sinon l'eau restant dans la canalisation risque de geler et d'endommager la pompe.
12. Installer un clapet de retenue en ligne pour éviter le reflux du liquide dans la pompe après l'arrêt de cette dernière.

NOTA : Si un clapet de non retour sans orifice de purge d'air est utilisé, percer un trou de 3,2 mm (1/8 de pouce) dans le tuyau de refoulement, juste au-dessus du corps de la pompe, mais sous le clapet de non retour, afin d'empêcher la formation de poches d'air.

13. Après l'installation de toutes les canalisations et commandes, l'appareil est prêt à être mis en service.
14. Faire faire un cycle complet à la pompe pour vérifier le bon fonctionnement de l'interrupteur du flotteur.

AVERTISSEMENT Le moteur de la pompe est équipé d'un dispositif de protection thermique à réenclenchement automatique et peut redémarrer de façon inattendue. Le déclenchement de ce dispositif de protection est une indication de la surcharge du moteur provoquée par le fonctionnement de la pompe à une hauteur de refoulement trop faible, avec un voltage trop élevé ou trop bas, avec un câblage défectueux, de mauvaises connexions sur le moteur, ou bien avec un moteur défectueux.

FONCTIONNEMENT

⚠ AVERTISSEMENT Ne pas toucher la pompe, le moteur de la pompe, l'eau ou la canalisation de refoulement quand la pompe est branchée sur le courant électrique. Toujours débrancher le cordon d'alimentation (électrique) de la pompe avant de la manier.

1. Brancher cette pompe dans la prise du courant d'un circuit de dérivation individuel protégé par un disjoncteur de fuite à la terre de 15 ampères, classe A. Consultez un électricien local pour tout renseignement.
2. Remplir d'eau le puisard ; la pompe démarre automatiquement quand le dispositif d'arrêt inférieur actionne le levier de l'interrupteur. Elle s'arrête quand le dispositif d'arrêt supérieur actionne le levier de l'interrupteur.

REMARQUE : Veiller à ce que la pompe ne s'assèche pas.

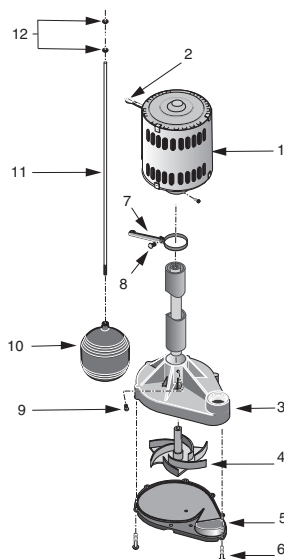
⚠ ATTENTION Avant d'entreprendre tout entretien, toujours débrancher la pompe.

3. Le moteur est équipé d'un dispositif de protection thermique à réenclenchement automatique qui protège l'appareil de la surchauffe. Après un refroidissement suffisant du moteur, l'interrupteur s'enclenche automatiquement et redémarre le moteur. Le déclenchement répété de ce dispositif peut être causé par une basse tension, des rallonges longues, une turbine obstruée, une hauteur d'élevation ou de refoulement très faible, etc... Le réenclenchement répété du dispositif de protection risque de faire griller le moteur.

Diagnostic des pannes

⚠ ATTENTION Débrancher la pompe avant de travailler sur la pompe.

SYMPTÔME	CAUSE(S) PROBABLE(S)	MESURE CORRECTIVE
Le moteur ne démarre pas ou ne tourne pas	Panne d'électricité Basse tension de la ligne Interrupteur automatique défectueux Flotteur ou tige de flotteur bloquée Flotteur noyé Interrupteur de surcharge déclenché Mauvais fonctionnement électrique nécessaire.	Vérifier fusible, disjoncteur, cordon électrique et prise électrique. Si le voltage est au-dessous du minimum recommandé, vérifier la force du câblage depuis sa source. S'il n'y a pas de problème, contacter la Compagnie d'électricité ou les services hydro-électriques locaux. Faire fonctionner l'interrupteur manuellement et le remplacer si nécessaire. Vérifier si le flotteur frotte contre la paroi du puisard, ou si la tige du flotteur frotte ou est bloquée contre le couvercle du puisard. Remplacer le flotteur s'il est plein d'eau. Si la pompe s'arrête en plein fonctionnement avant que le puisard ne soit vide, l'interrupteur automatique de surcharge s'est peut-être déclenché. Vérifier le filtre de la crépine pour voir si la roue motrice n'est pas bloquée. La dégager de toute obstruction si nécessaire. Vérifier cordon électrique, interrupteur automatique et moteur. Remplacer les pièces défectueuses si
Le moteur tourne mais la pompe pompe pas	Crépine bouchée Canalisation de refoulement bouchée Basse tension de la ligne Bouchon d'air dans la pompe Impulseur ou arbre cassé	Vérifier la crépine et la nettoyer si nécessaire. Nettoyer la canalisation de refoulement et vérifier si la valve est bloquée. Se reporter à la mesure corrective indiquée pour la basse tension de ligne dans la section ci-dessus. Percer un trou de 3,2 mm (1/8 de pouce) dans le tuyau de refoulement, juste au-dessus du corps de la pompe, mais plus bas que le clapet anti-retour. Remplacer l'impulseur ou l'arbre, selon le besoin.
La pompe démarre et s'arrête trop souvent	Mauvaise position de l'arrêt de la tige du flotteur Interrupteur automatique défectueux	Baisser l'arrêt de la tige du flotteur. Remplacer l'interrupteur automatique.
La pompe fait du bruit	Mauvaise installation Moteur bruyant	Se reporter au N° 5 des instructions d'installation. Remplacer la pompe.
La pompe tourne sans s'arrêter	Débris autour du flotteur ou tige du flotteur bloquée Interrupteur automatique défectueux Moteur défectueux	Retirer les débris du puisard. Vérifier si le flotteur frotte contre la paroi du puisard ou si la tige du flotteur frotte ou est bloquée contre le couvercle du puisard. Remplacer l'interrupteur. Remplacer la pompe.

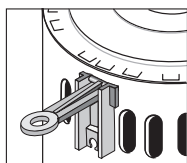


Modèles 5023SS et 5020B

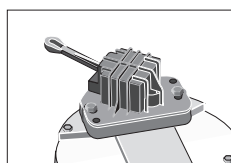
Réf.	Désignation des pièces	Qte	Modèle	
			5023SS	5020B
1	Moteur	1	*	*
2	Interrupteur	1	†	†
3	Volute (Corps de la pompe)	1	S1-31B	PS1-25P
4	Impulseur	1	PS5-269P	PS5-269P
5	Plaque du socle	1	PS4-17P	PS4-17P
6	Vis (De la plaque du socle)	8	U30-571BT	U30-934ZP
7	Guide de la tige du flotteur	1	RP0005249	RP0005249
8	Vis (Du guide de la tige)	1	U30-929ZP	U30-929ZP
9	Vis (Du socle)	1	U30-946PH	SC004-116
10	Flotteur	1	FT0013-63	FT0013-63
11	Tige du flotteur	1	RP005168S	RP005168S
12	Butée du flotteur	2	RP0005248	RP0005248

* Si le moteur tombe en panne, remplacer la pompe.

† Choisir le modèle d'interrupteur en se reportant ci-dessous.



Interrupteur FP0020



Interrupteur FP0018-7D

CONSERVER L'ORIGINAL DU REÇU POUR TOUTE RÉFÉRENCE ULTÉRIEURE.**GARANTIE LIMITÉE**

SIMER garantit à l'acheteur/au consommateur d'origine (l'Acheteur) que ses produits sont exempts de tout vice de matériau et de fabrication. Cette garantie est valable pendant douze (12) mois à partir de la date d'achat d'origine.

Si, dans les douze (12) mois suivant la date d'achat d'origine, un produit se révèle défectueux, il sera réparé ou remplacé, à la discrétion de SIMER, conformément aux modalités et conditions exposées ci-dessous. Le reçu de l'achat d'origine et l'étiquette d'information sur la garantie sont requis pour déterminer la recevabilité de la réclamation au titre de la garantie. La recevabilité de la réclamation se base sur la date de l'achat d'origine du produit, et non sur la date d'un éventuel remplacement sous garantie. La garantie est limitée à la réparation ou au remplacement du produit uniquement. L'Acheteur assume les frais de retrait, d'installation, de transport et tous les frais accessoires.

Pour obtenir des pièces ou de l'aide technique, NE PAS retourner le produit au détaillant. Contacter le service à la clientèle de SIMER au 1-800-468-7867 / 1-800-546-7867.

Les réclamations au titre de cette garantie doivent être effectuées en retournant le produit (à l'exception des pompes d'eau d'égout, voir ci-dessous) au détaillant où il a été acheté, et ce, immédiatement après la découverte de la défaillance supposée. SIMER prendra les mesures correctives nécessaires dans un délai rapide et raisonnable. Aucune demande de réparation ne sera acceptée plus de 30 jours après l'expiration de la garantie.

POMPES D'EAUX D'ÉGOUT

NE PAS RETOURNER une pompe d'eaux d'égout (qui a été installée) au détaillant. Communiquer avec le service à la clientèle de SIMER. Les pompes d'eaux d'égout qui ont été utilisées, puis retirées présentent un risque de contamination.

En cas de défaillance de la pompe d'eaux d'égout :

- Porter des gants en caoutchouc pour manipuler la pompe.
- À des fins de garantie, retourner l'étiquette figurant sur le cordon de la pompe et l'original du reçu au détaillant.
- Mettre la pompe au rebut conformément à la réglementation locale.

Exceptions à la garantie limitée de douze (12) mois

Produit	Période de garantie
BW85P, CM10, CMK, M40, M40P	90 jours
2300, 2310, 2330, 2520JULST, 2943, 2955, 2956, 2957, 2960, 5023SS, A5500	2 ans
Pompe pour puits submersibles de 4 pouces, 2945, 2958, 2975PC, 2985, 3075SS, 3983, 3984	3 ans
Réservoir préchargé de système d'eau, 3985, 3986,	5 ans
3963, 3988, 3995, 3997	À vie

Modalités et conditions générales

L'Acheteur doit payer tous les frais de main d'œuvre et de transport nécessaires au remplacement du produit garanti couvert par cette garantie. Cette garantie ne s'applique pas à ce qui suit : (1) Les catastrophes naturelles; (2) Les produits qui, selon SIMER, ont fait l'objet d'une négligence, d'une utilisation abusive, d'un accident, d'une mauvaise application ou d'une altération; (3) Les défaillances dues à une installation, une utilisation, un entretien ou un entreposage inappropriés; (4) Une application, une utilisation ou une réparation atypique ou non approuvée; (5) Les défaillances causées par la corrosion, la rouille ou d'autres matériaux étrangers au système, ou par une utilisation à une pression supérieure au maximum recommandé.

Cette garantie établit la responsabilité unique de SIMER et le recours exclusif de l'Acheteur en cas de produit défectueux.

SIMER NE POURRA ÊTRE TENUE RESPONSABLE DE TOUT DOMMAGE INDIRECT OU CONSÉCUTIF QUEL QU'IL SOIT.

LES PRÉSENTES GARANTIES SONT EXCLUSIVES ET REMPLACENT TOUTE AUTRE GARANTIE EXPRESSE OU IMPLICITE, Y COMPRIS, MAIS SANS S'Y LIMITER, CELLE DE QUALITÉ MARCHANDE OU D'APTITUDE DU PRODUIT À UN EMPLOI PARTICULIER. LES PRÉSENTES GARANTIES NE PEUVENT SE PROLONGER AU-DELÀ DE LA PÉRIODE DE GARANTIE INDIQUÉE ICI.

Certains États ne permettent pas l'exclusion ou la limitation des dommages indirects ou consécutifs, ni les limitations relatives à la durée des garanties implicites. Par conséquent, il se peut que les limitations ou les exclusions ci-dessus ne s'appliquent pas. Cette garantie procure des droits juridiques précis à l'Acheteur. Cependant, il est possible de bénéficier d'autres droits, qui varient selon l'État.

SIMER • 293 Wright St., Delavan, WI U.S.A. 53115

Téléphone : 1 800 468-7867 / 1 800 546-7867 • Télécopieur : 1 800 390-5351

Courriel : info@simerpumps.com • Site Web : <http://www.simerpumps.com>

DESCRIPCIÓN

Esta Bomba de Pie para Sumideros está diseñada para sumideros domésticos. La unidad está equipada con un cable de alimentación de tres púas con contacto a tierra. Los cojinetes de manga del eje del motor nunca requieren lubricación. Protección térmica de restablecimiento automático.

NOTA: Esta unidad no ha sido diseñada para uso con agua salada o salubre. El uso con agua salada o salubre anulará la garantía

ESPECIFICACIONES

Energía eléctrica necesaria115V, 60 Hz
 Caballos de fuerza1/3
 Funcionamiento del motorIntermitente
 Margen de temperatura del líquido 32 a 70 °F (0–21 °C)
 Requiere un ramal individual GFCI Clase A15 amps
 Carga Completa del motor (máxima)3,5 amps
 Descarga: Modelo de Plástico.....1-1/4" FNPT
 Modelo de Hierro Forjado.....1-1/2" FNPT

RENDIMIENTO

GPH (Galones Por Hora) (LPH - Litros Por Hora) POR TOTAL DE PIES (M)			
5 pies (1,52 m)	10 pies (3,05 m)	15 pies (4,57 m)	20 pies (6,09 m)
3000 (11355 l)	2460 (9312 l)	1620 (6131 l)	0 (0 l)

INFORMACIONES GENERALES

SOBRE SEGURIDAD

Las bombas de sumidero eléctricas por lo regular duran muchos años sin sufrir problemas de servicio, cuando son instaladas, mantenidas y usadas correctamente. Sin embargo, las situaciones inusuales (interrupción del suministro eléctrico que va a la bomba, tierra o suciedad en el sumidero, inundación superior a la capacidad de la bomba, fallas eléctricas y mecánicas, etc.), pueden evitar que su bomba funcione como acostumbra. Para evitar posibles daños ocasionados por inundación de agua, consulte a su representante de ventas sobre la instalación de una bomba de sumidero con CA secundaria, una bomba de sumidero de respaldo con CD, y/o una alarma de alto nivel de agua. Consulte la "Tabla de solución de problemas" contenida en este manual para información sobre problemas comunes de la bomba de sumidero y soluciones. Para mayor información, acuda con su representante de ventas o llame al centro de servicio a clientes al 1-800-468-7867.

1. Infórmese acerca de las aplicaciones, limitaciones y peligros potenciales de la bomba.

⚠ ADVERTENCIA No utilice la bomba en atmósferas explosivas. Utilice esta bomba para bombear agua solamente. Ignorar esta advertencia puede ocasionar daños personales y/o materiales.

- Desconecte la bomba antes de hacer reparaciones o realizar tareas de mantenimiento.
- Libere la presión existente dentro del sistema antes de efectuar el mantenimiento de cualquier componente.
- Drene toda el agua del sistema antes de efectuar tareas de mantenimiento.

⚠ CUIDADO Peligro de inundación. Si se utiliza una manguera de descarga flexible, puede que la bomba se mueva al encenderse el motor. Si al moverse la bomba ésta causa que el interruptor roce un lado del sumidero, puede que el interruptor se atasque impidiendo que la bomba funcione. Cerciórese de que la bomba esté bien asegurada para que no choque contra el sumidero.

- Asegure la tubería de descarga antes de poner en funcionamiento la bomba. Si la tubería de descarga está suelta puede "latigüear", ocasionando posibles daños personales y/o materiales.
- Inspeccione las mangueras antes de usar la bomba, para asegurarse de que están en buen estado, y verifique que las conexiones estén firmes.
- Inspeccione mensualmente el sumidero, la bomba y los componentes del sistema. Manténgalos libres de residuos y objetos extraños. Realice el mantenimiento periódico que sea necesario.

⚠ ADVERTENCIA Peligro de Incendio – No guarde ni coloque objetos sobre o cerca del motor o interruptor de enlace. Mantenga todo objeto o líquido inflamable lejos del motor.

- Proporcione medios alternativos para liberar la presión de las bombas cuya tubería de descarga puede taparse u obstruirse.
- Seguridad personal:
 - Use gafas protectoras en todo momento cuando trabaje con las bombas.
 - Mantenga el área de trabajo limpia, ordenada y bien iluminada – retire del lugar las herramientas y equipos que no se usen.
 - Mantenga a los visitantes alejados del área de trabajo.
 - Haga que su taller sea a prueba de niños – con candados, llaves maestras y retirando siempre las llaves de encendido.
- Cuando haga el cableado de una bomba eléctrica, observe todos los códigos locales de electricidad y seguridad.
- Este equipo es para ser usado únicamente con 115 voltios (monofásico) y está equipado con un cable aprobado de tres conductores y enchufe de tres púas con contacto a tierra.

⚠ ADVERTENCIA Para reducir los riesgos de choque eléctrico asegúrese de que la bomba esté conectada a una toma correctamente conectada a tierra.

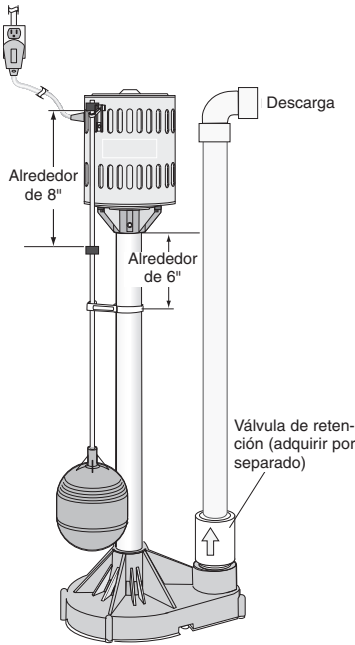
⚠ CUIDADO ¡Nunca conecte cables verdes (o verdes y amarillos) a un terminal con corriente!

Donde haya una toma de pared para enchufes de dos púas, deberá ser reemplazada por una toma para enchufes de tres púas correctamente conectada a tierra, de acuerdo con los códigos y las ordenanzas locales.

- Todas las tareas de cableado deben ser efectuadas por electricistas calificados.
- Asegúrese de que la fuente de energía concuerda con los requerimientos de su equipo.
- Proteja el cable eléctrico de objetos afilados, superficies calientes, aceites y productos químicos. Evite enredar el cable. Reemplace o repare inmediatamente los cables dañados o gastados.
- No toque un motor en funcionamiento. Los motores pueden funcionar a temperaturas altas.
- No toque la bomba o el motor de la bomba con las manos mojadas o mientras esté parado sobre superficies húmedas o mojadas, o en el agua.

⚠ ADVERTENCIA Si su sótano tiene agua o humedad en el piso, no camine sobre la superficie húmeda hasta que se hayadesconectado la electricidad. Si la caja eléctrica está en el sótano, llame a la compañía eléctrica para que corte la electricidad de la casa, o llame al departamento de bomberos para solicitar instrucciones. Retire la bomba y repárela o reemplácela. Ignorar estas instrucciones puede originar choques eléctricos fatales.

⚠ CUIDADO No use la bomba en lugares peligrosos o explosivos.



INSTALACIÓN

1. Esta unidad puede instalarse en un pozo de sumidero de un mínimo de 12" (30 cm) de diámetro y 12" (30 cm) de profundidad. El pozo de sumidero puede estar construido de azulejos, concreto, acero o plástico. Verifique los códigos locales para establecer cuáles son los materiales aprobados.
2. Instale la bomba sobre una base sólida y nivelada, tan cerca como sea posible del centro del sumidero. No cuelgue la bomba de la tubería de descarga o del cable de alimentación.

⚠ CUIDADO La bomba debe estar nivelada (la columna debe estar vertical)

mientras funciona. Si el motor está inclinado, el interruptor interno de arranque/funcionamiento puede recalentarse y dañar al motor.

3. La bomba no debe ser instalada sobre superficies de arcilla, tierra o arena. Limpie el sumidero de piedras pequeñas o gravilla que puedan tapar la bomba. Mantenga limpia la rejilla de entrada de la bomba.

4. Atomille la tubería de descarga en el cuerpo de la bomba, evitando cuidadosamente de raspar o torcer las roscas.

NOTA: No utilice compuestos ordinarios para conexiones de tubos sobre el tubo plástico o la bomba. Los compuestos para conexiones de tubos pueden dañar tanto el plástico como la bomba.

5. Para reducir el ruido y las vibraciones del motor puede conectarse una manguera de caucho corta (1-5/8" [41 mm] de diámetro interno, p. ej. manguera de radiador) a la tubería de descarga cerca de la bomba, empleando grapas adecuadas.

⚠ ADVERTENCIA Peligro de choque eléctrico. La bomba está diseñada para funcionar con 115V, 60 Hz y requiere un ramal individual de 15 amperios de capacidad. Viene

- equipada con un cordón de tres cables y enchufe de tres púas para uso en tomas con contacto a tierra para enchufes de tres púas. No corte la púa de contacto a tierra. Para mayor seguridad, la toma eléctrica siempre debe estar conectada a tierra a un medio conveniente para la electricidad, tal como una tubería de agua enterrada, o un canal metálico de cables de conducción o un sistema de conexión a tierra.
6. Ubique la Guía de la Varilla de Flotación (No. 6), a unas 6" (16 cm) por debajo del motor. Instale la guía en la columna con el tornillo provisto.

⚠ ADVERTENCIA Peligro de inundación.

- Asegúrese de que la guía esté sujeta firmemente para que la varilla de flotación quede en posición vertical y pueda moverse de arriba abajo libremente. Si el flotador está inclinado o se dobla, la bomba puede no arrancar y provocar inundaciones.
7. Enrosque el flotador al extremo con rosca de la varilla. La rosca de la varilla cortará la rosca en el flotador anticorrosivo.
 8. Inserte el otro extremo de la varilla (sin rosca) en el ojo de la guía de la varilla.
 9. Coloque un tope en la varilla de flotación antes de pasar la varilla a través del ojo del interruptor de la bomba. Coloque un segundo tope en la varilla después de pasarla a través del ojo del interruptor. Sitúe el segundo tope al mismo nivel que el extremo de la varilla.
 10. Ubique el tope inferior de la varilla a unas 8" (20 cm) del brazo de la palanca del interruptor. Con el tope inferior de la varilla en esta posición, la bomba tendrá ciclos automáticos de aproximadamente 2-1/2" (6 cm) afuera y 10-12" (25-30 cm) adentro. Para un ciclo más rápido, sitúe el tope inferior de la varilla más cerca del brazo de la palanca del interruptor.
 11. Si la tubería de descarga está expuesta a una atmósfera externa de temperaturas inferiores al punto de congelamiento, parte de la tubería expuesta debe instalarse de manera tal que el agua que permanezca adentro drene a una boca de descarga mediante gravedad. Ignorar esta indicación puede ocasionar el congelamiento del agua atrapada en la tubería de descarga, lo cual puede a su vez dañar la bomba.
 12. Instale una válvula de control interna para impedir el retroceso de líquidos en dirección a la bomba, una vez que la misma se apaga.

NOTA: Si usted usa una válvula de retención sin orificio de purga de aire, perforo un orificio de 1/8 pulg. (3.2 mm) en la tubería de descarga justo por encima del cuerpo de la bomba, pero por debajo de la válvula de retención, para evitar la creación de bolsas de aire.

13. Una vez instaladas todas las tuberías y controles, la unidad está lista para funcionar.
14. Haga funcionar la bomba durante un ciclo para verificar el funcionamiento del interruptor flotador.

⚠ ADVERTENCIA El motor de la bomba está equipado con un protector térmico automático de restablecimiento y puede volver a arrancar inesperadamente. Si el protector salta es una indicación de que el motor está sobrecargado porque la bomba está funcionando con baja caída (restricción de baja descarga), voltaje excesivamente alto o bajo, cableado eléctrico inadecuado, conexiones del motor incorrectas o de que el motor es defectuoso.

FUNCIONAMIENTO

⚠ ADVERTENCIA No toque la bomba, el motor de la bomba, la tubería de agua o de descarga cuando la bomba está conectada a la fuente de energía eléctrica. Siempre desconecte el cable de la bomba (alimentación) antes de tocarla.

1. Enchufe esta unidad en un tomacorriente de 115 voltios, en un ramal individual, con un disyuntor de escape a tierra Clase A de 15 amperios. Consulte a su electricista local para mayor información y disponibilidad.
2. Llene el sumidero con agua. La bomba arrancará automáticamente cuando el tope inferior de la varilla active el brazo de la palanca del interruptor. Cuando el tope superior de la varilla active el brazo de la palanca del interruptor, la bomba

dejará de funcionar.

NOTA: No permita que la bomba funcione sin agua.

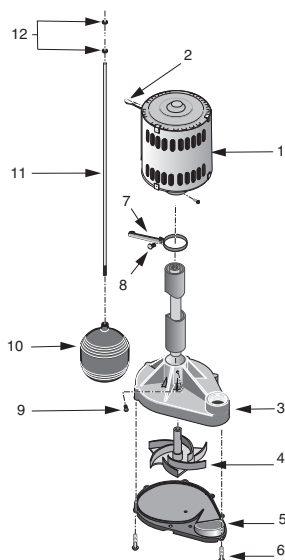
⚠ CUIDADO Antes de intentar reparar la bomba, desconéctela siempre de la fuente de energía.

3. El motor está equipado con un protector térmico automático de restablecimiento para proteger la unidad de recalentamientos. Cuando el motor se haya enfriado lo suficiente, el interruptor se reactivará automáticamente y el motor volverá a arrancar. Si el interruptor salta repetidamente puede deberse a bajo voltaje, cables de extensión muy largos, impulsor tapado, una caída muy baja o carga baja, etc. La desconexión del protector causará el quemado del motor.

Solución de problemas

⚠ CUIDADO Desconecte la bomba de la fuente de alimentación eléctrica antes de efectuar cualquier trabajo en la misma.

SÍNTOMA	CAUSA(S) PROBABLE(S)	ACCIÓN CORRECTIVA
El motor no arranca ni funciona	No hay electricidad Bajo voltaje en la línea Interruptor automático defectuoso Flotador o varilla del flotador atascados Flotador anegado Saltó la protección de sobrecarga Defecto eléctrico defectuosas según sea necesario.	Inspeccione el fusible, el interruptor de circuito, el cable de alimentación y la toma eléctrica. Si el voltaje del cableado eléctrico está por debajo del mínimo recomendado, verifique el tamaño de los cables desde la fuente de alimentación. Si el cableado está bien, comuníquese con la compañía eléctrica o la autoridad de recursos hidrológicos. Accione el interruptor manualmente y reemplácelo si no funciona. Asegúrese de que el flotador no roce contra la pared del sumidero y que la varilla del flotador no roce o esté atascada contra la tapa del sumidero. Reemplace el flotador si está saturado de agua. Si la bomba ha estado funcionando y se para antes de vaciar al sumidero, el protector de sobrecarga puede haber saltado. Inspeccione la rejilla de entrada para asegurarse de que el impulsor no está atascado. Si lo estuviera, libere el impulsor de obstrucciones. Inspeccione el cable de alimentación, el interruptor automático y el motor. Reemplace las partes
El motor funciona pero la bomba no bombea	Entrada tapada Tubería de descarga tapada Bajo voltaje en la línea Burbujas de aire en la bomba Impulsor o eje quebrado	Inspeccione la entrada y límpiela si fuera necesario. Limpie la tubería de descarga e inspeccione la válvula de control para ver si hay obstrucciones. Refiérase a la acción correctora referente a bajo voltaje en la línea en la sección anterior. Taladre un agujero de 3,2 mm (1/8") en la tubería de descarga, justo arriba del cuerpo de la bomba, pero debajo de la válvula de retención. Reemplace el impulsor o el eje según sea necesario.
La bomba arranca y se para demasiado a menudo	Ubicación incorrecta del tope de la varilla de flotación Interruptor automático defectuoso	Ubique más abajo el tope inferior de la varilla del flotador. Reemplace el interruptor automático.
La bomba es muy ruidosa	Instalación incorrecta Motor ruidoso	Refiérase al No. 5 en las instrucciones de instalación. Reemplace la bomba.
La bomba no deja de funcionar	Residuos alrededor del flotador o varilla del flotador atascada Interruptor automático defectuoso Motor defectuoso	Retire los residuos del sumidero. Verifique que el flotador no roce la pared del sumidero ni que la varilla del flotador roce o esté atascada en la tapa del sumidero. Reemplace el interruptor. Reemplace la bomba.

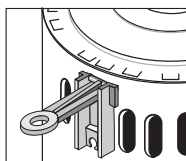


Modelos 5023SS y 5020B

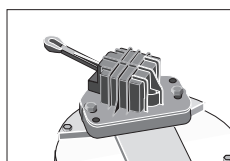
No.	Descripción	Cant.	Modelo	
			5023SS	5020B
1	Motor	1	*	*
2	Interruptor	1	†	†
3	Voluta (Cuerpo de la bomba)	1	S1-31B	PS1-25P
4	Impulsor	1	PS5-269P	PS5-269P
5	Placa de base	1	PS4-17P	PS4-17P
6	Tornillos (Placa de base)	8	U30-571BT	U30-934ZP
7	Guía de la varilla de flotación	1	RP0005249	RP0005249
8	Tornillo (Varilla de flotación)	1	U30-929ZP	U30-929ZP
9	Tornillo (Base)	1	U30-946PH	SC004-116
10	Flotador	1	FT0013-63	FT0013-63
11	Varilla de flotación	1	RP005168S	RP005168S
12	Tope del flotador	2	RP0005248	RP0005248

* Si el motor falla, reemplace la bomba.

† Seleccione el número del modelo del interruptor a continuación.



Interruptor FP0020



Interruptor FP0018-7D

GUARDE EL RECIBO ORIGINAL PARA CULQUIER REFERENCIA POSTERIOR.

GARANTÍA LIMITADA

SIMER le garantiza al comprador consumidor original (el "Comprador" o "Usted") de sus productos, que éstos estarán libres de defectos en materiales y en mano de obra por un período de doce (12) meses, a partir de la fecha de la compra original del consumidor.

Si dentro de los doce (12) meses a partir de la fecha de la compra inicial del consumidor, se comprueba que cualquiera de esos productos es defectuoso, éste será reparado o reemplazado, a la discreción de SIMER, sujeto a los términos y a las condiciones indicadas a continuación. Se necesitará su recibo de compra original y la etiqueta de información sobre la garantía del producto, para determinar la admisibilidad de la garantía. La admisibilidad se basa en la fecha de compra del producto original - no en la fecha de reemplazo bajo la garantía. La garantía está limitada a la reparación o el reemplazo del producto solamente - El comprador pagará todos los costos de remoción, instalación, mano de obra y envío necesarios, así como todo costo adicional asociado.

Si necesita piezas o resolución de problemas, NO regrese el producto a la tienda minorista. Llame el Servicio a la Clientela de SIMER al 1-800-468-7867 / 1-800-546-7867.

Las reclamaciones bajo esta garantía se deberán realizar mediante la devolución del producto (excepto en el caso de las bombas cloacales, ver a continuación) a la tienda minorista en donde se haya adquirido, inmediatamente después de haber descubierto un supuesto defecto. SIMER entonces tomará la medida correctiva tan pronto como sea razonablemente posible. No se aceptarán solicitudes de servicio, si se reciben más de 30 días después del vencimiento de esta garantía.

BOMBAS CLOCALES

NO devuelva una bomba cloacal (que se haya instalado) a su tienda minorista. Comuníquese con el Departamento de Atención al Cliente de SIMER. Las bombas cloacales que hayan estado en servicio y se hayan removido pueden representar un peligro de contaminación.

Si su bomba cloacal ha fallado:

- Use guantes de caucho cuando manipule la bomba;
- Para los fines de la garantía, devuelva la etiqueta del cordón de la bomba y el recibo de compra original a la tienda minorista;
- Descarte la bomba cumpliendo con todas las normas locales que correspondan para su eliminación.

Excepciones para la Garantía Limitada de Doce (12) Meses

Producto	Período de garantía
BW85P, CM10, CMK, M40, M40P	90 días
2300, 2310, 2330, 2520ULST, 2943, 2955, 2956, 2957, 2960, 5023SS, A5500	2 años
Bombas de pozo sumergibles de 4", 2945, 2958, 2975PC, 2985, 3075SS, 3983, 3984	3 años
Tanque precargado del sistema de agua, 3985, 3986	5 años
3963, 3988, 3995, 3997	De por vida

Términos y condiciones generales

Usted deberá pagar por todos los gastos de mano de obra y de envío necesarios para reemplazar el producto cubierto por esta garantía. Esta garantía no se aplicará en las siguientes situaciones: (1) caso de fuerza mayor (2) productos que, a sólo juicio de SIMER hayan sido sometidos a negligencia, abuso, accidente, mala aplicación, manejo indebido o alteraciones; (3) fallas debido a instalación, operación, mantenimiento o almacenamiento inadecuados; (4) aplicaciones, usos o servicios que no sean normales o aprobados; (5) fallas provocadas por corrosión, herrumbre u otros materiales extraños en el sistema, o una operación a presiones que excedan los máximos recomendados.

Esta garantía establece la única obligación de SIMER y el recurso exclusivo del Comprador con respecto a los productos defectuosos.

SIMER NO SE HARÁ RESPONSABLE DE NINGÚN DAÑO CONSECUENTE, INCIDENTAL O CONTINGENTE.

LAS GARANTÍAS QUE ANTECEDEN SON EXCLUSIVAS Y REEMPLAZAN TODA OTRA GARANTÍA EXPLÍCITA O IMPLÍCITA, INCLUYENDO PERO SIN LIMITARSE A LAS GARANTÍAS IMPLÍCITAS DE COMERCIABILIDAD E IDONEIDAD PARA UN FIN ESPECÍFICO. LAS GARANTÍAS QUE ANTECEDEN NO SE EXTENDERÁN MÁS ALLÁ DE LA DURACIÓN PROVISTA EN LA PRESENTE.

Algunos Estados no permiten la exclusión o limitación de daños incidentales o consecuentes o de limitaciones de tiempo sobre garantías implícitas, de modo que es posible que las limitaciones o exclusiones que preceden no correspondan en su caso. Esta garantía le otorga derechos legales específicos y es posible que Usted también tenga otros derechos que pueden variar de un Estado al otro.

SIMER • 293 Wright St., Delavan, WI U.S.A. 53115

Teléfono: 1-800-468-7867 / 1-800-546-7867 • Fax: 1-800-390-5351

E-Mail: info@simerpumps.com • Sitio Web: http://www.simerpumps.com