



WE RUN THE WATER IN YOUR HOME™

293 Wright Street, Delavan, WI 53115

Phone: 800-468-7867

Fax: 800-390-5351

www.simerpumps.com

OWNER'S MANUAL

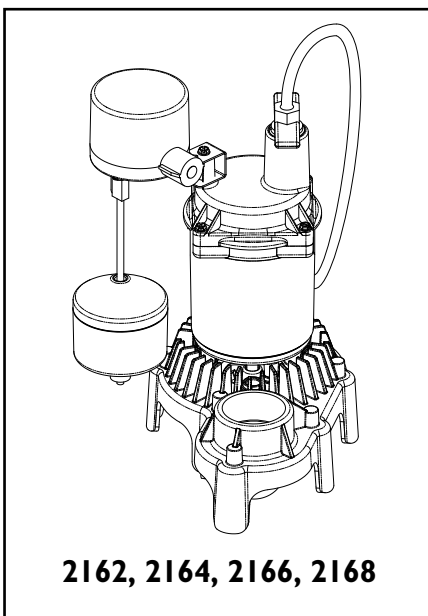
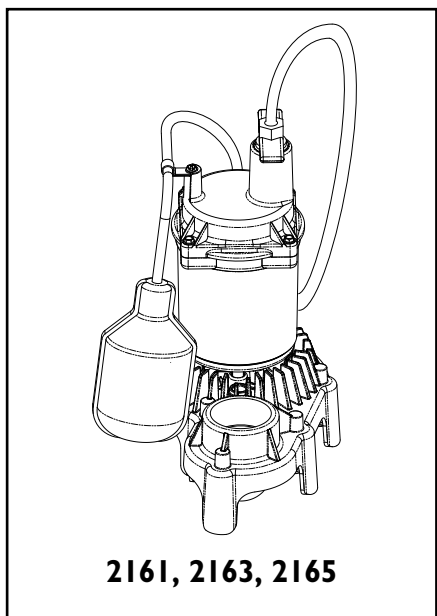
Submersible Plastic Sump Pumps

NOTICE D'UTILISATION

Pompes submersibles en plastique pour puisard

MANUAL DEL USUARIO

Bombas sumergibles de plástico para sumidero



Installation/Operation/Parts

For further operating, installation, or maintenance assistance:

Call 800-468-7867

English..... Pages 2-7

Installation/Fonctionnement/Pièces

Pour plus de renseignements concernant l'utilisation, l'installation ou l'entretien,

Composer le 800-468-7867

Français Pages 8-12

Instalación/Operación/Piezas

Para mayor información sobre el funcionamiento, instalación o mantenimiento de la bomba:

Llame al 800-468-7867

Español.....Paginas 13-19

Important Safety Instructions

SAVE THESE INSTRUCTIONS - This manual contains important instructions that should be followed during installation, operation, and maintenance of the product.

⚠ This is the safety alert symbol. When you see this symbol on your pump or in this manual, look for one of the following signal words and be alert to the potential for personal injury!

⚠ DANGER indicates a hazard which, if not avoided, will result in death or serious injury.

⚠ WARNING indicates a hazard which, if not avoided, could result in death or serious injury.

⚠ CAUTION indicates a hazard which, if not avoided, could result in minor or moderate injury.

NOTICE addresses practices not related to personal injury.

Carefully read and follow all safety instructions in this manual and on pump.

Keep safety labels in good condition. Replace missing or damaged safety labels.

California Proposition 65 Warning

⚠ WARNING This product contains chemicals known to the State of California to cause cancer or birth defects or other reproductive harm.

1. Know the pump application, limitations, and potential hazards.
2. Do not use in water with fish present. If any oil leaks out of the motor it can kill fish.
3. Disconnect power before servicing.
4. Release all pressure within system before servicing any component.
5. Drain all water from system before servicing.
6. Secure discharge line before starting pump. An unsecured discharge line will whip, possibly causing personal injury and/or property damage.
7. Check hoses for weak or worn condition before each use, making certain that all connections are secure.
8. Periodically inspect sump, pump and system components. Keep free of debris and foreign objects. Perform routine maintenance as required.
9. Provide means of pressure relief for pumps whose discharge line can be shut-off or obstructed.

Performance

Series	HP	GPH (LPH) at total feet (m) of lift				No flow at height shown below
		5 (1.5m)	10 (3m)	15 (4.6m)	20 (6.1m)	
Capacity Gallons(L)/Hour						
2161, 2162	1/4	2700 (10221)	2160 (8176)	1500 (5678)	-	20 ft (6.1m)
2163	1/3	3060 (11583)	2400 (9085)	1680 (6359)	660 (2498)	22 ft (6.7m)
2164						
2165	1/2	3660 (13855)	3000 (11356)	2160 (8176)	960 (3634)	22 ft (6.7m)
2166						
2168	3/4	4200 (15899)	3540 (13400)	2820 (10675)	1800 (6814)	24 ft (7.3m)

10. Personal Safety:
 - a. Wear safety glasses at all times when working with pumps.
 - b. Keep work area clean, uncluttered and properly lighted – replace all unused tools and equipment.
 - c. Keep visitors at a safe distance from work area.
 - d. Make workshop child-proof – with padlocks, master switches, and by removing starter keys.
11. When wiring an electrically driven pump, follow all electrical and safety codes that apply.
12. This equipment is only for use on 115 volt (single phase) and is equipped with an approved 3-conductor cord and 3-prong, grounding-type plug.

⚠ WARNING Risk of electric shock. Can shock, burn or kill. This pump has not been investigated for use in swimming pool areas. Pump is supplied with a grounding conductor and grounding-type attachment plug. Be sure it is connected only to a properly grounded grounding-type receptacle.

Where a 2-prong wall receptacle is encountered, it must be replaced with properly grounded 3-prong receptacle installed in accordance with codes and ordinances that apply.

13. All wiring should be performed by a qualified electrician.
14. Make certain power source conforms to requirements of your equipment.
15. Protect electrical cord from sharp objects, hot surfaces, oil, and chemicals. Avoid kinking cord. Replace or repair damaged or worn cords immediately.
16. Do not touch an operating motor. Modern motors can operate at high temperatures.
17. Do not handle pump or pump motor with wet hands or when standing on wet or damp surface, or in water.

⚠ WARNING Risk of electric shock. Can shock, burn or kill. If your basement has water or moisture on floor, do not walk on wet area until all power has been turned off. If shut-off box is in basement, call electric company or hydro authority to shut-off service to house, or call your local fire department for instructions. Remove pump and repair or replace. Failure to follow this warning can result in fatal electrical shock.

Do not lift pump by power cord.

Electrical & Switch Specifications

Series	HP	Motor Full Load Amps	Branch Circuit Req. (Amps)	Switch Setting in inches (cm)	
				On	Off
2161	1/4	3.9	15	14 (35.6)	5 (12.7)
2162	1/4	3.9		7.5 (19.1)	3 (7.6)
2163	1/3	3.9		14 (35.6)	5 (12.7)
2164	1/3	3.9		7.5 (19.1)	3 (7.6)
2165	1/2	4.1		14 (35.6)	5 (12.7)
2166	1/2	4.1		7.5 (19.1)	3 (7.6)
2168	3/4	5.5		7.5 (19.1)	3 (7.6)

Specifications

Power supply required.....115V, 60 HZ.
 Liquid Temp. Range.....32°F to 70°F(0°-21°C)
 Individual Branch Circuit Required (min.).....15 Amps
 Discharge:..... 1-1/2" NPT

NOTICE Do not reduce size of discharge pipe or hose below 1-1/4" diameter. If discharge is too small, pump will overheat and fail prematurely.

This pump is designed for use in a residential sump only.

Only pump water with this pump.

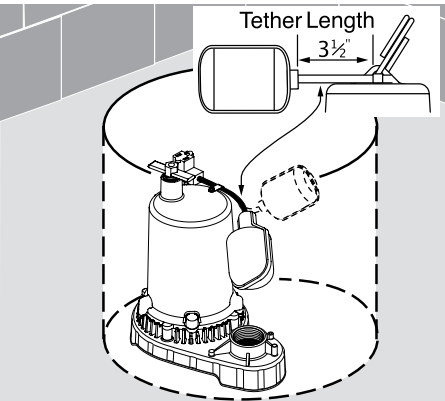
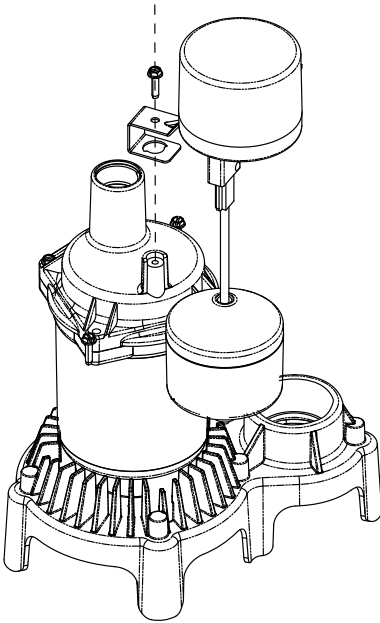
NOTICE This unit is not designed as a waterfall or fountain pump, or for applications involving salt water or brine! Use with waterfalls, fountains, salt water or brine will void warranty.

Do not use where water recirculates.

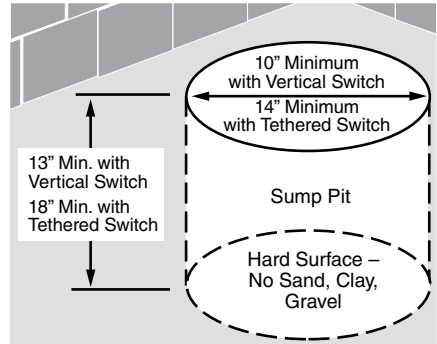
Not designed for use as a swimming pool drainer.

Float Switch Installation

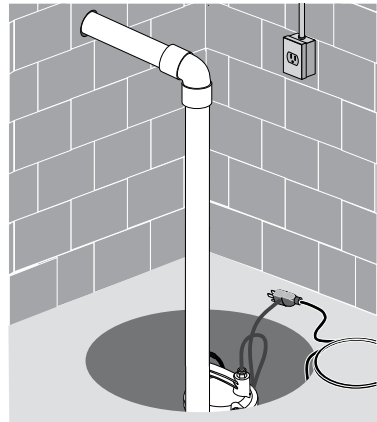
Models equipped with vertical switches require some assembly. Models with tethered float switches are ready for use.



Installation



1. Install pump in sump pit with minimum diameter of 10" (254mm) for models equipped with vertical switches and 14" (356mm) for tethered float switch models. Sump depth should be 18" (457mm) for tethered models and 13" (330mm) for vertically switched models. Construct sump pit of tile, concrete, steel or plastic. Check local codes for approved materials and for proper installation.
2. Install pump in pit so that switch operating mechanism has maximum possible clearance.
3. Pump should not be installed on clay, earth or sand surfaces. Clean sump pit of small stones and gravel which could clog pump. Keep pump inlet screen clear.



NOTICE Do not use ordinary pipe joint compound on plastic pipe. Pipe joint compound can weaken plastics.

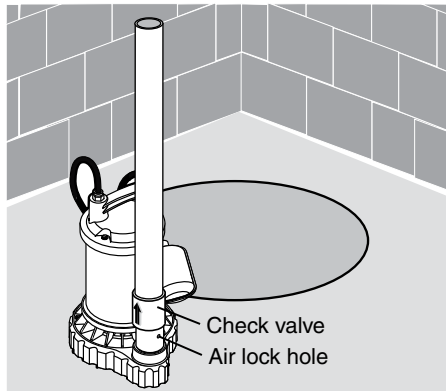
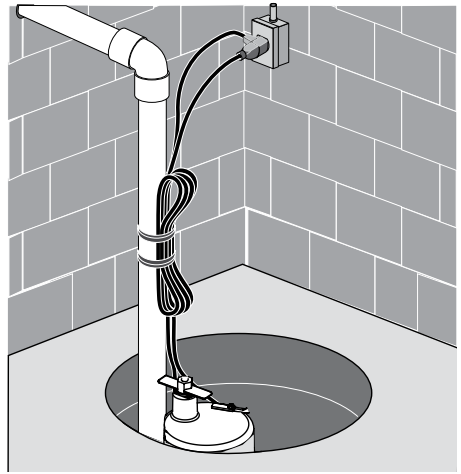
4. Install discharge plumbing. Use rigid plastic pipe and wrap threads with PTFE pipe thread sealant tape. Hand tighten pipe into pump plus 1-1/2 turns.

▲ CAUTION Risk of flooding. Can cause personal injury and/or property damage. If a flexible discharge hose is used, make sure pump is secured in sump to prevent movement. Failure to secure pump may allow pump movement, switch interference and prevent pump from starting or stopping.

5. To reduce motor noise and vibrations, a short length of rubber hose (1-7/8" (47.6mm) I.D., e.g. radiator hose) can be connected into discharge line near pump using suitable clamps.

6. Install an in-line check valve or an in-pump check valve to prevent flow backwards through pump when pump shuts off.

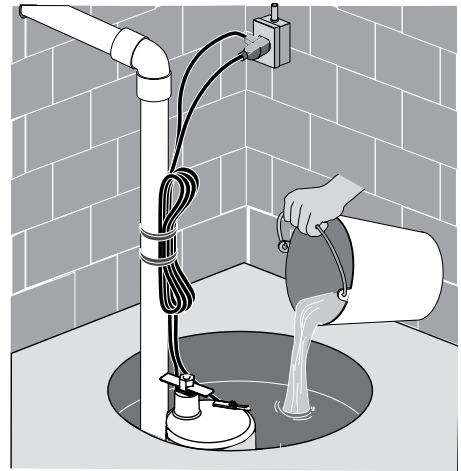
NOTICE If your check valve is not equipped with an air bleed hole to prevent airlocking pump, drill a 1/8" (3.2 mm) hole in discharge pipe just above where the discharge pipe screws into the pump discharge. Be sure the hole is below the waterline and the check valve to prevent air locks.



7. Power Supply: Pump is designed for 115 V., 60 Hz., operation and requires a minimum 15 amp individual branch circuit. Both pump and switch are supplied with 3-wire cord sets with grounding-type plugs.

Switch plug is inserted directly into outlet and pump plug inserts into opposite end of switch plug.

▲ WARNING Risk of electric shock. Can shock, burn or kill. Pump should always be electrically grounded to a suitable electrical ground such as a grounded water pipe or a properly grounded metallic raceway, or ground wire system. Do not cut off round ground pin.



8. If pump discharge line is exposed to sub-freezing weather conditions, portion of exposed pipe must be installed so any water remaining will drain out or down due to gravity. Failure to do this can cause water trapped in discharge to freeze which could result in damage to pump.
9. After piping, check valve and float switch have been installed, the unit is ready for operation.
10. Check the pump operation by filling sump with water and observing pump operation through one complete cycle. For switch settings see the Electrical and Switch Specifications chart on Page 2.

▲ CAUTION Risk of flooding. Can cause personal injury and/or property damage. Failure to make this operational check may lead to improper operation, premature failure, and flooding.

Operation

⚠ WARNING Risk of electric shock. Can shock, burn or kill. Do not handle a pump or pump motor with wet hands or when standing on wet or damp surface, or in water.

1. Shaft seal depends on water for lubrication. Do not operate pump unless it is submerged in water as seal may be damaged if allowed to run dry.
2. Motor is equipped with automatic reset thermal protector. If temperature in motor should rise, switch will cut off all power before damage can be done to motor. When motor has cooled, switch will reset

automatically and restart motor. If protector trips repeatedly, pump should be removed and checked. Low voltage, long extension cords, clogged impeller, very low head or lift, or a plugged or frozen discharge pipe, etc., could cause protector to trip.

3. Pump will not remove all water. If operating a pump manually and suddenly no water comes out of the discharge hose, shut off the unit immediately. The unit has broken prime due to a very low water level.

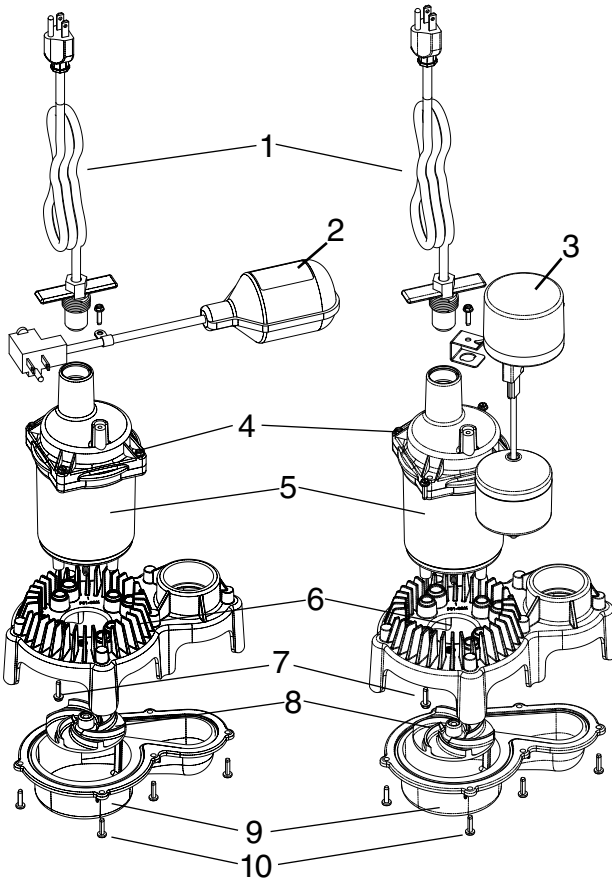
⚠ WARNING Risk of electric shock. Can shock, burn or kill. Before attempting to check why unit has stopped operating, disconnect power from unit.

Troubleshooting

Symptom	Possible Cause(s)	Corrective Action
Pump won't start or run.	Pump is not plugged in.	Check and see if pump is plugged into a proper outlet.
	Blown fuse.	If blown, replace with fuse of proper size.
	Low line voltage	If voltage under recommended minimum, check size of wiring from main switch on property. If OK, contact power company or hydro authority.
	Defective motor.	Replace pump.
	Defective float switch.	Replace float switch.
	Impeller	If impeller won't turn, remove lower pump body and locate source of binding.
Pump starts and stops too often.	Float obstructed	Remove obstruction.
	Backflow of water from piping	Install or replace check-valve.
Pump won't shut off	Faulty float switch	Replace float switch.
	Defective float switch	Replace float switch.
	Restricted discharge (obstacle or ice in piping)	Remove pump and clean pump and piping.
	Float obstructed	Remove obstruction.
Pump operates but delivers little or no water	Restricted intake screen	Remove the pump and clean the intake screen and the impeller.
	Low line voltage	If voltage under recommended minimum, check size of wiring from main switch on property. If OK, contact power company or hydro authority.
	Something caught in impeller	Remove the pump and clean out the impeller.
	Worn or defective parts or plugged impeller	Clean impeller if plugged; otherwise replace pump.
	Check valve installed without vent hole.	Drill a 1/16" - 1/8" (1.6mm-3.2mm) dia. hole between pump discharge & check valve (1-2" above where the discharge pipe screws into the pump discharge and below the waterline).
	Restricted intake screen	Remove the pump and clean out the intake screen.
	Check valve is installed either backward or upside down	Be sure check valve is installed correctly.

PLASTIC SERIES

Model	Impeller	Upper Volute
2161	PS5-285	PS1-325
2162	PS5-285	PS1-325
2163	PS5-285	PS1-327
2164	PS5-285	PS1-327
2165	PS5-286	PS1-327
2166	PS5-286	PS1-327
2168	PS5-287	PS1-327



Ref	Description	Qty	2161, 2163, 2165	2162, 2164, 2166, 2168
1	Power Cord Assembly	1	PS117-54-TB	
2	Tethered Float Assembly	1	FP18-15BD	-
3	Vertical Float Switch Assembly	1	-	FPS17-66
4	Screw #8-32 x 7/8"	4	•	
5	Motor	1	**	
6	Upper Volute	1	See Chart	
7	Screw #8-32 x 1/2"	5	•	
8	Impeller	1	See Chart	
9	Lower Volute	1	PS1-326	
10	Screw #8 x 5/8" coarse thread "Sheet/Metal Screw"	6	•	

**If motor fails, replace entire pump.

- Purchase locally

Retain Original Receipt For Warranty Eligibility

Limited Warranty

This Limited Warranty is effective June 1, 2011 and replaces all undated warranties and warranties dated before June 1, 2011. SIMER warrants to the original consumer purchaser ("Purchaser" or "You") that its products are free from defects in material and workmanship for a period of twelve (12) months from the date of the original consumer purchase. If, within twelve (12) months from the original consumer purchase, any such product shall prove to be defective, it shall be repaired or replaced at SIMER's option, subject to the terms and conditions set forth herein. Note that this limited warranty applies to manufacturing defects only and not to ordinary wear and tear. All mechanical devices need periodic parts and service to perform well. This limited warranty does not cover repair when normal use has exhausted the life of a part or the equipment.

The original purchase receipt and product warranty information label are required to determine warranty eligibility. Eligibility is based on purchase date of original product – not the date of replacement under warranty. The warranty is limited to repair or replacement of original purchased product only, not replacement product (i.e. one warranty replacement allowed per purchase). Purchaser pays all removal, installation, labor, shipping, and incidental charges.

For parts or troubleshooting assistance, DO NOT return product to your retail store. Contact SIMER Customer Service at 800-468-7867.

Claims made under this warranty shall be made by returning the product (except sewage pumps, see below) to the retail outlet where it was purchased immediately after the discovery of any alleged defect. SIMER will subsequently take corrective action as promptly as reasonably possible. No requests for service will be accepted if received more than 30 days after the warranty expires. Warranty is not transferable and does not apply to products used in commercial/rental applications.

Sewage Pumps

DO NOT return a sewage pump (that has been installed) to your retail store. Contact SIMER Customer Service. Sewage pumps that have seen service and been removed carry a contamination hazard with them.

If your sewage pump has failed:

- Wear rubber gloves when handling the pump;
• For warranty purposes, return the pump's cord tag and original receipt of purchase to the retail store;
• Dispose of the pump according to local disposal ordinances.

Exceptions to the Twelve (12) Month Limited Warranty

Table with 2 columns: Product and Warranty Period. Rows include BW85P, M40P (90 days); 2115, 2300, 2310, 2330, 2883, 2886, 2943, 2955, 2956, 2957, A5300, A5500 (2 Years); 4" Submersible Well Pumps, 2945, 2958, 2975PC, 3075SS, 3963, 3984, 3995, 4185, 4185P, 4186, 4188, 4190 (3 Years); Pre-Charged Pressure Tanks, 3985, 3986, 3988, 3989, 5910, 5950, 5955, 5965, 5975 (5 Years)

General Terms and Conditions; Limitation of Remedies

You must pay all labor and shipping charges necessary to replace product covered by this warranty. This warranty does not apply to the following: (1) acts of God; (2) products which, in SIMER's sole judgement, have been subject to negligence, abuse, accident, misapplication, tampering, or alteration; (3) failures due to improper installation, operation, maintenance or storage; (4) atypical or unapproved application, use or service; (5) failures caused by corrosion, rust or other foreign materials in the system, or operation at pressures in excess of recommended maximums.

This warranty sets forth SIMER's sole obligation and purchaser's exclusive remedy for defective products.

SIMER SHALL NOT BE LIABLE FOR ANY CONSEQUENTIAL, INCIDENTAL, OR CONTINGENT DAMAGES WHATSOEVER. THE FOREGOING WARRANTIES ARE EXCLUSIVE AND IN LIEU OF ALL OTHER EXPRESS AND IMPLIED WARRANTIES, INCLUDING BUT NOT LIMITED TO THE IMPLIED WARRANTIES OF MERCHANTABILITY AND FITNESS FOR A PARTICULAR PURPOSE. THE FOREGOING WARRANTIES SHALL NOT EXTEND BEYOND THE DURATION PROVIDED HEREIN.

Some states do not allow the exclusion or limitation of incidental or consequential damages or limitations on how long an implied warranty lasts, so the above limitations or exclusions may not apply to You. This warranty gives You specific legal rights and You may also have other rights which vary from state to state.

SIMER • 293 Wright Street • Delavan, WI U.S.A. 53115
Phone: 800-468-7867 • Fax: 800-390-5351 • www.simerpump.com

Directives de sécurité importantes

Conserver ces directives – Ce manuel renferme d'importantes directives qu'il faut suivre durant l'installation et l'entretien de la pompe.

Ce symbole **⚠** indique qu'il faut être prudent. Lorsque ce symbole apparaît sur la pompe ou dans cette Notice, rechercher une des mises en garde qui suivent, car elles indiquent un potentiel de blessures corporelles!

Le mot signal **⚠ DANGER** indique un danger qui, s'il n'est pas évité, causera la mort ou des blessures graves.

Le mot signal **⚠ AVERTISSEMENT** indique un risque qui, s'il n'est pas évité, pourrait causer la mort ou des blessures graves.

Le mot signal **⚠ ATTENTION** indique un risque qui, s'il n'est pas évité, pourrait causer des blessures mineures ou modérées.

Le mot **AVIS** est utilisé pour les pratiques qui ne sont pas reliées aux blessures personnelles.

Lire attentivement toutes les consignes de sécurité contenues dans cette Notice ou collées sur la pompe.

Garder les autocollants de sécurité en bon état; les remplacer s'ils manquent ou s'ils ont été endommagés.

Avertissement lié à la Proposition 65 de la Californie

⚠ AVERTISSEMENT Ce produit et les accessoires connexes contiennent des produits chimiques reconnus dans l'État de la Californie comme pouvant provoquer des cancers, des anomalies congénitales ou d'autres dangers relatifs à la reproduction.

1. Avant tout, il faut connaître les applications de la pompe, ces limites et les dangers potentiels que présente son utilisation.
2. Ne pas utiliser pour pomper de l'eau dans laquelle se trouvent des poissons. Une fuite d'huile provenant du moteur pourrait tuer les poissons.
3. Avant d'intervenir sur la pompe, couper le courant.
4. Dissiper toute la pression du circuit d'eau avant d'intervenir sur un des éléments de la pompe.
5. Vidanger l'eau du circuit avant d'intervenir sur la pompe.
6. Bien immobiliser la canalisation de refoulement avant de faire fonctionner la pompe. Une canalisation de refoulement non immobilisée risque de se déplacer comme un fouet et de causer des blessures corporelles et/ou des dommages matériels.
7. Avant chaque utilisation, s'assurer que les tuyaux souples ne comportent pas de points faibles ni de parties usées et que tous les raccords sont bien serrés.
8. Périodiquement, inspecter la pompe et tous les éléments de l'ensemble. Procéder à un entretien périodique selon le besoin.
9. Prévoir un moyen de dissiper la pression des pompes dont la canalisation de refoulement peut être fermée ou obstruée.
10. Sécurité personnelle :
 - a. Lorsque l'on intervient sur une pompe, toujours porter des lunettes de sécurité.

- b. Toujours garder la zone de travail propre, dégagée et bien éclairée – Enlever tous les outils et tout l'équipement inutilisés.
 - c. Les visiteurs doivent se tenir à une distance sécuritaire de la zone de travail.
 - d. Poser des cadenas pour s'assurer que les enfants ne pourront pas pénétrer dans l'atelier de travail. Poser aussi un interrupteur général et enlever les clés des démarreurs.
11. Lorsque l'on câble une pompe électrique, observer tous les codes de sécurité et de l'électricité applicables.
 12. Cet équipement ne fonctionne que sur le courant 115 volts (monophasé) et est muni d'un cordon d'alimentation approuvé à 3 conducteurs et d'une fiche à 3 broches dont une de mise à la terre.

⚠ AVERTISSEMENT Risque de secousses électriques. Pouvant causer des brûlures, voire la mort. Débrancher la pompe de la prise de courant. Aucune étude n'a été faite pour savoir si cette pompe pouvait être utilisée aux alentours des piscines. Cette pompe est livrée avec un conducteur et une fiche comportant une broche de mise à la terre. Ne brancher cette fiche que dans une prise de courant adéquatement mise à la terre.

Au cas où l'installation ne comporterait que des prises de courant à 2 trous, remplacer la prise dans laquelle la fiche sera branchée par une prise de courant à 3 trous adéquatement mise à la terre et posée conformément aux Codes et aux décrets applicables.

13. Tout le câblage doit être exécuté par un électricien qualifié.
14. S'assurer que la source du courant est conforme aux caractéristiques de l'équipement.
15. Protéger le cordon électrique contre les objets tranchants, les surfaces chaudes, l'huile et les produits chimiques. Éviter de nouer le cordon. Remplacer immédiatement le cordon s'il est endommagé ou usé.
16. Ne pas toucher le moteur de la pompe pendant qu'il fonctionne. Les moteurs peuvent fonctionner par les températures élevées.
17. Ne pas manipuler la pompe ni le moteur de la pompe lorsqu'on a les mains humides ou lorsqu'on se tient debout sur une surface mouillée, humide ou dans l'eau.

⚠ AVERTISSEMENT Risque de secousses électriques. Pouvant causer des brûlures, voire la mort. Risque de secousses, de brûlures, voire de mort. Si le sol du sous-sol est humide ou couvert d'eau, ne pas marcher sur cette surface humide tant que toute l'alimentation en courant électrique n'a pas été interrompue. Si le sectionneur principal se trouve au sous-sol, appeler la compagnie qui fournit l'électricité pour lui demander d'interrompre le service parvenant à la maison ou appeler le service d'incendie local pour plus de renseignements. Déposer la pompe, la réparer ou la remplacer. On risque d'être mortellement électrocuté si l'on n'observe pas cet avertissement. Ne pas lever la pompe par son cordon électrique.

Rendement

Litres par heure à la hauteur totale de refoulement en mètres						
Série	Puiss.	1,5m (5po)	3m (10po)	4,6m (15po)	6,1m (20po)	Aucun débit à la hauteur suivante
Volume litres (gl)/heure						
2161	1/4	10221 (2700)	8176 (2160)	5678 (1500)	-	6,1m (20po)
2162						
2163	1/3	11583 (3060)	9085 (2400)	6359 (1680)	2498 (660)	6,7m (22po)
2164						
2165	1/2	13855 (3660)	11356 (3000)	8176 (2160)	3634 (960)	6,7m (22po)
2166						
2168	3/4	15899 (4200)	13400 (3540)	10675 (2820)	6814 (1800)	7,3m (24po)

Caractéristiques électriques et de commutation

Série	Puiss.	Charge complète moteur Amp	Circuit de dérivation individuel requis en ampères	Réglage de l'interrupteur en cm (po)	
				Marche	Arrêt
2161	1/4	3,9	15	35,6 (14)	12,7 (5)
2162	1/4	3,9		19,1 (7,5)	7,6 (3)
2163	1/3	3,9		35,6 (14)	12,7 (5)
2164	1/3	3,9		19,1 (7,5)	7,6 (3)
2165	1/2	4,1		35,6 (14)	12,7 (5)
2166	1/2	4,1		19,1 (7,5)	7,6 (3)
2168	3/4	5,5		19,1 (7,5)	7,6 (3)

Caractéristiques

Courant d'alimentation requis 115 V, 60 Hz
 Gammes de températures du liquide..... de 0 à -21 °C
 (32 °F à 70 °F)

Circuit de dérivation individuel requis
 (minimum)..... 15 ampères
 Refoulement: 1-1/2po NPT

AVIS S'assurer que le diamètre du tuyau de refoulement est d'au moins 3,2 cm. Si le refoulement est trop petit, il y aura surchauffement et panne prématurée de la pompe.

Cette pompe est conçue pour être utilisée dans un puisard résidentiel. Ne pomper que de l'eau avec cette pompe.

AVIS Cette pompe n'est pas conçue pour être utilisée en tant que pompe de fontaine ou de chute d'eau ni dans des eaux salées ou de saumure! Son utilisation avec une chute d'eau, une fontaine, de l'eau salée ou de saumure annulera la garantie.

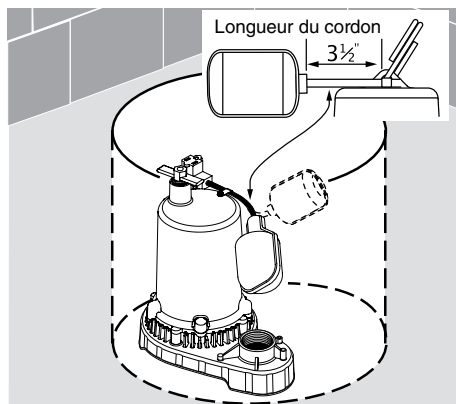
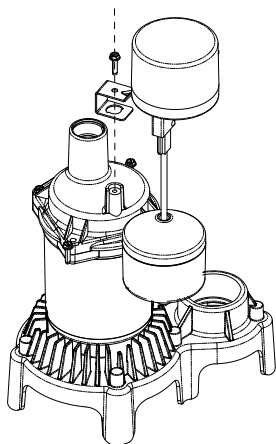
Ne pas utiliser où de l'eau recircule.

Cette pompe n'est pas conçue pour vider les piscines.

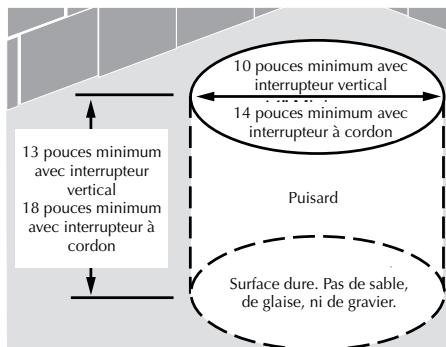
AVIS Lire attentivement cette Notice d'utilisation pour l'installation, le fonctionnement et les consignes de sécurité.

Installation de l'interrupteur à flotteur

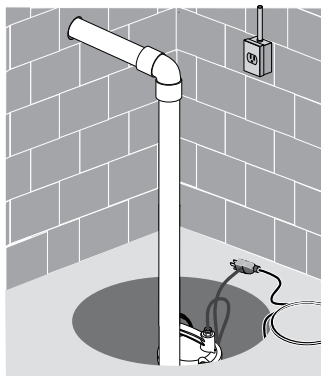
Certains modèles équipés d'un interrupteur vertical nécessitent un peu de montage. Les modèles équipés d'interrupteurs à flotteur à tige sont prêts à être utilisés.



Installation



1. Dans le cas de modèles équipés d'un interrupteur vertical, installer la pompe dans un puisard ayant un diamètre minimum de 25,4 cm (10 pouces) et dans un puisard ayant un diamètre minimum de 35,6 cm (14 pouces) dans le cas des pompes équipées d'un interrupteur à flotteur à cordon. Le puisard doit avoir une profondeur minimum de 45,7 cm (18 po) dans le cas des modèles à cordon et de 33,0 cm (13 po) dans le cas des modèles à interrupteur à flotteur vertical. Le puisard peut être construit avec un tuyau en ciment, du béton, en acier ou du plastique. Consulter les codes municipaux pour connaître le matériau approuvé et pour procéder adéquatement à l'installation.
2. Installer la pompe dans le puisard de façon que le mécanisme actionnant l'interrupteur puisse avant le plus grand dégagement possible.



3. Il ne faut pas poser la pompe sur une surface en argile, en terre ou sablonneuse. Enlever les petites pierres et le gravier du puisard qui risqueraient de boucher la pompe. La crépine d'admission d'eau de la pompe doit toujours être dégagée.

AVIS Ne pas utiliser de pâte à joint ordinaire pour tuyaux filetés sur les tuyaux en plastique car cette pâte attaque les plastiques.

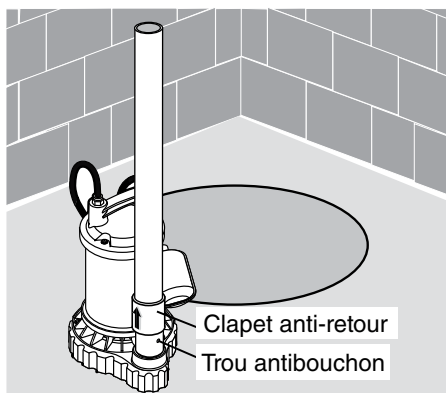
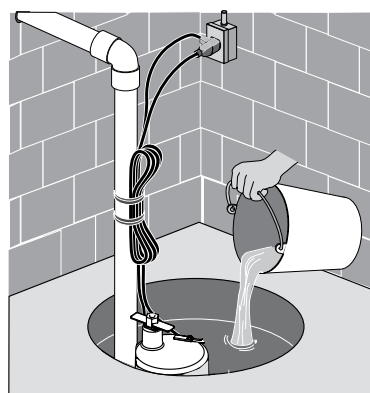
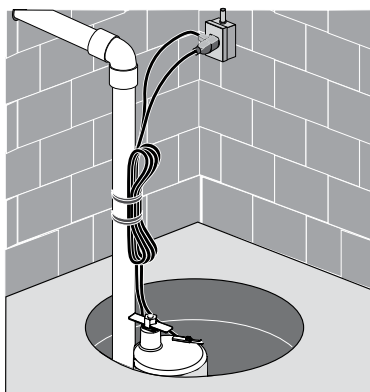
4. Poser la tuyauterie de refoulement. Utiliser des tuyaux en plastique rigide et envelopper les filets de ruban d'étanchéité en téflon. Visser bien serré le tuyau à la main dans la pompe, puis le visser de 1-1/2 tour supplémentaire.

ATTENTION **Risque d'inondation.** Peut causer le mauvais fonctionnement ou une panne prématurée de la pompe. Si l'on utilise un tuyau de refoulement souple, s'assurer que la pompe est bien immobilisée dans le puisard pour empêcher qu'elle se déplace. Si la pompe n'est pas bien immobilisée, elle risque de se déplacer, l'interrupteur risque de se coincer et d'empêcher la pompe de démarrer ou de s'arrêter.

5. Pour minimiser le bruit du moteur et les vibrations, un petit morceau de tuyau en caoutchouc (de 4,76 cm [1-7/8 po] de dia. int., une durite de radiateur, par exemple) peut être posé sur la conduite de refoulement à l'aide de colliers, près de la pompe.

6. Poser le clapet antiretour en ligne (Flotec n° FP0026-10-P2) ou un clapet antiretour logé dans la pompe (Flotec n° FP0026-6D-P2) pour empêcher l'eau de retomber dans la pompe lorsqu'elle est arrêtée.

AVIS Si le clapet de non-retour ne comporte pas un trou de purge d'air pour empêcher les bouchons d'air dans la pompe, percer un trou de 3,2 mm (1/8 de po) dans le tuyau de refoulement, juste au-dessus où le tuyau de refoulement se visse dans le refoulement de la pompe. S'assurer que le trou est sous le niveau de l'eau et le clapet de non-retour pour empêcher la formation de bouchons d'air.



7. Courant électrique : La pompe est conçue pour fonctionner sur le courant électrique de 115 V, 60 Hz, et elle doit être branchée sur un circuit de dérivation individuel d'au moins 15 ampères. La pompe et l'interrupteur sont livrés avec des cordons électriques à 3 conducteurs et des fiches avec broches de terre. La fiche de l'interrupteur se branche directement dans la prise de courant et la fiche du cordon de la pompe se branche à l'arrière de la fiche de l'interrupteur.

AVERTISSEMENT **Risque de secousses électriques.** Pouvant causer des brûlures, voire la mort. La pompe doit toujours être raccordée à la terre, sur un tuyau d'eau mis à la terre, une canalisation métallique adéquatement mise à la terre ou un circuit électrique adéquatement mis à la terre, par exemple. Ne jamais couper la broche ronde de mise à la terre de la fiche.

8. Si la conduite de refoulement de la pompe est exposée aux températures de congélation extérieures, la partie exposée doit être installée de façon que l'eau restant dans le tuyau puisse se vidanger en retombant par gravité. Si l'on ne respecte pas cette recommandation, l'eau emprisonnée dans la conduite de refoulement risque de geler et la pompe risque d'être endommagée.
9. Après avoir installé la tuyauterie, le clapet antiretour et l'interrupteur à flotteur, la pompe est prête à fonctionner.
10. Vérifier le fonctionnement de la pompe en remplissant le puisard d'eau, puis observer le fonctionnement de la pompe sur un cycle complet. Pour connaître les réglages de l'interrupteur, se reporter au tableau de la page 8 intitulé « Caractéristiques électriques et de l'interrupteur ».

ATTENTION **Risque d'inondation.** Peut causer le mauvais fonctionnement ou une panne prématurée de la pompe. Ne pas procéder à cette vérification de fonctionnement risque de causer un mauvais fonctionnement, une panne prématurée, voire une inondation.

Fonctionnement

⚠️ AVERTISSEMENT **Risque de secousses électriques.** Pouvant causer des brûlures, voire la mort. Ne pas toucher à la pompe ni au moteur de la pompe lorsqu'on a les mains humides ou lorsqu'on se tient debout sur une surface mouillée, humide ou dans l'eau.

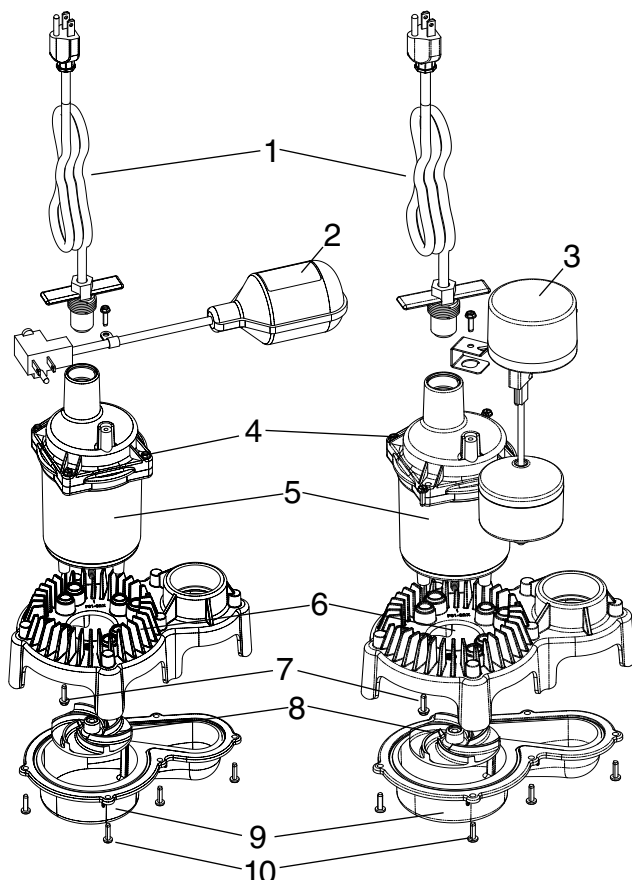
1. Le joint de l'arbre dépend de l'eau pour son graissage. Ne pas utiliser la pompe si elle n'est pas immergée dans l'eau, sinon son joint sera endommagé si la pompe fonctionne à sec.
2. Le moteur est équipé d'un protecteur thermique à réarmement automatique. Si la température devait s'élever anormalement, le disjoncteur interrompra automatiquement l'arrivée de courant avant que le moteur soit endommagé. Lorsque le moteur aura suffisamment refroidi, le disjoncteur se réarmera automatiquement et le moteur redémarrera. Si le

- protecteur se déclenche constamment, sortir la pompe du puisard et en déterminer la cause. Une basse tension, des cordons prolongateurs trop longs, un impulseur bouché, une hauteur de refoulement très basse ou un tuyau de refoulement bouché ou gelé, etc. risquent de causer un fonctionnement intermittent.
3. La pompe n'aspire pas toute l'eau. Si on fait fonctionner la pompe manuellement, et que brusquement l'eau ne coule plus par son tuyau de refoulement, arrêter immédiatement la pompe. Le niveau de l'eau est probablement très bas et la pompe s'est désamorcée.

⚠️ AVERTISSEMENT **Risque de secousses électriques.** Pouvant causer des brûlures, voire la mort. Avant de vérifier pourquoi cette pompe a cessé de fonctionner, interrompre le courant parvenant à la pompe.

Symptôme	Cause(s) probable(s)	Mesure corrective
La pompe ne démarre pas ou ne tourne pas	La pompe n'est pas branchée	S'assurer que la pompe est branchée dans une prise de courant adéquate
	Niveau d'eau trop bas.	L'interrupteur de la pompe ne se déclenche pas si l'eau ne recouvre pas la partie supérieure de la pompe
	Fusible fondu	Si le fusible est fondu, remplacer par le calibre qui convient.
	Basse tension de la ligne.	Si la tension est au-dessous du minimum recommandé, vérifier la force du câblage provenant de l'interrupteur général de l'habitation. S'il n'y a pas de problème, contacter la Compagnie d'électricité ou les services hydro-électriques.
	Moteur défectueux	Remplacer la pompe.
	Interrupteur du moteur défectueux	Remplacer l'interrupteur du moteur.
	Roue motrice.	Si la roue refuse de tourner, déposer la partie inférieure de la pompe et cherche la cause du blocage.
	Entrave trop longue Obstruction du flotteur	Raccourcir l'entrave. Dégager le mouvement du flotteur.
La pompe démarre et s'arrête trop souvent.	Reflux du liquide dans la pompe	Installer un clapet de retenue.
	Interrupteur du flotteur défectueux	Remplacer l'interrupteur du flotteur.
La pompe refuse de s'arrêter.	Interrupteur du flotteur défectueux	Remplacer l'interrupteur du flotteur.
	Diminution du refoulement (obstruction ou glace dans la tuyauterie)	Déposer la pompe et nettoyer la pompe et la canalisation.
	Entrave trop longue	Raccourcir l'entrave.
La pompe fonctionne mais elle ne délivre pas ou peu d'eau	La crépine d'aspiration est obstruée	Déposer la pompe et nettoyer la crépine d'aspiration ainsi que l'impulseur.
	Basse tension de la ligne	Si la tension est au-dessous du minimum recommandé, vérifier la force du câblage provenant de l'interrupteur général de l'habitation. S'il n'y a pas de problème, contacter la Compagnie d'électricité.
	Quelque chose bloque la rouemotrice	Démonter la pompe et nettoyer l'impulseur.
	Pièces usées ou défectueuses, ou roue motrice obstruée	Nettoyer la roue motrice si elle est obstruée; autrement, remplacer la pompe.
	Clapet de retenue installé sansorifice de ventilation	Percer un trou de 1,6 à 3,2 mm (de 1/16 à 1/8 po) de diamètre entre le refoulement de la pompe et le clapet de retenue Entre 2,5 et 5 cm (1 à 2 po) au-dessus des filets du tuyau de refoulement qui se visse dans le refoulement de la pompe, et sous le niveau de l'eau.
	La crépine d'aspiration est obstruée	Déposer la pompe et nettoyer la crépine d'aspiration ainsi que l'impulseur.
Le clapet antiretour est installé à l'envers	S'assurer que le clapet antiretour est installé correctement.	

Modèles plastiques



Modèle	Impulseur	Volute (supérieure)
2161	PS5-285	PS1-325
2162	PS5-285	PS1-325
2163	PS5-285	PS1-327
2164	PS5-285	PS1-327
2165	PS5-286	PS1-327
2166	PS5-286	PS1-327
2168	PS5-287	PS1-327

Réf	Désignation	Qté	2161, 2163, 2165	2162, 2164, 2166, 2168
1	Ensemble de cordon électrique	1	PS117-54-TB	
2	Captif Assemblée de l'interrupteur à flotteur	1	FP18-15BD	-
3	Vertical Assemblée de l'interrupteur à flotteur	1	-	FPS17-66
4	Vis # 8-32 x 7/8 "	4	•	
5	Moteur	1	**	
6	Volute (supérieure)	1	Voir le tableau	
7	Visser 8-32	6	•	
8	Impulseur	1	Voir le tableau	
9	Volute (inférieure)	1	PS1-326	
10	Vis # 8-5/8 fil "vis feuille / métal" grossière	11	•	

**Si le moteur tombe en panne, replacer la pompe.

- À acheter localement

Conserver le reçu de caisse original aux fins d'admissibilité à la garantie

Garantie limitée

La présente garantie limitée est entrée en vigueur le 1er juin 2011 et remplace toute garantie non datée ou antérieure à cette date. SIMER garantit à l'acheteur/au consommateur d'origine (l'Acheteur) que ses produits sont exempts de tout vice de matériau et de fabrication. Cette garantie est valable pendant douze (12) mois à partir de la date d'achat d'origine. Si, dans les douze (12) mois suivant la date d'achat d'origine, un produit se révèle défectueux, il doit être réparé ou remplacé, à la discrétion de SIMER, selon les modalités énoncées aux présentes. Il est à noter que la présente garantie limitée s'applique aux défauts de fabrication seulement. Elle ne couvre pas l'usure normale. Tout dispositif mécanique doit faire l'objet d'un entretien périodique pour veiller à son bon fonctionnement. La présente garantie limitée ne couvre pas les réparations attribuables à l'usure normale d'une pièce ou de l'équipement.

Le reçu de caisse original et l'étiquette d'information sur la garantie sont nécessaires pour déterminer l'admissibilité à la garantie. Cette dernière est établie en fonction de la date d'achat de l'article et non de la date de son remplacement sous garantie. La garantie se limite à la réparation ou au remplacement de l'article original seulement et ne couvre pas l'article de rechange (c.-à-d. un article remplacé sous garantie par achat). L'Acheteur assume les frais de retrait, d'installation, de transport et tous les frais accessoires.

Pour obtenir des pièces ou de l'aide technique, NE PAS retourner le produit au détaillant. Contacter le service à la clientèle de SIMER au 800 468-7867.

Toute demande de règlement en vertu de la présente garantie doit être faite en retournant l'article (à l'exception des pompes de puisard; voir la marche à suivre ci-dessous) au magasin où celui-ci a été acheté dès qu'une défectuosité est soupçonnée. SIMER prendra les mesures correctives nécessaires dans un délai rapide et raisonnable. Aucune demande de réparation ne sera acceptée plus de 30 jours après l'expiration de la garantie.

La garantie ne peut être cédée et ne s'applique pas aux produits utilisés à des fins commerciales ou de location.

Pompes d'eaux d'égout

NE PAS RETOURNER une pompe d'eaux d'égout (qui a été installée) au détaillant. Communiquer avec le service à la clientèle de SIMER. Les pompes d'eaux d'égout qui ont été utilisées, puis retirées présentent un risque de contamination.

En cas de défaillance de la pompe d'eaux d'égout :

- Porter des gants en caoutchouc pour manipuler la pompe.
- À des fins de garantie, retourner l'étiquette figurant sur le cordon de la pompe et l'original du reçu au détaillant.
- Mettre la pompe au rebut conformément à la réglementation locale.

Exceptions à la garantie limitée de douze (12) mois

Produit	Période de garantie
BW85P, M40P	90 jours
2115, 2300, 2310, 2330, 2883, 2886, 2943, 2955, 2956, 2957, A5300, A5500	2 ans
Pompe pour puits submersibles de 4 pouces, 2945, 2958, 2975PC, 3075SS, 3963, 3984, 3995, 4185, 4185P, 4186, 4188, 4190	3 ans
Réservoir préchargé de système d'eau, 3985, 3986, 3988, 3989, 5910, 5950, 5955, 5965, 5975	5 ans

Modalités générales et restriction des recours

L'Acheteur doit payer tous les frais de main d'œuvre et de transport nécessaires au remplacement du produit garanti couvert par cette garantie. Cette garantie ne s'applique pas à ce qui suit : (1) Les catastrophes naturelles; (2) Les produits qui, selon SIMER, ont fait l'objet d'une négligence, d'une utilisation abusive, d'un accident, d'une mauvaise application ou d'une altération; (3) Les défaillances dues à une installation, une utilisation, un entretien ou un entreposage inappropriés; (4) Une application, une utilisation ou une réparation atypique ou non approuvée; (5) Les défaillances causées par la corrosion, la rouille ou d'autres matériaux étrangers au système, ou par une utilisation à une pression supérieure au maximum recommandé.

Cette garantie établit la responsabilité unique de SIMER et le recours exclusif de l'Acheteur en cas de produit défectueux.

SIMER NE POURRA TRE TENUE RESPONSABLE DE TOUT DOMMAGE INDIRECT OU CONSÉCUTIF QUEL QU'IL SOIT.

LA GARANTIE LIMITÉE SUSMENTIONNÉE EST EXCLUSIVE ET REMPLACE TOUTES LES AUTRES GARANTIES EXPRESSES ET TACITES, Y COMPRIS, MAIS SANS S'Y LIMITER, LES GARANTIES DE QUALITÉ MARCHANDE ET D'ADAPTATION À UN USAGE PARTICULIER. LA GARANTIE LIMITÉE SUSMENTIONNÉE NE DOIT PAS ÊTRE PROLONGÉE AU-DELÀ DE LA DURÉE PRÉVUE AUX PRÉSENTES.

Certains États ne permettent pas l'exclusion ou la limitation des dommages indirects ou consécutifs, ni les limitations relatives à la durée des garanties implicites. Par conséquent, il se peut que les limitations ou les exclusions ci-dessus ne s'appliquent pas.

Cette garantie procure des droits juridiques précis à l'Acheteur. Cependant, il est possible de bénéficier d'autres droits, qui varient selon l'état.

SIMER • 293 Wright Street • Delavan, WI U.S.A. 53115

Téléphone : 800 468-7867 • Télécopieur : 800 390-5351 • www.simerpump.com

Instrucciones importantes de seguridad

Guarde estas instrucciones - Este manual contiene instrucciones importantes que se deben seguir durante la instalación y el mantenimiento de las bombas de sumidero.

⚠ Este es un símbolo de alerta sobre la seguridad. Cuando vea este símbolo en su bomba o en este manual, busque para ver si hay alguna de las siguientes palabras de señal y esté alerta a la posibilidad de lesiones personales.

⚠ PELIGRO indica un riesgo que, de no evitarse, *provocará* la muerte o lesiones de gravedad.

⚠ ADVERTENCIA indica un riesgo que, de no evitarse, *podría provocar* la muerte o lesiones de gravedad.

⚠ PRECAUCIÓN indica un riesgo que, de no evitarse, *podría provocar* lesiones leves o moderadas.

AVISO hace referencia a una práctica no relacionada con una lesión física.

Lea y siga cuidadosamente todas las instrucciones de seguridad en este manual y en la bomba.

Mantenga las etiquetas de seguridad en buenas condiciones. Reemplace las etiquetas de seguridad faltantes o dañadas.

1. Infórmese sobre la aplicación, limitaciones y posibles riesgos de la bomba.
2. No usar en agua en donde haya peces. Si hay una fuga de aceite del motor puede matar a los peces.
3. Desconecte la energía eléctrica antes de efectuar reparaciones.
4. Alivie toda la presión dentro del sistema antes de reparar cualquier componente.
5. Drene toda el agua del sistema antes de efectuar reparaciones.
6. Asegure bien la tubería de descarga antes de poner en marcha la bomba. Una tubería de descarga que no esté bien segura puede moverse y causar lesiones personales y/o daños materiales.
7. Antes de cada uso, verifique si las mangueras están débiles o gastadas, asegurándose de que todas las conexiones estén firmes.
8. Inspeccione periódicamente el sumidero, la bomba y los componentes del sistema. Manténgala limpia de basuras y objetos extraños. Realice el mantenimiento de rutina como sea necesario.
9. Provea un medio de alivio de la presión para aquellas bombas cuya tubería de descarga puede bloquearse u obstruirse.
10. Seguridad Personal:
 - a. Use lentes protectores en todo momento cuando trabaje en la bomba.
 - b. Mantenga el lugar de trabajo limpio, despejado y debidamente iluminado - guarde todas herramientas y el equipo que no se use.

- c. Mantenga a los visitantes a una distancia segura del lugar de trabajo.
- d. Asegúrese de que su taller sea a prueba de niños - con candados, interruptores maestros y sacando las llaves del arrancador.

11. Cuando instale el cableado de una bomba accionada eléctricamente, siga todos los códigos eléctricos y de seguridad que correspondan.
12. Esta bomba solamente se puede usar con corriente de 115 voltios (monofásica) y está equipado con un cordón aprobado de 3 conductores y 3 clavijas, del tipo de puesta a tierra.

⚠ ADVERTENCIA **Riesgo de secousses électriques.** Pouvant causer des brûlures, voire la mort. No se ha comprobado aún si esta bomba pueda ser usada en albercas. La bomba es suministrada con un conductor de puesta a tierra y un enchufe del tipo de puesta a tierra. Asegúrese de que sea conectado solamente a un tomacorriente puesto a tierra, del tipo de puesta a tierra.

Si el tomacorriente mural es del tipo para 2 clavijas, éste debe ser reemplazado por un tomacorriente de 3 clavijas e instalado de acuerdo con los códigos y reglamentos que correspondan.

13. Todo el cableado debe ser efectuado por un electricista calificado.
14. Asegúrese de que la fuente de alimentación cumple con los requisitos de su equipo.
15. Proteja el cordón eléctrico contra objetos afilados, superficies calientes, aceite y productos químicos. Evite que se enrede. Reemplace o repare inmediatamente un cordón que esté dañado o gastado.
16. No toque un motor cuando esté funcionando. Los motores pueden funcionar a temperaturas altas.
17. No manipule la bomba o el motor de la bomba con las manos mojadas o cuando esté parado en suelo húmedo o mojado o en el agua.

⚠ ADVERTENCIA **Riesgo de choque eléctrico.** Puede provocar choque, quemadura o muerte. Puede causar choques eléctricos, quemaduras o muerte. Si su sótano tiene agua o humedad en el piso, no camine en el lugar mojado hasta que no haya cortado toda la energía eléctrica. Si la llave de paso está en el sótano, llame a la compañía eléctrica o a la compañía de electricidad para cortar el servicio a su casa o llame al departamento de bomberos de su localidad para solicitar instrucciones. Saque la bomba y repárela o reemplácela. El incumplimiento de esta advertencia puede resultar en un choque eléctrico mortal.

No levante la bomba por medio del cordón de corriente.

Advertencia de la Proposición 65 de California

⚠ ADVERTENCIA Este producto y accesorios relacionados contienen sustancias químicas reconocidas en el Estado de California como causantes de cáncer, malformaciones congénitas y otros daños al sistema reproductivo.

Especificaciones electricas y del interruptor

Rendimiento

Modelo	HP	GPH(LPH) a altura total en pies (m)				Sin caudal en al altura indicada abajo
		5pi (1,5m)	10pi (3m)	15pi (4,6m)	20pi (6,1m)	
Volumen litros (gl)/heure						
2161, 2162	1/4	2700 (10221)	2160 (8176)	1500 (5678)	-	20 pi (6,1m)
2163, 2164	1/3	3060 (11583)	2400 (9085)	1680 (6359)	660 (2498)	22 pi (6,7m)
2165, 2166	1/2	3660 (13855)	3000 (11356)	2160 (8176)	960 (3634)	22 pi (6,7m)
2168	3/4	4200 (15899)	3540 (13400)	2820 (10675)	1800 (6814)	24 pi (7,3m)

Modelo	HP	Amperios con el motor a plena carga	Require un ramal individual (amperios)	Ajuste del interruptor en pulgadas (cm)	
				Encendido	Apagado
2161	1/4	3,9	15	14 (35,6)	5 (12,7)
2162	1/4	3,9		7,5 (19,1)	3 (7,6)
2163	1/3	3,9		14 (35,6)	5 (12,7)
2164	1/3	3,9		7,5 (19,1)	3 (7,6)
2165	1/2	4,1		14 (35,6)	5 (12,7)
2166	1/2	4,1		7,5 (19,1)	3 (7,6)
2168	3/4	5,5		7,5 (19,1)	3 (7,6)

Especificaciones

Fuente de alimentación 115 V, 60 Hz
 Gama de la Temperatura
 del Líquido.....0°-21°C (32°F a 70°F)
 Requiere un ramal individual (mínimo)..... 15 Amps
 Tubería de Descarga:..... 1-1/2" NPT

AVISO No reduzca el tamaño de la tubería o de la manguera de descarga a un diámetro menor de 1-1/4". Si la descarga es demasiado pequeña, la bomba se recalentará y fallará prematuramente.

Esta bomba ha sido diseñada sólo para uso en sumideros domésticos. Bombeo solamente agua con esta bomba.

AVISO Este aparato no está diseñado como bomba de cascada o fuente, ni para aplicaciones con agua salada o de mar. El uso con cascadas, fuentes, agua salada o de mar anulará la garantía.

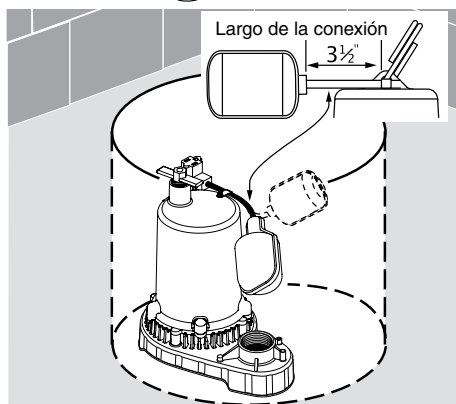
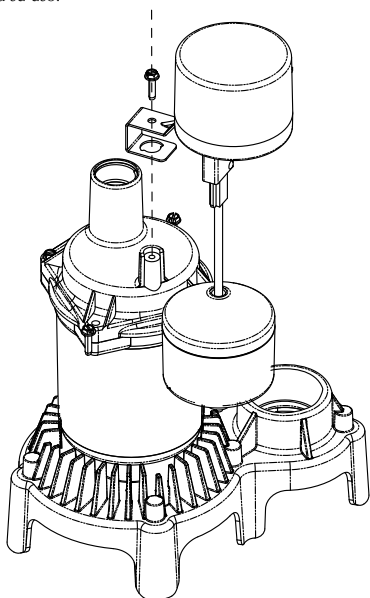
No usar en donde hay recirculación de agua.

No ha sido diseñado para usar como desagüador de piscinas de natación.

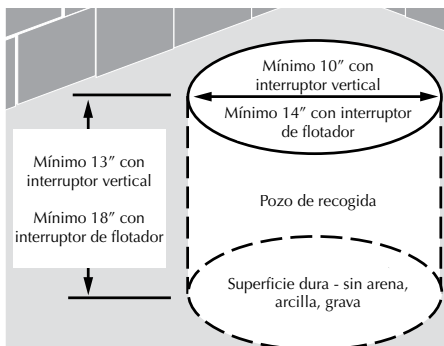
AVISO Es importante leer este Manual del Propietario con información sobre la instalación, la operación y la seguridad.

Instalación del interruptor de flotador

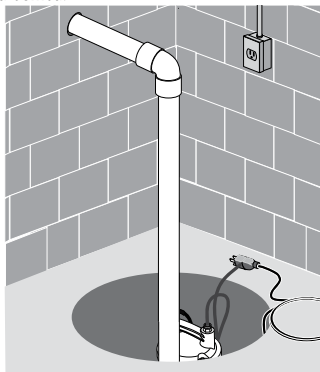
Los modelos que están equipados con interruptores de flotador verticales necesitan una pequeña labor de montaje. Los modelos con conmutador a flotador anclado están listos para su uso.



Instalación



1. Instale la bomba en un foso de recogida con un diámetro mínimo de 10" (254 mm.) para los modelos con interruptores verticales y de 14" (356 mm.) para los modelos con interruptor de flotador anclado. La profundidad del sumidero debe ser de 18" (457 mm.) para los modelos anclados y de 13" (330 mm.) para los modelos con interruptores verticales. Construya el foso de recogida de losetas, hormigón, acero o plástico. Confirme los materiales aprobados y la instalación adecuada requeridos por las normas locales.
2. Instale la bomba en el pozo de manera que el mecanismo de operación del interruptor tenga el mayor juego posible.
3. La bomba no debe ser instalada en arcilla, tierra o superficies arenosas. Saque las piedritas y arenillas que puedan haber en el pozo del sumidero pues pueden obstruir la bomba. Mantenga limpio el filtro de admisión de la bomba.



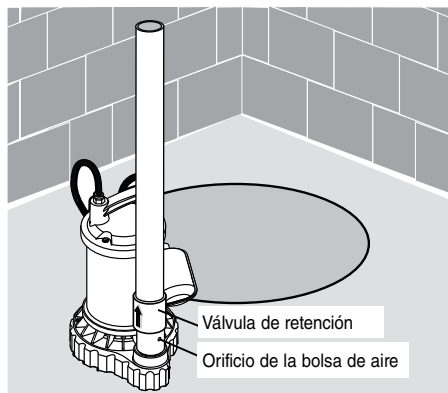
AVISO No use obturador de juntas de tubería en las tuberías de plástico. El obturador de juntas de tubería puede dañar el plástico.

4. Instale la tubería de descarga. Use tuberías de plástico rígido y envuelva las roscas con cinta sellante de PTFE para roscas de tubería. Enrosque la tubería en la bomba a mano, y después apriétela 1-1/2 vueltas.

⚠ PRECAUCIÓN **Risque d'inondation.** Peut causer le mauvais fonctionnement ou une panne prématurée de la pompe. Si se usa una manguera de descarga flexible, asegúrese de que la bomba esté bien immobilizada para que no pueda moverse dentro del sumidero. Si la bomba no está bien firme puede moverse y causar interferencia con el interruptor e impedir que la bomba se ponga en marcha o se detenga.

5. Para reducir el ruido y las vibraciones del motor, se puede conectar un pedazo corto de manguera de goma de un diámetro exterior de 47,6 mm (1 7/8"), (por ej. manguera de radiador) a la tubería de descarga cerca de la bomba, utilizando abrazaderas convenientes.
6. Instale una válvula de retención en la línea o una válvula de retención dentro de la bomba para evitar que el flujo retroceda a través de la bomba cuando la bomba está apagada.

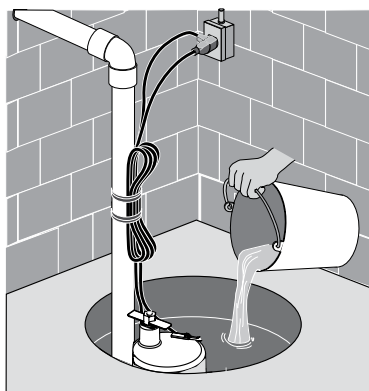
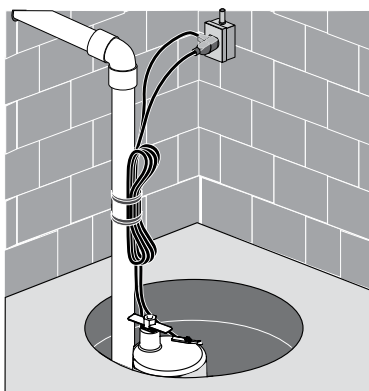
AVISO Si su válvula de retención no viene equipada con un orificio de purga de aire para impedir la creación de bolsas de aire en la bomba, perforo un orificio de 1/8" (3.2 mm) en la tubería de descarga, justo por encima del punto en que la tubería de descarga se atornilla a la descarga de la bomba. Verifique que el orificio quede debajo de la línea de agua y de la válvula de retención para impedir la creación de bolsas de aire.



7. Fuente de Alimentación: La bomba está diseñada para funcionar con corriente de 115 V., 60 Hz. y requiere un ramal individual mínimo de 15 amps. Tanto la bomba como el interruptor vienen con juegos de cordones de 3 conductores con enchufes del tipo de puesta a tierra. El enchufe del interruptor se enchufa directamente en el tomacorriente y el enchufe de la bomba se enchufa en el extremo opuesto del enchufe del interruptor.

⚠ ADVERTENCIA **Risque de secousses électriques.**

Pouvant causer des brûlures, voire la mort. La bomba siempre debe ser puesta a tierra en una tierra eléctrica adecuada tales como una tubería en el agua que esté puesta a tierra o un conducto metálico debidamente puesto a tierra o un sistema



de alambre de puesta a tierra. No corte la clavija redonda de puesta a tierra.

8. Si la tubería de descarga de la bomba está expuesta a temperaturas exteriores inferiores al punto de congelación, la porción expuesta de la tubería debe ser instalada de manera que toda agua que quede en la tubería se drene por gravedad hacia la descarga. El incumplimiento de esto puede causar que el agua atrapada en la tubería de descarga se congele, lo cual podría resultar en daño para la bomba.
9. Después de haber instalado la tubería, la válvula de retención y el conmutador a flotador, la unidad está lista para funcionar.
10. Verifique el funcionamiento de la bomba llenando el sumidero con agua y observando el funcionamiento de la bomba por un ciclo completo. Para las graduaciones del interruptor, consulte el gráfico de "Especificaciones Eléctricas y del Interruptor" que aparece en la página 14.

⚠ PRECAUCIÓN **Risque d'inondation.** Peut causer le mauvais fonctionnement ou une panne prématurée de la pompe. El incumplimiento de esta verificación del funcionamiento puede resultar en funcionamiento impropio, falla prematura e inundación.

Funcionamiento

⚠ ADVERTENCIA Riesgo de secoussees eléctricas.

Pouvant causer des brûlures, voire la mort. No manipule la bomba o el motor de la bomba con las manos mojadas o cuando esté parado en suelo húmedo, mojado o en el agua.

1. La junta del eje depende del agua para su lubricación. No haga funcionar la bomba a menos que esté sumergida en agua ya que la junta puede dañarse si se hace trabajar en seco.
2. El motor está equipado con un protector contra sobrecargas térmicas de reposición automática. Si la temperatura en el motor se eleva indebidamente, el interruptor puede cortar toda la energía antes de que se produzca daño al motor. Cuando el motor se ha enfriado suficientemente, el interruptor se repositonará automáticamente y el motor volverá a

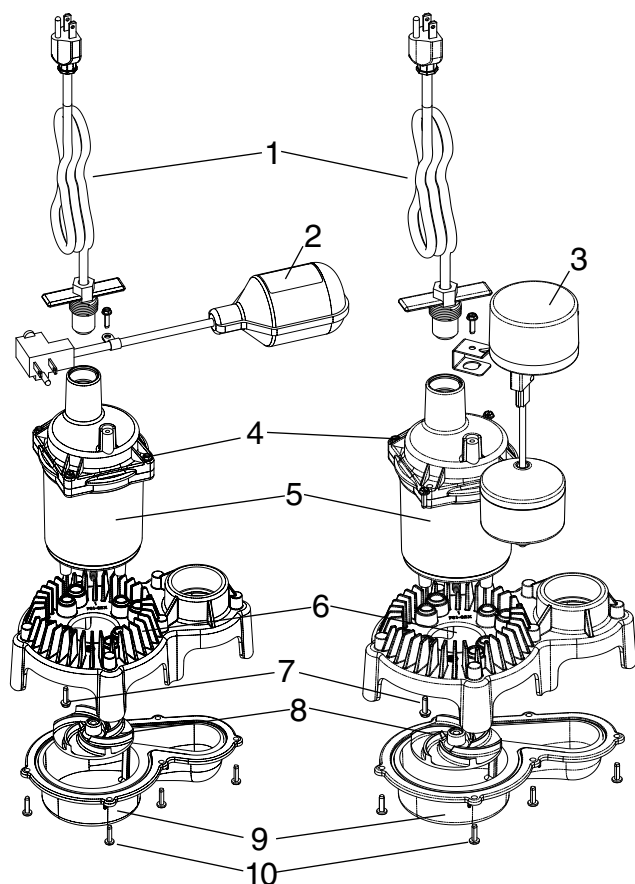
ponerse en marcha. Si el protector se desengancha en forma continua, la bomba debe ser sacada y revisada para verificar cual es el problema. Baja tensión, cables de alargue largos, impulsor atascado, muy baja altura de aspiración o elevación o una tubería de descarga tapada o congelada, etc. pueden hacer que se pase por el ciclo.

3. La bomba no saca toda el agua. La bomba no aspirará toda el agua. Si se está operando la bomba en forma manual y de repente no sale agua de la manguera de descarga, apague la unidad inmediatamente. Probablemente el nivel del agua es muy bajo y la unidad ha dejado de cebar.

⚠ ADVERTENCIA Riesgo de secoussees eléctricas.

Pouvant causer des brûlures, voire la mort. Antes de intentar revisar porque la bomba ha dejado de funcionar, desconecte la energía eléctrica.

Symptôme	Cause(s) probable(s)	Mesure corrective
La bomba no arranca ni funciona	La bomba no está enchufada	Verifique que la bomba esté enchufada en un tomacorriente adecuado.
	El nivel de agua está demasiado bajo	El interruptor de la bomba no se conecta a menos que el agua cubra la parte superior de la bomba.
	Un fusible se ha quemado	Si el fusible está quemado, sustitúyalo con un fusible de la capacidad correcta.
	El voltaje de línea es demasiado bajo	Si el voltaje está por debajo del mínimo recomendado verifique en el edificio el diámetro del alambre desde el interruptor principal. Si es el correcto, comuníquese con la empresa de electricidad o la autoidad hidroeléctrica.
	El motor está defectuoso	Reemplace la bomba.
	El interruptor del flotante está defectuoso	Reemplace el interruptor del flotante.
	El rodete no gira	Si el rodete no gira, saque el cuerpo inferior de la bomba y ubique el lugar donde el rodete se trababa.
	El brazo del flotador es demasiado largo	Acorte el brazo del flotante.
La bomba se pone en marcha y se detiene con demasiada frecuencia	El movimiento del flotante está obstruido	Retire las obstrucciones.
	Hay retroceso de agua de la tubería	Instale un válvula de retención.
La bomba no se desconecta	El interruptor del flotante está fallado	Reemplace el interruptor del flotante.
	Interruptor defectuoso del flotante	Reemplace el interruptor del flotante.
	Descarga obstruida (obstáculos o hielo en las tuberías)	Retire la bomba y limpie la bomba y la tubería.
	El brazo del flotante es demasiado largo	Acorte el brazo del flotante.
	El movimiento del flotante está obstruido	Retire las obstrucciones.
La bomba funciona pero el caudal es reducido o nulo	Tamiz de admisión restringido	Saque la bomba y limpie el tamiz de admisión y el impulsor.
	El voltaje de línea es baja	Si el voltaje es inferior al mínimo recomendado, verifique el diámetro del alambre que va desde el interruptor principal en el edificio. Si es el correcto comuníquese con la empresa de electricidad.
	Algo se ha quedado trabado en el rodete	Saque la bomba y limpie el impulsor
	el rodete tiene piezas desgastadas o defectuosas	Limpie el rodete si está taponado, en caso contrario reemplace la bomba.
	Válvula de retención instalada sin el orificio de purga	Perfore un agujero de 1/16 a 1/8 pulg. (1,6 a 2 mm) de diámetro entre la descarga de la bomba y la válvula de retención (1-2" por encima del punto en que la tubería de descarga se atornilla a la descarga de la bomba y por debajo de la línea de agua).
	Tamiz de admisión restringido	Saque la bomba y limpie el tamiz de admisión.
Verifique la válvula no esté instalada hacia atrás o invertida.	Asegúrese de que la válvula de retención esté debidamente instalada.	



Serie de plastico

Modelo	Impulsor	Voluta (superior)
2161	PS5-285	PS1-325
2162	PS5-285	PS1-325
2163	PS5-285	PS1-327
2164	PS5-285	PS1-327
2165	PS5-286	PS1-327
2166	PS5-286	PS1-327
2168	PS5-287	PS1-327

Ref.	Descripción	Cant.	2161, 2163, 2165	2162, 2164, 2166, 2168
1	Tornillo de abrazadera de cordón	1	PS117-54-TB	
2	Unidad del interruptor de flotador anclado	1	FP18-15BD	-
3	Unidad del interruptor de flotador vertical	1	-	FPS17-66
4	Tornillo # 8-32 x 7/8 "	4	•	
5	Motor	1	**	
6	Voluta (superior)	1	Ver Tabla	
7	Tornillo # 8-32 x 1/2 "	5	•	
8	Impulsor	1	Ver Tabla	
9	Voluta (inferior)	1	PS1-326	
10	Screw # 8-5/8 hilo "tornillo de hoja / metal" gruesa	6	•	

**Si el motor está defectuoso, reemplace la bomba.

• Adquirir a nivel local

Retener el recibo original a fin de determinar la elegibilidad para la garantía

Garantía limitada

Esta Garantía Limitada entra en vigor el 1 de junio de 2011 y sustituye toda garantía sin fecha o garantía con fecha anterior al 1 de junio de 2011.

SIMER le garantiza al comprador consumidor original (el "Comprador" o "Usted") de sus productos, que éstos estarán libres de defectos en materiales y en mano de obra por un período de doce (12) meses, a partir de la fecha de la compra original del consumidor. Si dentro de los doce (12) meses a partir de la fecha de la compra inicial del consumidor, Será reparado o reemplazado a opción de la SIMER, sujeto a los términos y condiciones establecidos en la presente. Tome nota de que esta garantía limitada cubre defectos de manufactura solamente y no el desgaste común. Todos los aparatos mecánicos periódicamente necesitan repuestos y servicio para un funcionamiento correcto. Esta garantía limitada no cubre las reparaciones que se realicen cuando el uso normal haya agotado la vida útil de una pieza o del aparato.

Es necesario retener el recibo de compra original y la etiqueta de información de la garantía a fin de determinar la elegibilidad para la garantía. La elegibilidad se basa en la fecha de compra del producto original - no en la fecha del reemplazo bajo la garantía. La garantía es limitada y cubre solamente la reparación o el reemplazo del producto original adquirido, no del producto reemplazado (es decir que se permite un reemplazo por compra bajo la garantía). El comprador pagará todos los costos de remoción, instalación, mano de obra y envío necesarios, así como todo costo adicional asociado.

Si necesita piezas o resolución de problemas, NO regrese el producto a la tienda minorista. Llame el Servicio a la Clientela de SIMER al 800-468-7867.

Las reclamaciones hechas bajo esta garantía se realizarán mediante la devolución del producto (a excepción de las bombas cloacales - ver a continuación) al concesionario de venta al público en donde se haya adquirido inmediatamente después de haber descubierto cualquier presunto defecto. SIMER entonces tomará la medida correctiva tan pronto como sea razonablemente posible. No se aceptarán solicitudes de servicio, si se reciben más de 30 días después del vencimiento de esta garantía. La garantía no es transferible y no cubre productos utilizados en aplicaciones comerciales o de alquiler.

Bombas cloacales

NO devuelva una bomba cloacal (que se haya instalado) a su tienda minorista. Comuníquese con el Departamento de Atención al Cliente de SIMER. Las bombas cloacales que hayan estado en servicio y se hayan removido pueden representar un peligro de contaminación.

Si su bomba cloacal ha fallado:

- Use guantes de caucho cuando manipule la bomba;
- Para los fines de la garantía, devuelva la etiqueta del cordón de la bomba y el recibo de compra original a la tienda minorista;
- Descarte la bomba cumpliendo con todas las normas locales que correspondan para su eliminación.

Excepciones para la garantía limitada de doce (12) meses

Producto	Período de garantía
BW85P, M40P	90 días
2115, 2300, 2310, 2330, 2883, 2886, 2943, 2955, 2956, 2957, A5300, A5500	2 años
Bombas de pozo sumergibles de 4", 2945, 2958, 2975PC, 3075SS, 3963, 3984, 3995, 4185, 4185P, 4186, 4188, 4190	3 años
Tanque precargado del sistema de agua, 3985, 3986, 3988, 3989, 5910, 5950, 5955, 5965, 5975	5 años

Términos y condiciones generales; Limitación de recursos

Usted deberá pagar por todos los gastos de mano de obra y de envío necesarios para reemplazar el producto cubierto por esta garantía. Esta garantía no se aplicará en las siguientes situaciones: (1) caso de fuerza mayor (2) productos que, a sólo juicio de SIMER hayan sido sometidos a negligencia, abuso, accidente, mala aplicación, manejo indebido o alteraciones; (3) fallas debido a instalación, operación, mantenimiento o almacenamiento inadecuados; (4) aplicaciones, usos o servicios que no sean normales o aprobados; (5) fallas provocadas por corrosión, herrumbre u otros materiales extraños en el sistema, o una operación a presiones que excedan los máximos recomendados.

Esta garantía establece la única obligación de SIMER y el recurso exclusivo del Comprador con respecto a los productos defectuosos.

SIMER NO SE HARÁ RESPONSABLE DE NINGÚN DAÑO CONSECUENTE, INCIDENTAL O CONTINGENTE.

LAS GARANTÍAS LIMITADAS QUE ANTECEDEN SON EXCLUSIVAS Y EN LUGAR DE TODA OTRA GARANTÍA EXPLÍCITA E IMPLÍCITA, INCLUYENDO, PERO SIN LIMITARSE A LAS GARANTÍAS IMPLÍCITAS DE COMERCIABILIDAD E IDONEIDAD PARA UN FIN ESPECÍFICO. LAS GARANTÍAS LIMITADAS QUE ANTECEDEN NO SE EXTENDERÁN MÁS ALLÁ DEL PERÍODO DE DURACIÓN INDICADO EN LA PRESENTE.

Algunos Estados no permiten la exclusión o limitación de daños incidentales o consecuentes o de limitaciones de tiempo sobre garantías implícitas, de modo que es posible que las limitaciones o exclusiones que preceden no correspondan en su caso. Esta garantía le otorga derechos legales específicos y es posible que Usted también tenga otros derechos que pueden variar de un Estado al otro.

SIMER • 293 Wright Street • Delavan, WI U.S.A. 53115
Teléfono: 800-468-7867 • Fax: 800-390-5351 • www.simerpump.com

